



US00D721121S

(12) **United States Design Patent**
Oh

(10) **Patent No.:** **US D721,121 S**
(45) **Date of Patent:** **** Jan. 13, 2015**

(54) **CAMERA LENS**

(71) Applicant: **Samsung Electronics Co., Ltd.**,
Suwon-si (KR)

(72) Inventor: **San-Hui Oh**, Seoul (KR)

(73) Assignee: **Samsung Electronics Co., Ltd.**,
Suwon-si (KR)

(**) Term: **14 Years**

(21) Appl. No.: **29/473,821**

(22) Filed: **Nov. 26, 2013**

(30) **Foreign Application Priority Data**

Jun. 14, 2013 (KR) 30-2013-0030761

(51) **LOC (10) Cl.** **16-05**

(52) **U.S. Cl.**
USPC **D16/219**

(58) **Field of Classification Search**

CPC G03B 17/02; G03B 19/04; G03B 17/56;
G03B 17/04; G03B 15/03; G03B 17/14;
H04N 5/2251; H04N 5/2252; H04N 5/2253;
H04N 5/2254; G02B 7/02; G02B 7/04;
G02B 7/14

USPC D16/134, 136, 200, 202–205, 218, 219,
D16/235, 242; 348/373–376; 359/826–828;
396/529–532, 535, 539–541

See application file for complete search history.

(56) **References Cited**

U.S. PATENT DOCUMENTS

D562,862 S * 2/2008 Yasutomi D16/134
D562,863 S * 2/2008 Yasutomi D16/134
D562,864 S * 2/2008 Yasutomi D16/134

D562,865 S * 2/2008 Yasutomi D16/134
D566,158 S * 4/2008 Yasutomi D16/219
D649,993 S * 12/2011 Ding D16/134
D666,655 S * 9/2012 Bryant D16/136
8,414,204 B2 * 4/2013 Kim 396/530
D682,342 S * 5/2013 Suzuki D16/235
D698,847 S * 2/2014 Tainaka D16/219
D704,759 S * 5/2014 Park et al. D16/219
D704,760 S * 5/2014 Jung et al. D16/219
D709,119 S * 7/2014 Kim et al. D16/219

* cited by examiner

Primary Examiner — Adir Aronovich

Assistant Examiner — Ramzi Almatrahi

(74) *Attorney, Agent, or Firm* — NSIP Law

(57) **CLAIM**

The ornamental design for a camera lens, as shown and described.

DESCRIPTION

FIG. 1 is a front perspective view of a camera lens, showing my new design;

FIG. 2 is a front view thereof;

FIG. 3 is a rear view thereof;

FIG. 4 is a left-side view thereof;

FIG. 5 is a right-side view thereof;

FIG. 6 is a top view thereof;

FIG. 7 is a bottom view thereof;

FIG. 8 is an exploded front perspective view thereof; and,

FIG. 9 is an enlarged view of the encircled portion as shown in FIG. 1.

The broken lines are for illustrative purposes only and form no part of the claimed design.

The dot-dash broken lines encircling a portion of the claimed design that is illustrated in an enlargement forms no part of the claimed design.

1 Claim, 6 Drawing Sheets

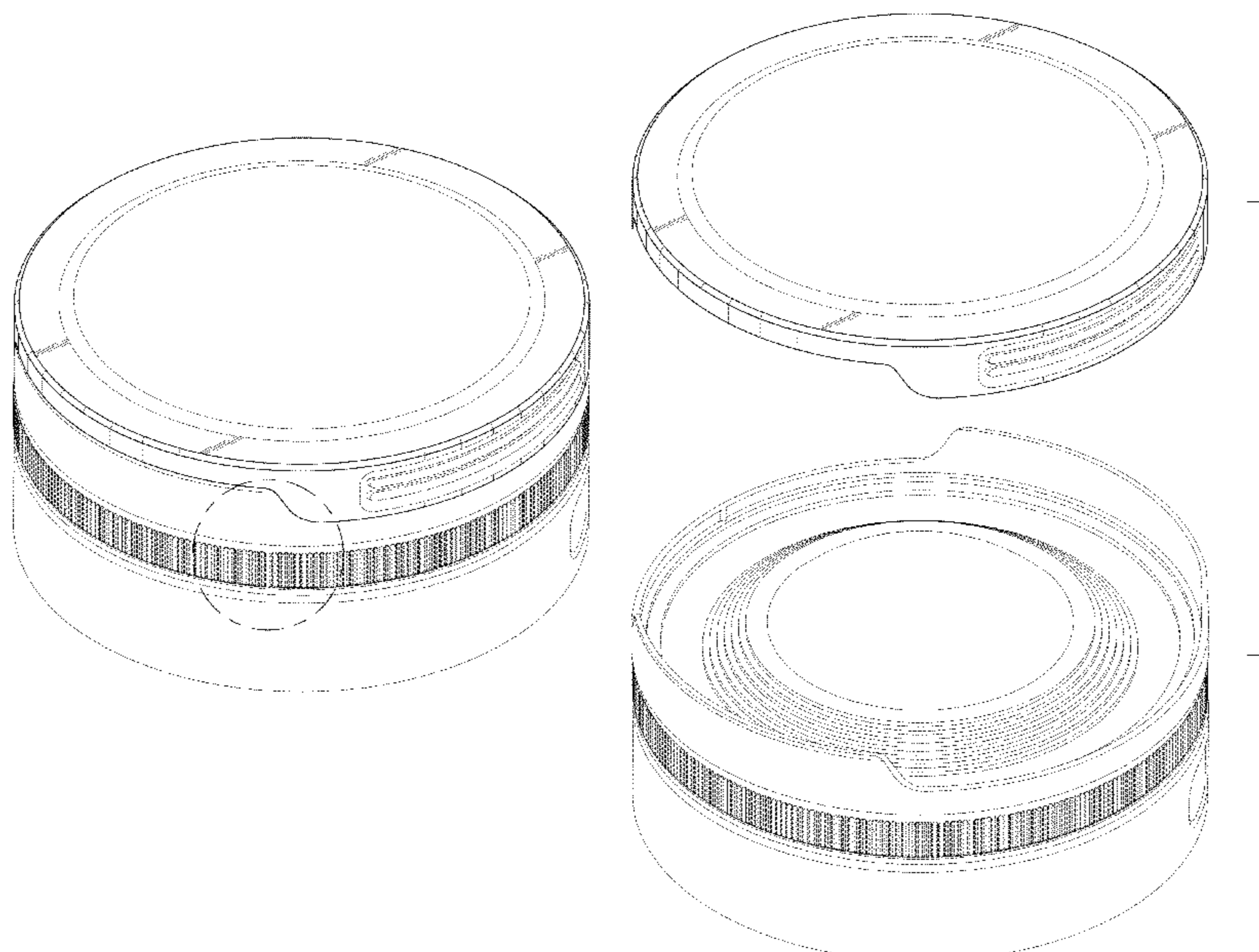


FIG.1

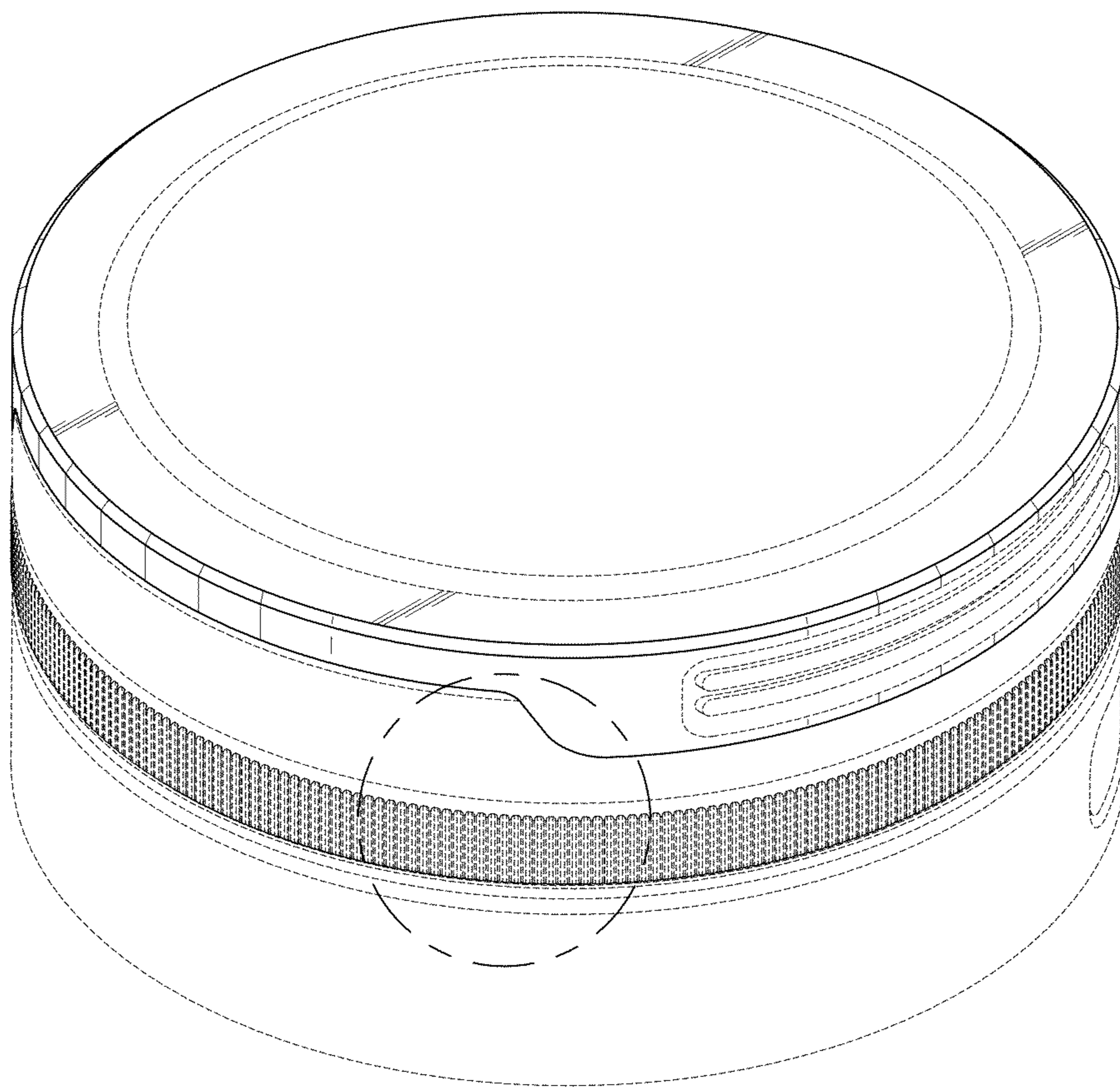


FIG.2

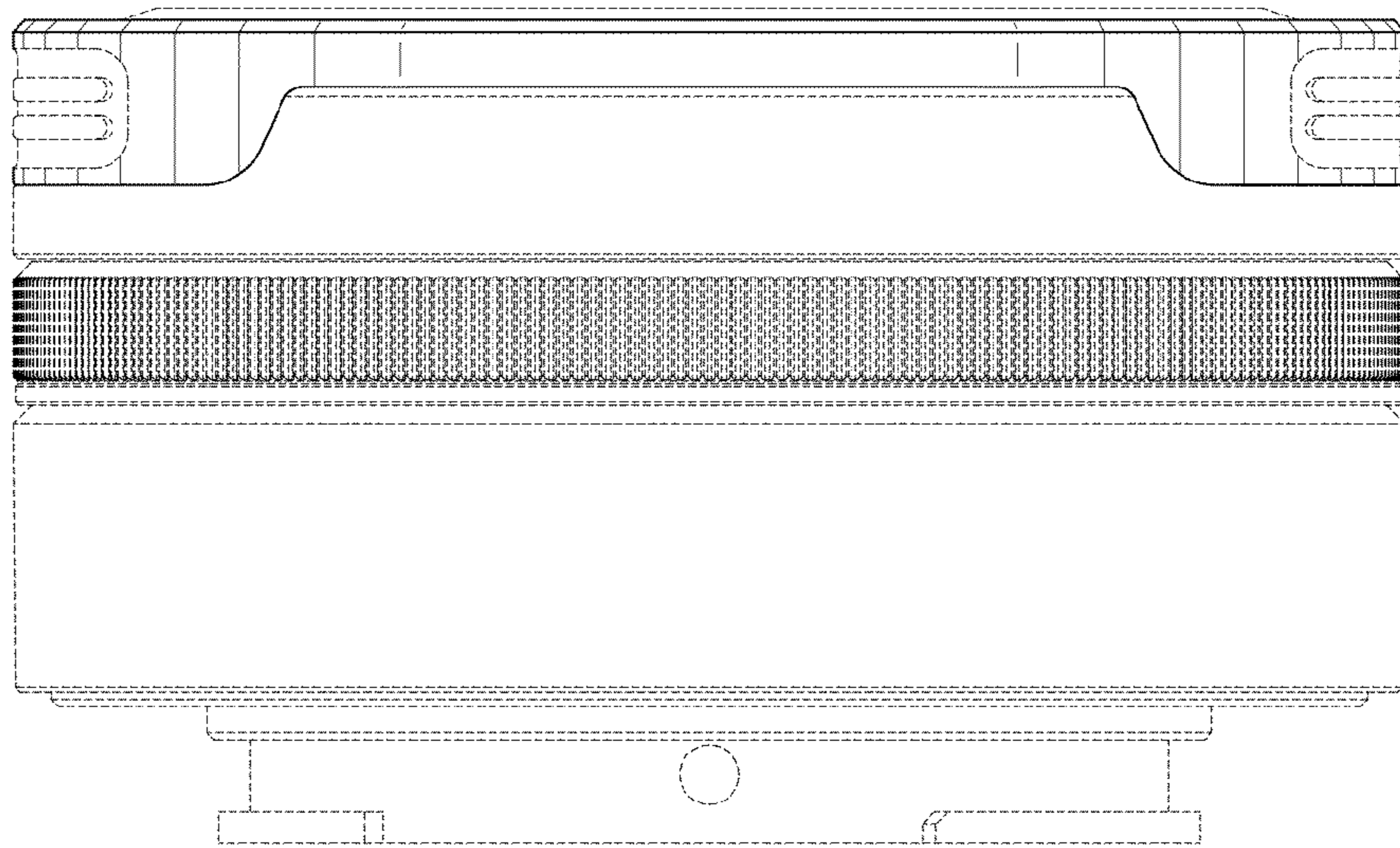


FIG.3

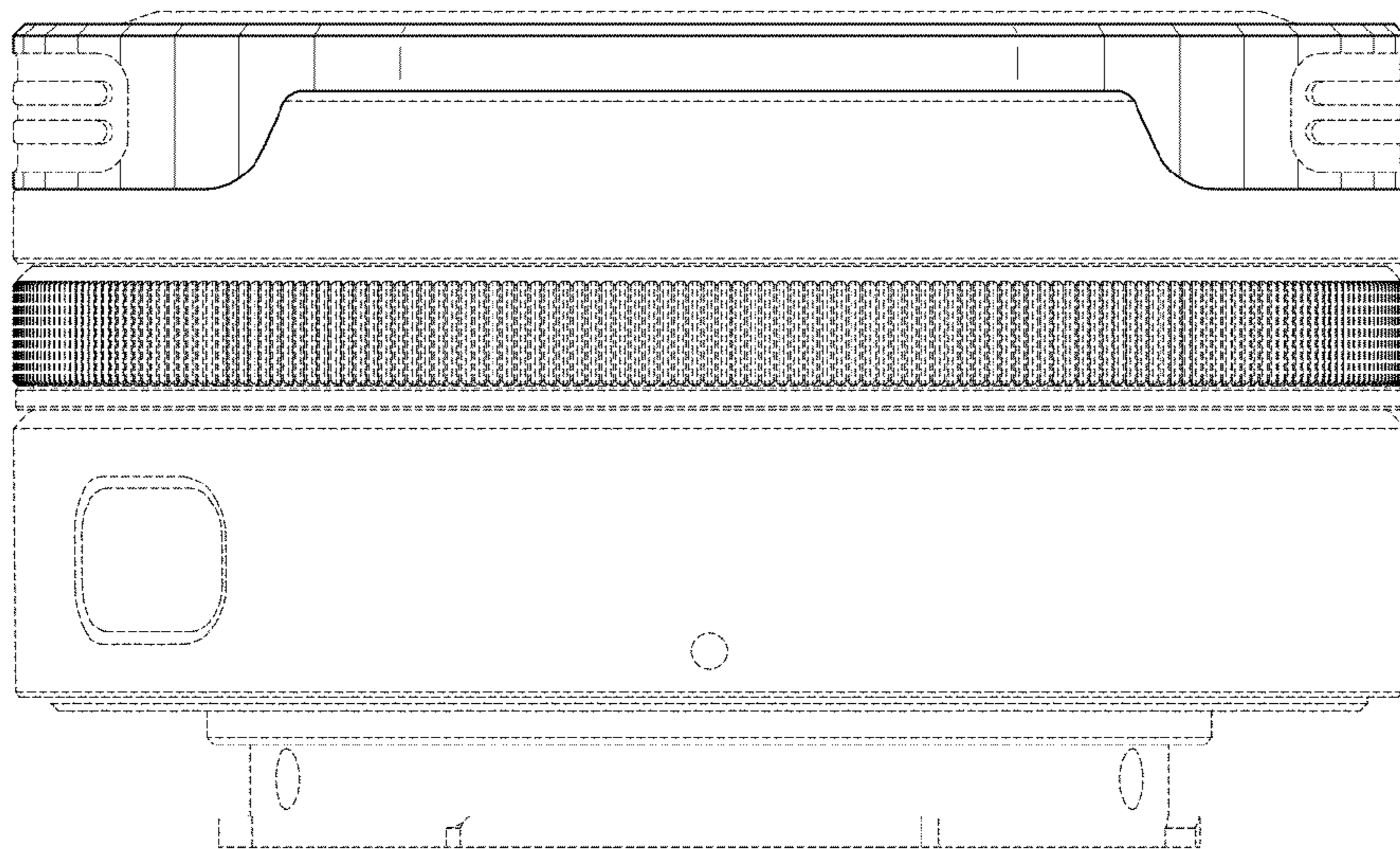


FIG.4

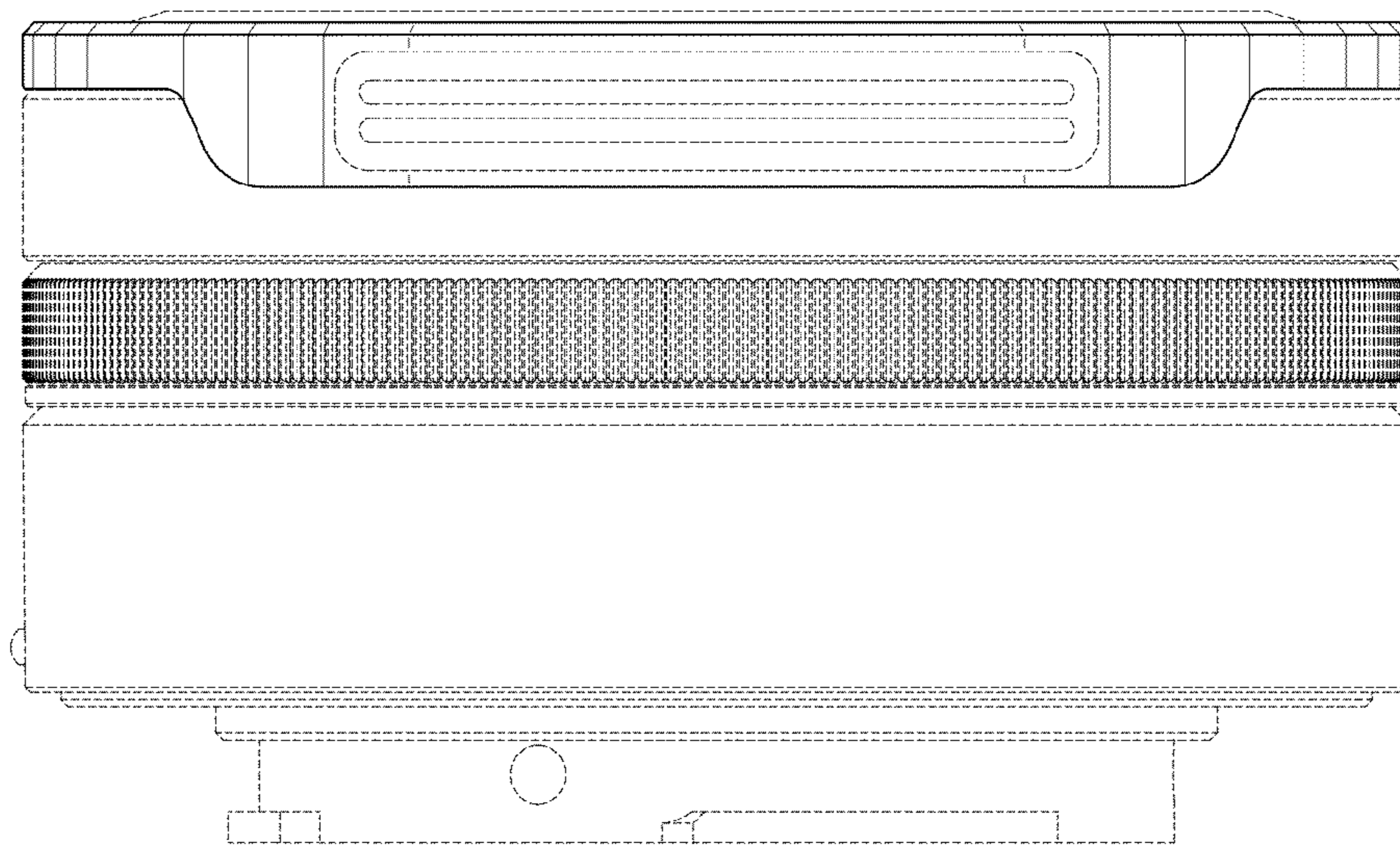


FIG.5

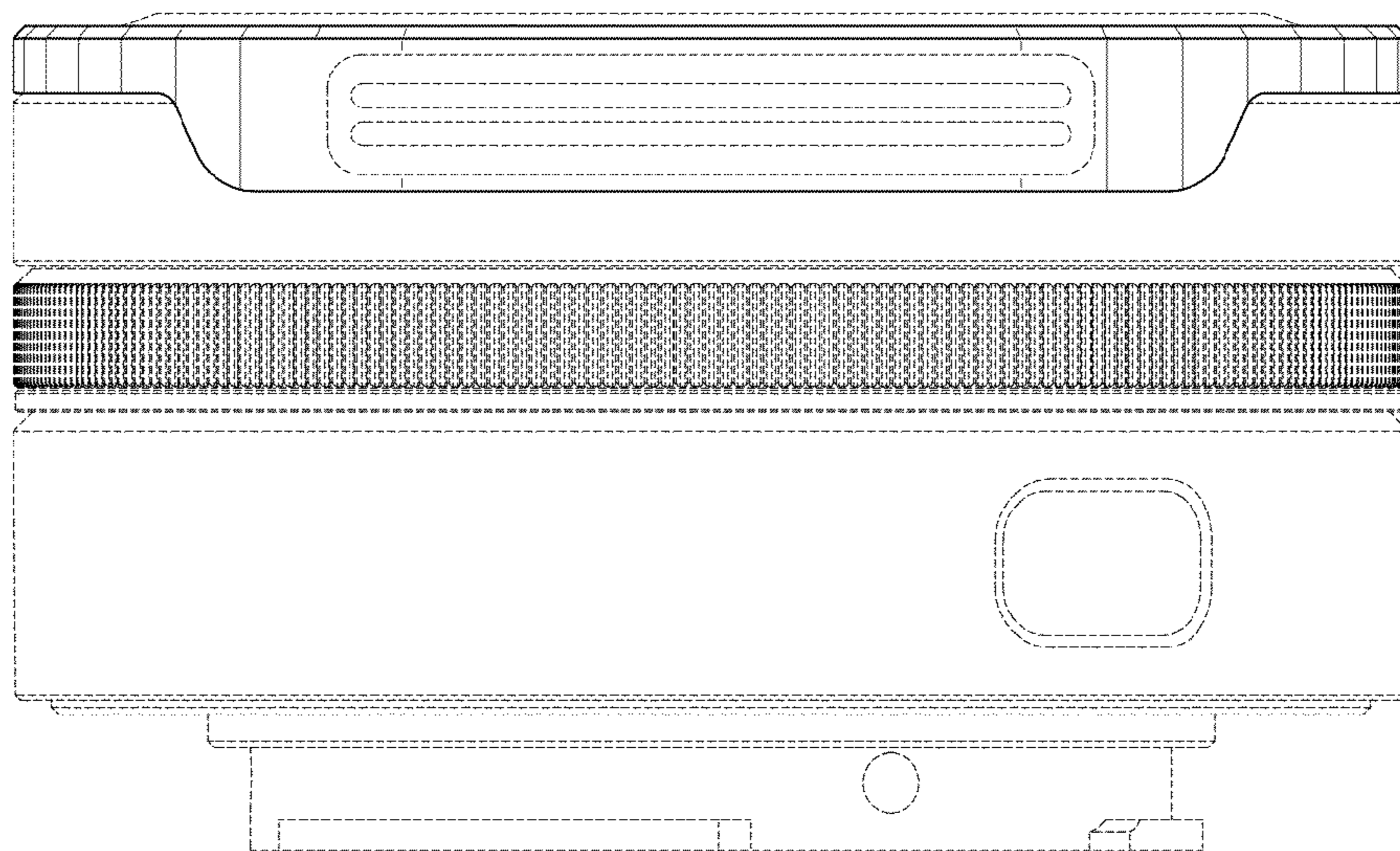


FIG.6

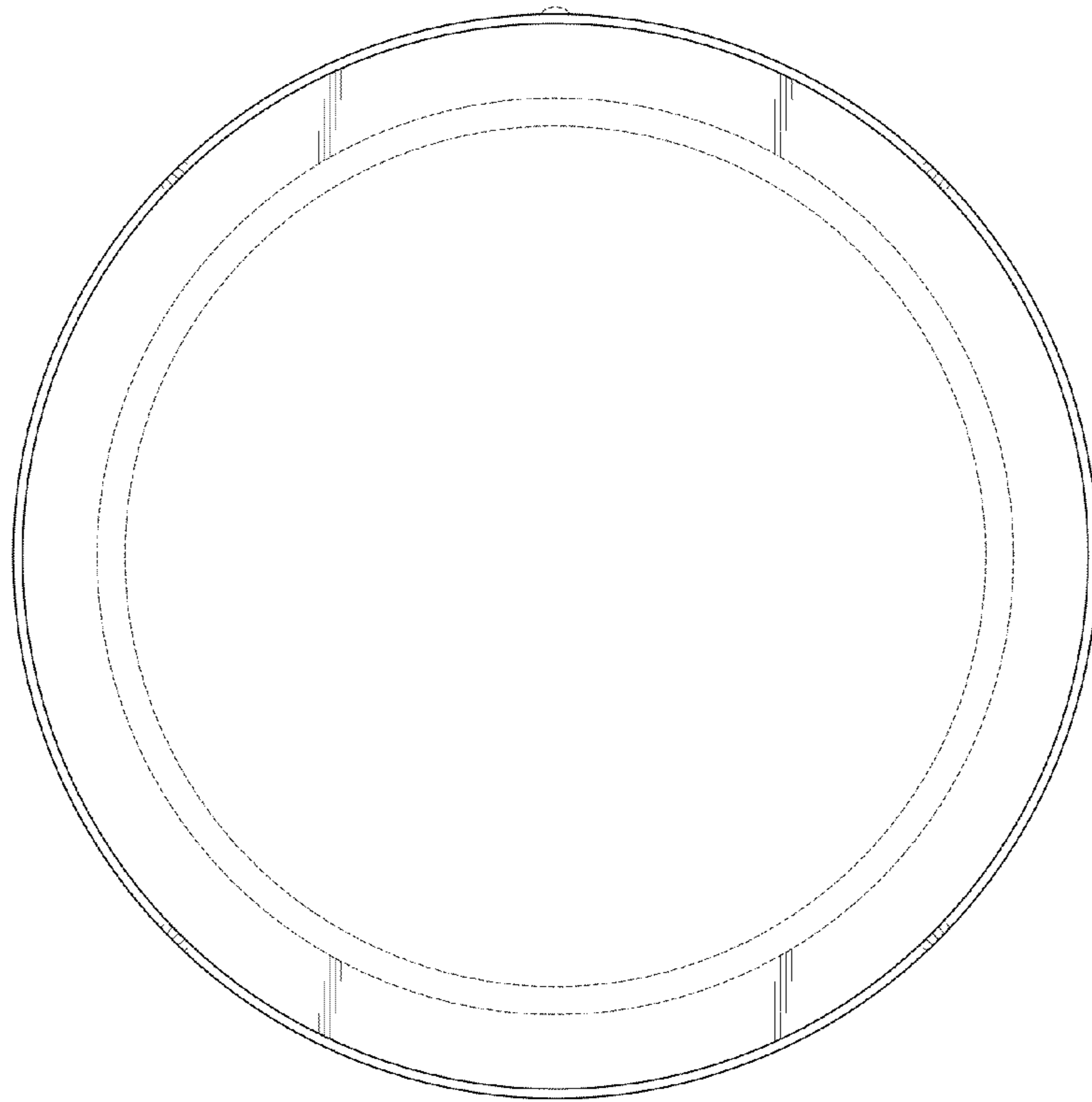


FIG.7

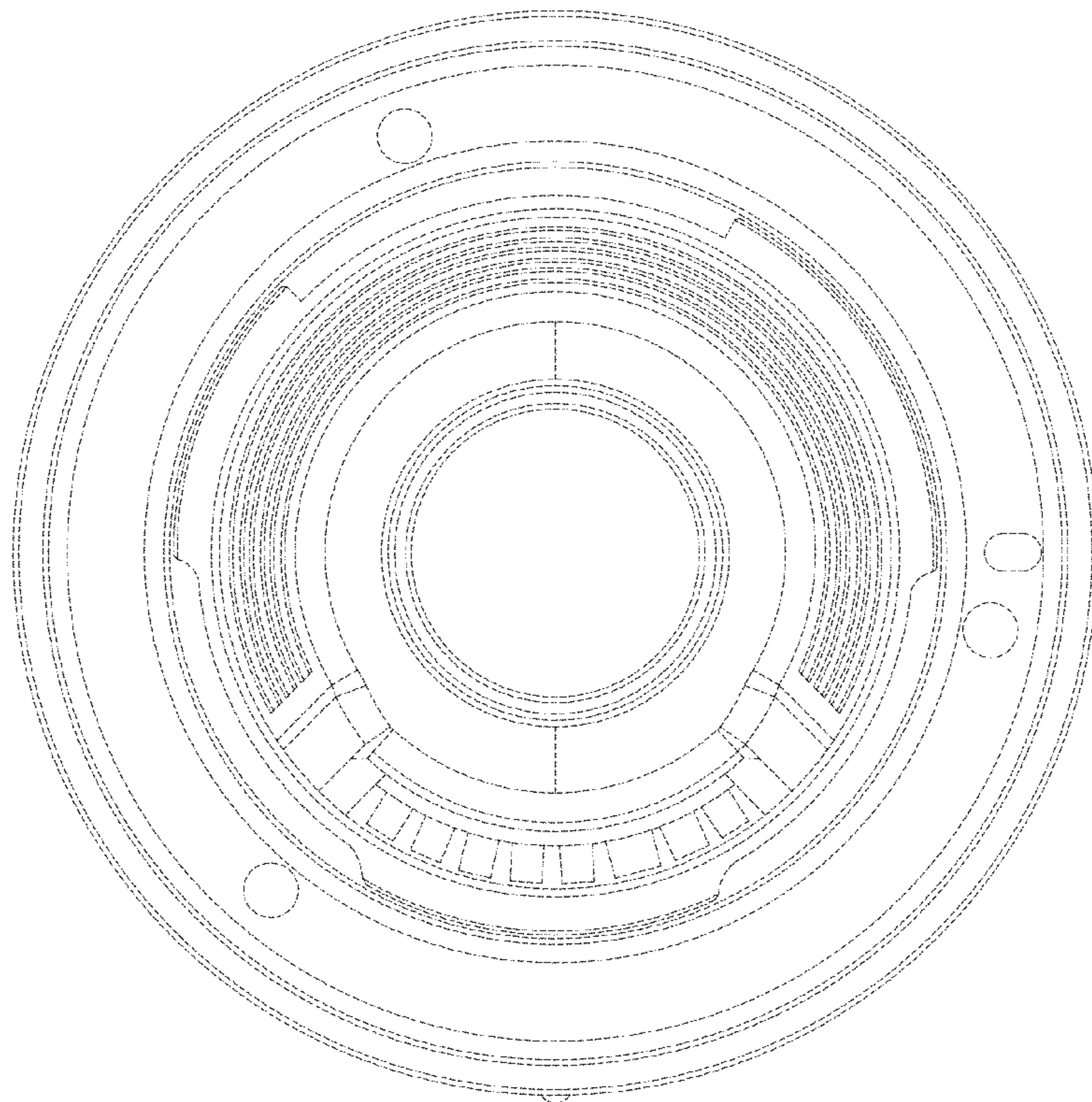


FIG.8

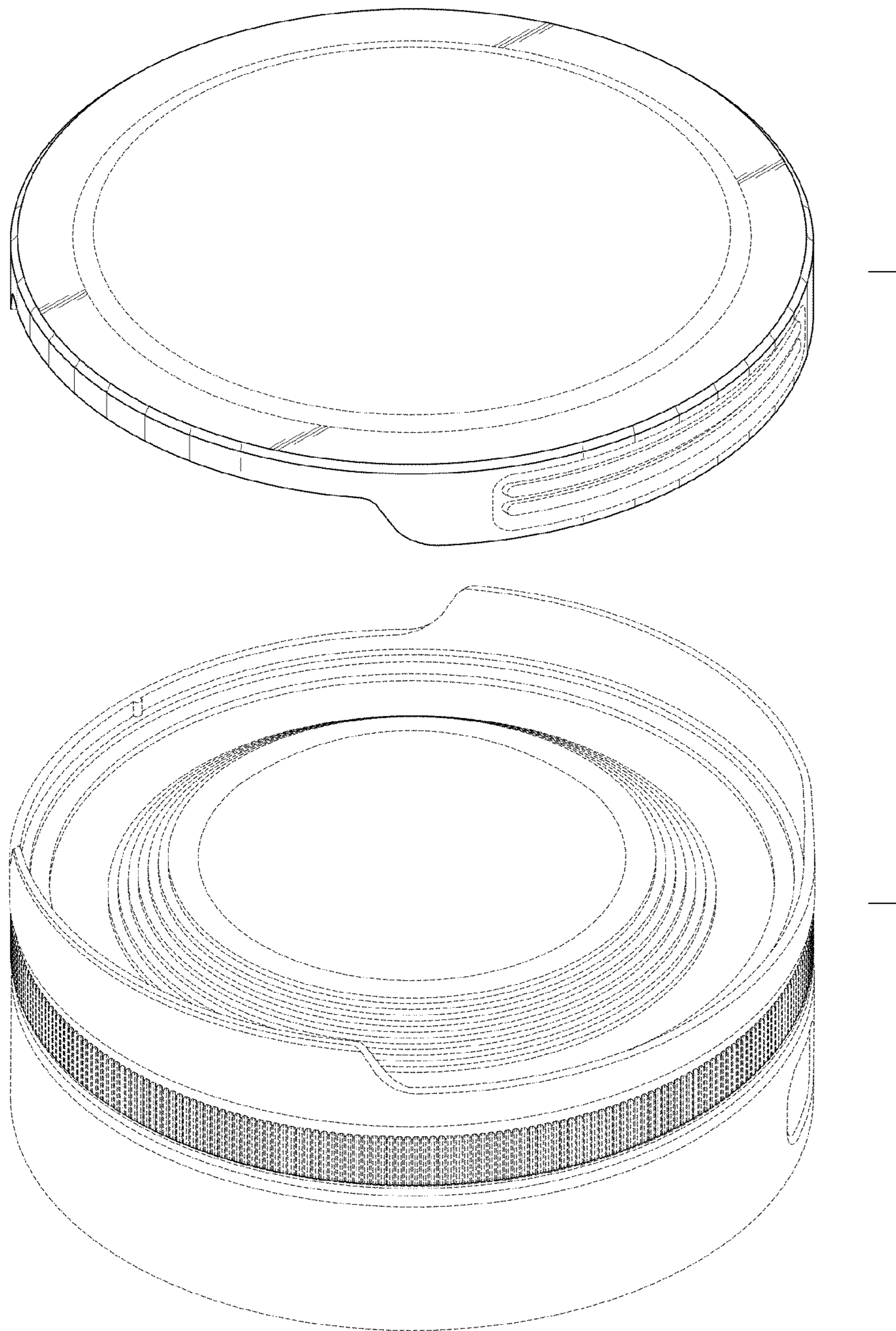


FIG.9

