



US00D721120S

(12) **United States Design Patent**
Oh

(10) **Patent No.:** **US D721,120 S**

(45) **Date of Patent:** **** Jan. 13, 2015**

(54) **CAMERA LENS**

(71) Applicant: **Samsung Electronics Co., Ltd.**,
Suwon-si (KR)

(72) Inventor: **San-Hui Oh**, Seoul (KR)

(73) Assignee: **Samsung Electronics Co., Ltd.**,
Suwon-si (KR)

(**) Term: **14 Years**

(21) Appl. No.: **29/473,814**

(22) Filed: **Nov. 26, 2013**

(30) **Foreign Application Priority Data**

Jun. 14, 2013 (KR) 30-2013-0030762

(51) **LOC (10) Cl.** **16-05**

(52) **U.S. Cl.**
USPC **D16/219**

(58) **Field of Classification Search**

CPC G03B 17/02; G03B 19/04; G03B 17/56;
G03B 17/04; G03B 15/03; G03B 17/14;
H04N 5/2251; H04N 5/2252; H04N 5/2253;
H04N 5/2254; G02B 7/02; G02B 7/04;
G02B 7/14

USPC D16/134, 136, 200, 202–205, 218, 219,
D16/235, 242; 348/373–376; 359/826–828;
396/529–532, 535, 539–541

See application file for complete search history.

(56) **References Cited**

U.S. PATENT DOCUMENTS

4,063,264 A * 12/1977 Ando et al. 396/531
D446,232 S * 8/2001 Watanabe D16/134
D548,261 S * 8/2007 Nakamura D16/219
D562,862 S * 2/2008 Yasutomi D16/134
D562,863 S * 2/2008 Yasutomi D16/134
D562,865 S * 2/2008 Yasutomi D16/134

D566,158 S * 4/2008 Yasutomi D16/219
7,625,144 B2 * 12/2009 Kranz et al. 396/529
D682,342 S * 5/2013 Suzuki D16/235
D696,709 S * 12/2013 Sato D16/219
D704,759 S * 5/2014 Park et al. D16/219
D704,760 S * 5/2014 Jung et al. D16/219
D709,119 S * 7/2014 Kim et al. D16/219

* cited by examiner

Primary Examiner — Adir Aronovich

Assistant Examiner — Ramzi Almatrahi

(74) *Attorney, Agent, or Firm* — NSIP Law

(57) **CLAIM**

The ornamental design for a camera lens, as shown and described.

DESCRIPTION

FIG. 1 is a front perspective view of a camera lens, showing my new design;

FIG. 2 is a front view thereof;

FIG. 3 is a rear view thereof;

FIG. 4 is a left-side view thereof;

FIG. 5 is a right-side view thereof;

FIG. 6 is a top view thereof;

FIG. 7 is a bottom view thereof;

FIG. 8 is an exploded front perspective view thereof, in which a top portion for the camera lens is shown in broken lines to illustrate an environment;

FIG. 9 is a front perspective view of FIG. 8, in which the top portion shown in broken lines covers the camera lens to illustrate an environment; and,

FIG. 10 is an enlarged view of the encircled portion as shown in FIG. 1.

The broken lines in the drawing are included for the purpose of illustrating environmental subject matter and form no part of the claimed design. The dot-dash broken lines encircling an enlargement portion of the design forms no part of the claimed design.

1 Claim, 7 Drawing Sheets

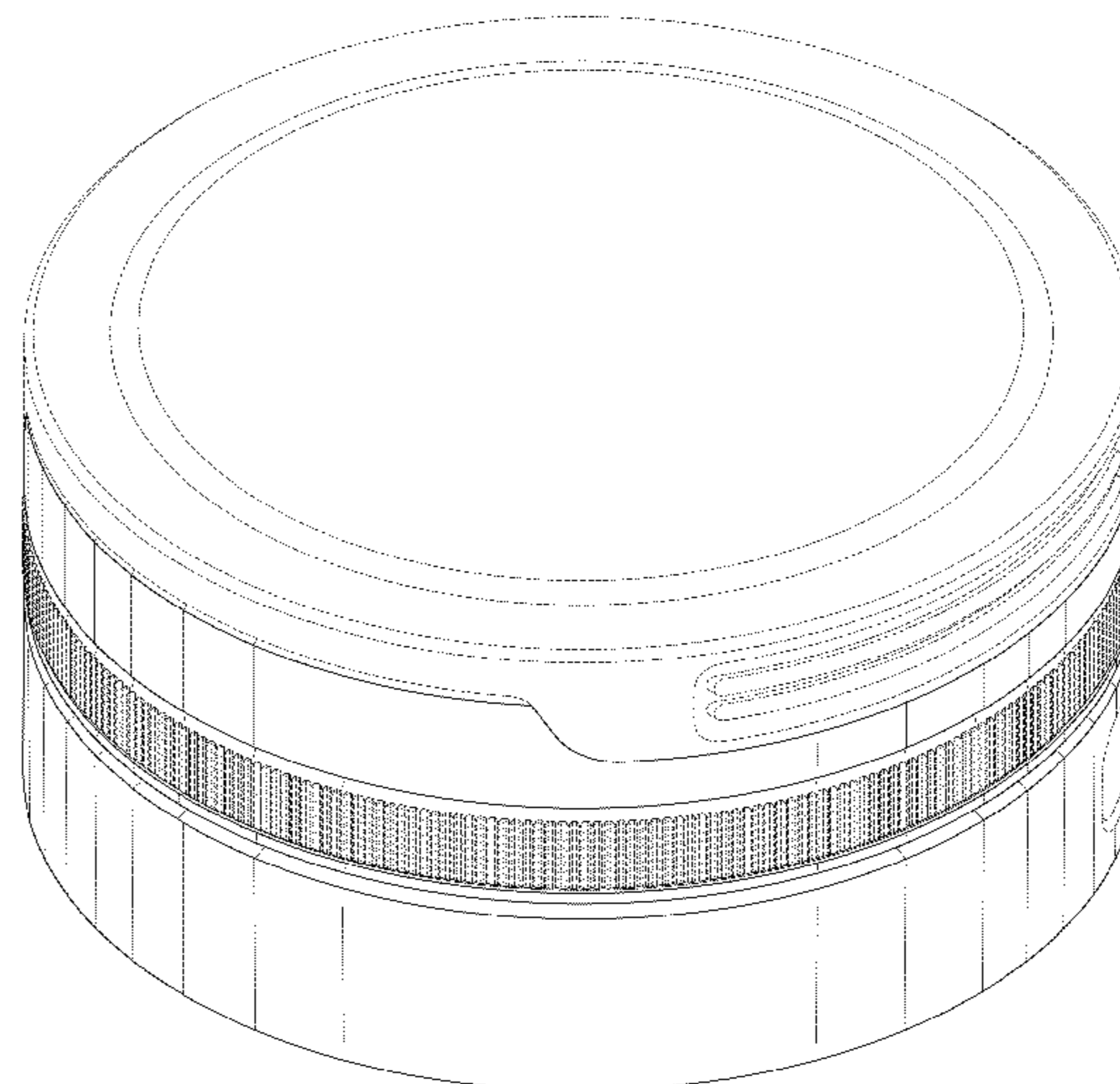
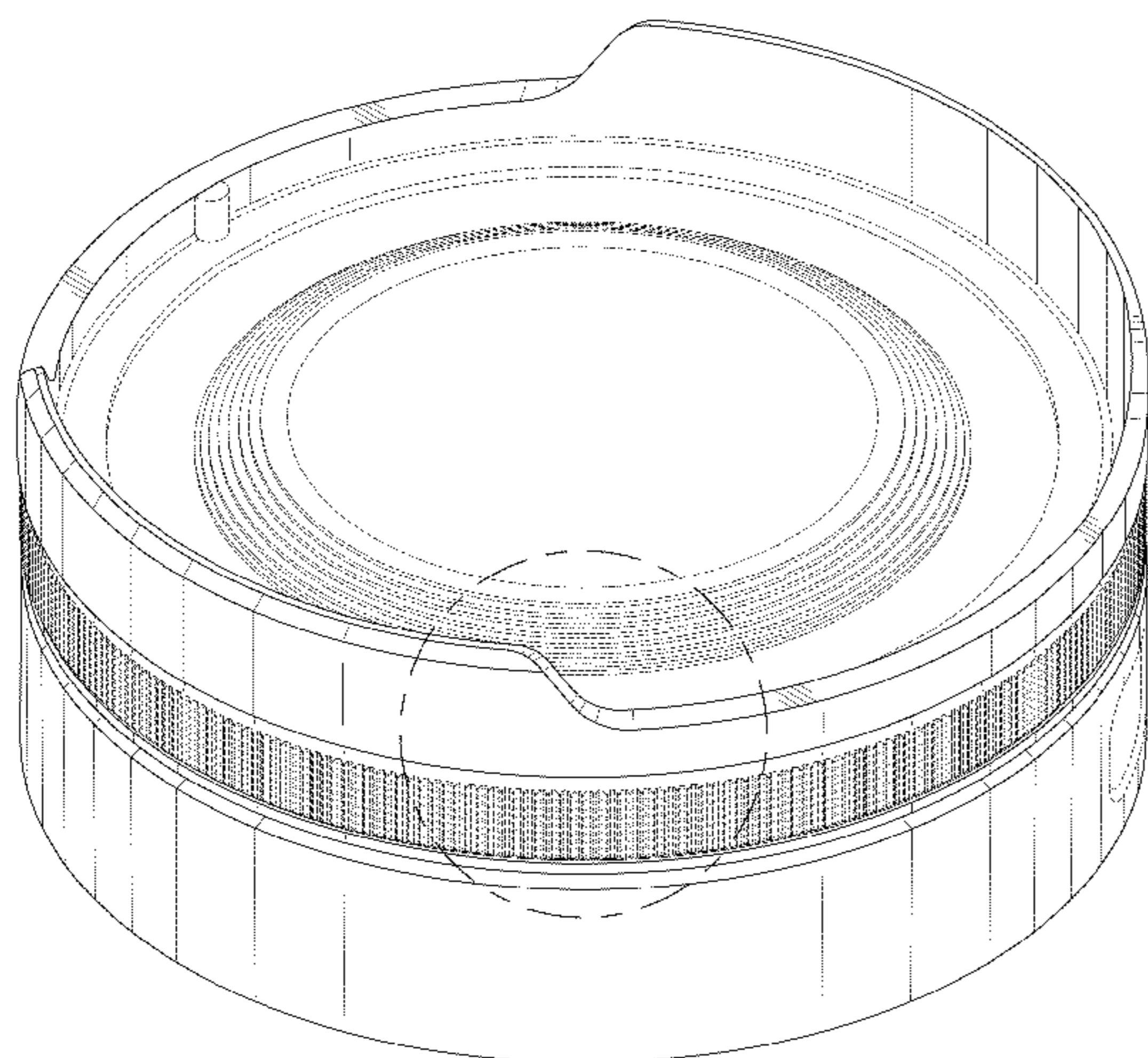


FIG.1

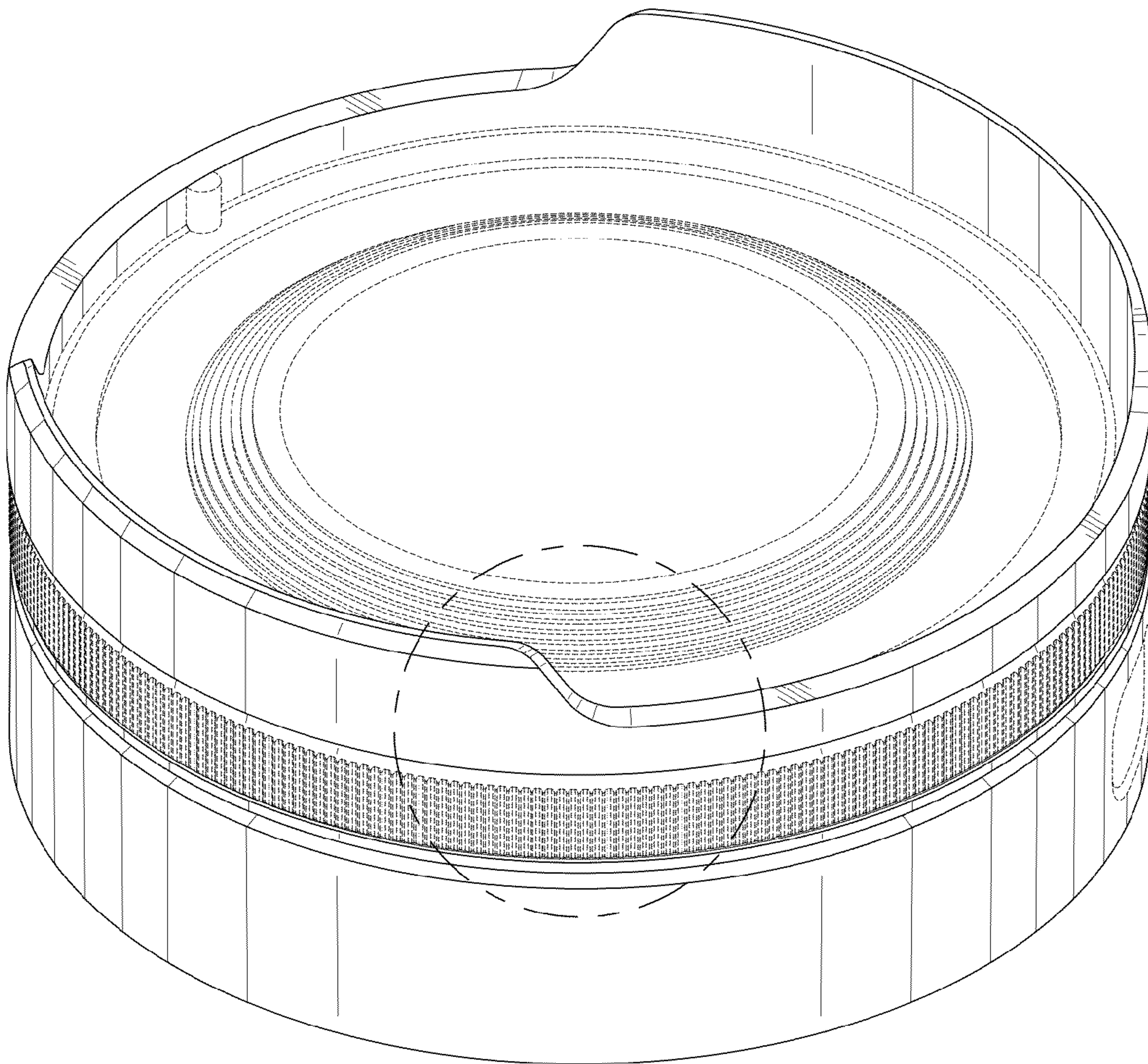


FIG.2

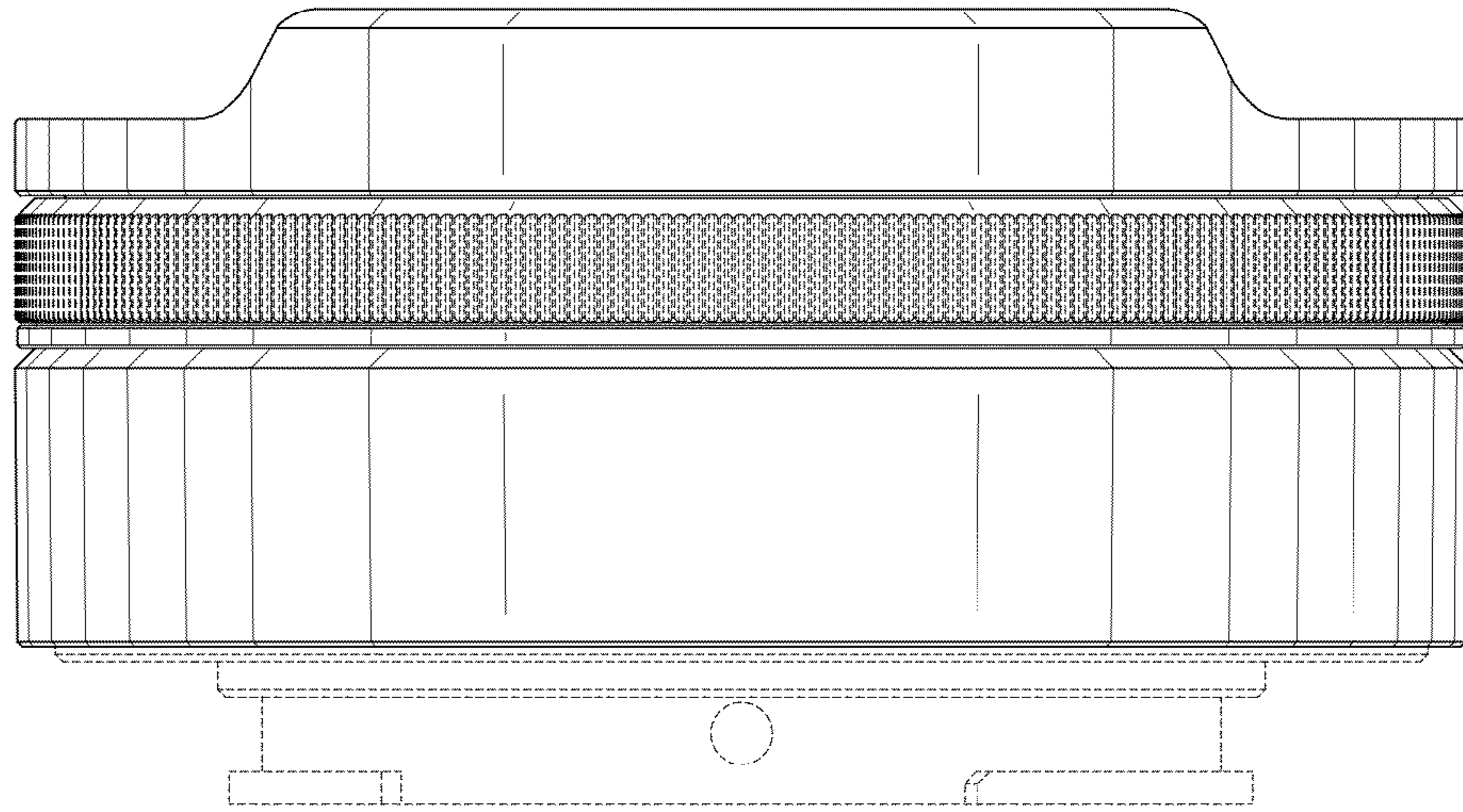


FIG.3

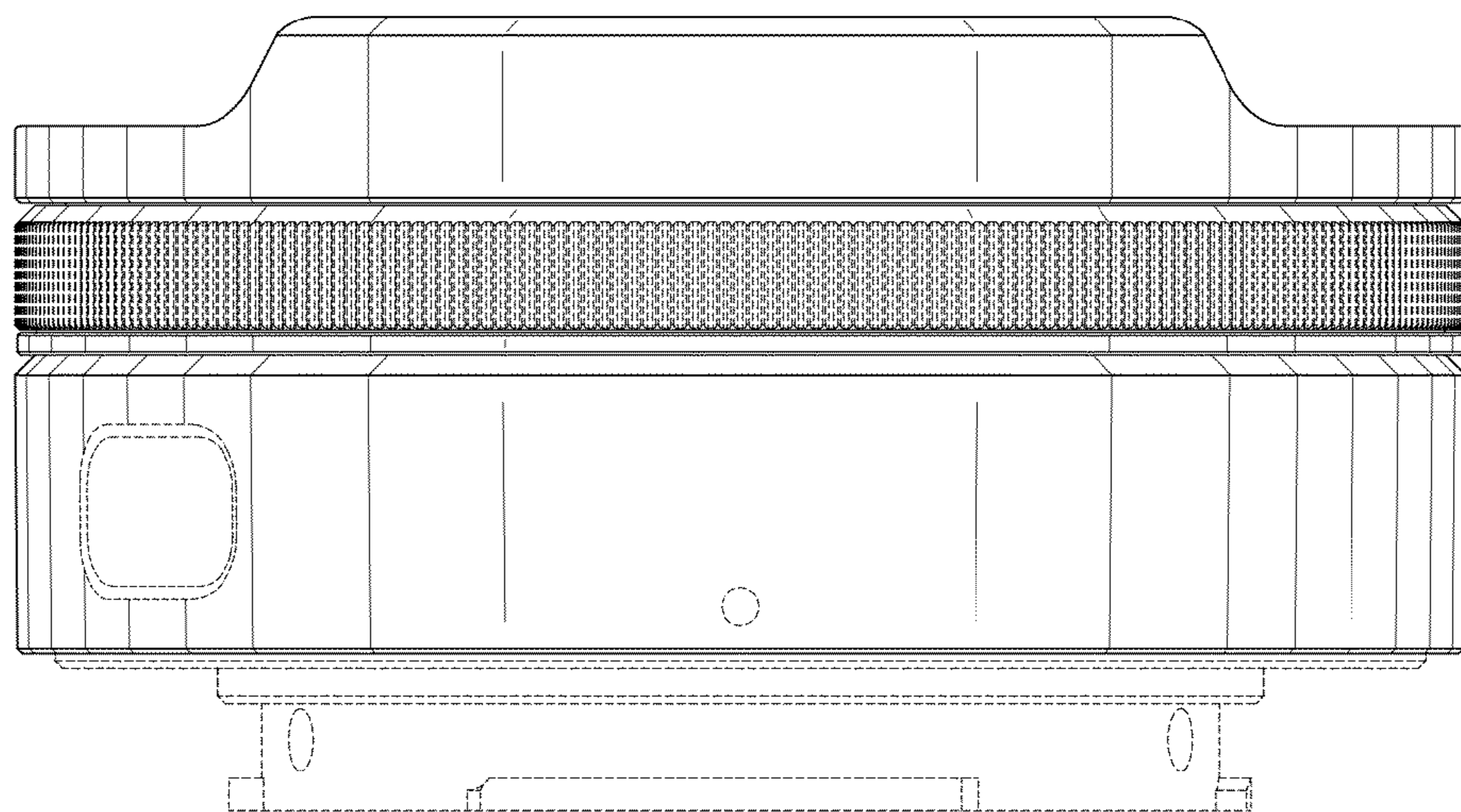


FIG.4

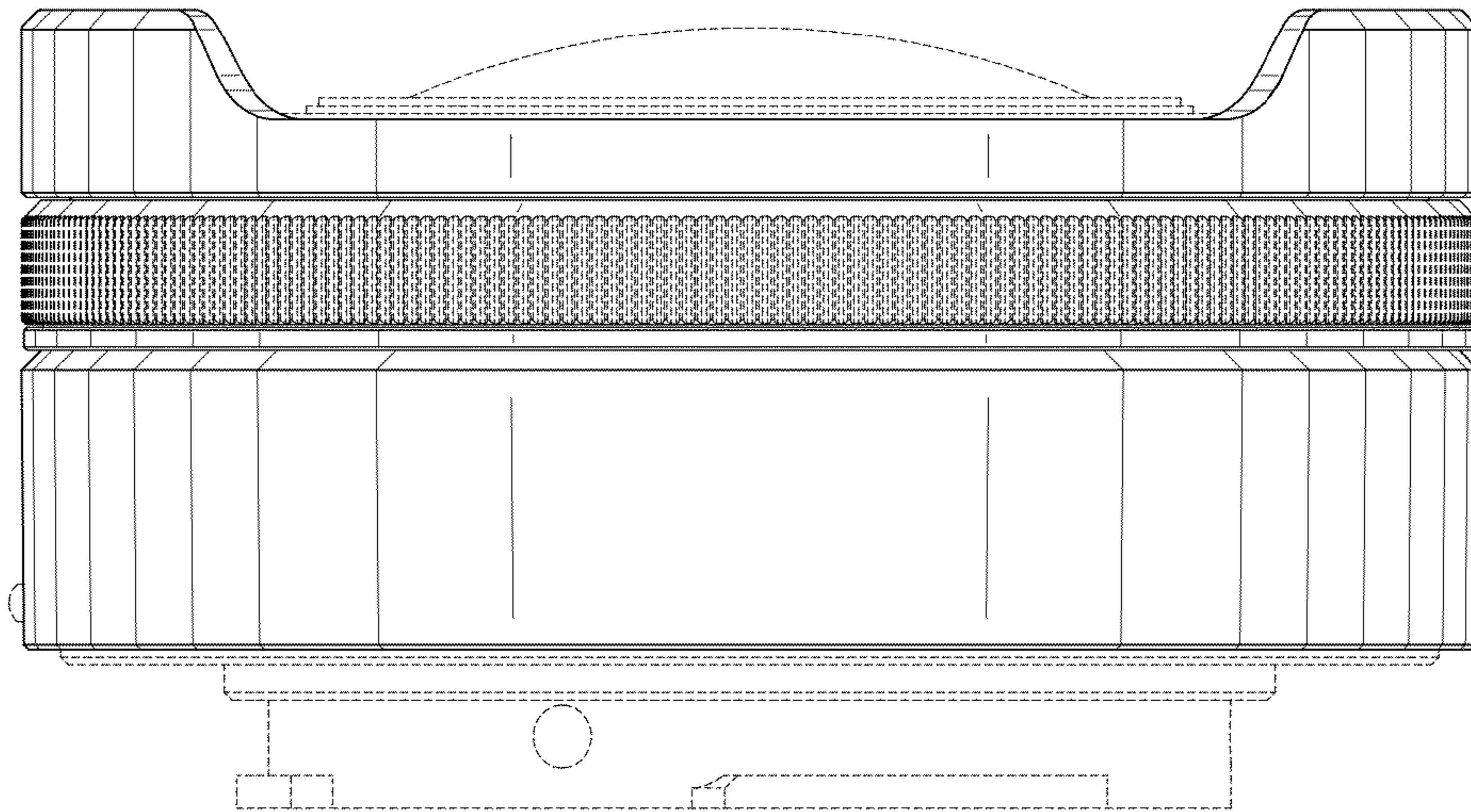


FIG.5

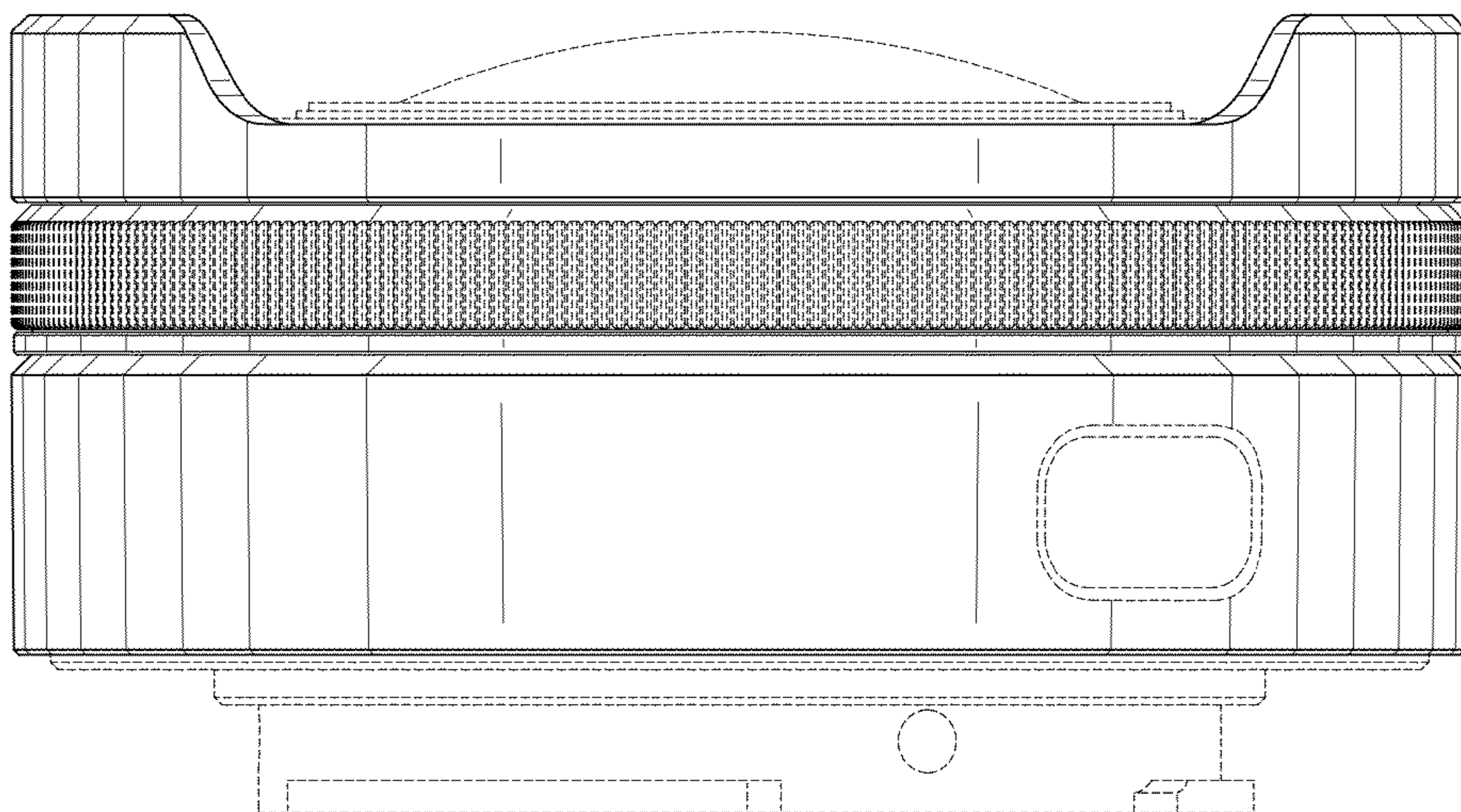


FIG.6

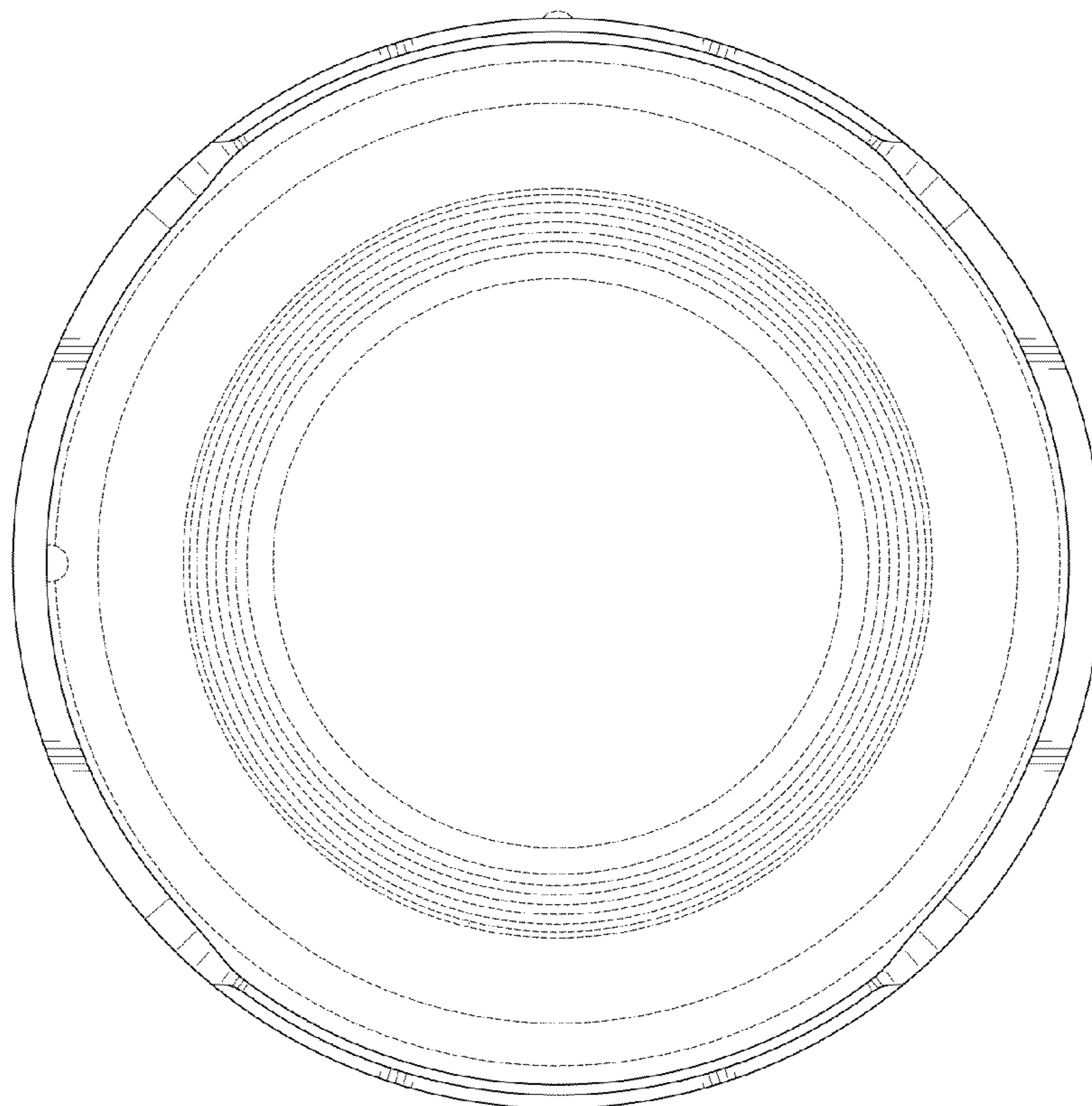


FIG.7

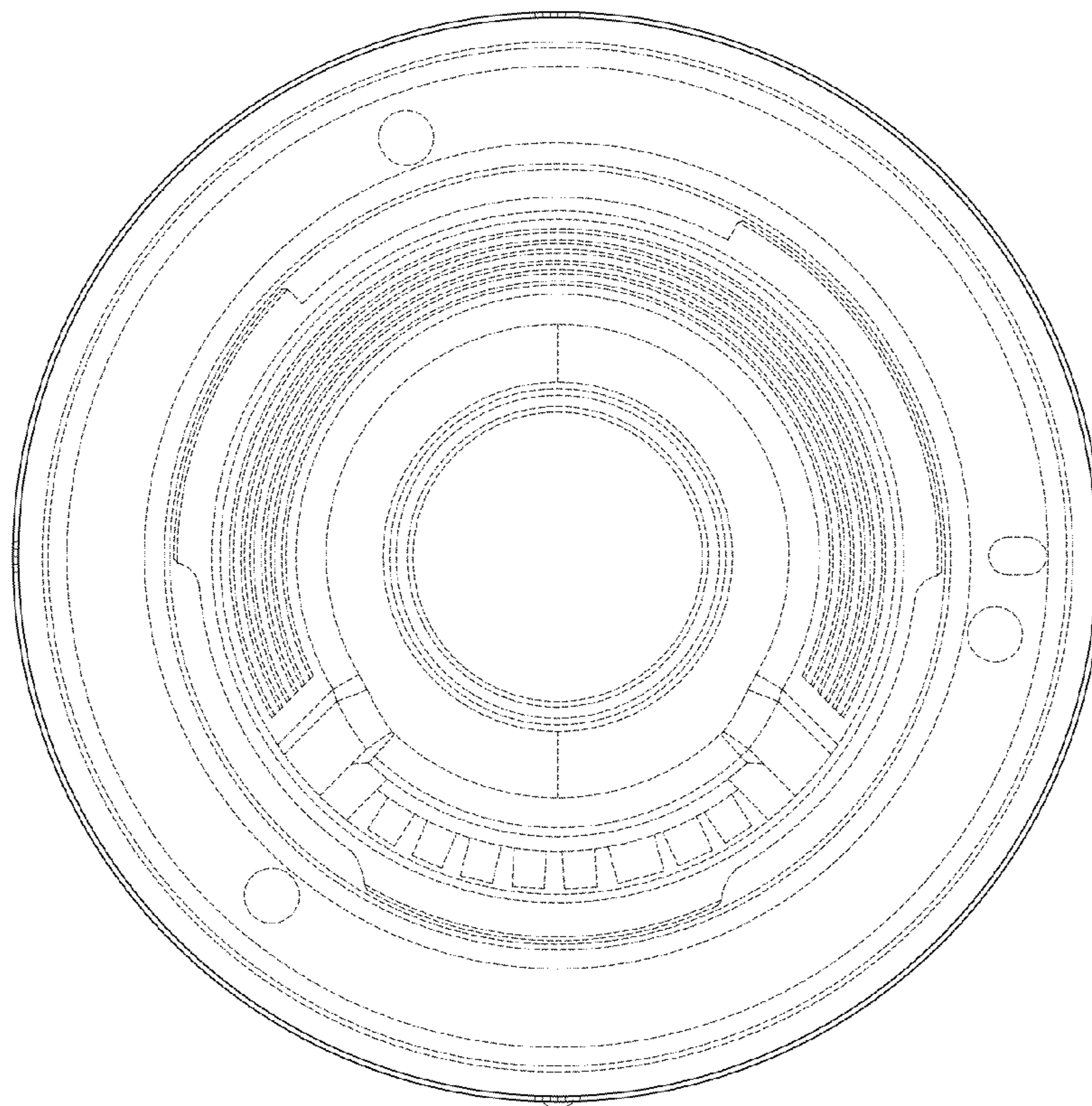


FIG.8

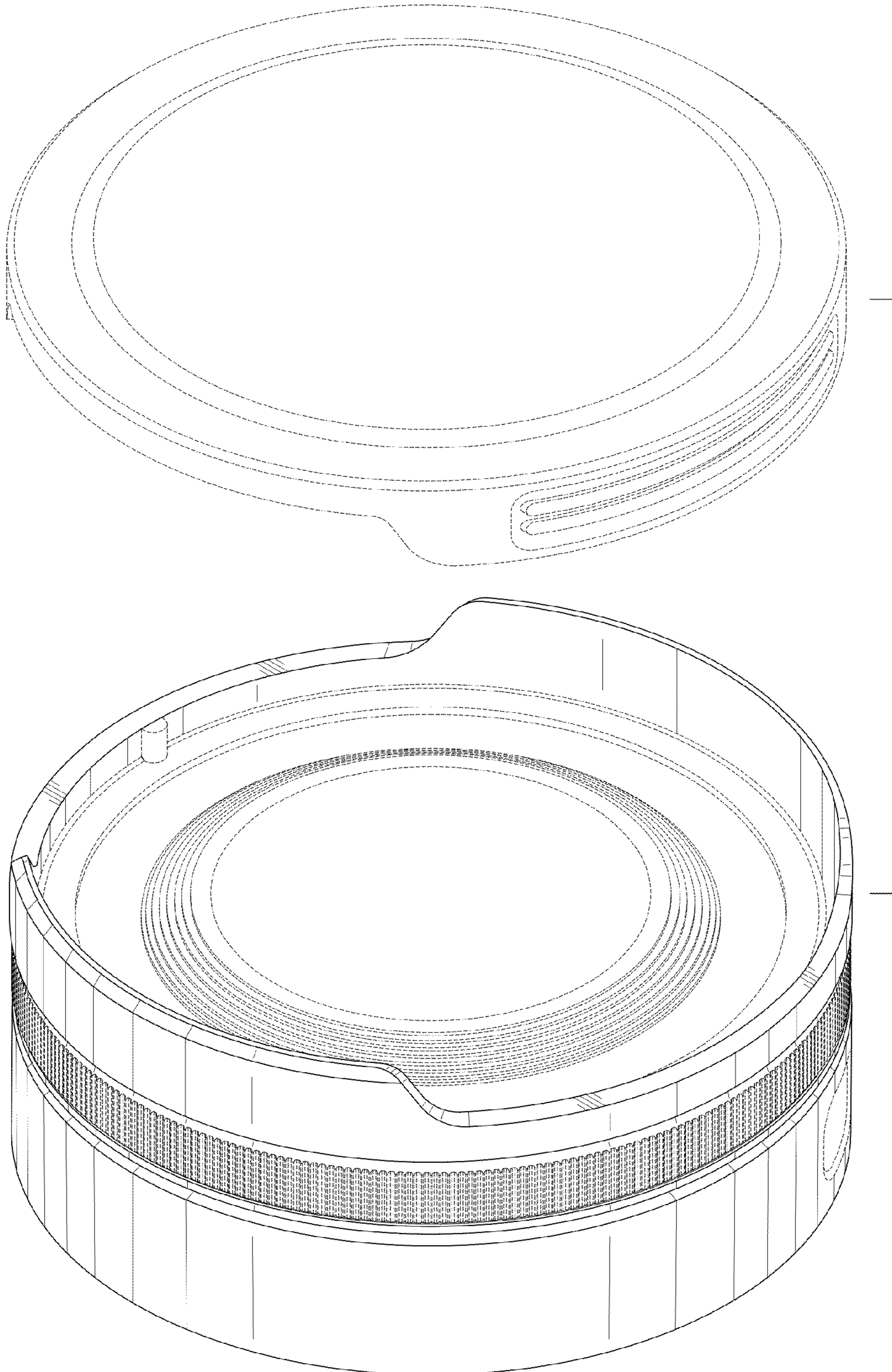


FIG.9

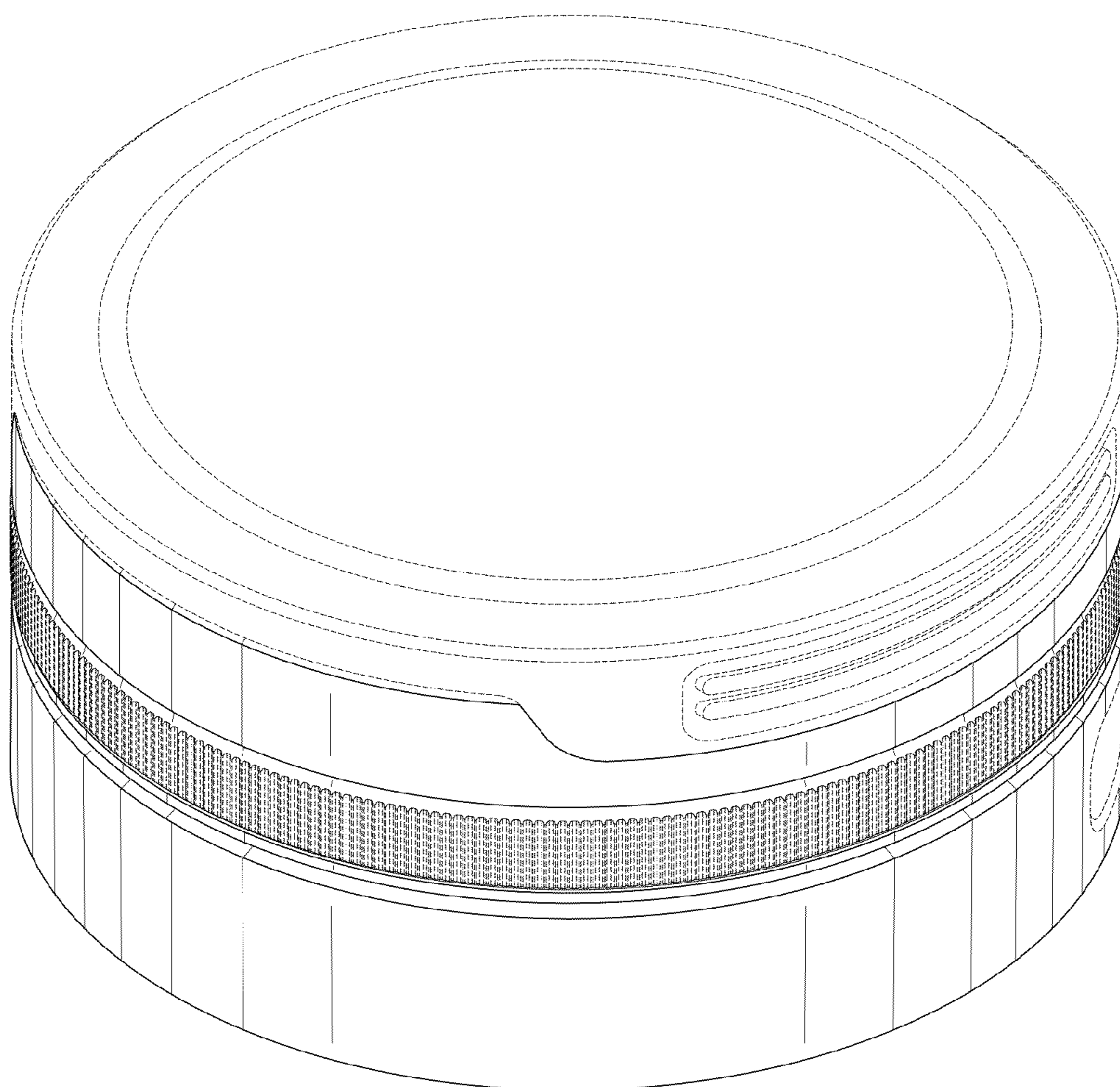


FIG.10

