

US00D721118S

(12) **United States Design Patent**
Chai

(10) **Patent No.:** **US D721,118 S**
(45) **Date of Patent:** **** Jan. 13, 2015**

(54) **DIGITAL CAMERA**

(56) **References Cited**

(71) Applicant: **Samsung Electronics Co., Ltd.**,
Suwon-si (KR)

U.S. PATENT DOCUMENTS

(72) Inventor: **Ki-Byung Chai**, Seoul (KR)

D327,899	S	*	7/1992	Goldstein et al.	D16/209
D358,831	S	*	5/1995	Kozu	D16/209
D372,724	S	*	8/1996	Funato et al.	D16/217
D390,860	S	*	2/1998	Kim	D16/217
5,721,984	A	*	2/1998	Kaneko et al.	396/177
D433,047	S	*	10/2000	Reber	D16/209
D448,039	S	*	9/2001	Horikiri	D16/212
D462,704	S	*	9/2002	Suzuki et al.	D16/202
6,510,286	B1	*	1/2003	Terada et al.	396/177
D486,508	S	*	2/2004	Shimobayashi	D16/202
D491,598	S	*	6/2004	Shimobayashi	D16/219
D492,337	S	*	6/2004	Shimobayashi	D16/219
2002/0041765	A1	*	4/2002	Onda et al.	396/538

(73) Assignee: **Samsung Electronics Co., Ltd.**,
Suwon-Si (KR)

(**) Term: **14 Years**

(21) Appl. No.: **29/459,945**

* cited by examiner

(22) Filed: **Jul. 5, 2013**

(30) **Foreign Application Priority Data**

Primary Examiner — Adir Aronovich

Assistant Examiner — Ramzi Almatrahi

Jan. 5, 2013 (KR) 30-2013-0000754

(74) *Attorney, Agent, or Firm* — Staas & Halsey LLP

(51) **LOC (10) Cl.** **16-05**

(57) **CLAIM**

(52) **U.S. Cl.**

The ornamental design for a digital camera, as shown and described.

USPC **D16/219**; D16/209

DESCRIPTION

(58) **Field of Classification Search**

CPC G03B 17/02; G03B 19/04; G03B 17/56;
G03B 17/04; G03B 15/03; G03B 15/05;
H04N 5/2251; H04N 5/2252; H04N 5/2253;
H04N 5/2254; H04N 2007/145; H04N 7/141;
H04N 7/142; H04N 7/147; H04N 7/148;
H04N 7/15; H04N 7/152

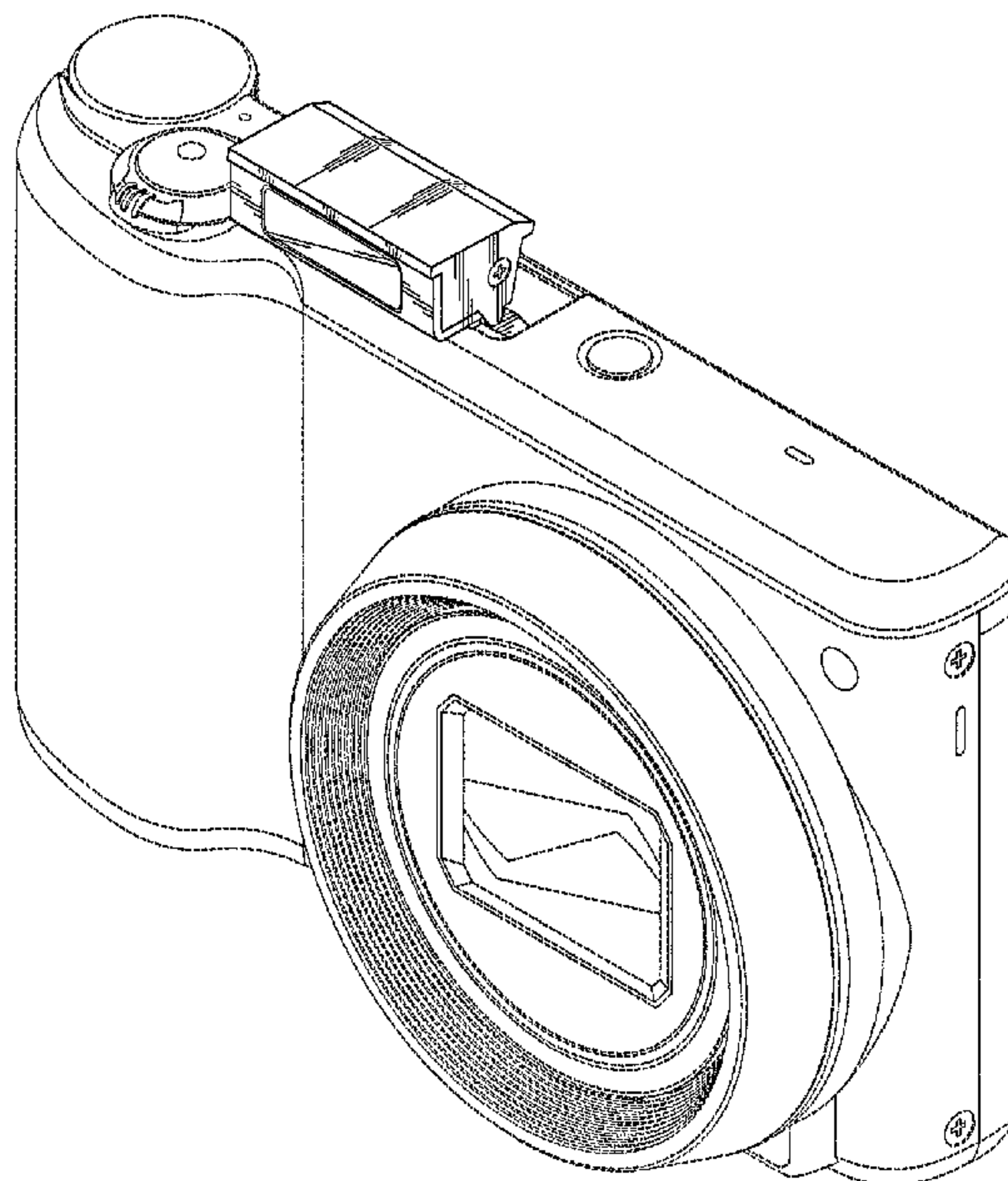
USPC D16/200, 202–205, 208, 209, 211, 212,
D16/217–219, 239, 242; 348/373–376;
396/176–178, 535, 538–541

FIG. 1 is a top front perspective view of a digital camera;
FIG. 2 is a front elevational view thereof;
FIG. 3 is a rear elevational view thereof;
FIG. 4 is a left side elevational view thereof;
FIG. 5 is a right side elevational view thereof;
FIG. 6 is a top plan view thereof; and,
FIG. 7 is a bottom plan view thereof.

The broken lines depict portions of the digital camera in which the design is embodied and form no part of the claimed design.

See application file for complete search history.

1 Claim, 3 Drawing Sheets



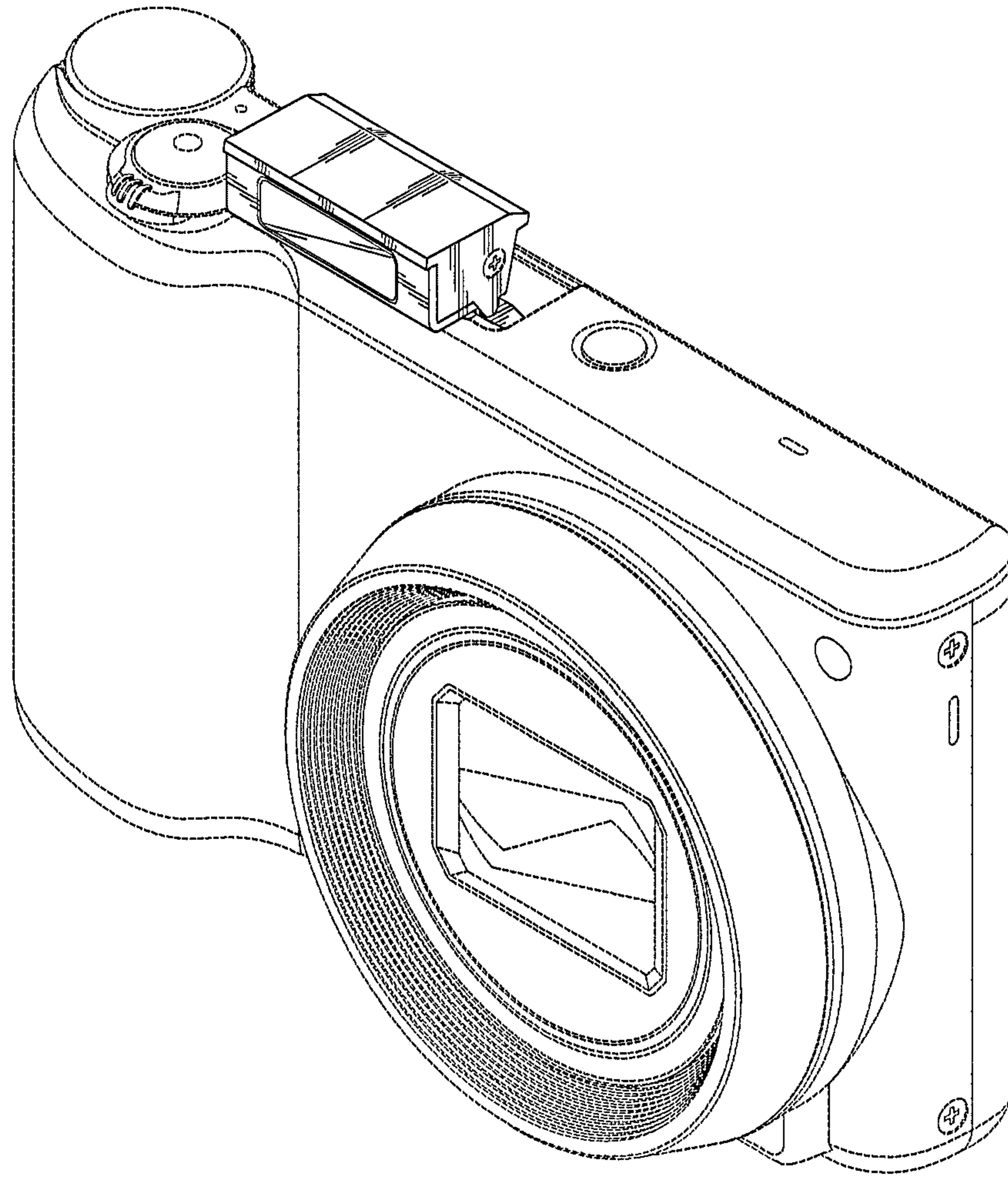


FIG. 1

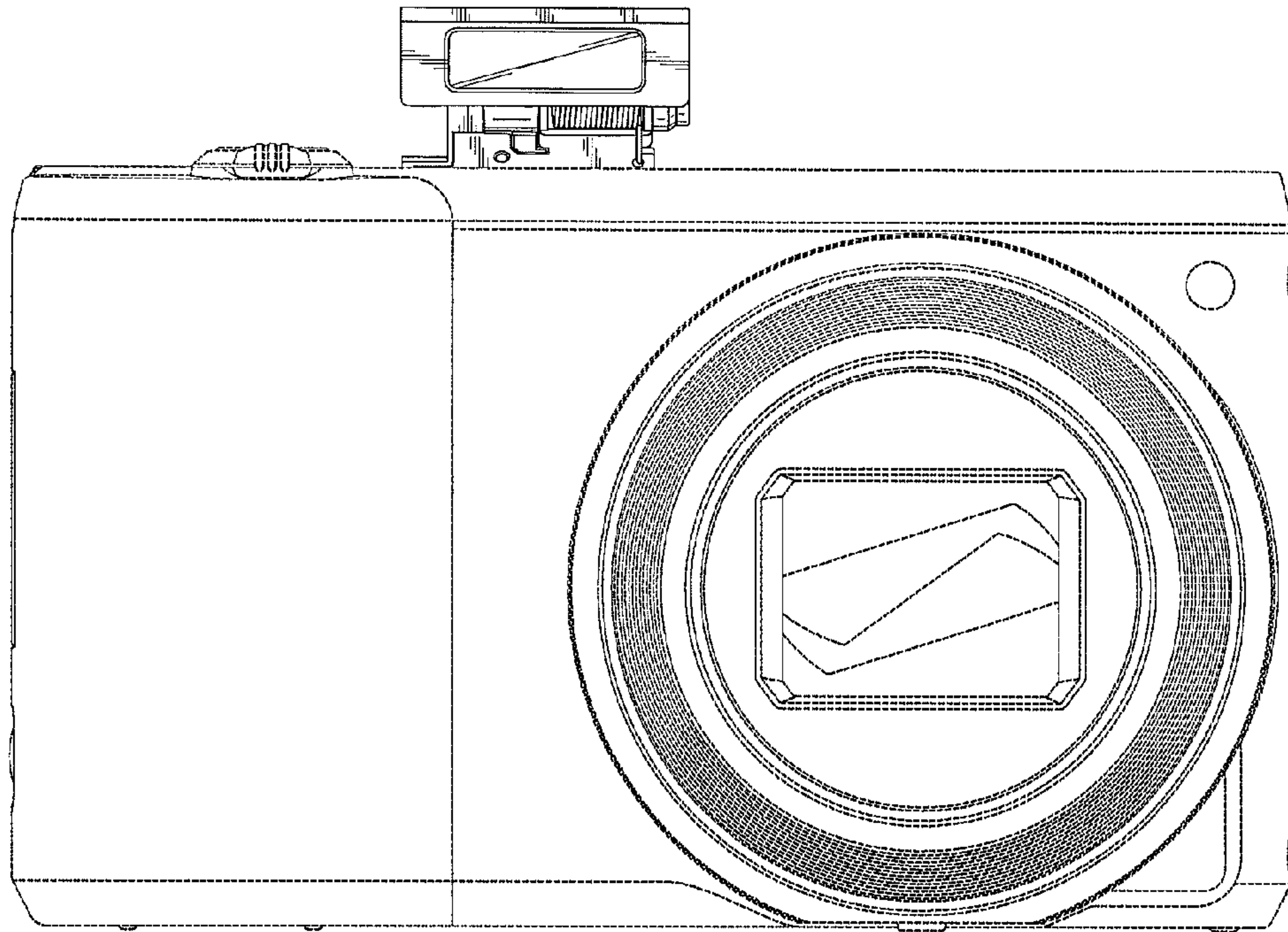


FIG.2

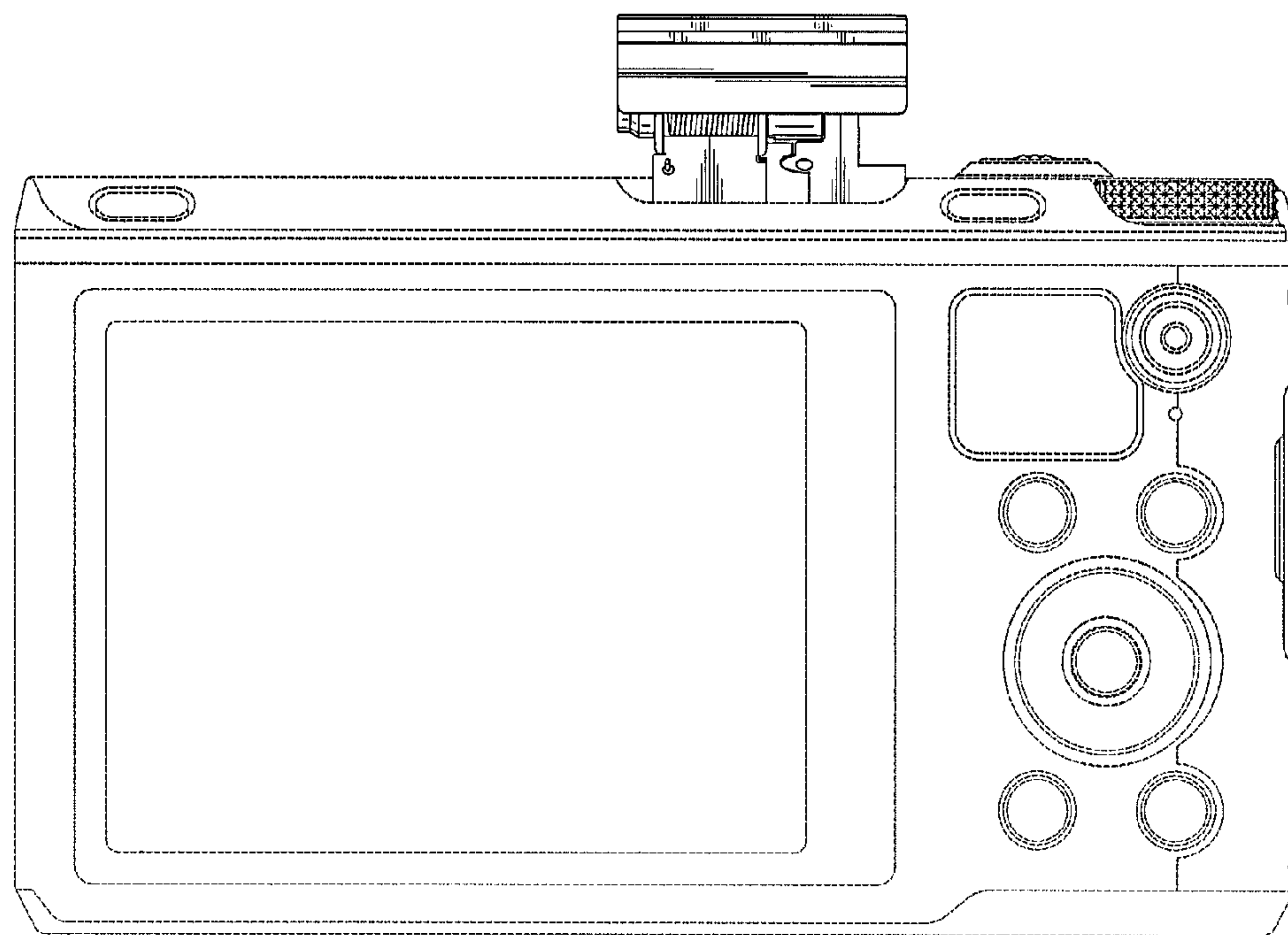


FIG.3

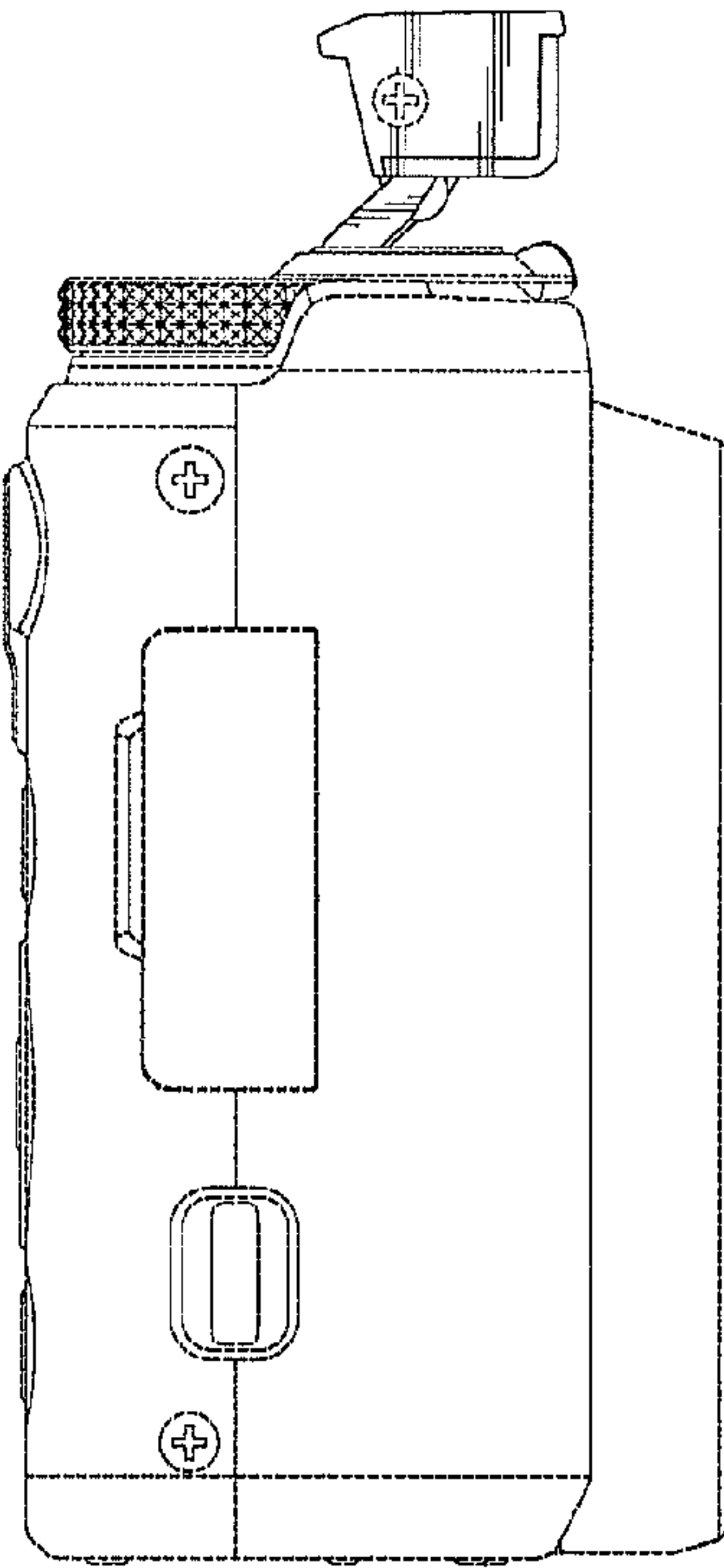


FIG. 4

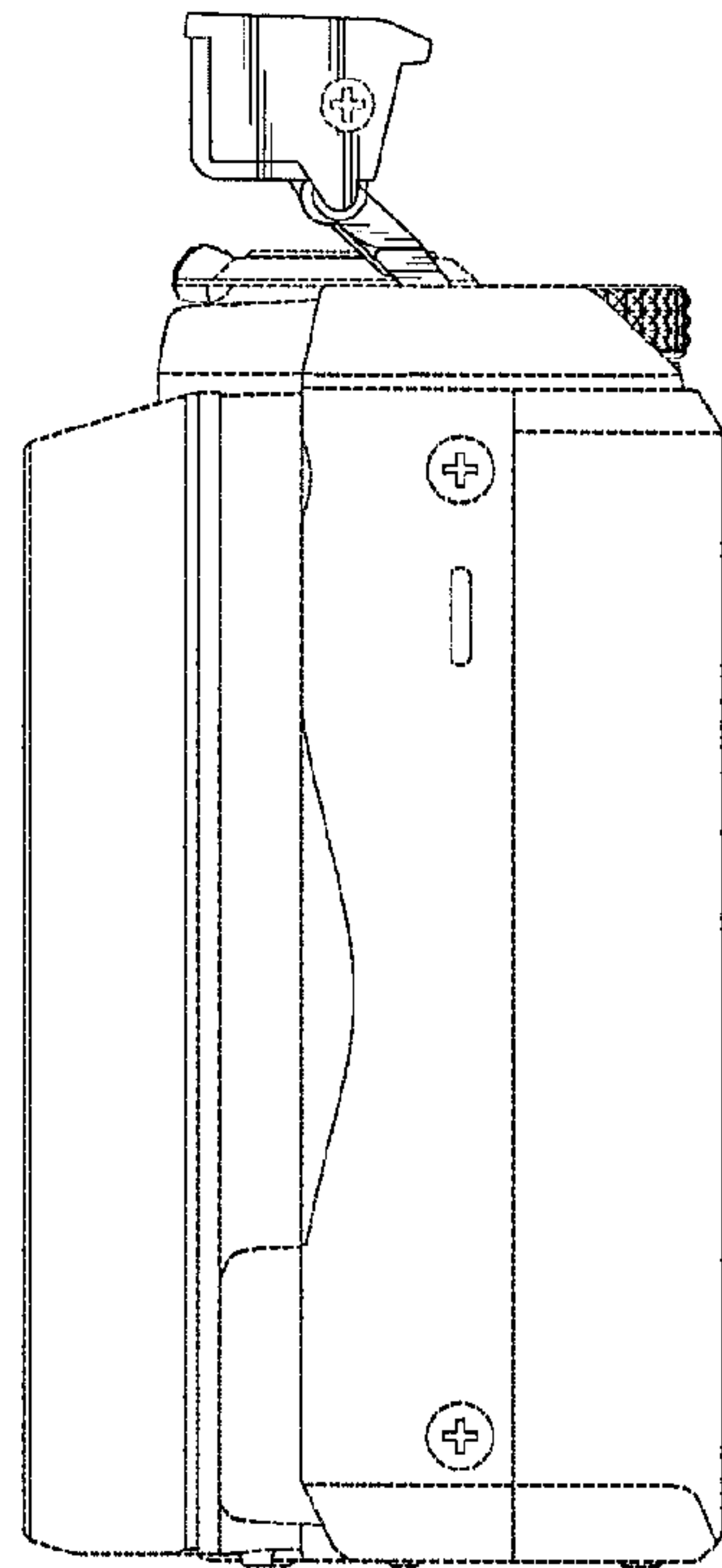


FIG. 5

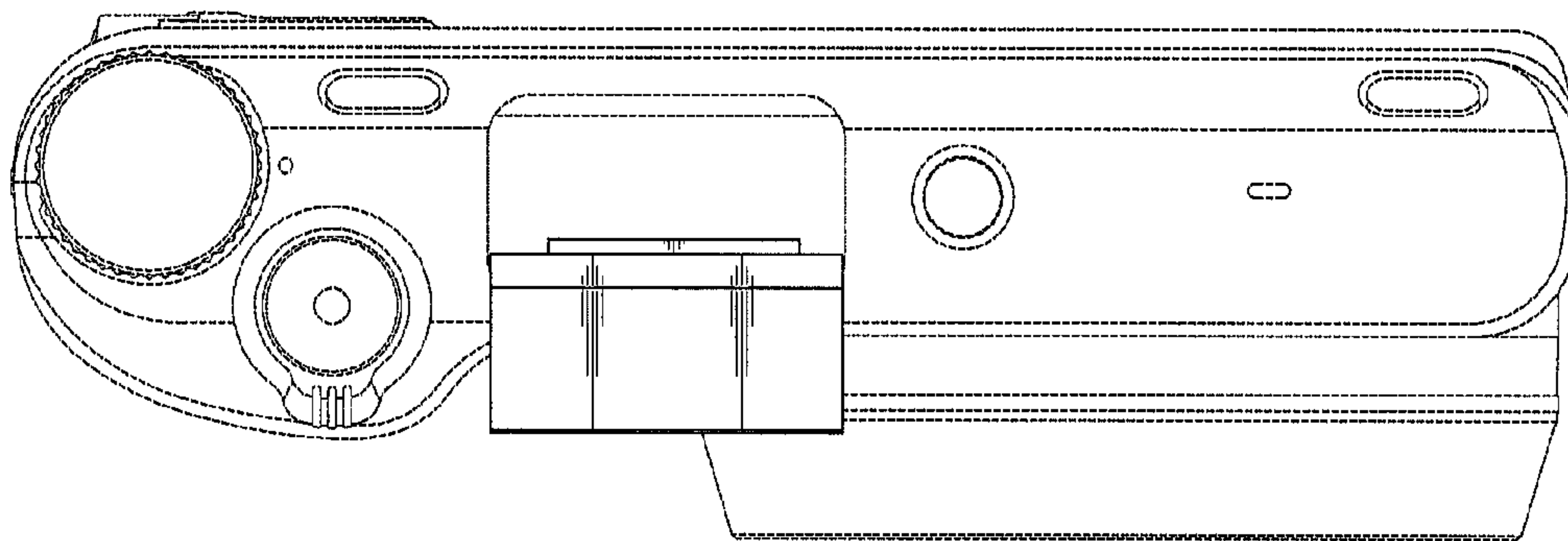


FIG. 6

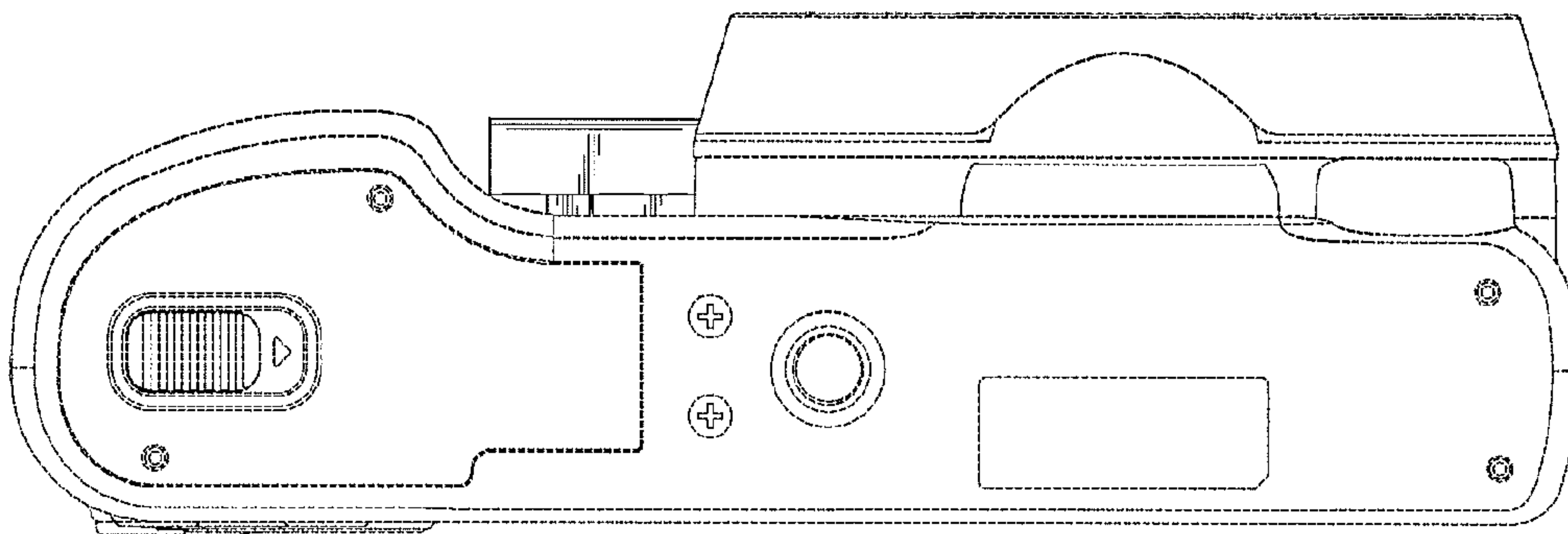


FIG. 7