



US00D721117S

(12) **United States Design Patent**
Hasuda

(10) **Patent No.:** **US D721,117 S**

(45) **Date of Patent:** **** *Jan. 13, 2015**

(54) **CAMERA LENS**

(71) Applicant: **Nikon Corporation**, Tokyo (JP)

(72) Inventor: **Masanori Hasuda**, Fujisawa (JP)

(73) Assignee: **Nikon Corporation**, Tokyo (JP)

(*) Notice: This patent is subject to a terminal disclaimer.

(**) Term: **14 Years**

(21) Appl. No.: **29/451,775**

(22) Filed: **Apr. 8, 2013**

Related U.S. Application Data

(62) Division of application No. 29/412,564, filed on Feb. 6, 2012.

(30) **Foreign Application Priority Data**

Aug. 10, 2011	(JP)	2011-018384
Sep. 5, 2011	(JP)	2011-020166
Sep. 5, 2011	(JP)	2011-020167
Sep. 5, 2011	(JP)	2011-020168
Sep. 5, 2011	(JP)	2011-020169
Sep. 5, 2011	(JP)	2011-020170
Sep. 5, 2011	(JP)	2011-020171
Sep. 5, 2011	(JP)	2011-020172

(51) **LOC (10) Cl.** **16-01**

(52) **U.S. Cl.**
USPC **D16/219**

(58) **Field of Classification Search**

USPC D16/130, 134, 136, 200, 202, 204, 218,
D16/219; 359/642, 811, 819, 827, 828, 830;
396/529, 530, 531, 532; 348/373, 374,
348/375, 376; 358/909.1

See application file for complete search history.

(56) **References Cited**

U.S. PATENT DOCUMENTS

4,063,264 A * 12/1977 Ando et al. 396/531

4,118,713	A	*	10/1978	Murakami et al.	396/227
D251,669	S	*	4/1979	Ueda et al.	D16/134
5,262,899	A	*	11/1993	Iizuka	359/811
5,481,406	A	*	1/1996	Yamazaki et al.	359/694
5,570,153	A	*	10/1996	Shono	396/531
D375,969	S	*	11/1996	Watanabe	D16/134

(Continued)

OTHER PUBLICATIONS

U.S. Office action dated in counterpart U.S. Appl. No. 29/451,776, dated Oct. 8, 2014, pp. 1-7.

Primary Examiner — Phillip S Hyder

(74) *Attorney, Agent, or Firm* — Wolf, Greenfield & Sacks, P.C.; Randy J. Pritzker

(57) **CLAIM**

The ornamental design for a camera lens, as shown and described.

DESCRIPTION

FIG. 1 is a perspective view of a first embodiment of camera lens showing my new design;

FIG. 2 is a rear elevational view thereof;

FIG. 3 is a top plan view thereof;

FIG. 4 is a bottom plan view thereof;

FIG. 5 is a right side elevational view thereof; and

FIG. 6 is a left side elevational view thereof;

FIG. 7 is a perspective view of a second embodiment of a camera lens showing my new design;

FIG. 8 is a rear elevational view thereof;

FIG. 9 is a top plan view thereof;

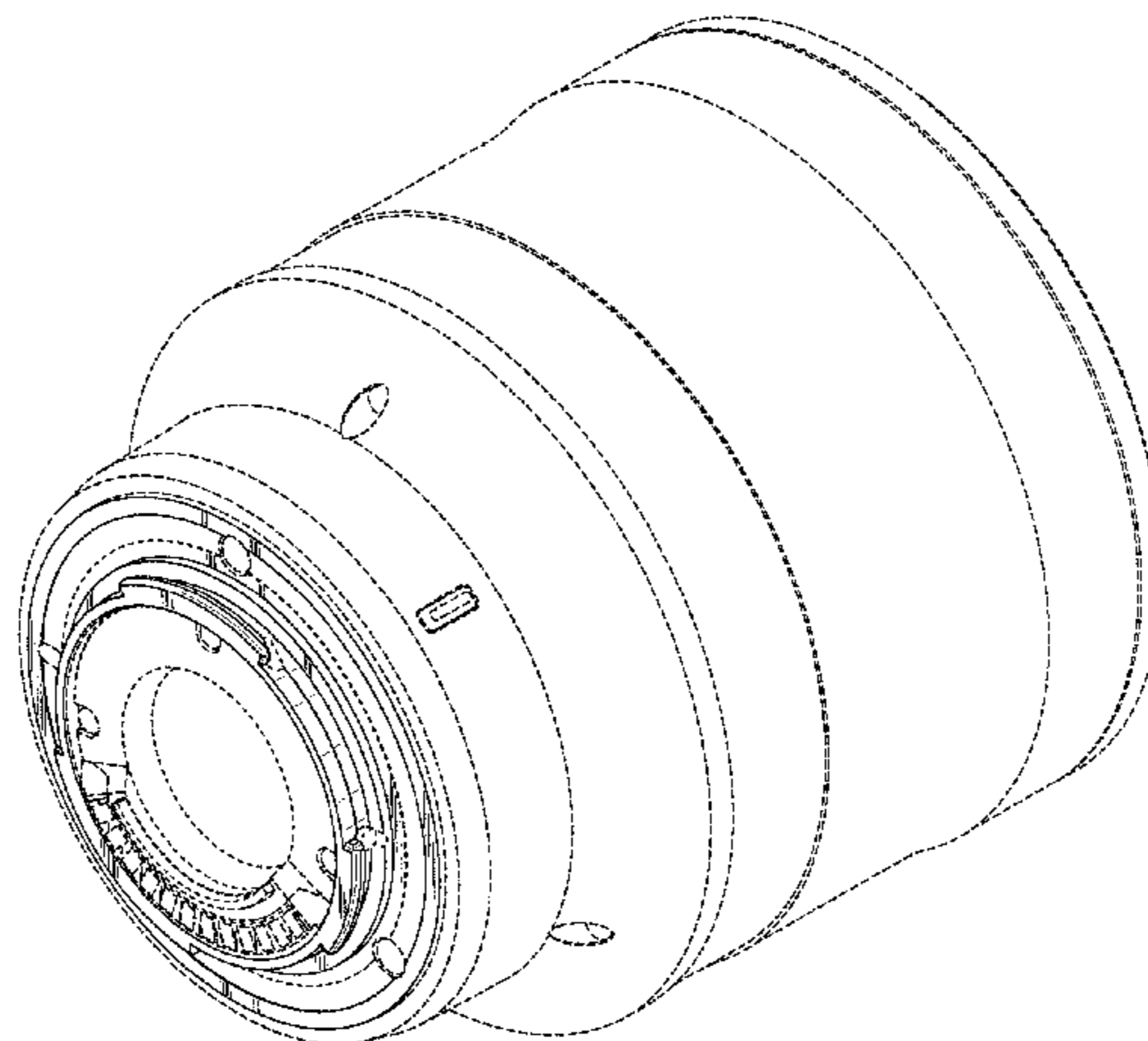
FIG. 10 is a bottom plan view thereof;

FIG. 11 is a right side elevational view thereof; and,

FIG. 12 is a left side elevational view thereof.

The features shown in broken lines in the drawings depict environmental subject matter only and form no part of the claimed design.

1 Claim, 12 Drawing Sheets



(56)

References Cited

U.S. PATENT DOCUMENTS

D388,109 S	12/1997	Kimura et al.	
D390,857 S *	2/1998	Hayamizu	D16/134
D420,029 S *	2/2000	Kimura et al.	D16/134
D425,088 S *	5/2000	Watanabe	D16/134
D433,044 S *	10/2000	Nagaoka et al.	D16/134
D441,382 S *	5/2001	Konno et al.	D16/134
6,369,960 B2 *	4/2002	Azegami	359/819
6,554,503 B2 *	4/2003	Imanari et al.	396/531
D482,377 S *	11/2003	Tajima	D16/134
D523,057 S *	6/2006	Watanabe	D16/219
D537,096 S *	2/2007	Tokiwa et al.	D16/219
D537,461 S *	2/2007	Tokiwa et al.	D16/219
7,182,529 B2	2/2007	Kurosawa	
D539,320 S *	3/2007	Tokiwa et al.	D16/219
D540,363 S *	4/2007	Tokiwa et al.	D16/219
D549,263 S *	8/2007	Tokiwa et al.	D16/219
D549,264 S *	8/2007	Tokiwa	D16/219
D552,147 S *	10/2007	Tajima	D16/219
D559,884 S *	1/2008	Tokiwa	D16/219
D600,265 S	9/2009	Miyashita	
7,593,169 B2 *	9/2009	Ouchi	359/702
7,625,144 B2 *	12/2009	Kranz et al.	396/529
7,798,731 B2 *	9/2010	Kurosawa	396/505
7,848,634 B2 *	12/2010	Kranz et al.	396/310
7,853,137 B2 *	12/2010	Yang	396/71
7,961,411 B2 *	6/2011	Lee	359/819
7,988,372 B2 *	8/2011	Lee et al.	396/531
8,002,483 B2 *	8/2011	Fujiwara et al.	396/531
8,027,576 B2 *	9/2011	Lai	396/25
D648,363 S	11/2011	Takagi et al.	
D665,837 S *	8/2012	Tainaka	D16/219
D670,751 S *	11/2012	Koyama et al.	D16/219
D671,586 S *	11/2012	Asano et al.	D16/219
2010/0226023 A1 *	9/2010	Lee	359/819
2011/0274424 A1 *	11/2011	Fujiwara et al.	396/532
2012/0039595 A1 *	2/2012	Youn	396/529

* cited by examiner

FIG. 1

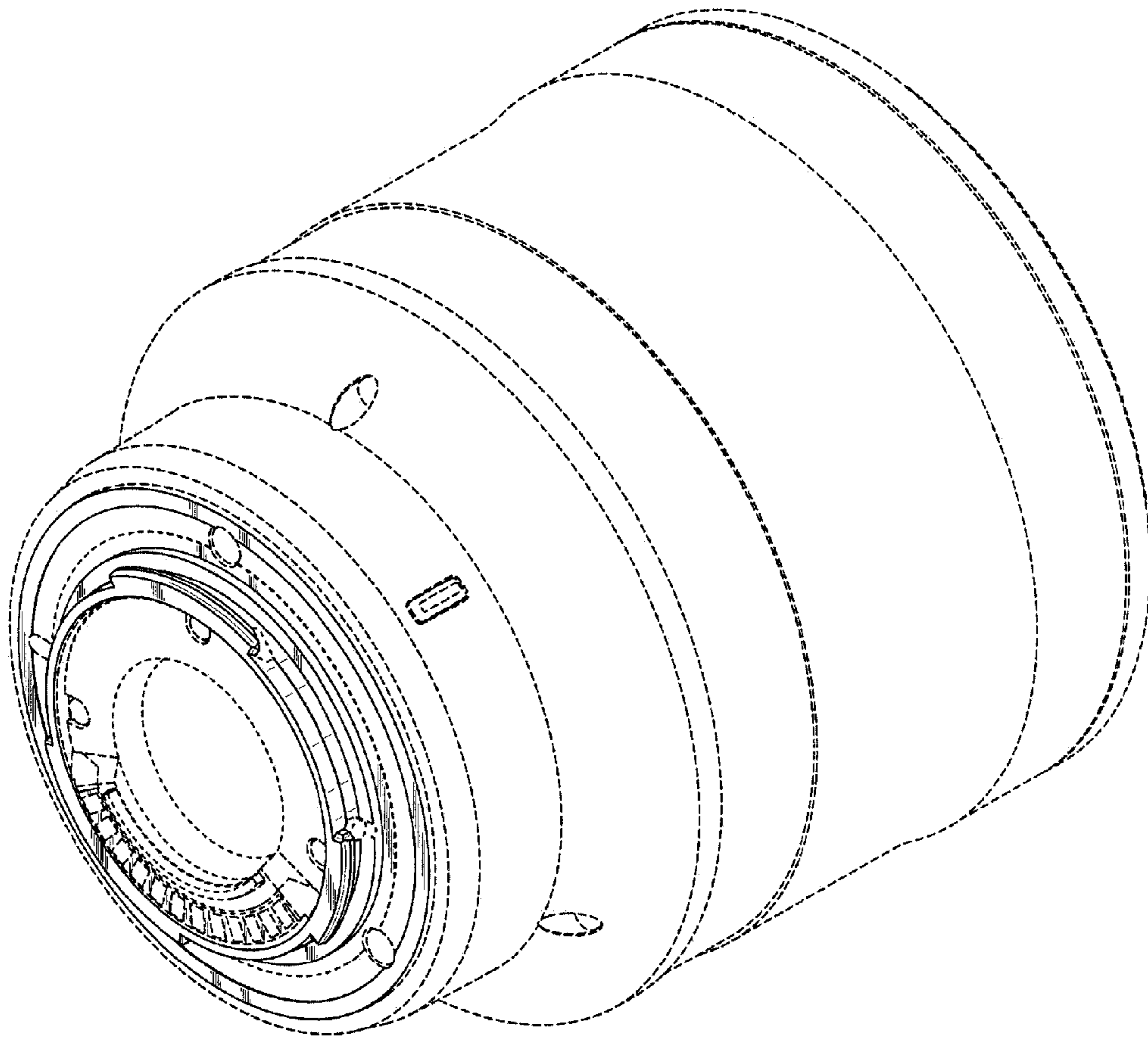


FIG. 2

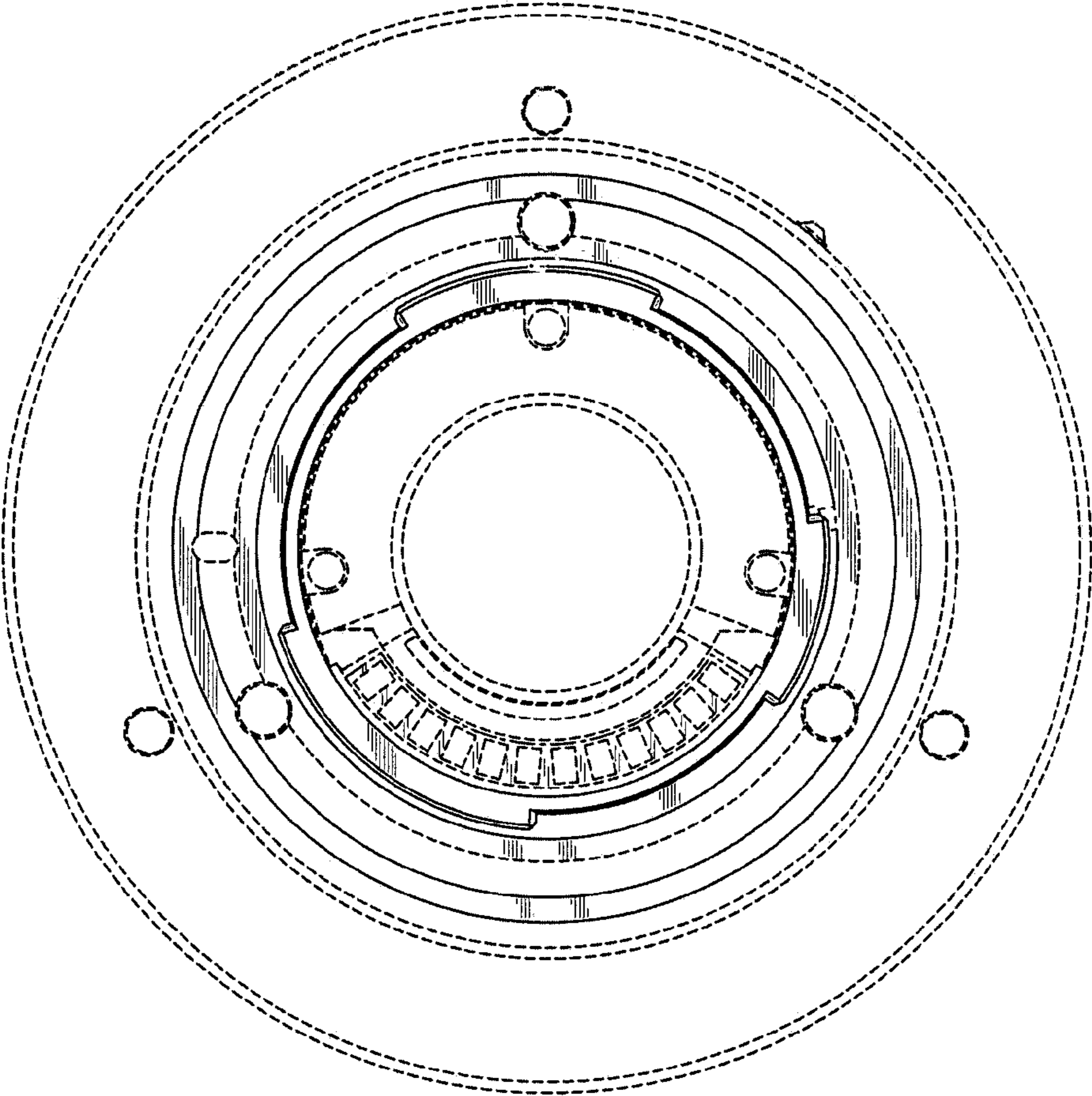


FIG. 3

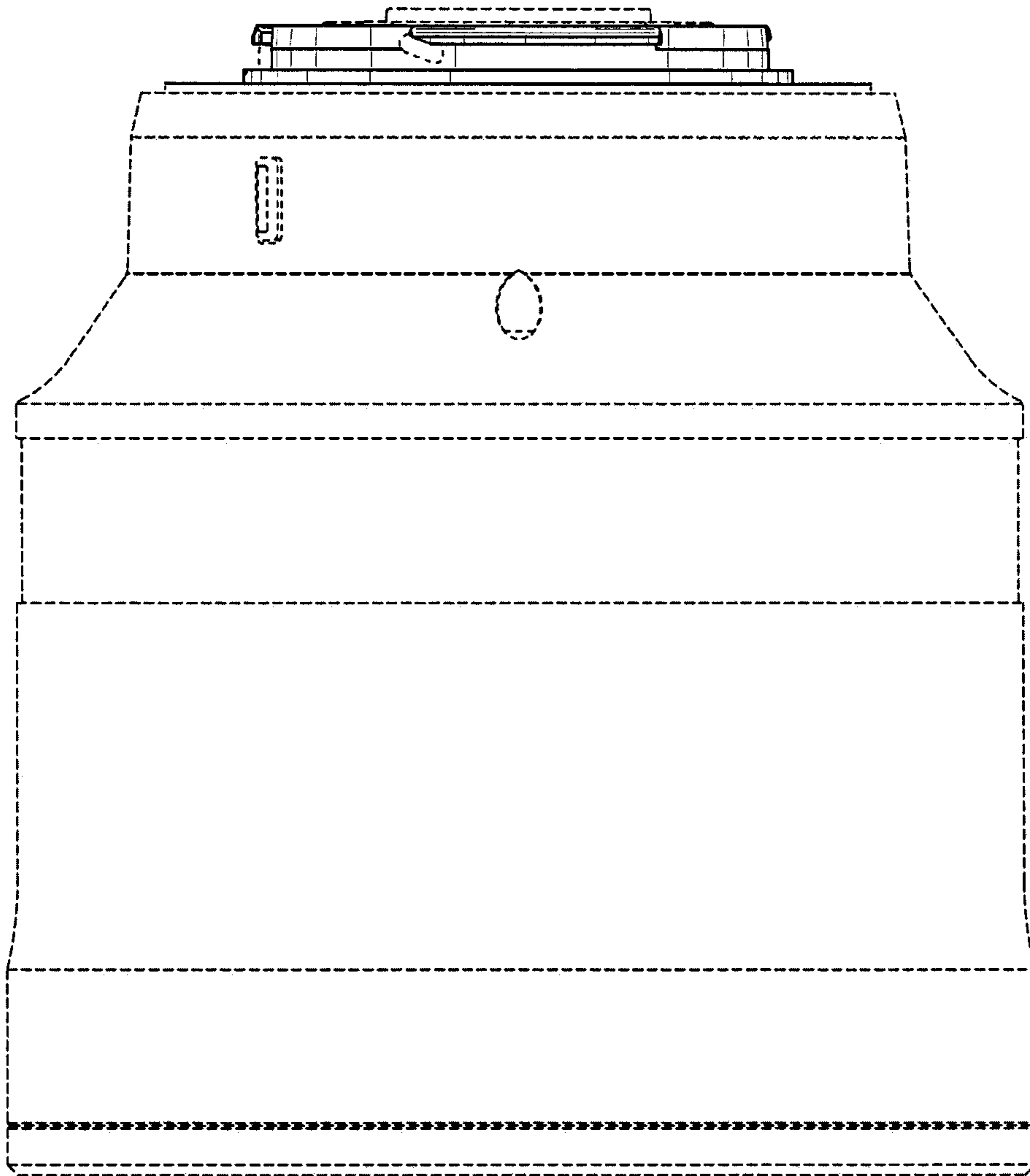


FIG. 4

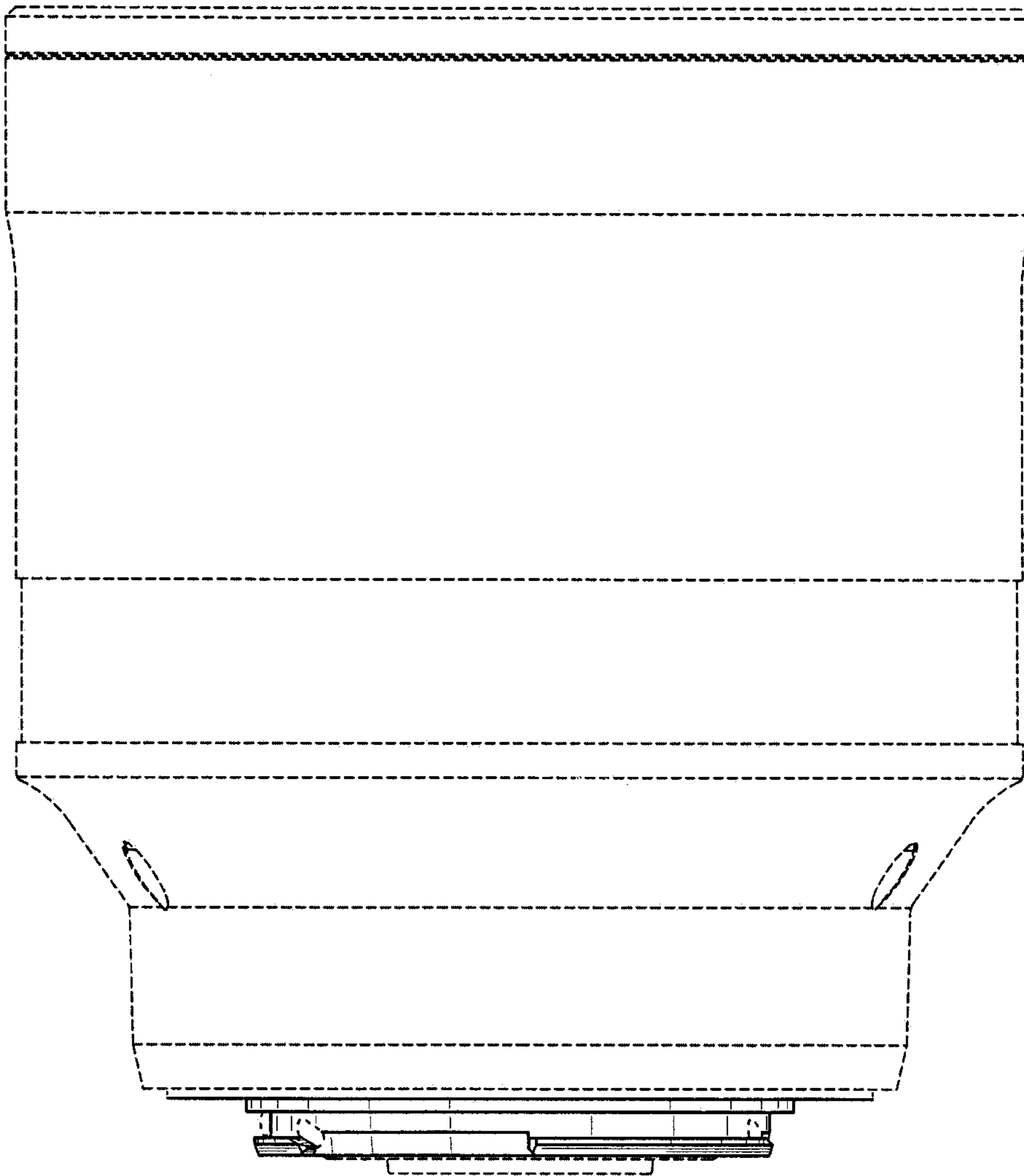


FIG. 5

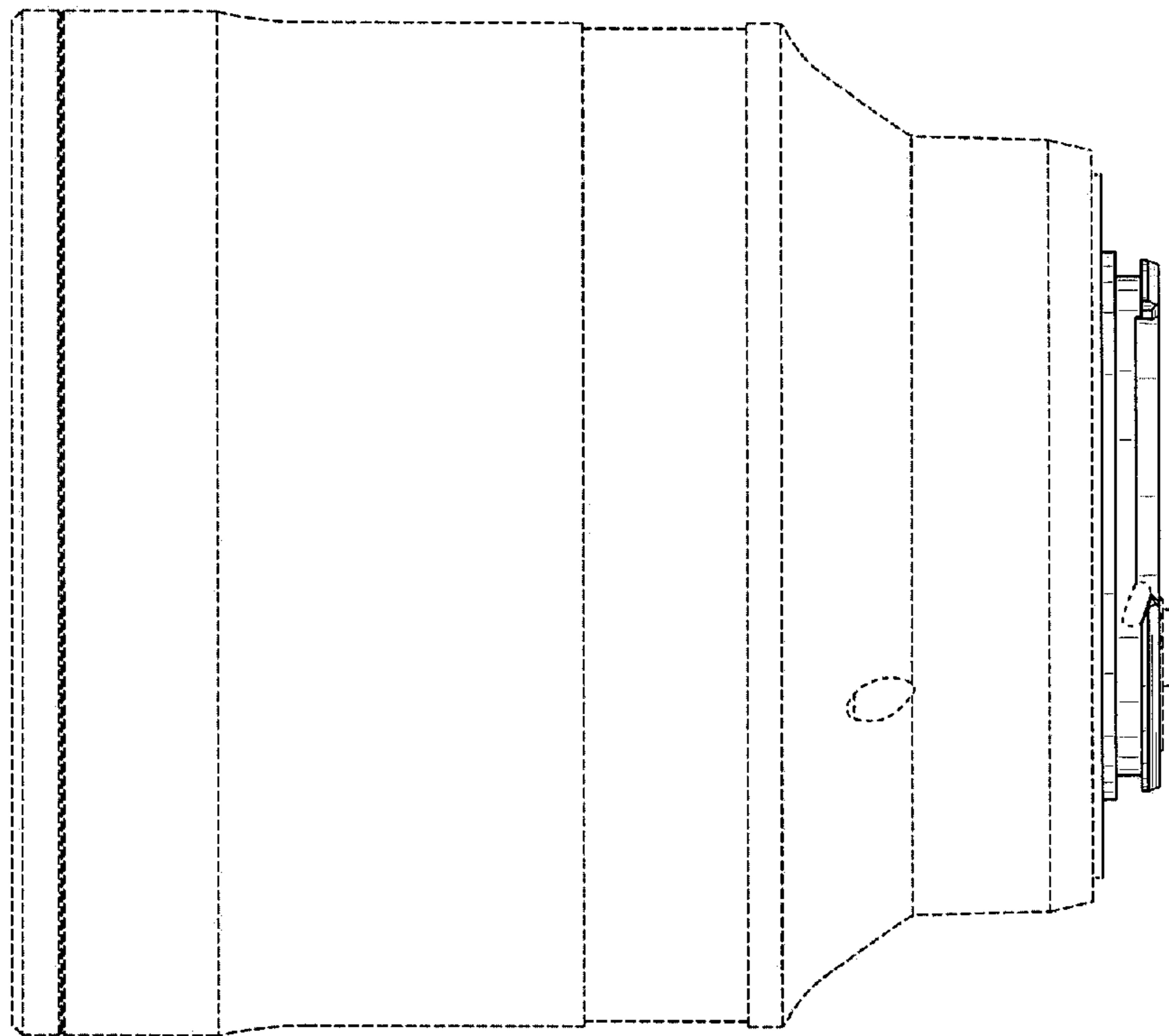


FIG. 6

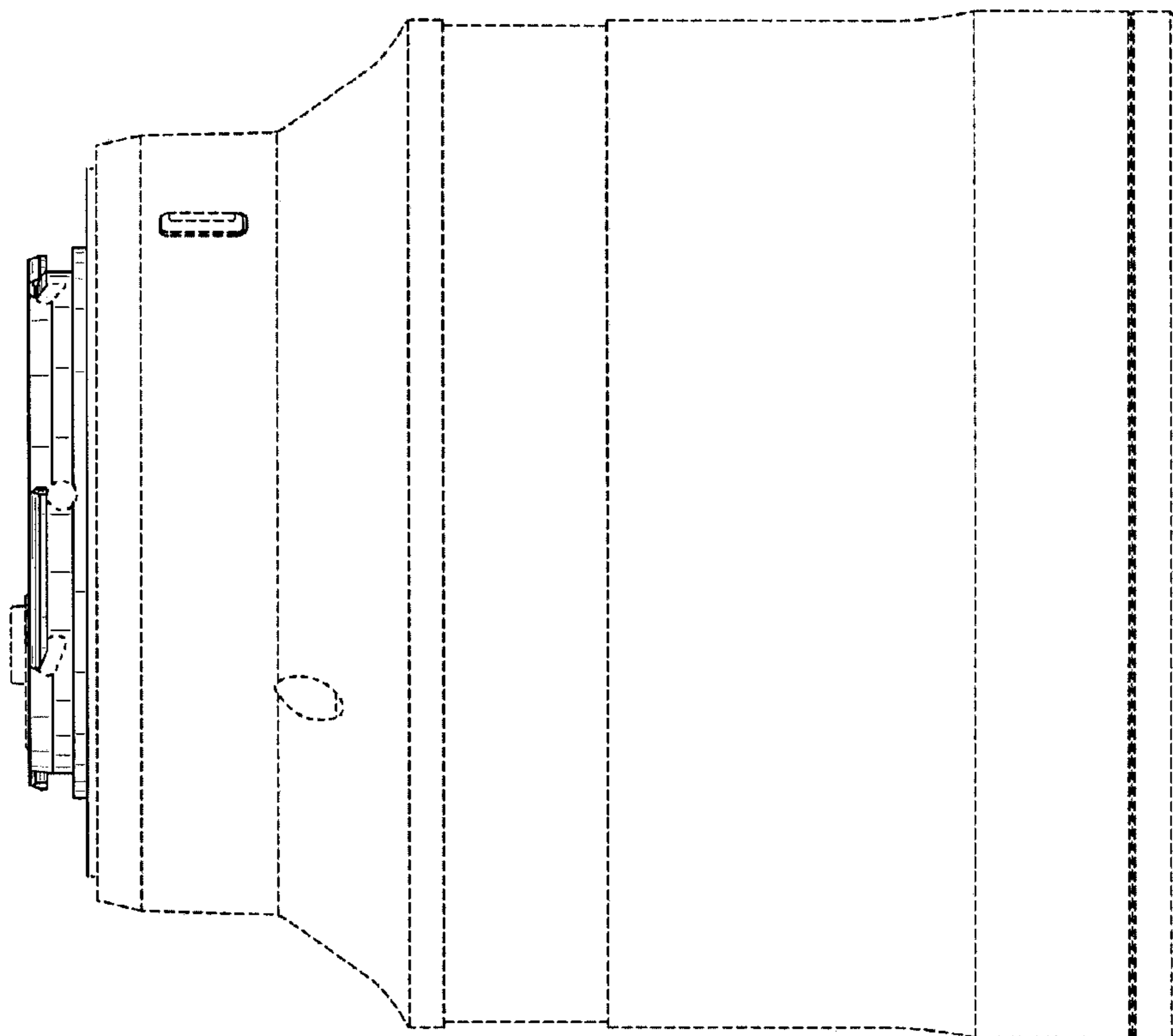


FIG. 7

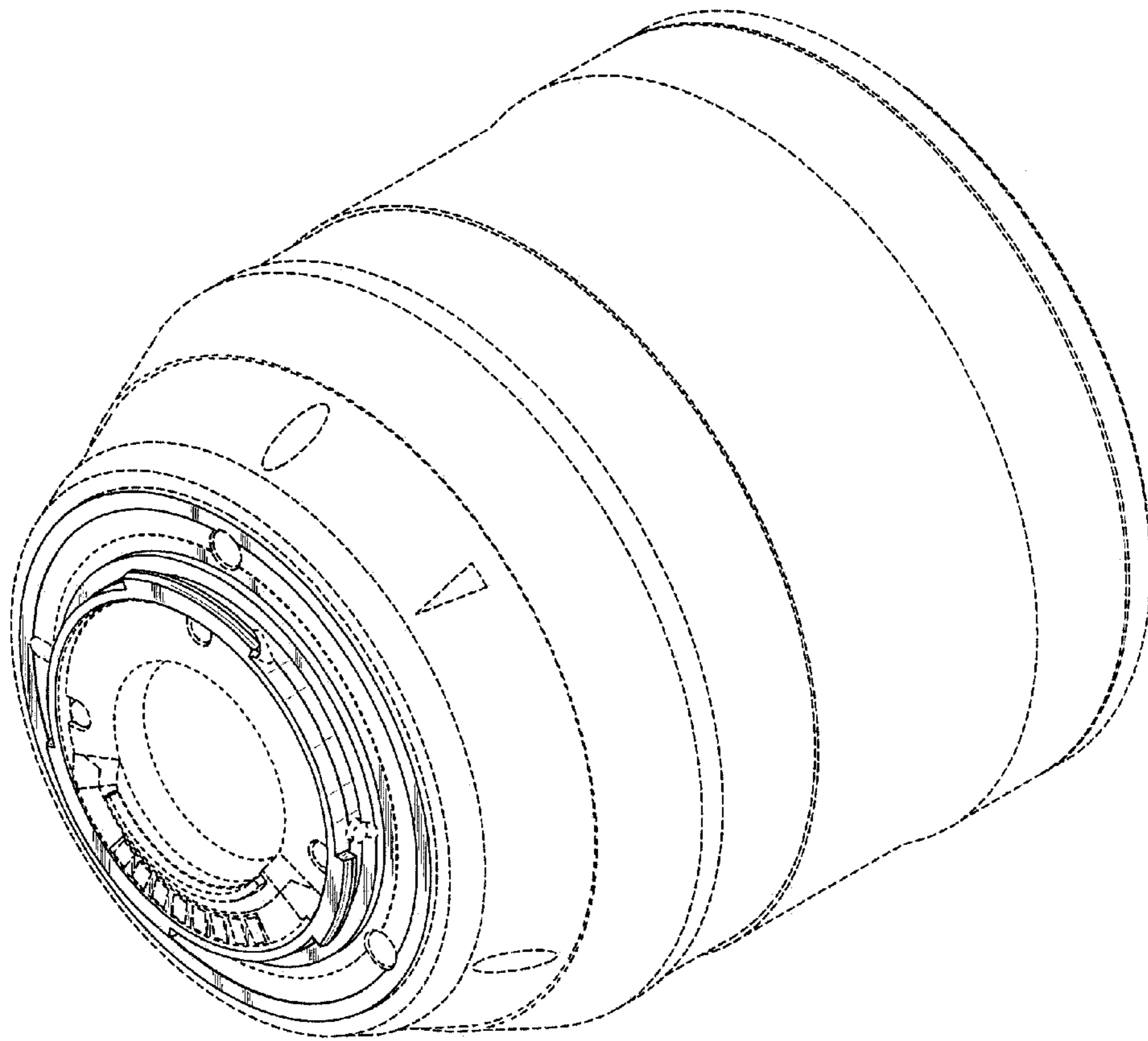


FIG. 8

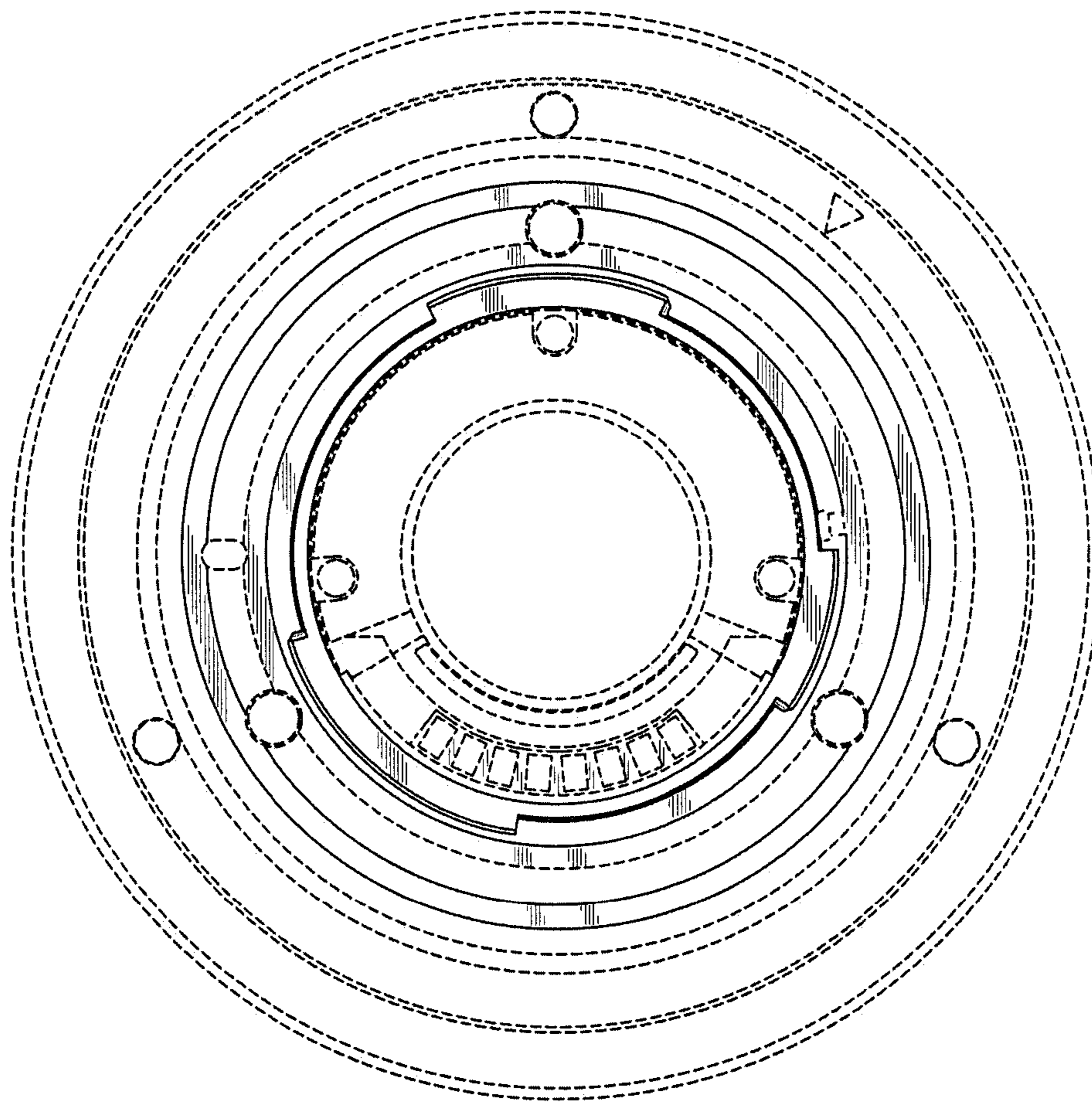


FIG. 9

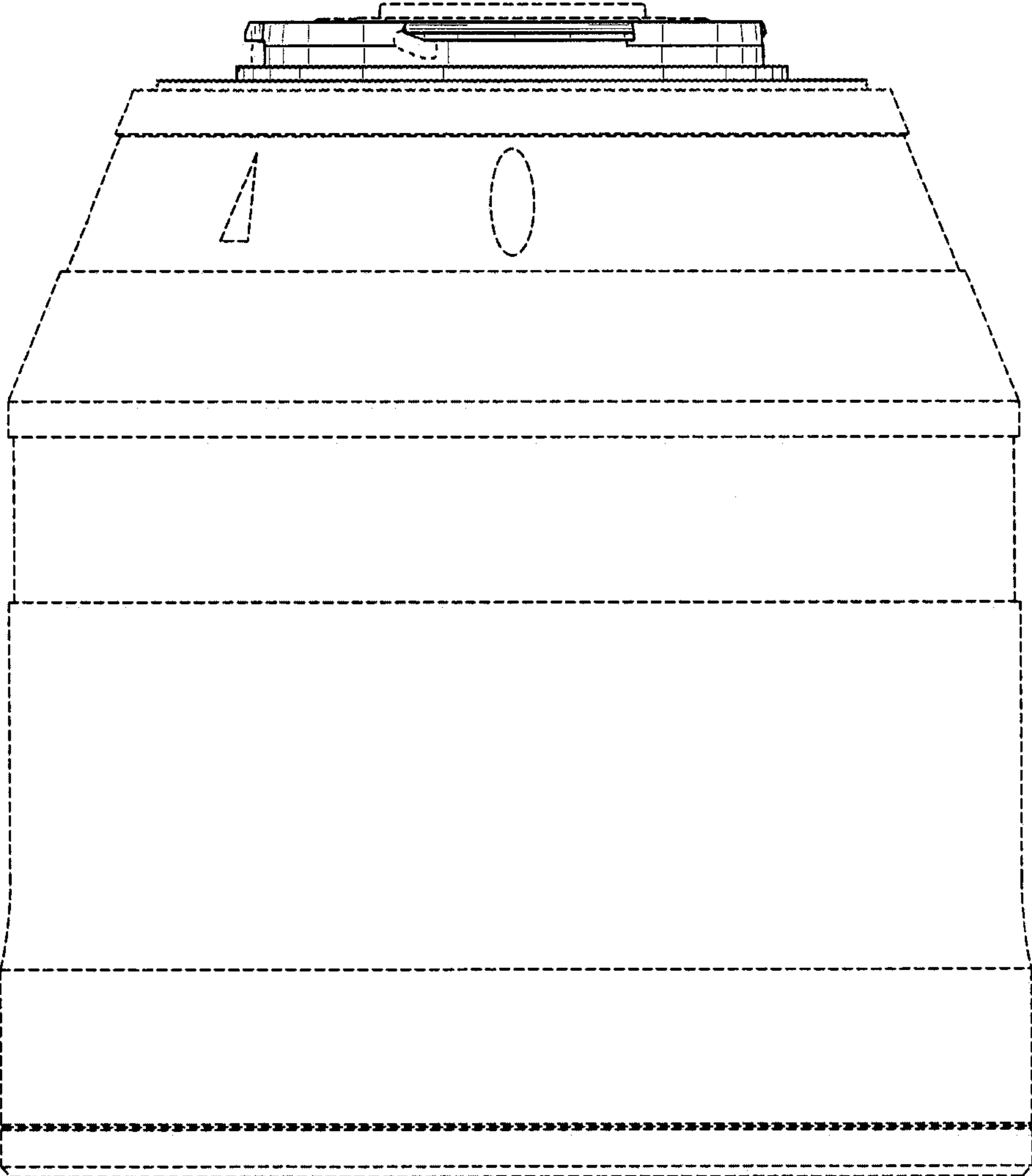


FIG. 10

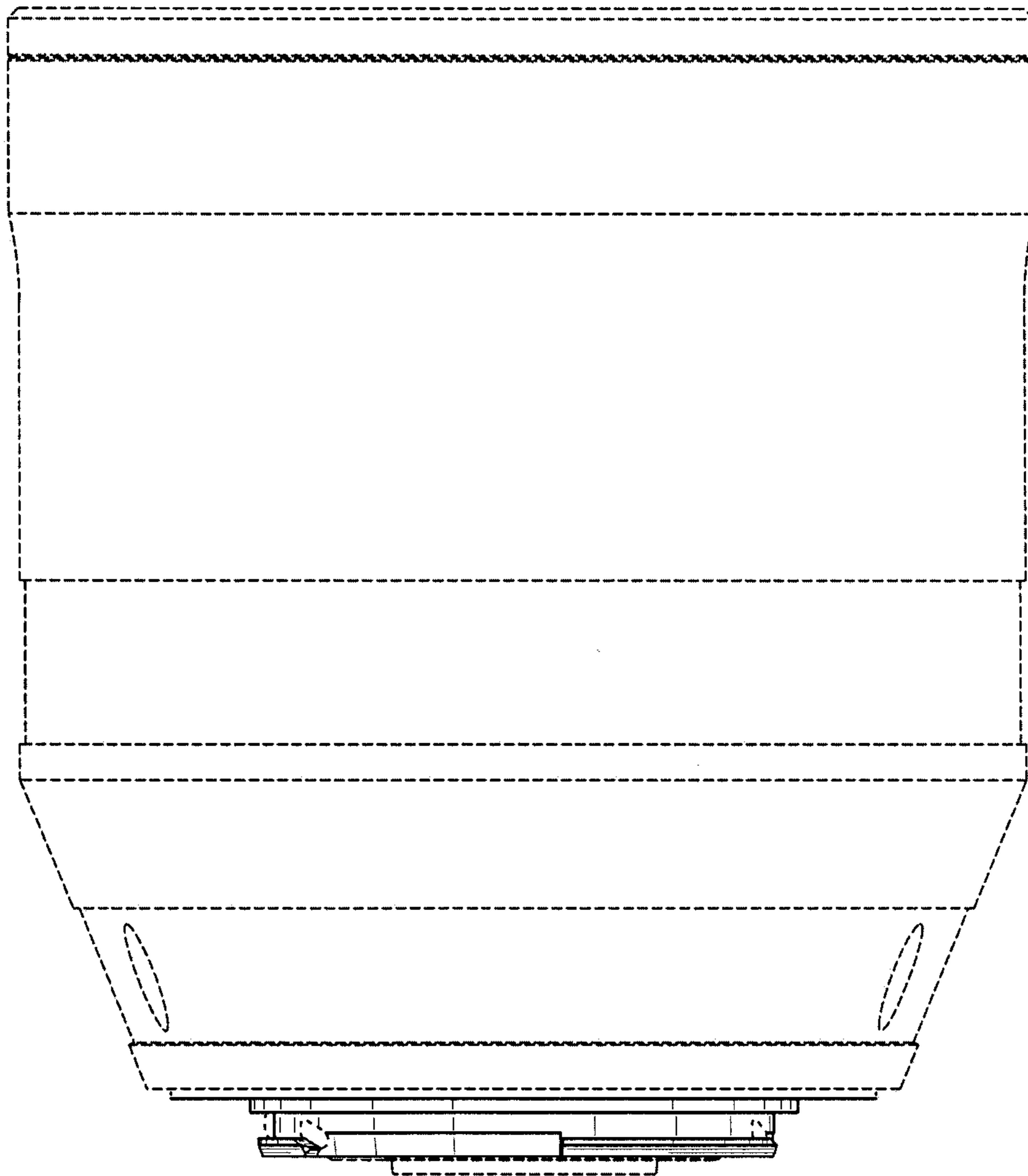


FIG. 11

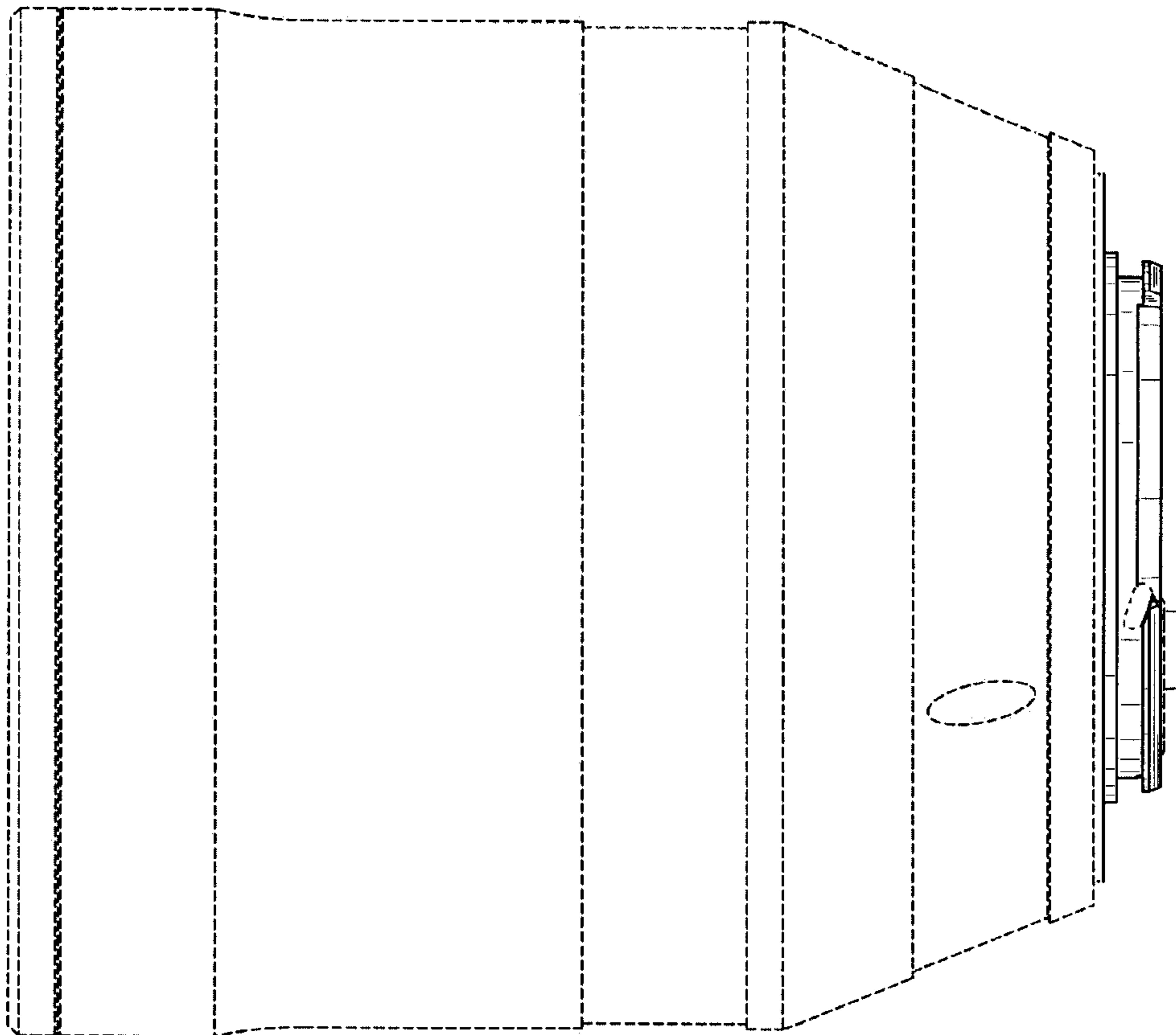


FIG. 12

