



US00D721116S

(12) **United States Design Patent**  
**Schnell**

(10) **Patent No.:** **US D721,116 S**  
(45) **Date of Patent:** **\*\* Jan. 13, 2015**

(54) **CAMERA**

(71) Applicant: **IP Holdings, Inc.**, Fort Worth, TX (US)

(72) Inventor: **Tim Schnell**, Rancho Santa Fe, CA (US)

(73) Assignee: **IP Holdings, Inc.**, Fort Worth, TX (US)

(\*\*) Term: **14 Years**

(21) Appl. No.: **29/447,779**

(22) Filed: **Mar. 6, 2013**

(51) **LOC (10) Cl.** ..... **16-05**

(52) **U.S. Cl.**  
USPC ..... **D16/219**; D16/218

(58) **Field of Classification Search**  
CPC ..... G03B 17/02; G03B 19/04; G03B 17/56;  
G03B 17/04; G03B 15/03; H04N 5/2251;  
H04N 5/2252; H04N 5/2253; H04N 5/2254;  
H04N 7/181; H04N 7/183; H04N 7/18;  
G08B 13/1963; G08B 13/19619; G08B  
13/19632; G08B 13/19602; G08B 13/19634;  
F16M 11/04; F16M 13/00  
USPC ..... D16/200, 202–206, 218, 219, 242;  
348/143, 148, 151, 155, 164, 373–376;  
396/419, 427, 535, 539–541  
See application file for complete search history.

(56) **References Cited**

**U.S. PATENT DOCUMENTS**

7,534,056 B2 \* 5/2009 Cross et al. .... 396/427  
D616,009 S \* 5/2010 Schnell ..... D16/218

D628,224 S \* 11/2010 Barley et al. .... D16/203  
D628,614 S \* 12/2010 Barley et al. .... D16/219  
D638,047 S \* 5/2011 Lian ..... D16/203  
D653,276 S \* 1/2012 Schnell ..... D16/218  
D655,735 S \* 3/2012 Barley et al. .... D16/203  
D655,736 S \* 3/2012 Barley et al. .... D16/203  
D673,990 S \* 1/2013 Schnell ..... D16/218  
D673,991 S \* 1/2013 Schnell ..... D16/218  
D691,647 S \* 10/2013 Ye ..... D16/218  
2010/0208068 A1 \* 8/2010 Elsemore ..... 348/143  
2011/0122248 A1 \* 5/2011 Goodman ..... 348/143

\* cited by examiner

*Primary Examiner* — Adir Aronovich

*Assistant Examiner* — Ramzi Almatrahi

(74) *Attorney, Agent, or Firm* — Knobbe, Martens, Olson & Bear, LLP

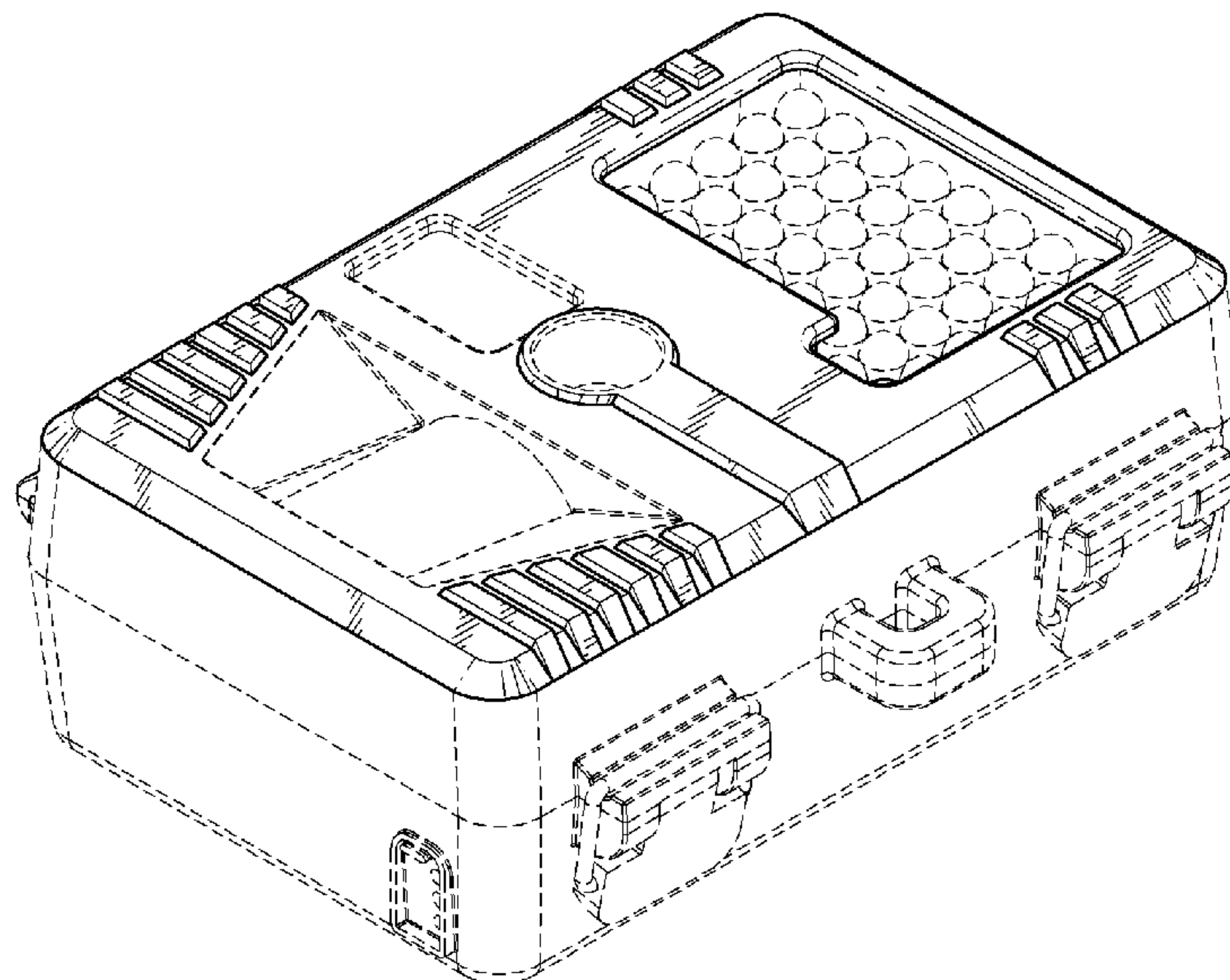
(57) **CLAIM**

The ornamental design for a camera, as shown and described.

**DESCRIPTION**

FIG. 1 is a bottom, front, and right side perspective view of a camera showing my new design;  
FIG. 2 is a bottom, rear, and left side perspective view of FIG. 1;  
FIG. 3 is a front elevational view of FIG. 1;  
FIG. 4 is a rear elevational view of FIG. 1;  
FIG. 5 is a right side elevational view of FIG. 1;  
FIG. 6 is a left side elevational view of FIG. 1;  
FIG. 7 is a bottom plan view of FIG. 1; and,  
FIG. 8 is a top plan view of FIG. 1.  
The broken lines depict the portions of a camera in which the design is embodied and form no part of the claimed design.

**1 Claim, 6 Drawing Sheets**



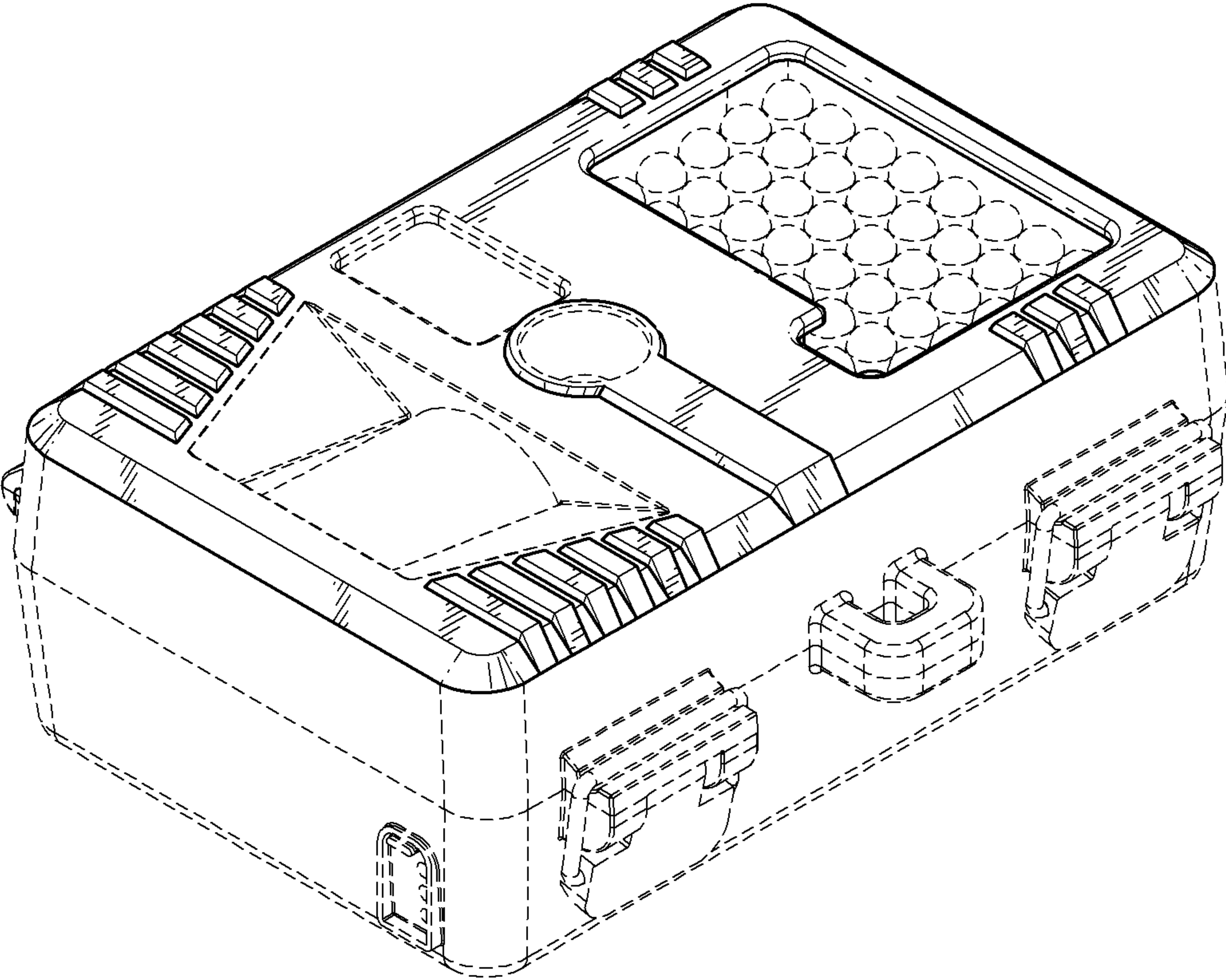


FIG. 1

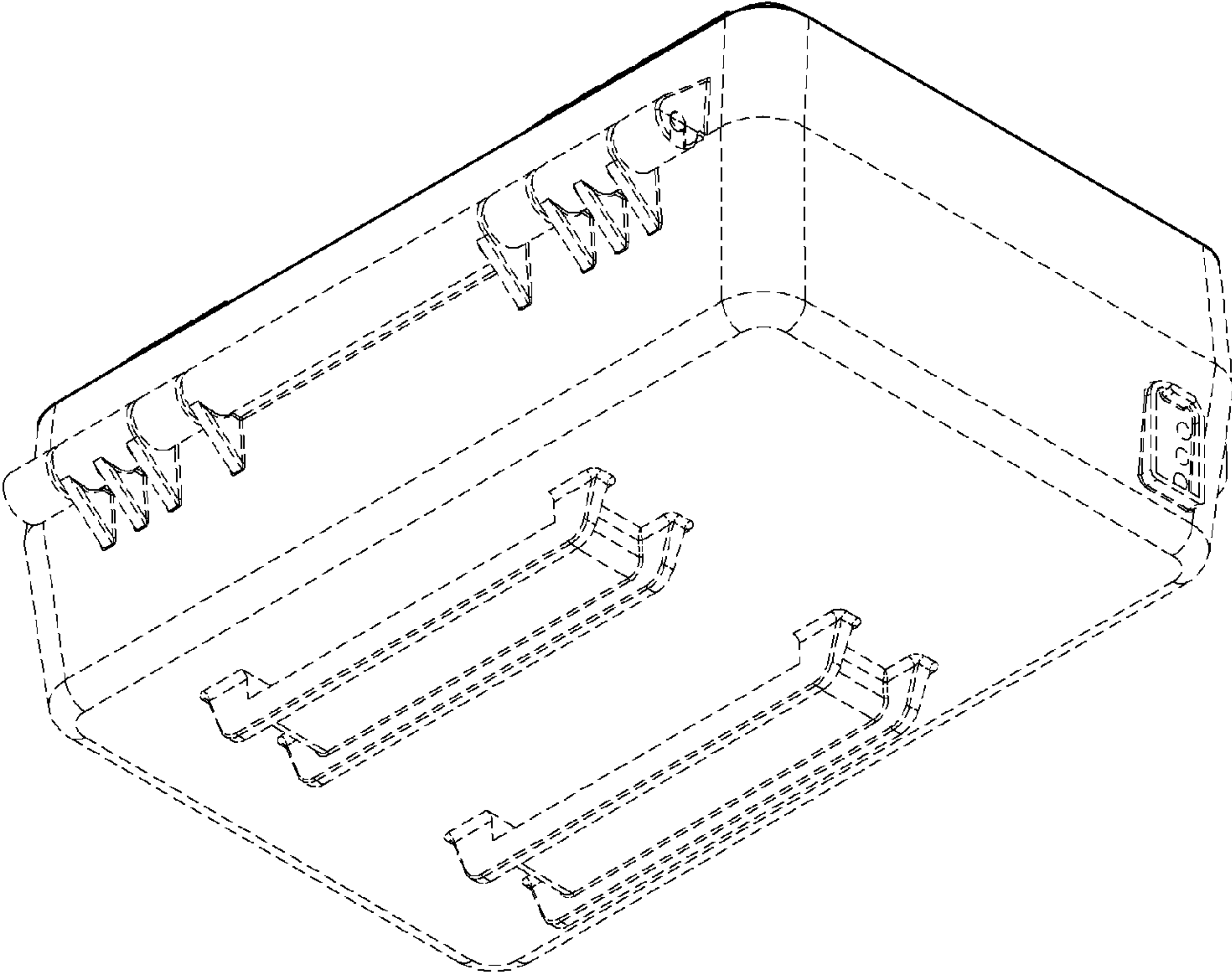


FIG. 2

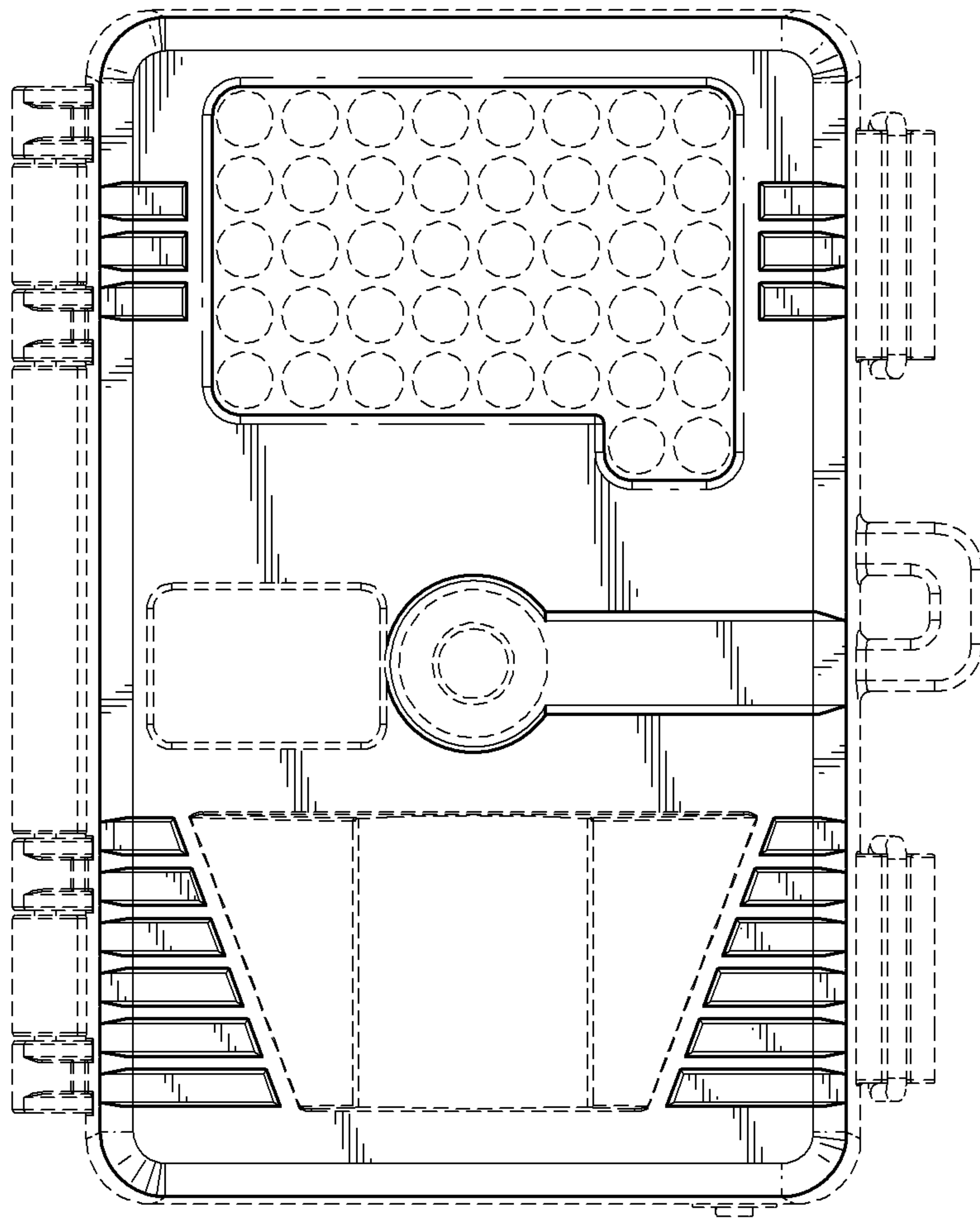


FIG. 3

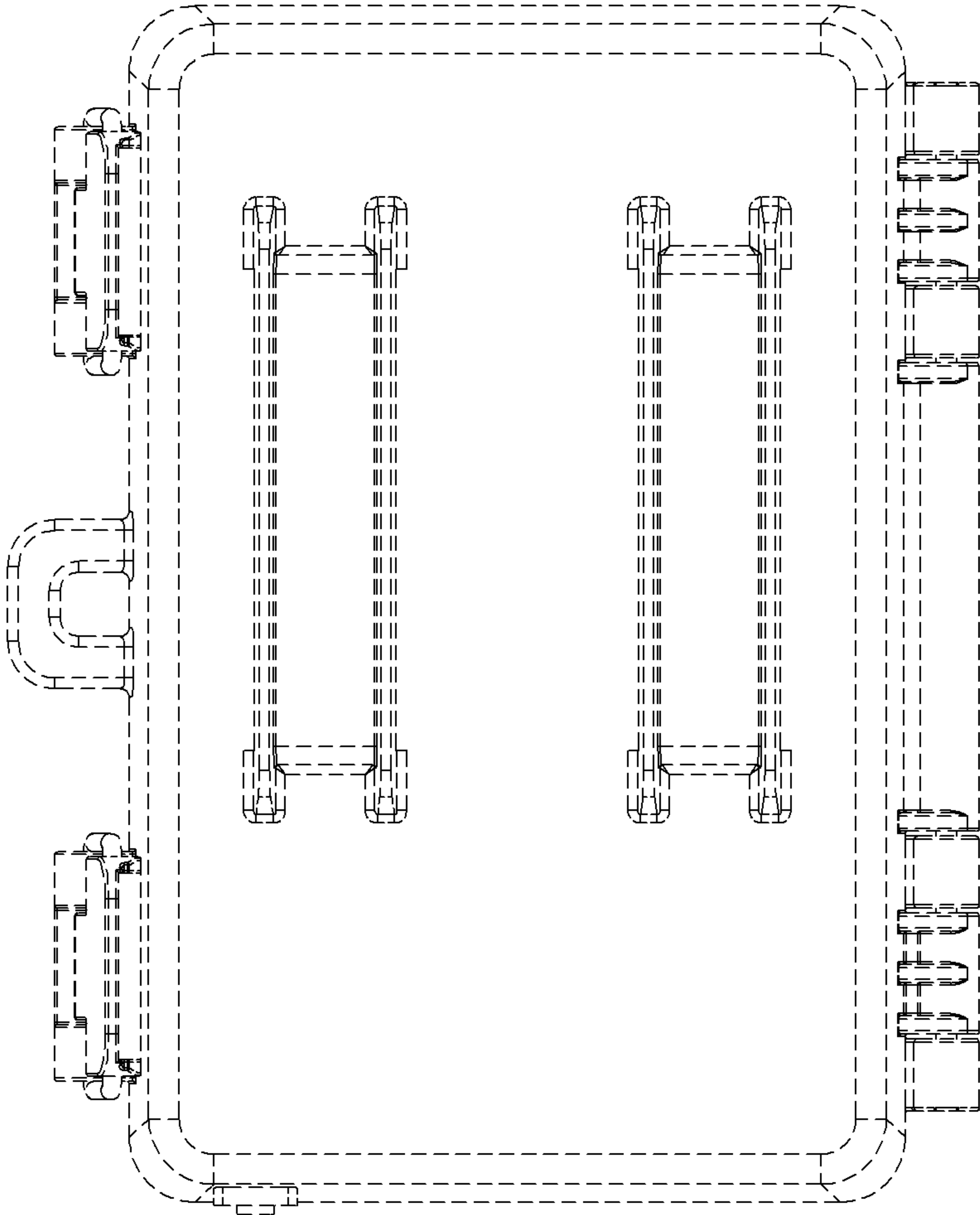


FIG. 4



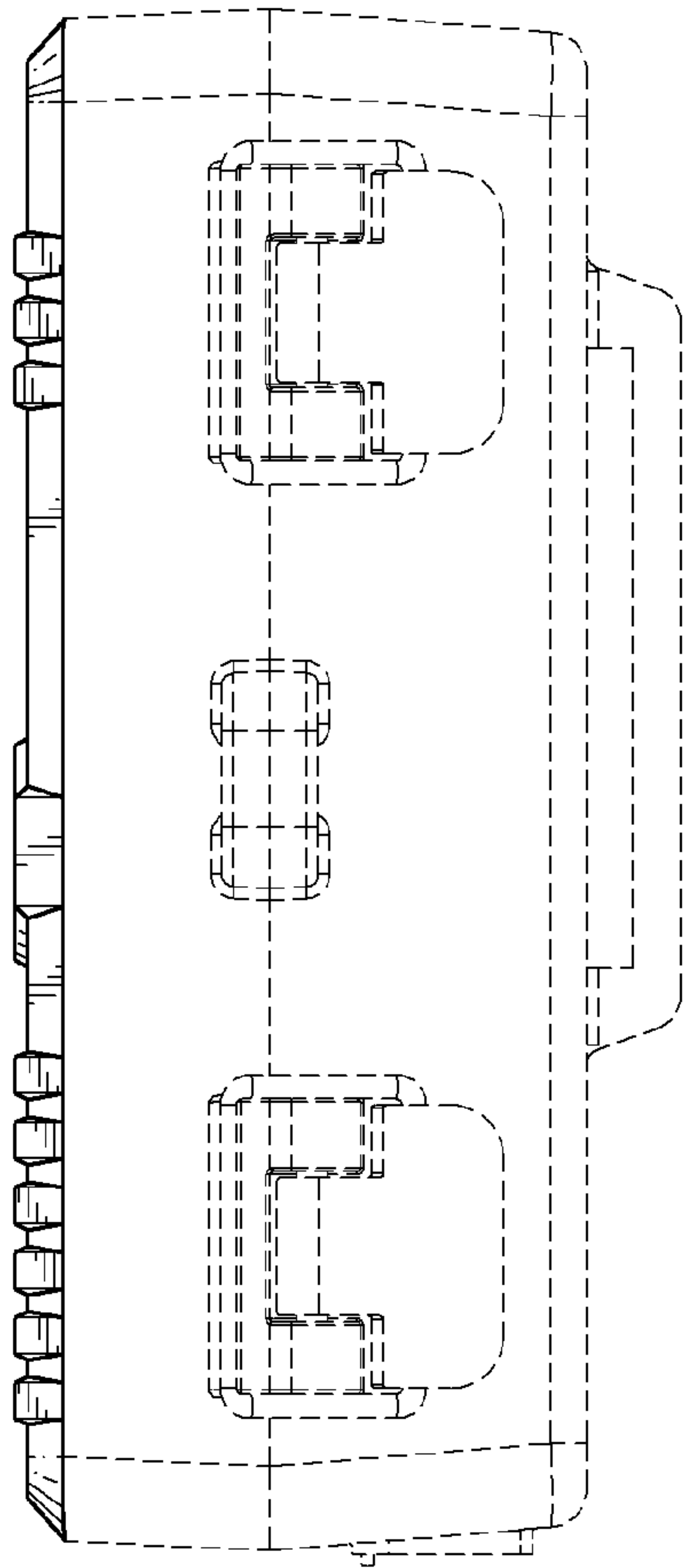


FIG. 5

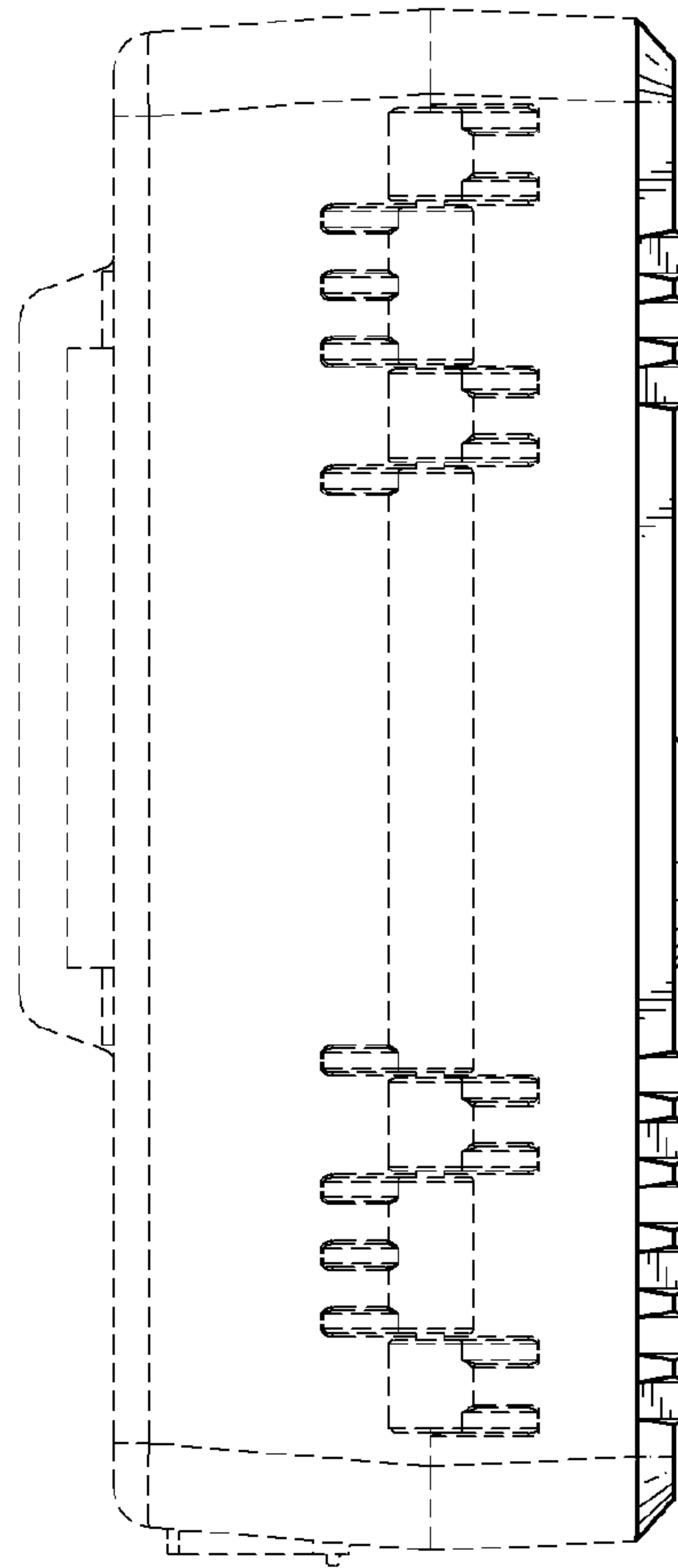


FIG. 6

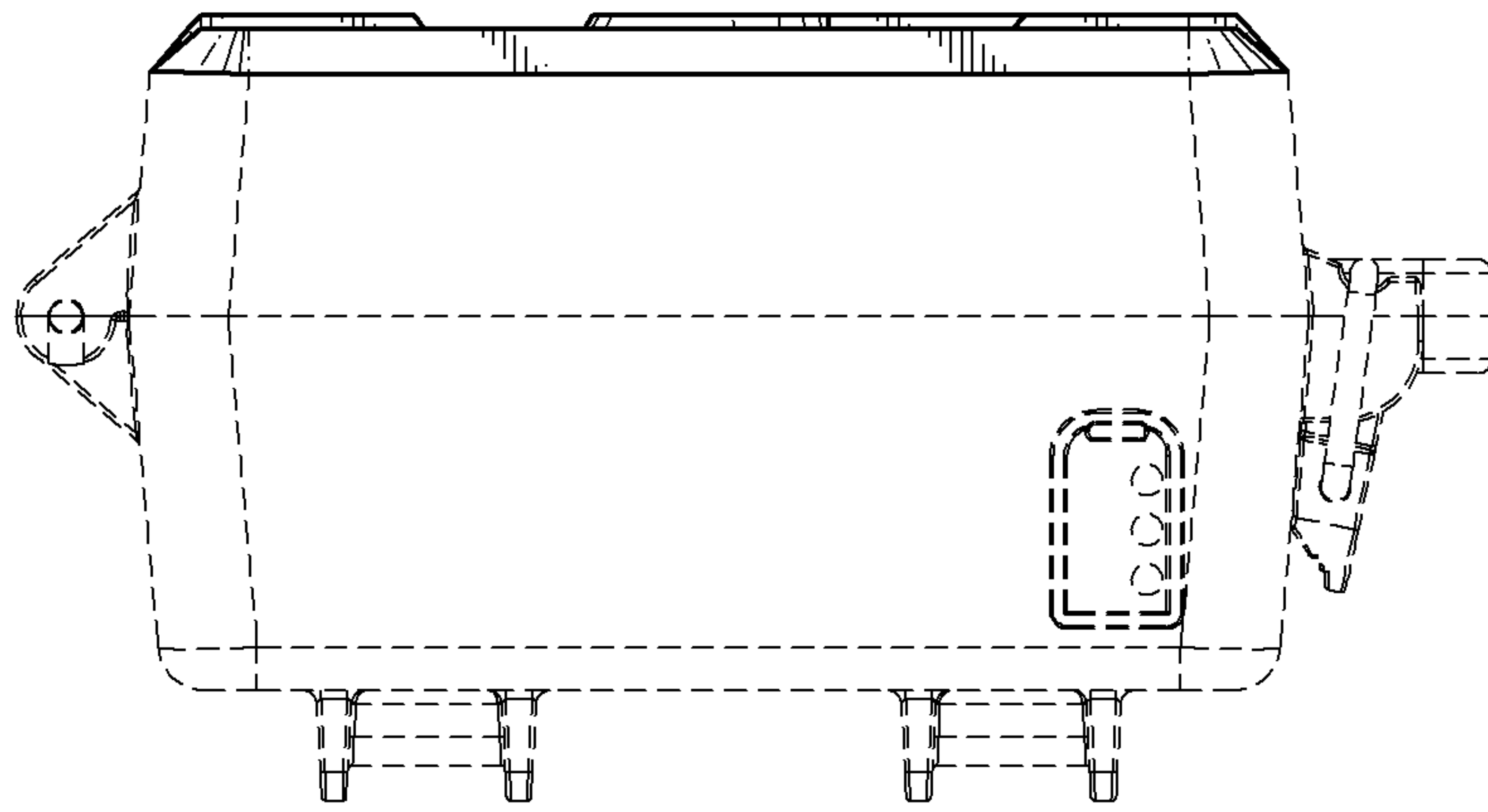


FIG. 7

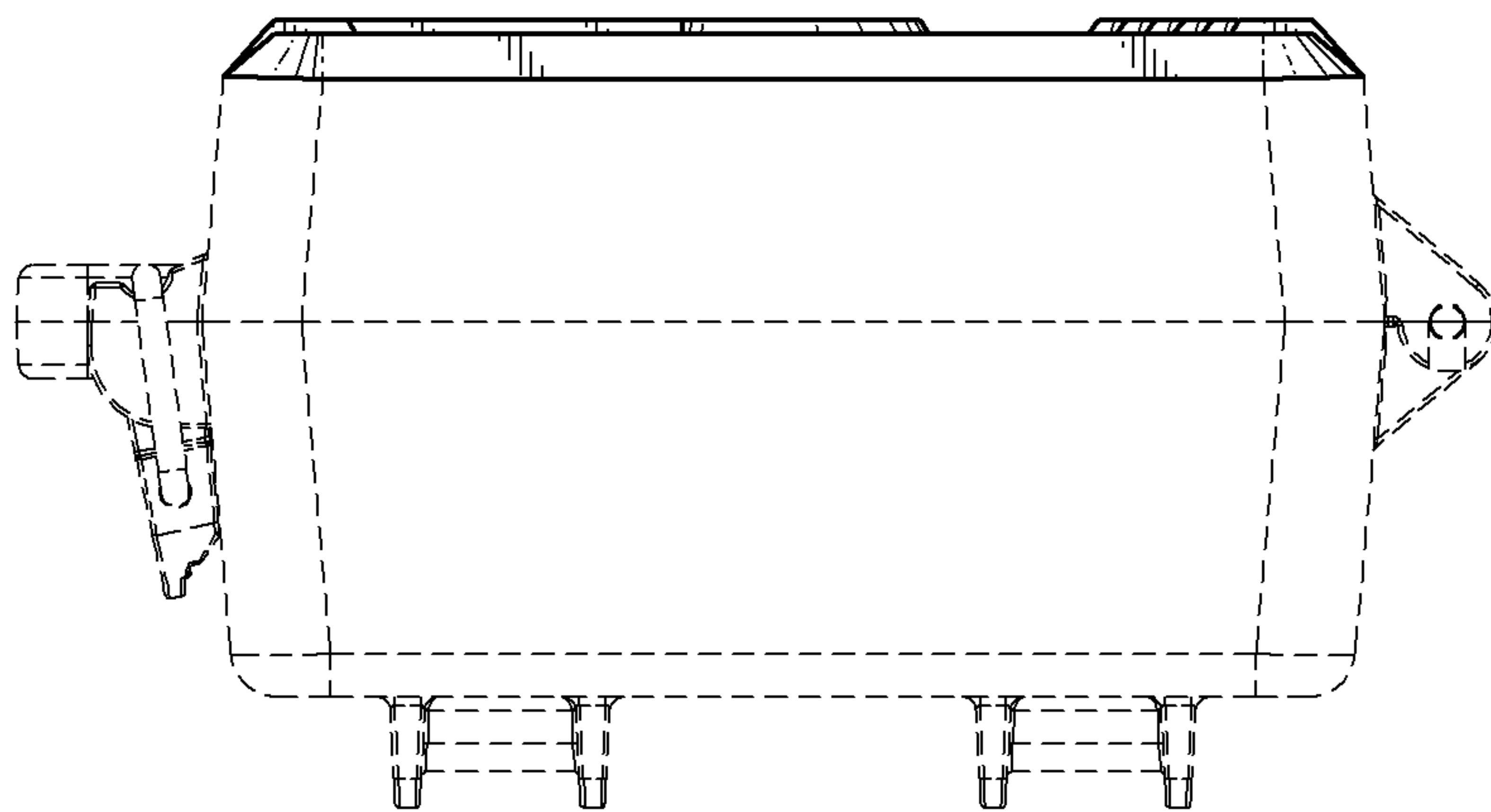


FIG. 8