



US00D721113S

(12) **United States Design Patent**  
**Huang**

(10) **Patent No.:** **US D721,113 S**  
(45) **Date of Patent:** **\*\* Jan. 13, 2015**

(54) **CAMERA**

(71) Applicant: **Vivotek Inc.**, New Taipei (TW)

(72) Inventor: **Chung-Yon Huang**, New Taipei (TW)

(73) Assignee: **Vivotek Inc.**, New Taipei (TW)

(\*\*) Term: **14 Years**

(21) Appl. No.: **29/444,356**

(22) Filed: **Jan. 30, 2013**

(30) **Foreign Application Priority Data**

Aug. 7, 2012 (TW) ..... 101304519

(51) **LOC (10) Cl.** ..... **16-01**

(52) **U.S. Cl.**  
USPC ..... **D16/202**

(58) **Field of Classification Search**

CPC ..... G03B 17/02; G03B 19/04; G03B 17/56;  
G03B 17/04; G03B 15/03; H04N 5/2251;  
H04N 5/2252; H04N 5/2253; H04N 5/2254;  
H04N 7/181; H04N 7/183; H04N 7/18;  
G08B 13/1963; G08B 13/19619; G08B  
13/19632; F16M 11/04; F16M 13/00  
USPC ..... D16/200, 202-206, 208, 218, 219, 242;  
D14/248; 348/143, 148, 151, 164,  
348/373-376; 358/909.1; 396/419, 427,  
396/535, 539-541

See application file for complete search history.

(56) **References Cited**

**U.S. PATENT DOCUMENTS**

D429,269 S \* 8/2000 Renkis ..... D16/203  
D496,355 S \* 9/2004 Harshbarger et al. .... D14/248  
D501,494 S \* 2/2005 Ogura ..... D16/202  
D592,231 S \* 5/2009 Schnell ..... D16/202  
D617,821 S \* 6/2010 Kaplan et al. .... D16/202

D618,265 S \* 6/2010 Wozniak ..... D16/202  
D633,930 S \* 3/2011 Dinger et al. .... D16/202  
D638,458 S \* 5/2011 Miyamori et al. .... D16/202  
D641,771 S \* 7/2011 Sasaki et al. .... D16/202  
D664,177 S \* 7/2012 Oikawa et al. .... D16/202  
D690,760 S \* 10/2013 Huang ..... D16/242  
2011/0228083 A1\* 9/2011 Su ..... 348/143  
2013/0038728 A1\* 2/2013 Kim ..... 348/143

\* cited by examiner

*Primary Examiner* — Susan E Krakower

*Assistant Examiner* — Ramzi Almatrahi

(74) *Attorney, Agent, or Firm* — Morris Manning & Martin LLP; Tim Tingkang Xia, Esq.

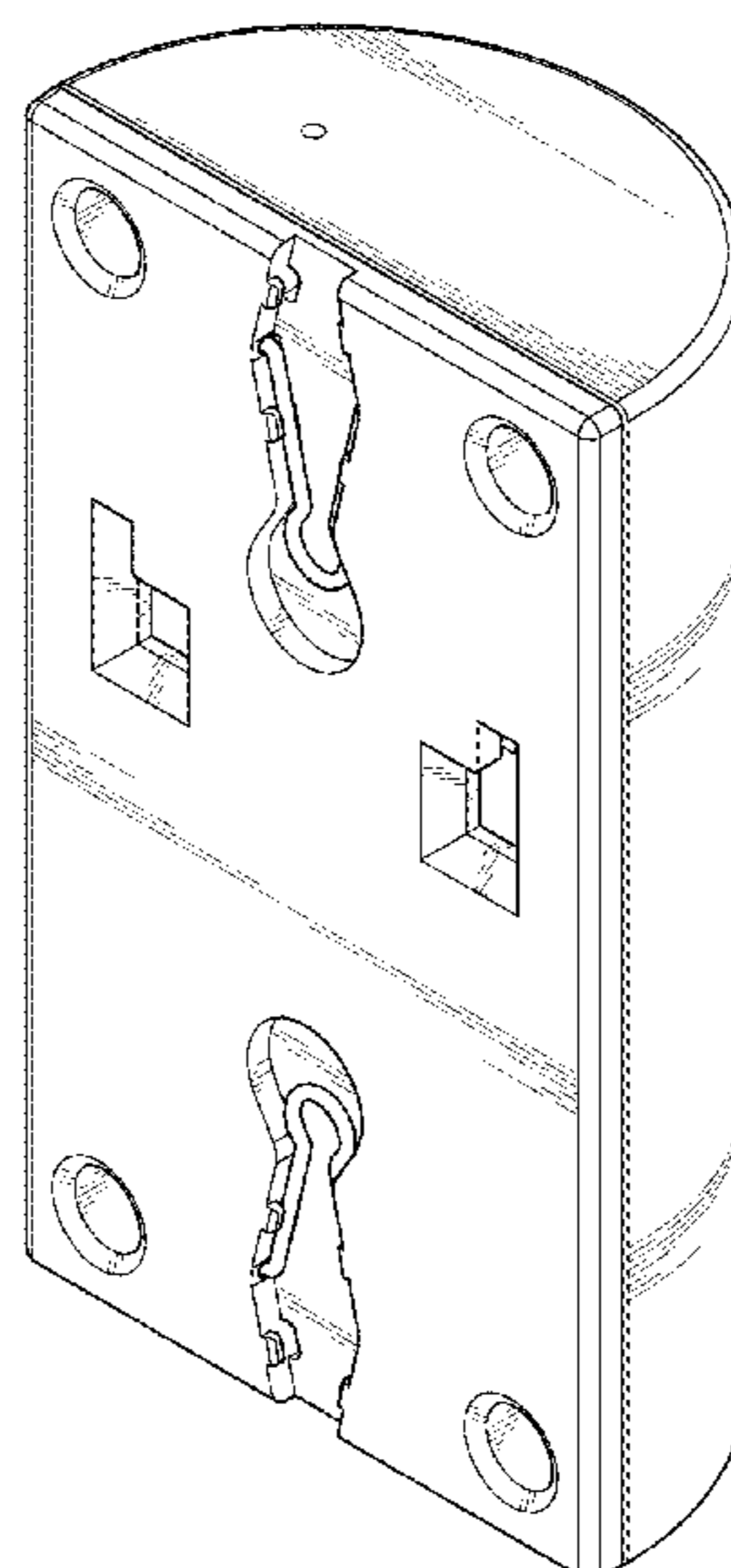
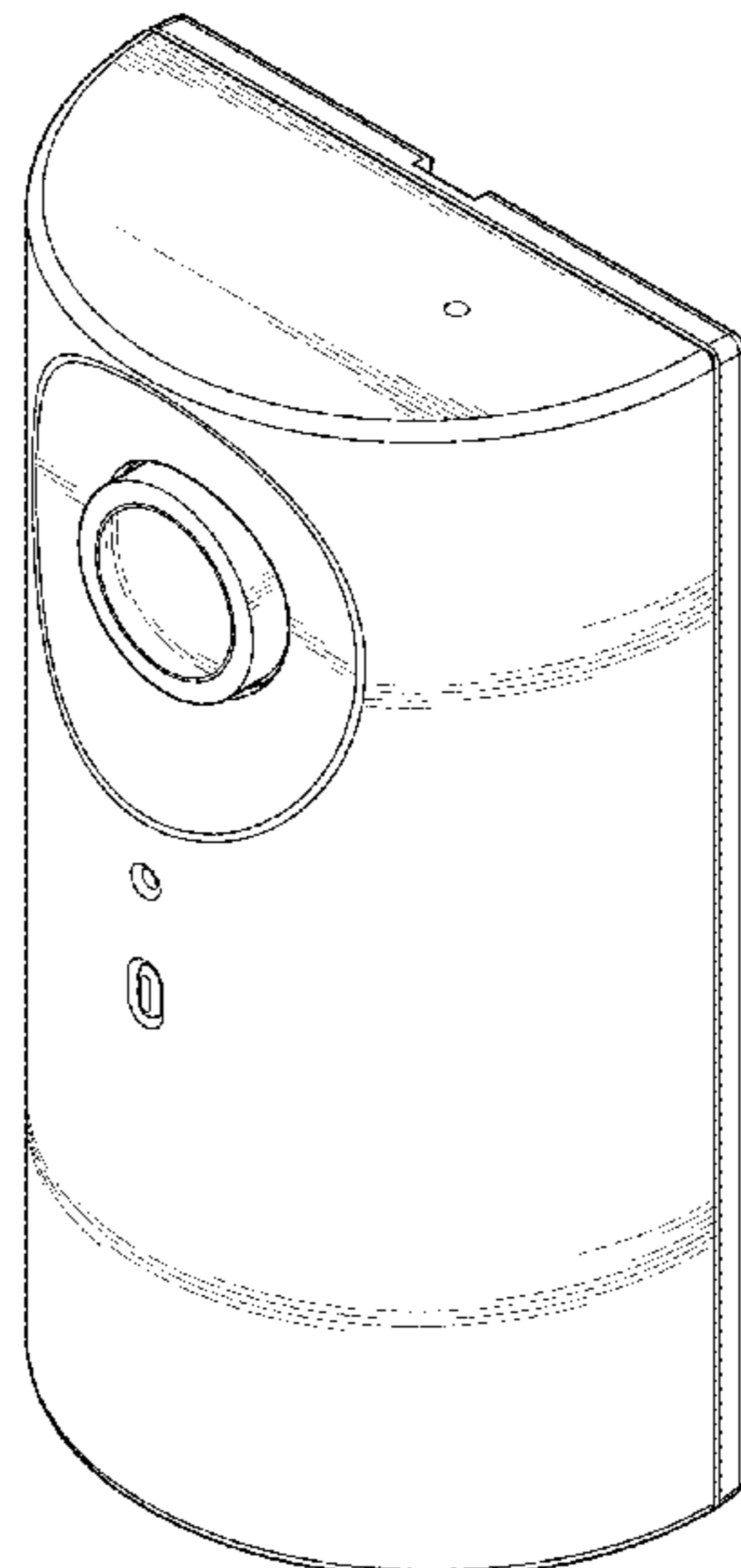
(57) **CLAIM**

The ornamental design for a “camera,” as shown and described.

**DESCRIPTION**

FIG. 1 is a front perspective view of a camera showing our new design;  
FIG. 2 is a rear perspective view thereof;  
FIG. 3 is a front view thereof;  
FIG. 4 is a rear view thereof;  
FIG. 5 is a left side view thereof;  
FIG. 6 is a right side view thereof;  
FIG. 7 is a top view thereof;  
FIG. 8 is a bottom view thereof; and,  
FIG. 9 is a rear perspective view thereof, with the back plate buckle in an alternate position;  
FIG. 10 is a front perspective view of the camera with an unclaimed base portion; and,  
FIG. 11 is a front perspective view of the camera with an unclaimed base portion, with the back plate buckle in an alternate position.  
The broken lines illustrate environmental structure and portions of the camera which form no part of the claimed design.

**1 Claim, 9 Drawing Sheets**



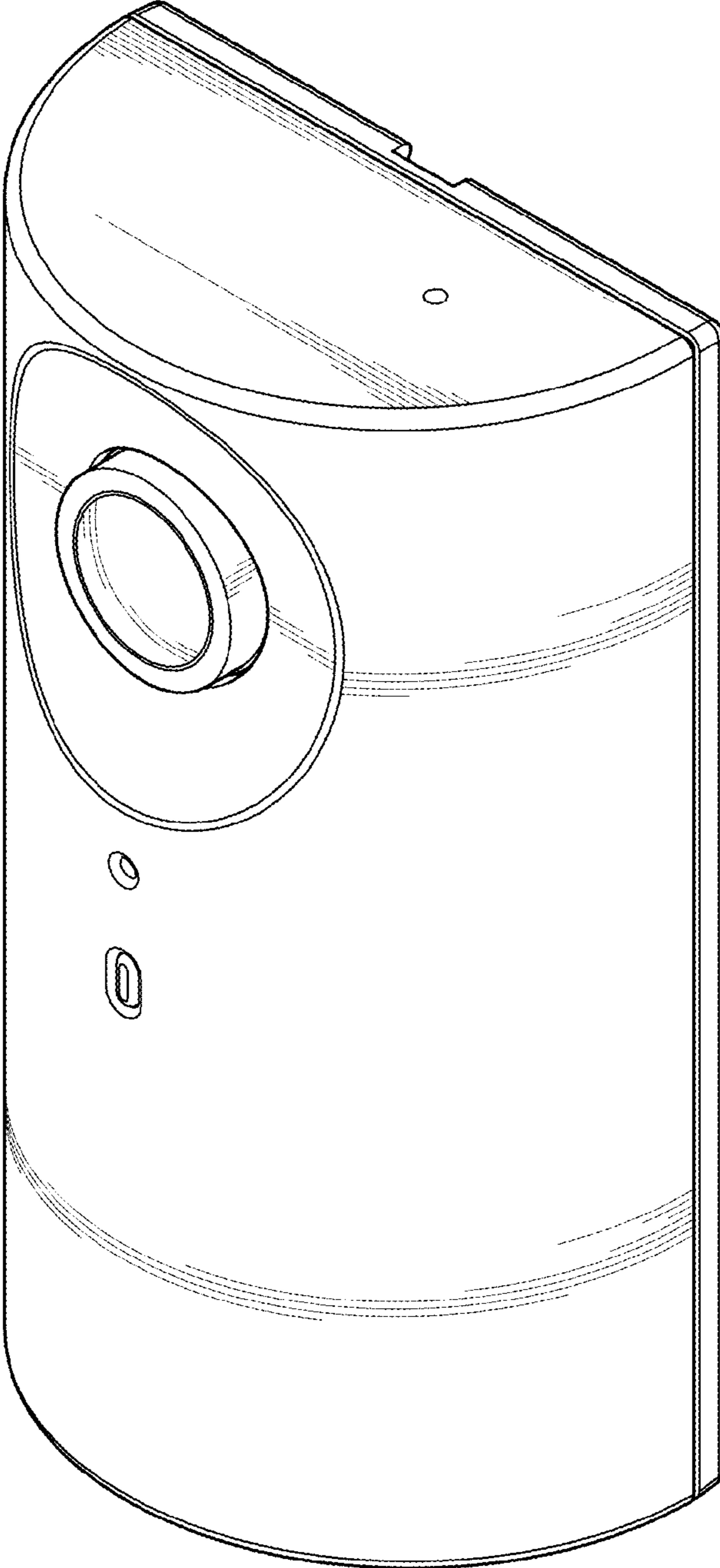


FIG. 1

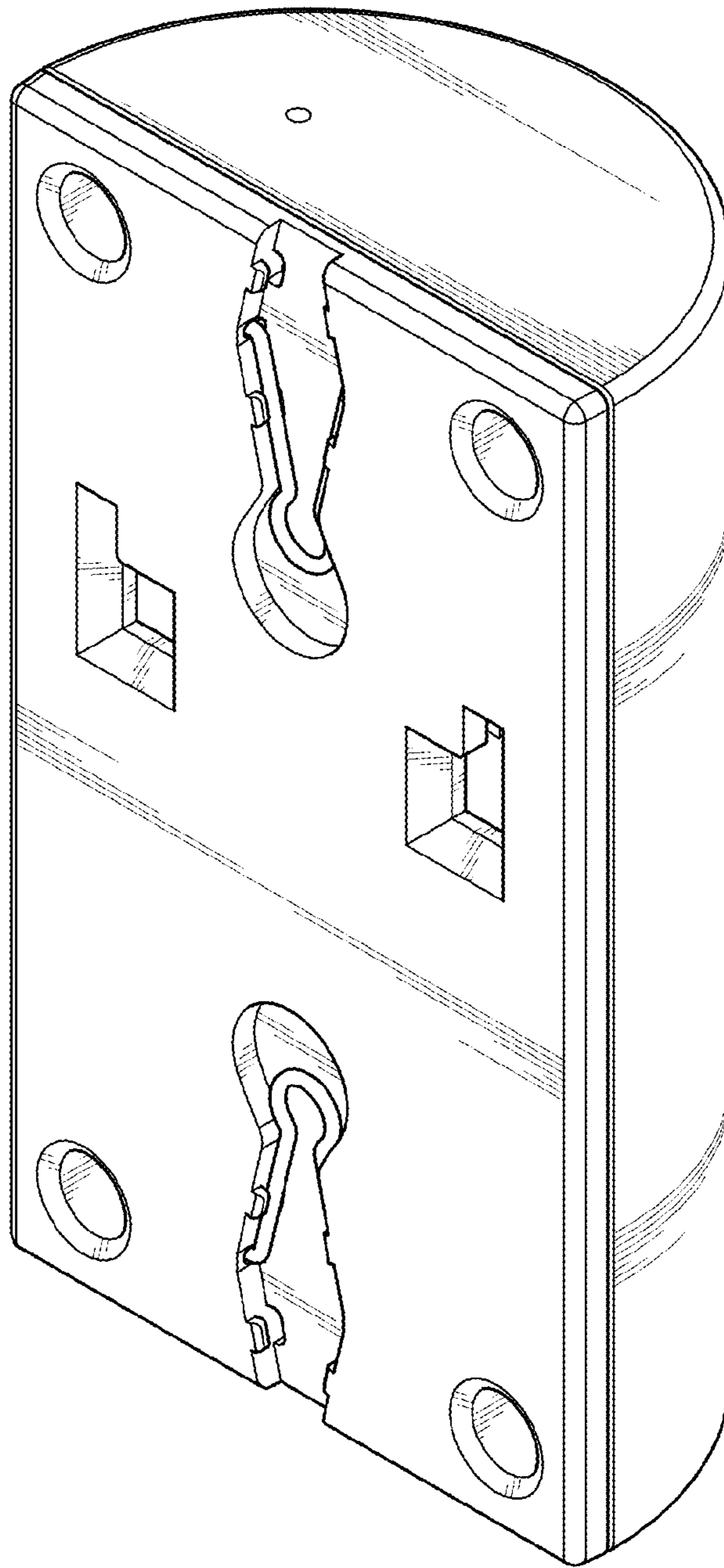


FIG. 2

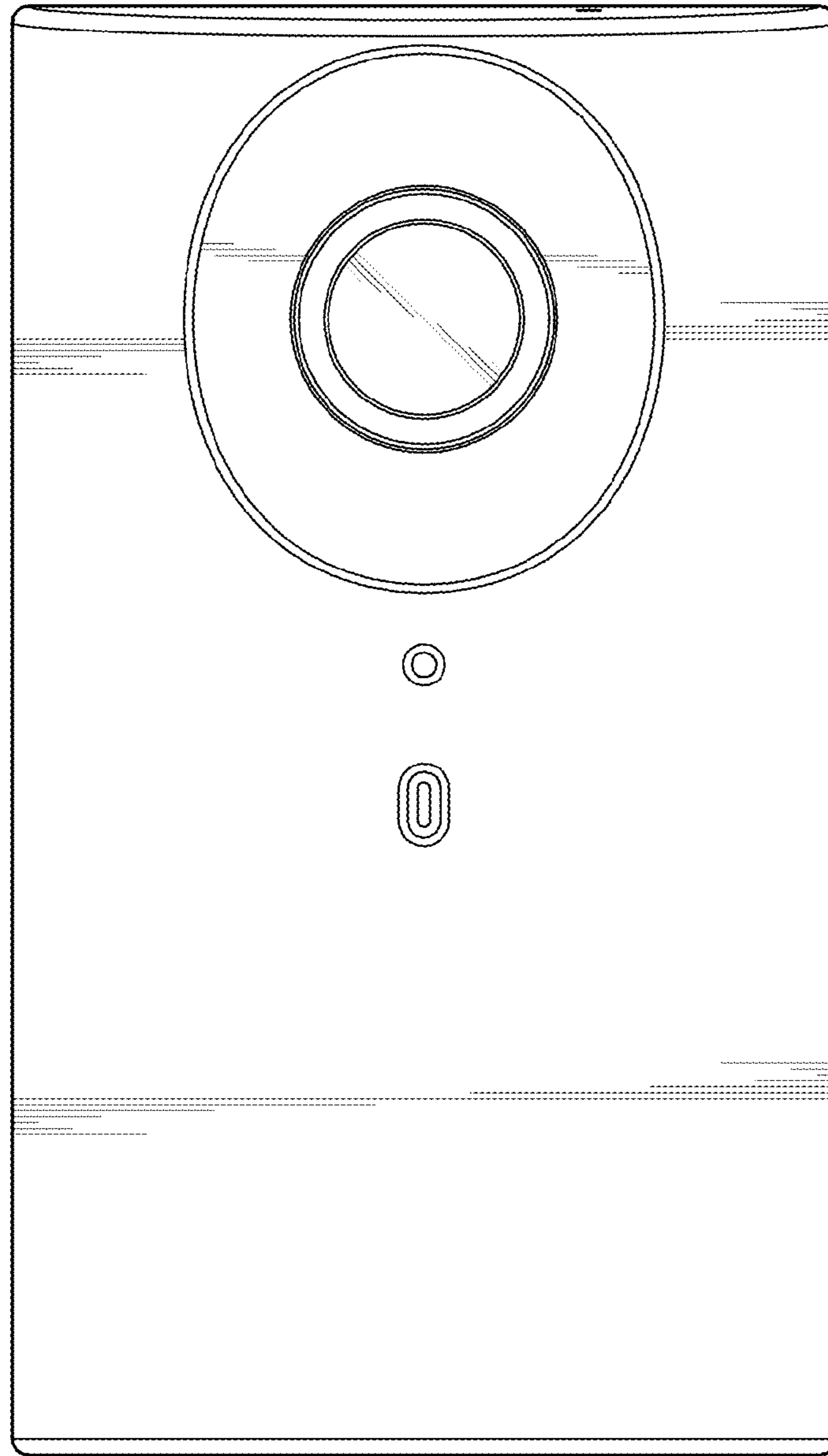


FIG. 3



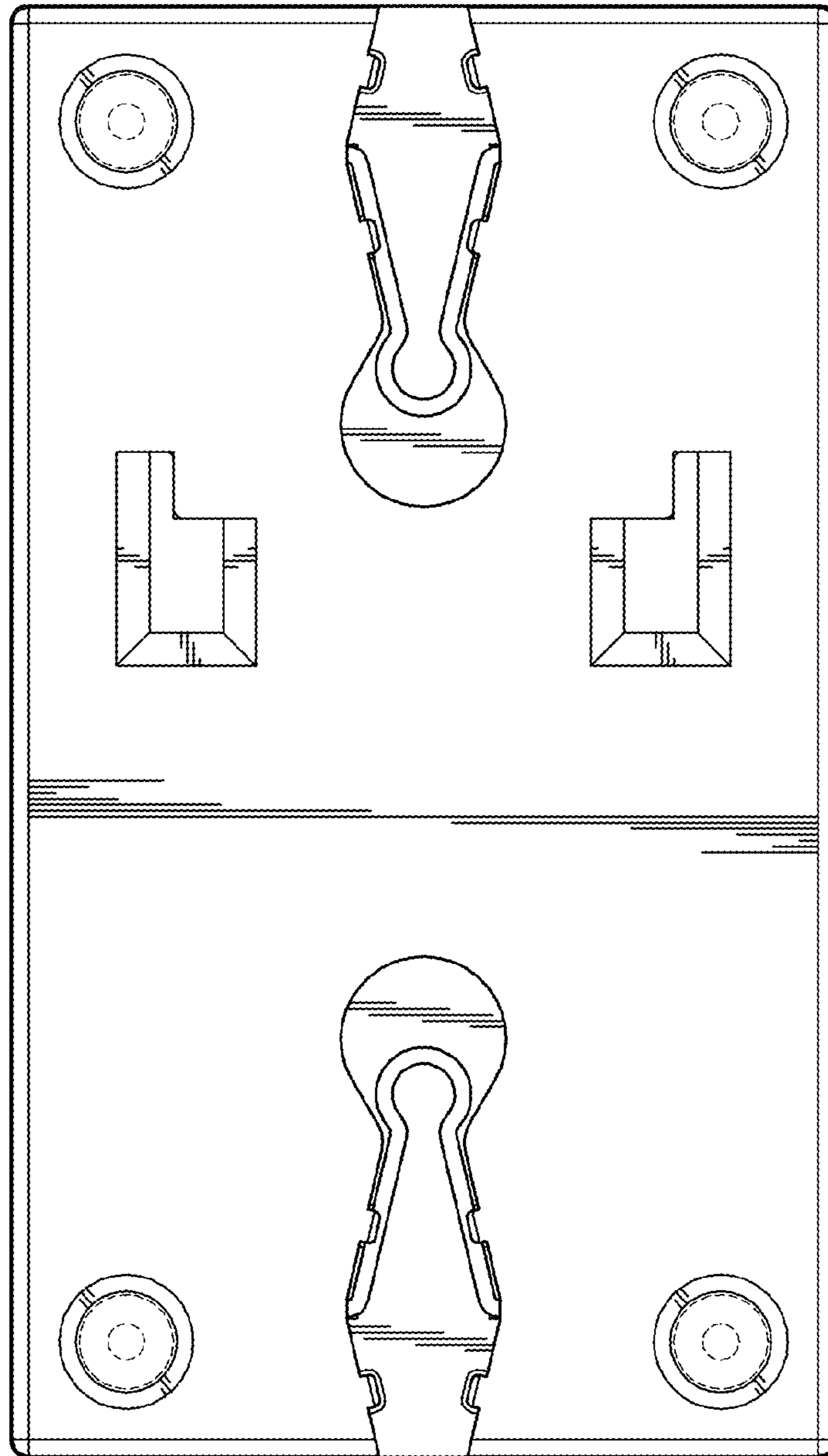


FIG. 4

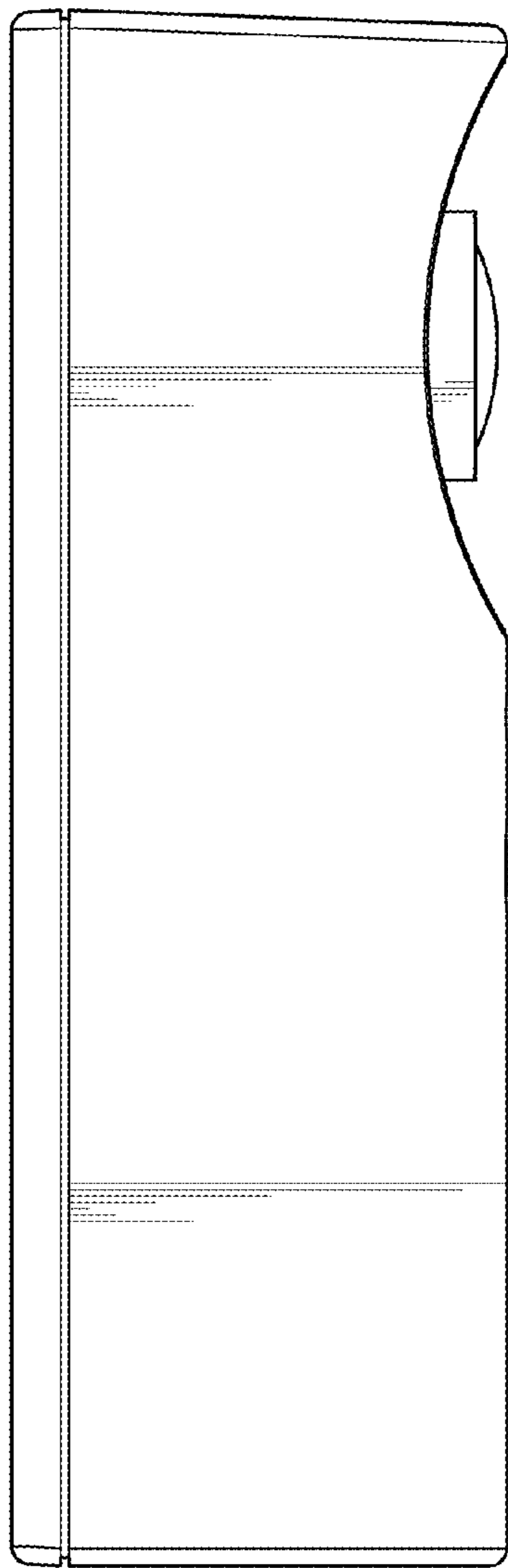


FIG. 5

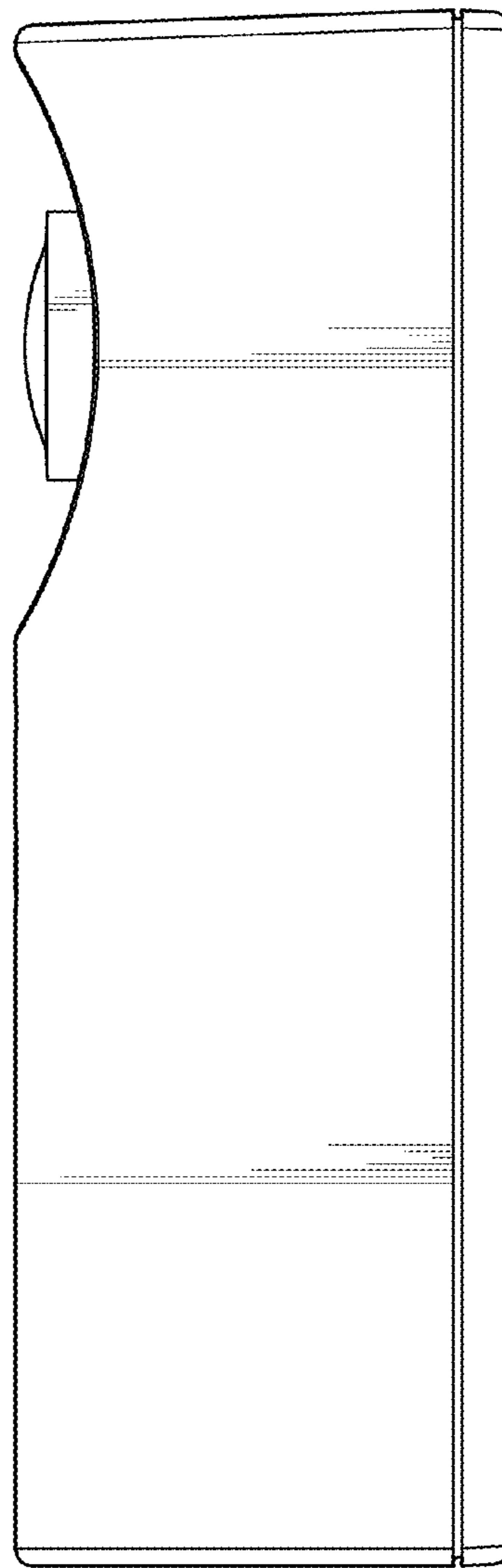


FIG. 6

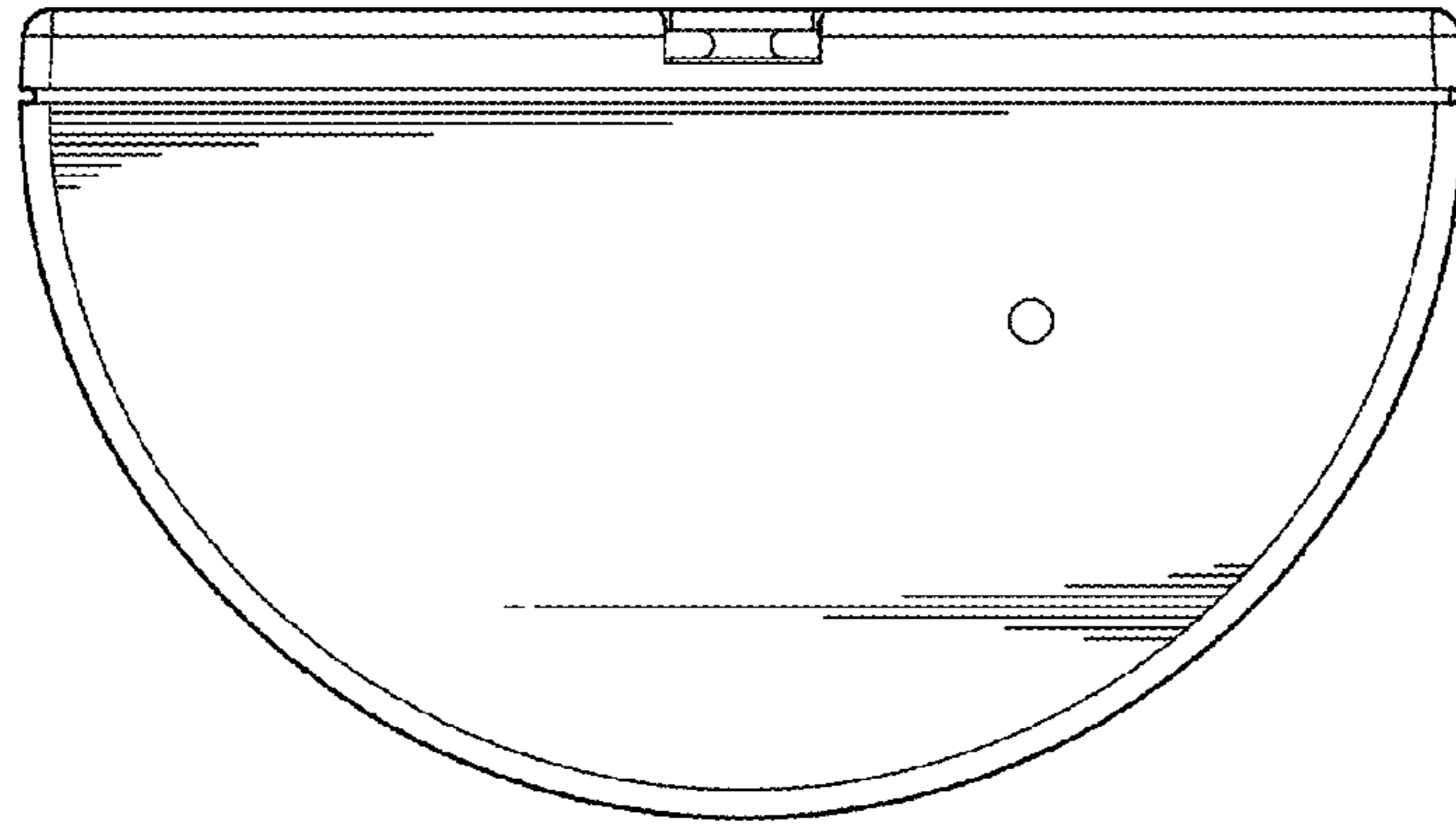


FIG. 7

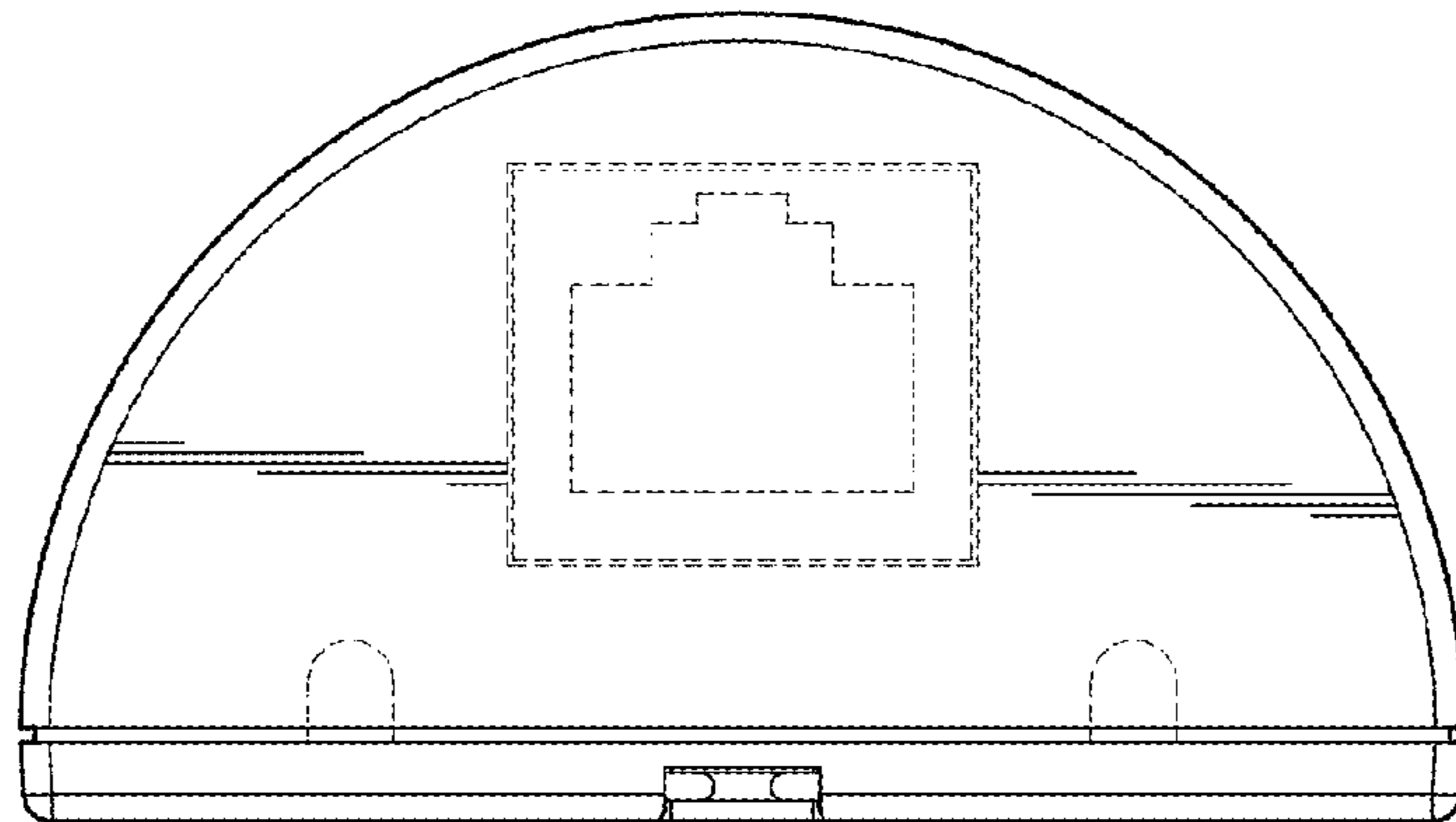


FIG. 8

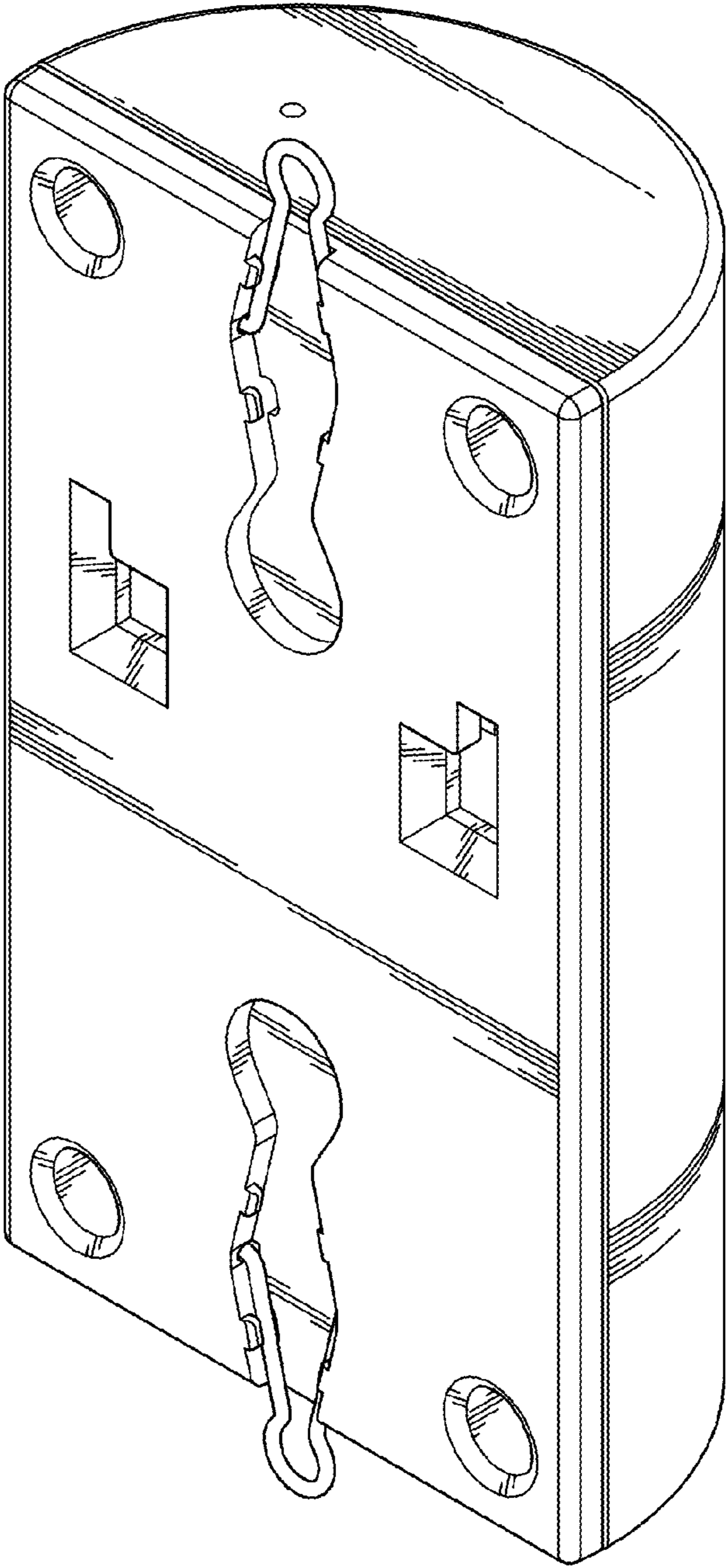


FIG. 9



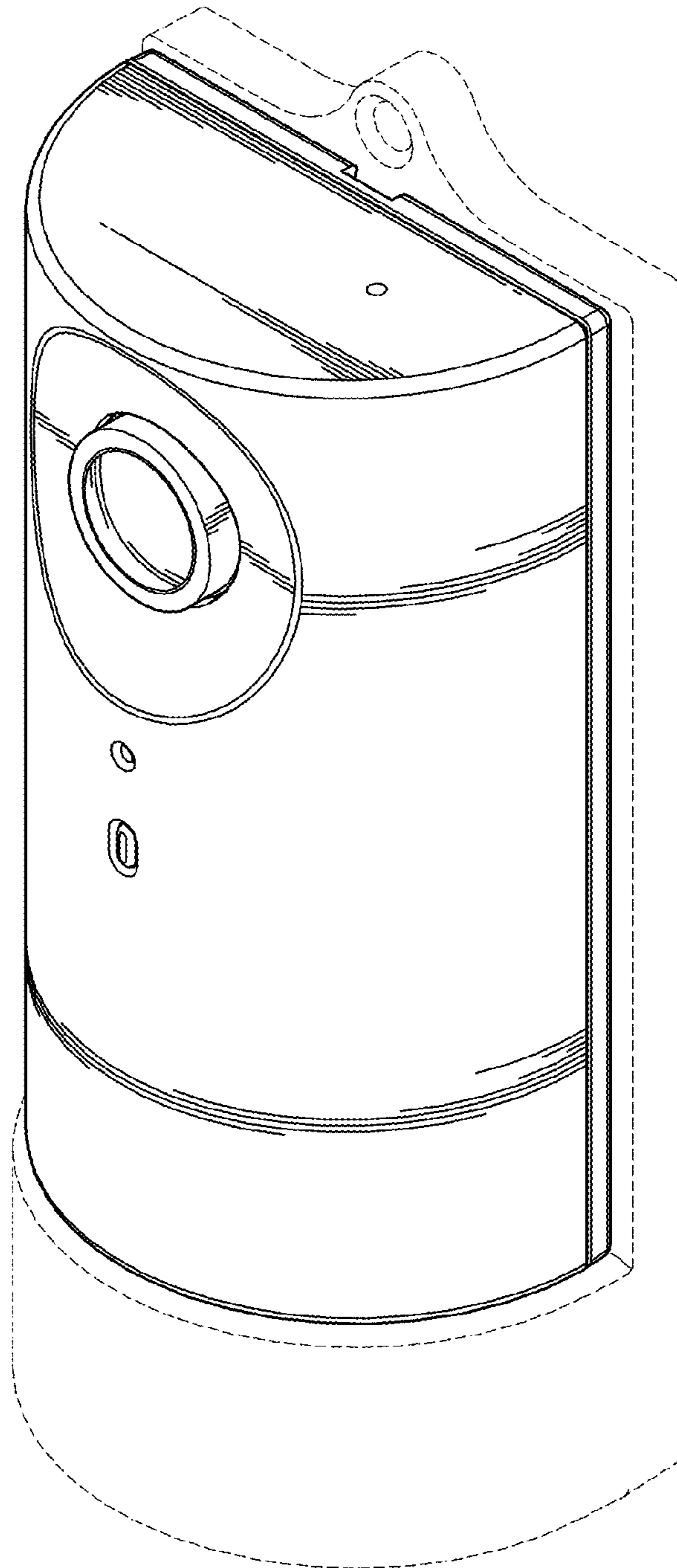


FIG. 10

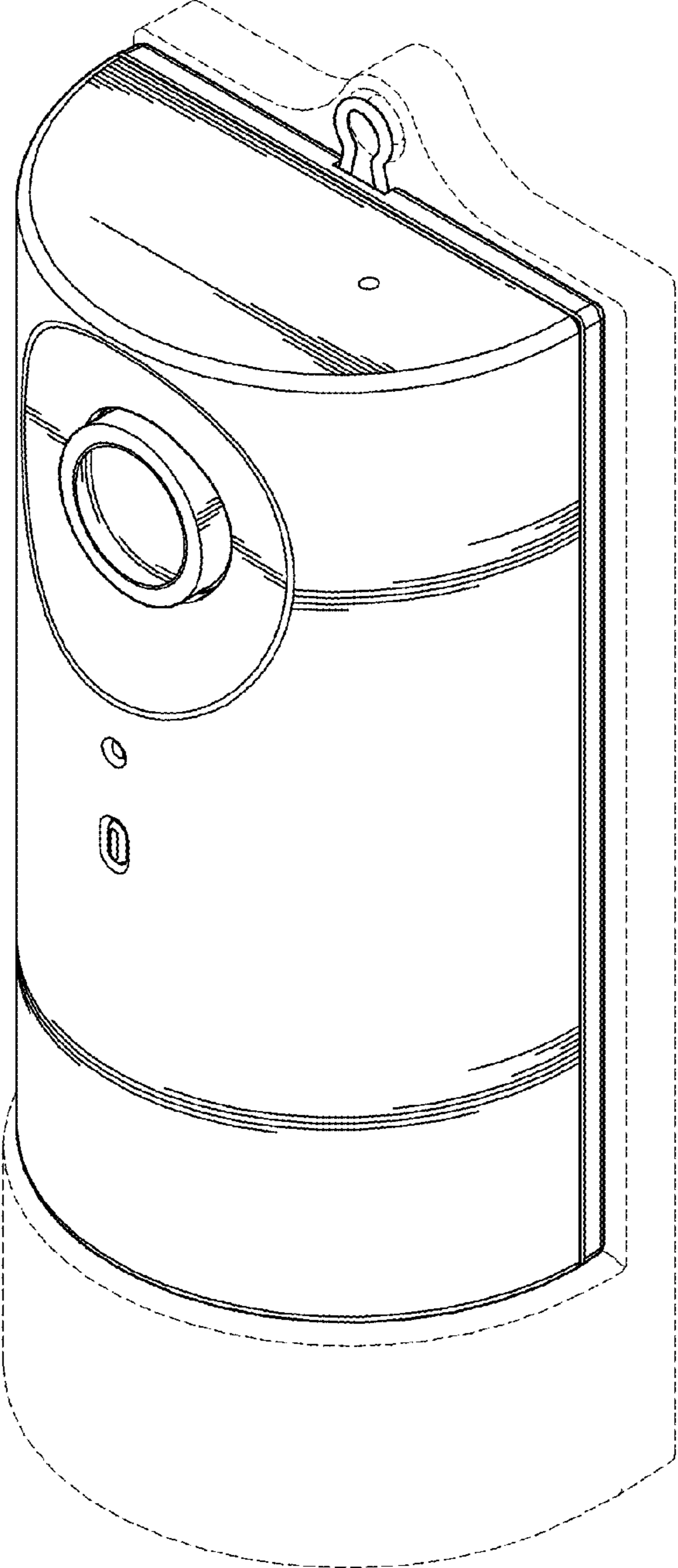


FIG. 11