



US00D721112S

(12) **United States Design Patent**
Sammons

(10) **Patent No.:** **US D721,112 S**
(45) **Date of Patent:** **** Jan. 13, 2015**

(54) **DRY FOOD DE-PACKAGING MACHINE**

(71) Applicant: **Richard M. Sammons**, Sunbury, OH
(US)

(72) Inventor: **Richard M. Sammons**, Sunbury, OH
(US)

(**) Term: **14 Years**

(21) Appl. No.: **29/474,168**

(22) Filed: **Jun. 24, 2014**

(51) **LOC (10) Cl.** **15-99**

(52) **U.S. Cl.**
USPC **D15/145**

(58) **Field of Classification Search**
USPC D15/122, 145, 146; 53/167, 202, 203,
53/266.1, 279, 284.5, 285, 370.7, 370.9,
53/381.1, 426, 558, 563, 565; 100/8, 25,
100/26, 29, 32; 198/379, 533; 414/412;
493/184

See application file for complete search history.

(56) **References Cited**

U.S. PATENT DOCUMENTS

D239,461	S	*	4/1976	Heavner	D15/145
4,068,448	A	*	1/1978	Modeen	53/131.3
4,428,709	A		1/1984	Peters		
D275,490	S	*	9/1984	Hollingsworth	D15/146
4,653,973	A		3/1987	Scholz		

D327,487	S	*	6/1992	Di Bernardo	D15/145
6,431,318	B1		8/2002	Tanaka		
D543,222	S	*	5/2007	Pester et al.	D15/145
7,255,199	B2		8/2007	Ishiwata		
D686,263	S	*	7/2013	Sunter et al.	D15/145
2006/0011417	A1		1/2006	Chen et al.		

* cited by examiner

Primary Examiner — Patricia Palasik

(74) *Attorney, Agent, or Firm* — Suzanne Kikel

(57) **CLAIM**

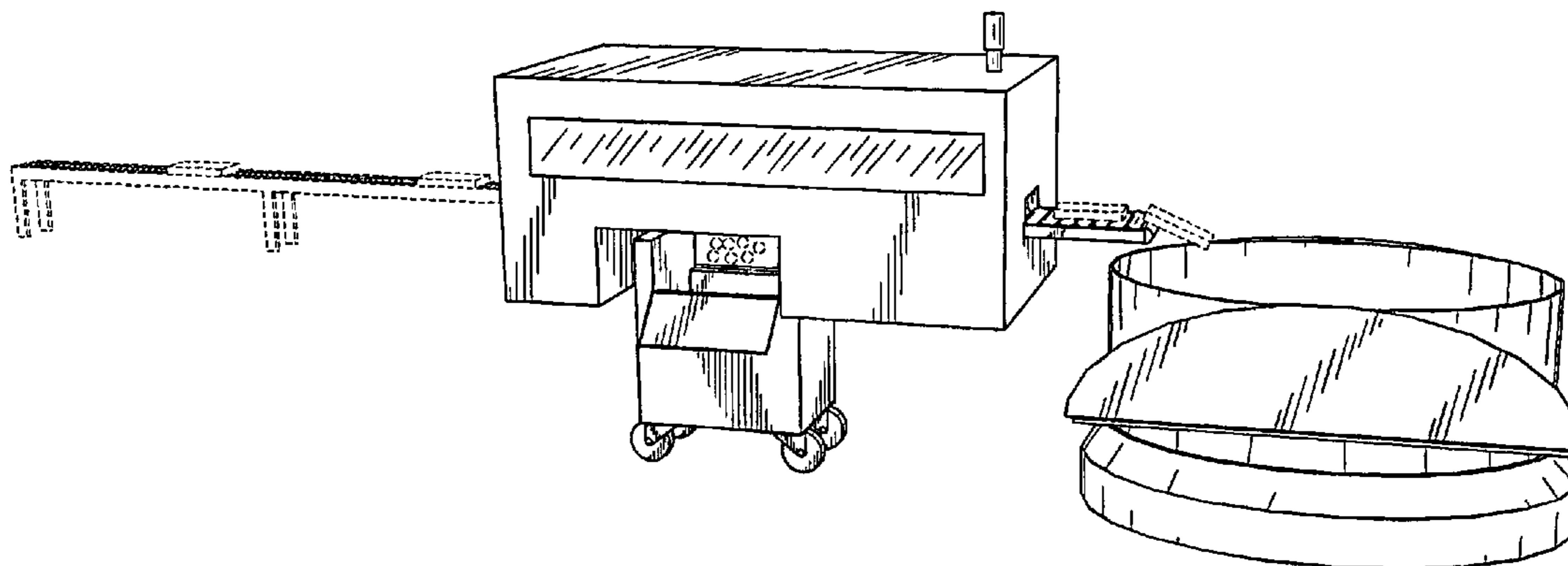
The ornamental design for a dry food de-packaging machine, as shown and described.

DESCRIPTION

FIG. 1 is a perspective view of the dry food de-packaging machine, with its cover in an open position.
FIG. 2 is a front elevational view thereof.
FIG. 3 is a rear elevational view thereof.
FIG. 4 is a left side view thereof.
FIG. 5 is a right side view thereof.
FIG. 6 is a top plan view thereof; and,
FIG. 7 is a bottom plan view thereof.

The broken line showing of the entrance conveyor, the packaging on the entrance and exit conveyors and the falling food in the figures are for illustrative purposes only and form no part of the claimed design.

1 Claim, 4 Drawing Sheets



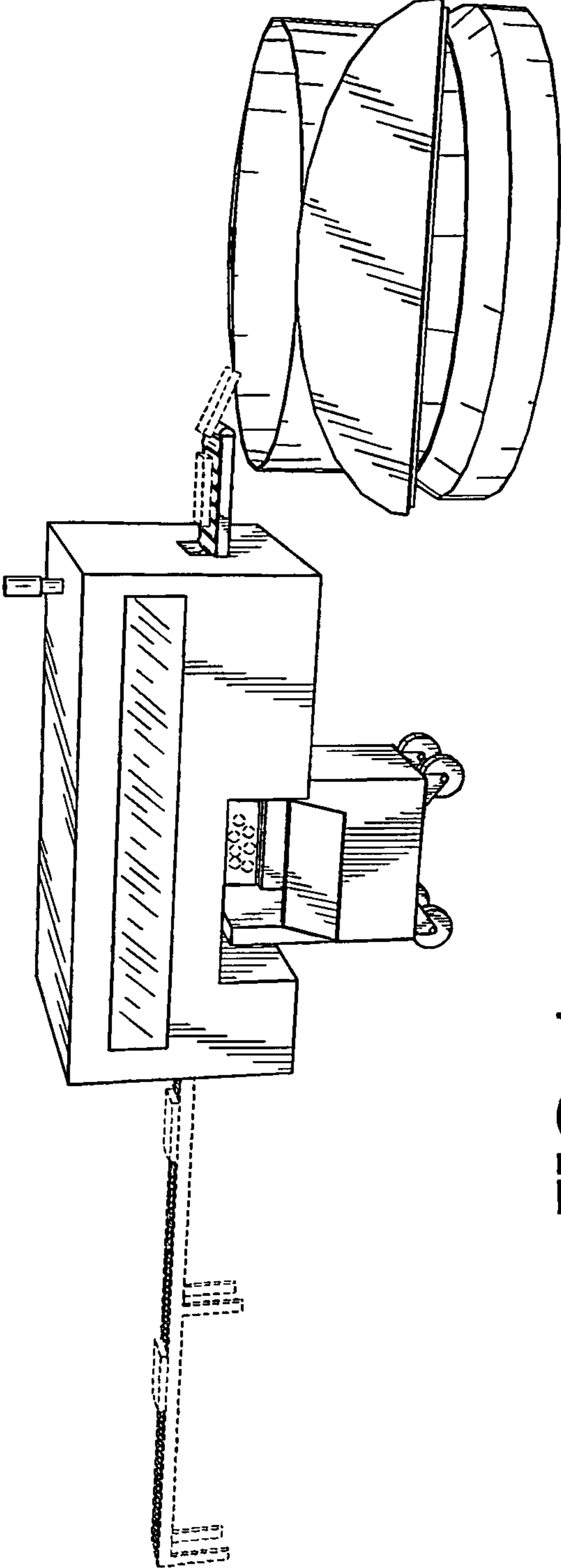


FIG. 1

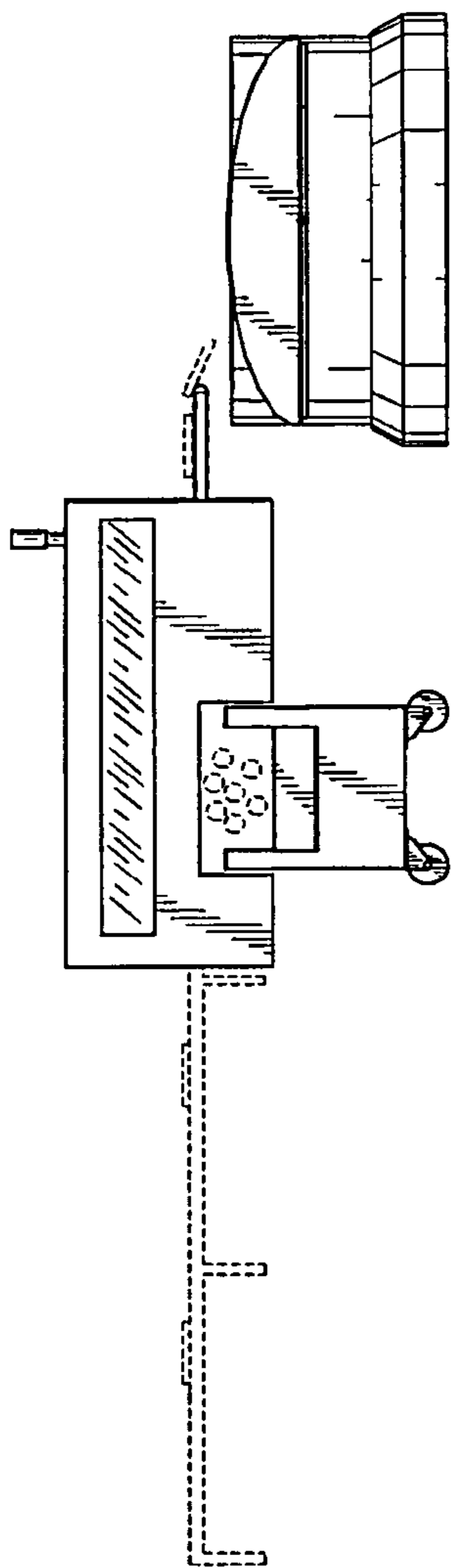


FIG. 2

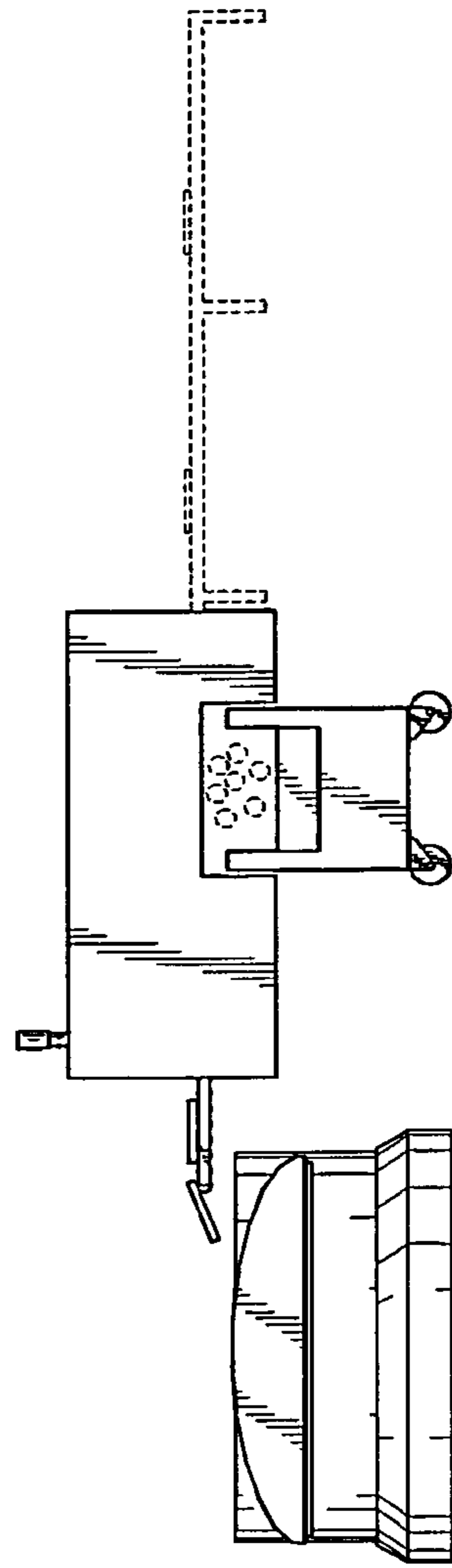


FIG. 3

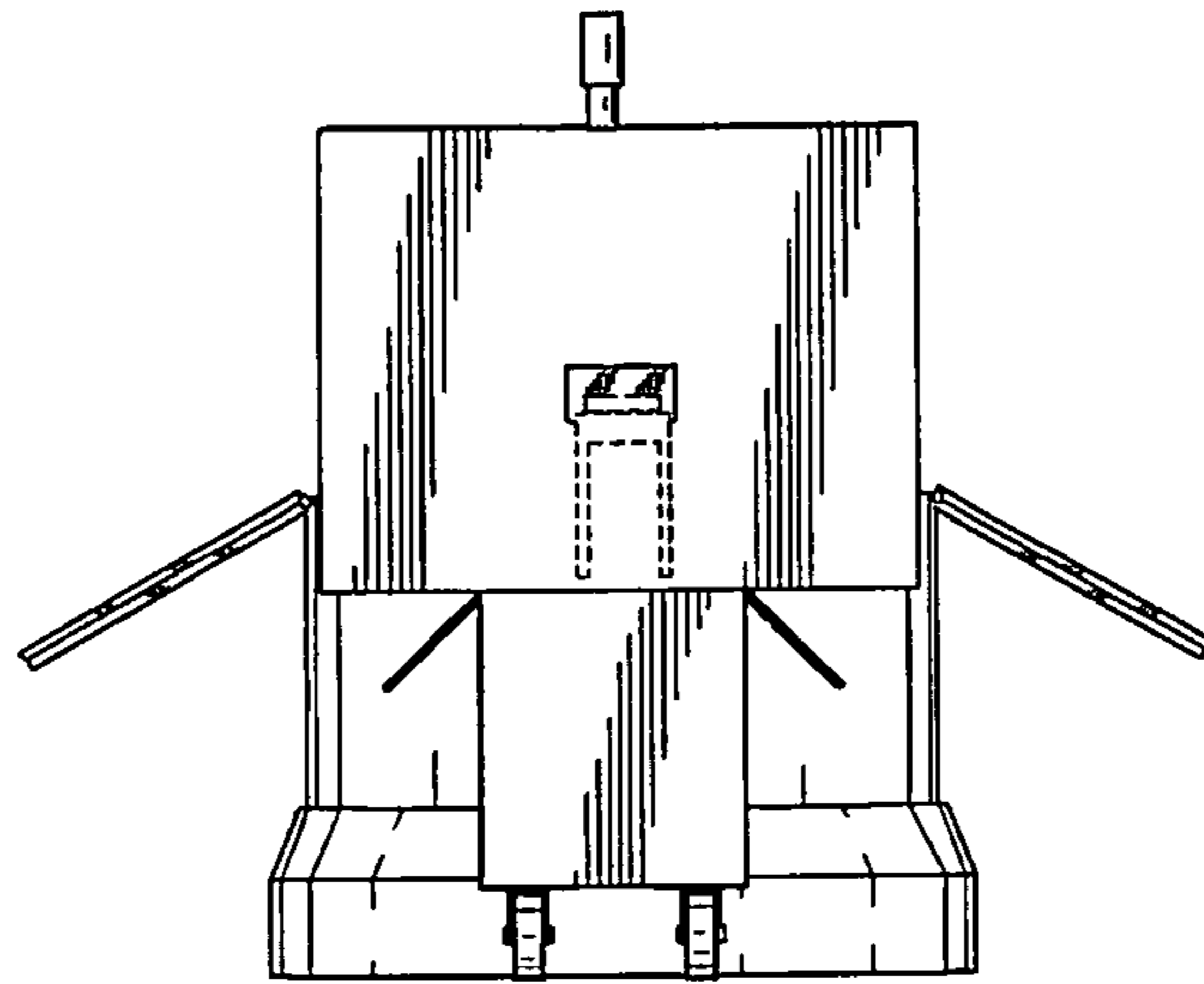


FIG. 4

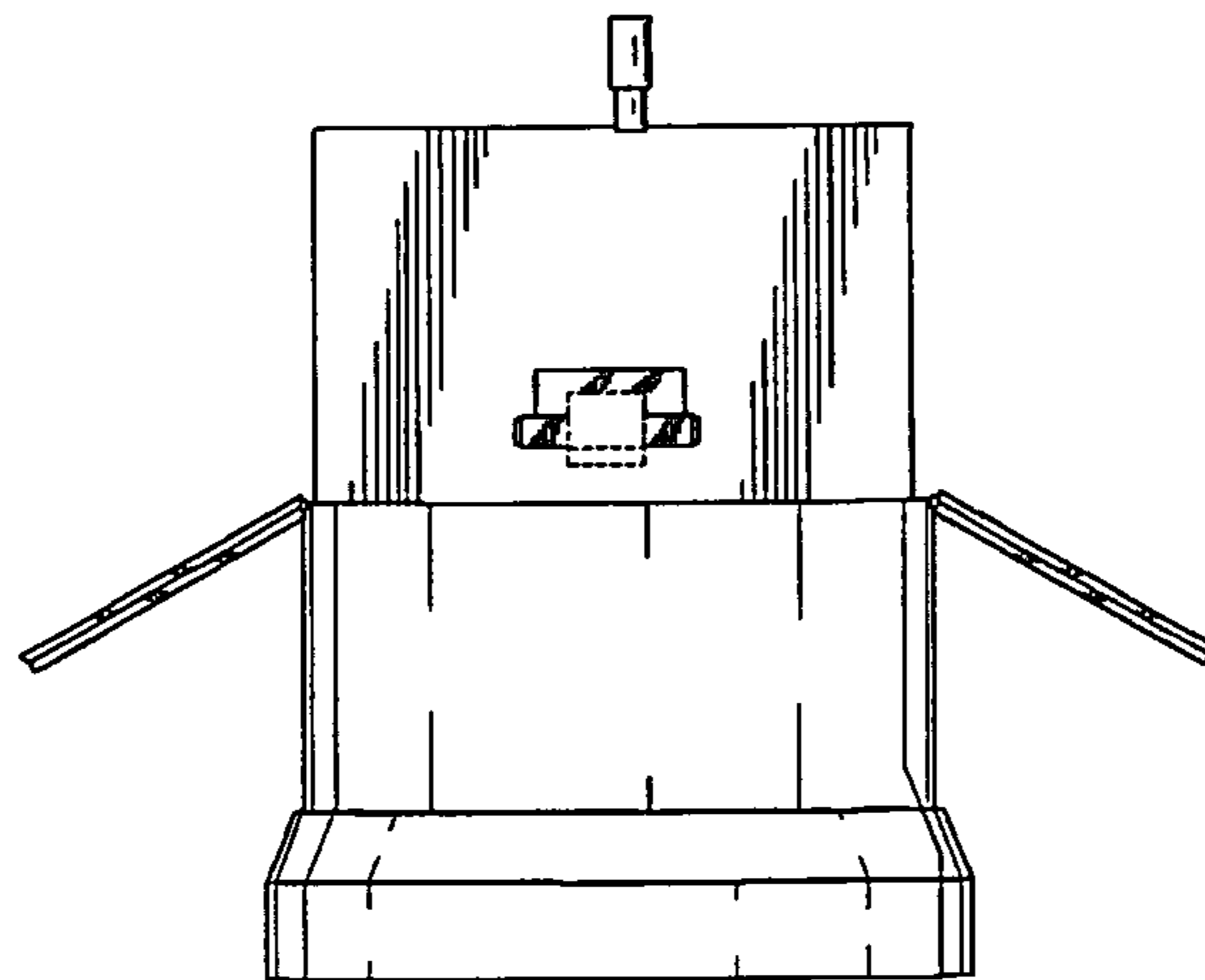


FIG. 5

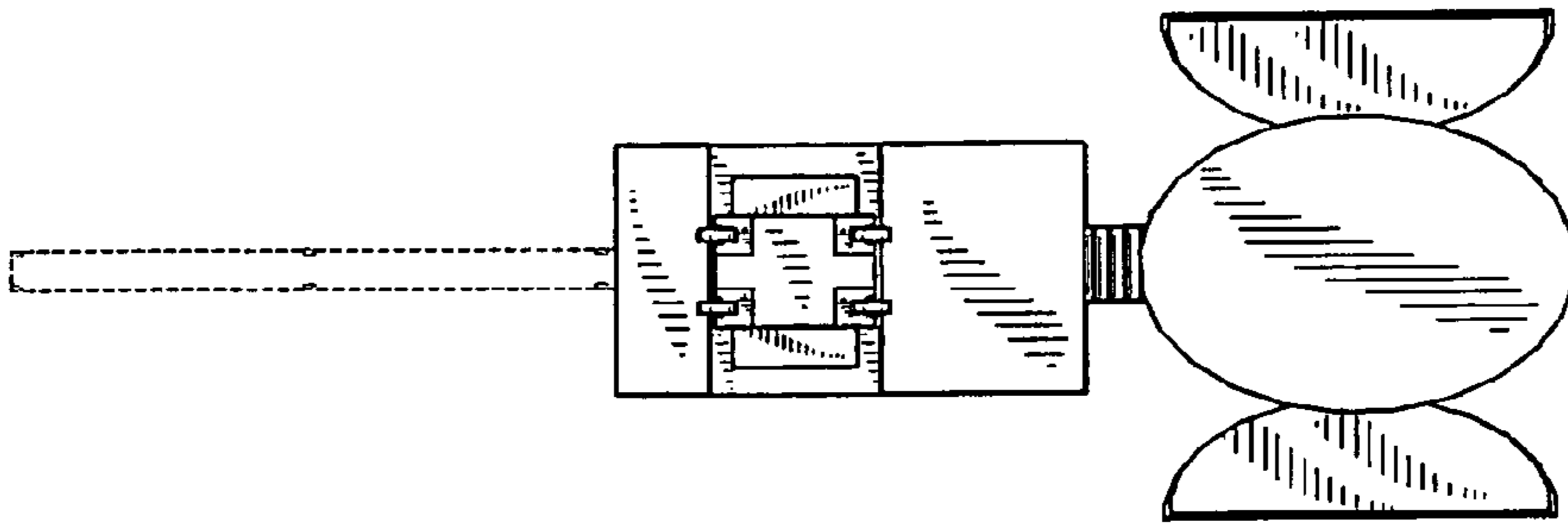


FIG. 7

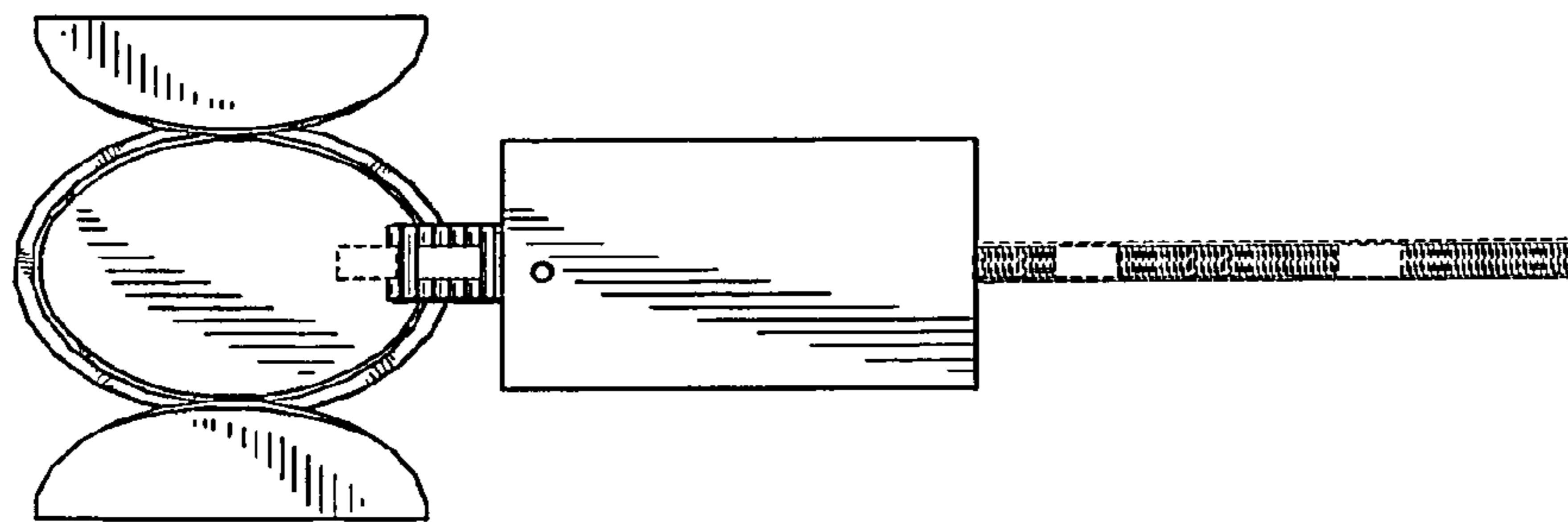


FIG. 6