



US00D721111S

(12) **United States Design Patent**  
**Hassan**

(10) **Patent No.:** **US D721,111 S**  
(45) **Date of Patent:** **\*\* Jan. 13, 2015**

- (54) **HEAVY DUTY CONTACT TIP**
- (71) Applicant: **Victor Equipment Company**, Denton, TX (US)
- (72) Inventor: **Khalid Hassan**, Denton, TX (US)
- (73) Assignee: **Victor Equipment Company**, Denton, TX (US)
- (\*\*) Term: **14 Years**
- (21) Appl. No.: **29/492,452**
- (22) Filed: **May 30, 2014**
- (51) **LOC (10) Cl.** ..... **15-09**
- (52) **U.S. Cl.**  
USPC ..... **D15/144**
- (58) **Field of Classification Search**  
USPC ..... D8/29.1, 30; D15/144, 144.1, 144.2;  
219/70, 137.44, 137.52  
See application file for complete search history.

D446,231 S *	8/2001	Kuraoka et al. ....	D15/144
D446,530 S *	8/2001	Kuraoka et al. ....	D15/144
D456,680 S *	5/2002	Cheng .....	D8/29.1
D492,709 S *	7/2004	Horner-Richardson et al. ....	D15/144
D499,124 S *	11/2004	Kuraoka et al. ....	D15/144
D501,632 S *	2/2005	Hewett et al. ....	D8/30
D527,401 S *	8/2006	Mizuno et al. ....	D15/144
D580,960 S *	11/2008	Yamaguchi et al. ....	D15/144
D696,321 S *	12/2013	Chastine et al. ....	D15/144
2003/0209530 A1 *	11/2003	Stuart et al. ....	219/137.61
2007/0000895 A1 *	1/2007	Giese .....	219/137.61
2008/0230529 A1 *	9/2008	Rich .....	219/137.61
2008/0272101 A1 *	11/2008	Oh et al. ....	219/137.61
2011/0266259 A1 *	11/2011	Kachline .....	219/75
2014/0091071 A1 *	4/2014	Dingeldein .....	219/137.42

\* cited by examiner

*Primary Examiner* — Patricia Palasik  
(74) *Attorney, Agent, or Firm* — Brinks Gilson & Lione

(57) **CLAIM**  
The ornamental design for a heavy duty contact tip, as shown and described.

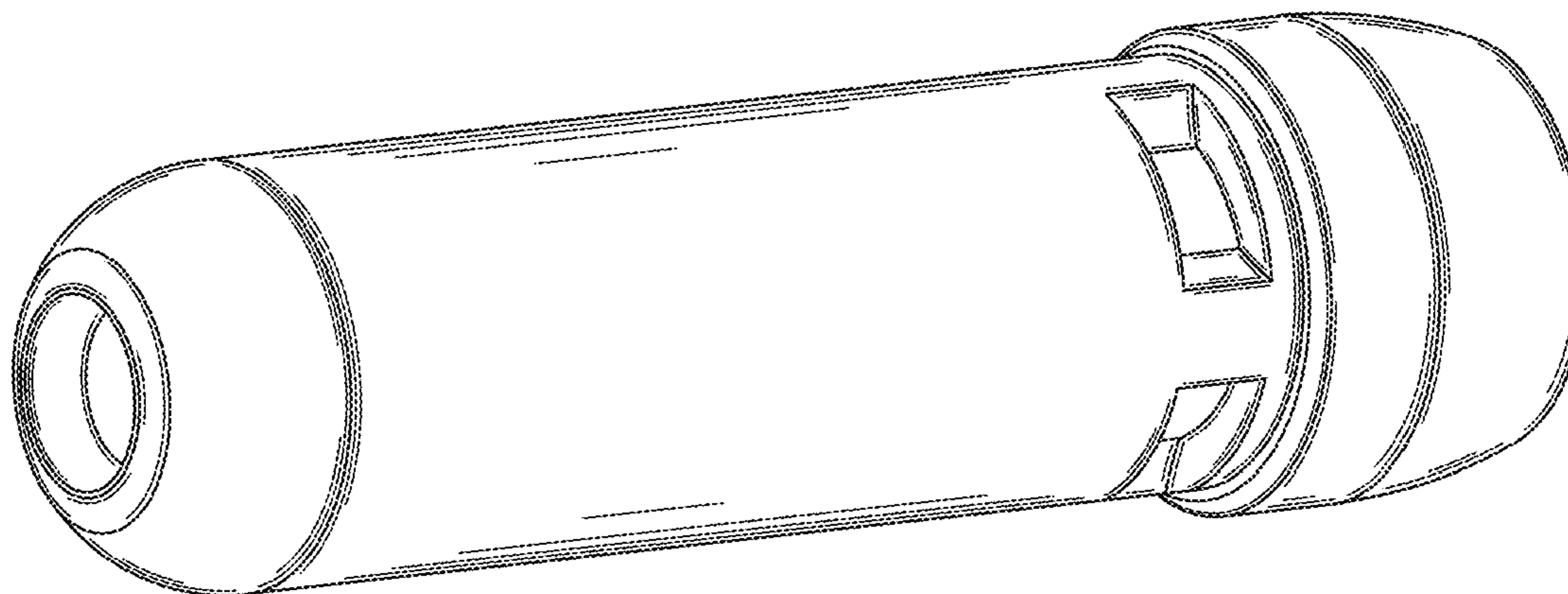
(56) **References Cited**  
U.S. PATENT DOCUMENTS

D269,519 S *	6/1983	Braun .....	D15/144
D290,807 S *	7/1987	Nippert .....	D8/30
D365,345 S *	12/1995	Carkhuff .....	D15/144
D369,648 S *	5/1996	Fowler .....	D23/213
D402,298 S *	12/1998	Hidaka .....	D15/144
D409,211 S *	5/1999	Hidaka .....	D15/144
D417,459 S *	12/1999	Shintani et al. ....	D15/144
D420,374 S *	2/2000	Zigliotto .....	D15/144

**DESCRIPTION**

FIG. 1 is a front perspective view of the heavy duty contact tip;  
FIG. 2 is a top perspective view thereof;  
FIG. 3 is a side view thereof;  
FIG. 4 is a rear view thereof; and,  
FIG. 5 is a front view thereof.

**1 Claim, 5 Drawing Sheets**



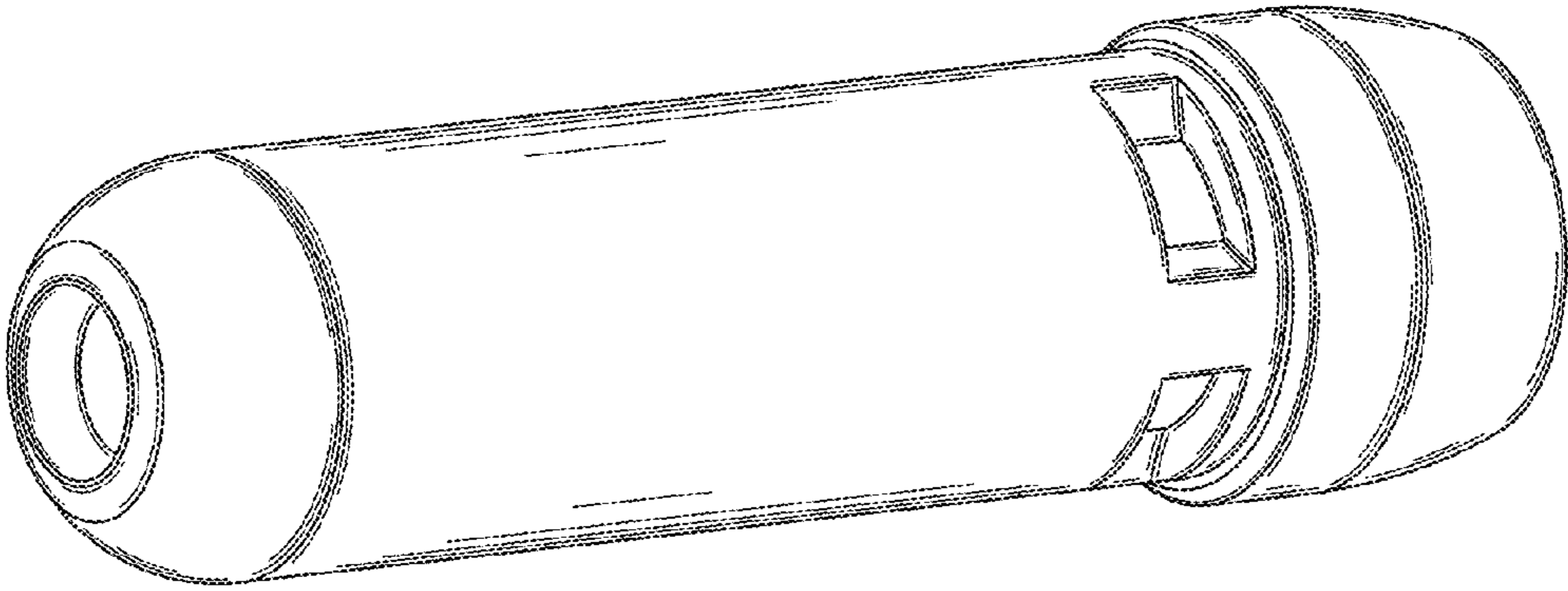


FIG. 1

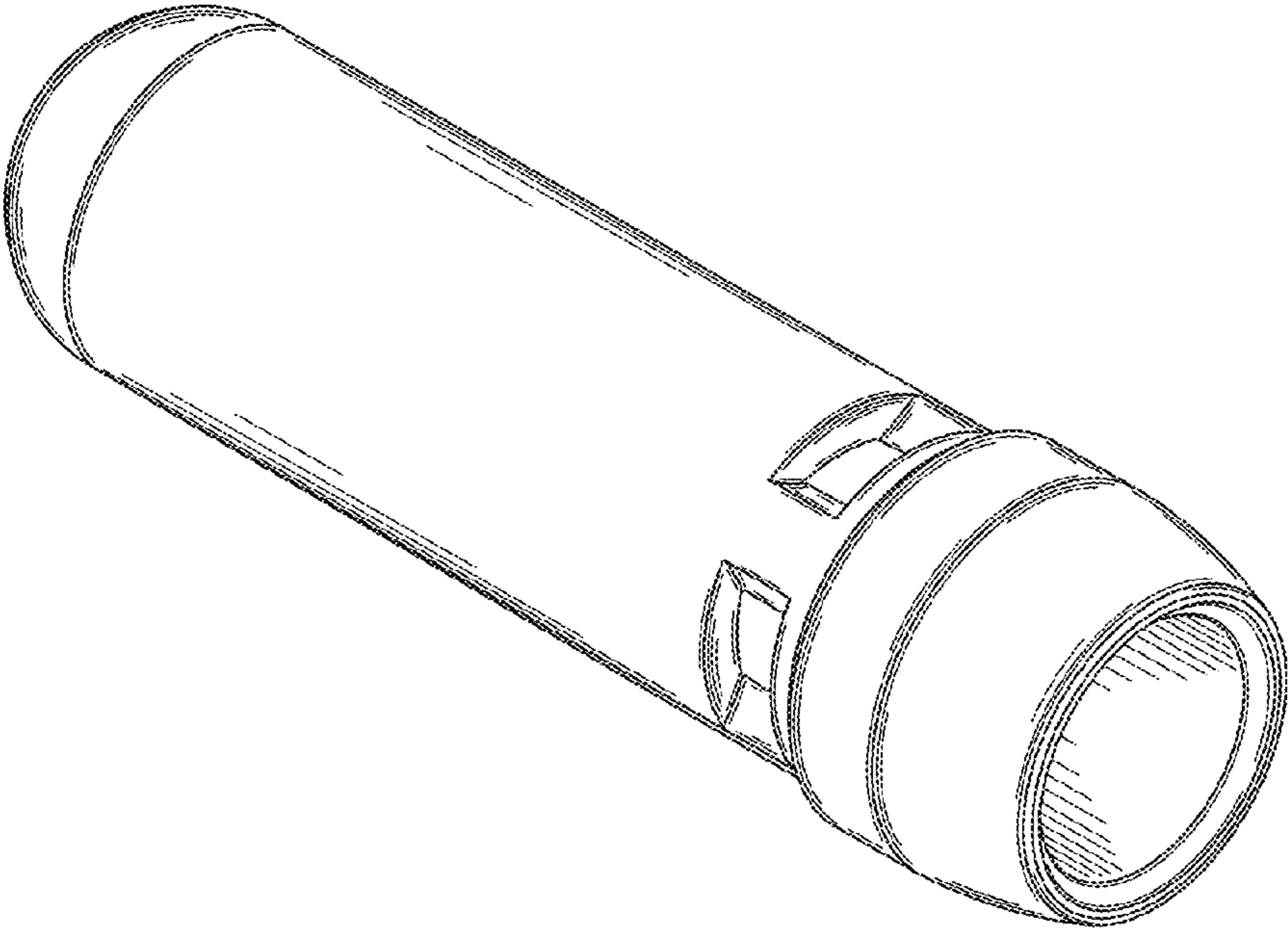


FIG. 2

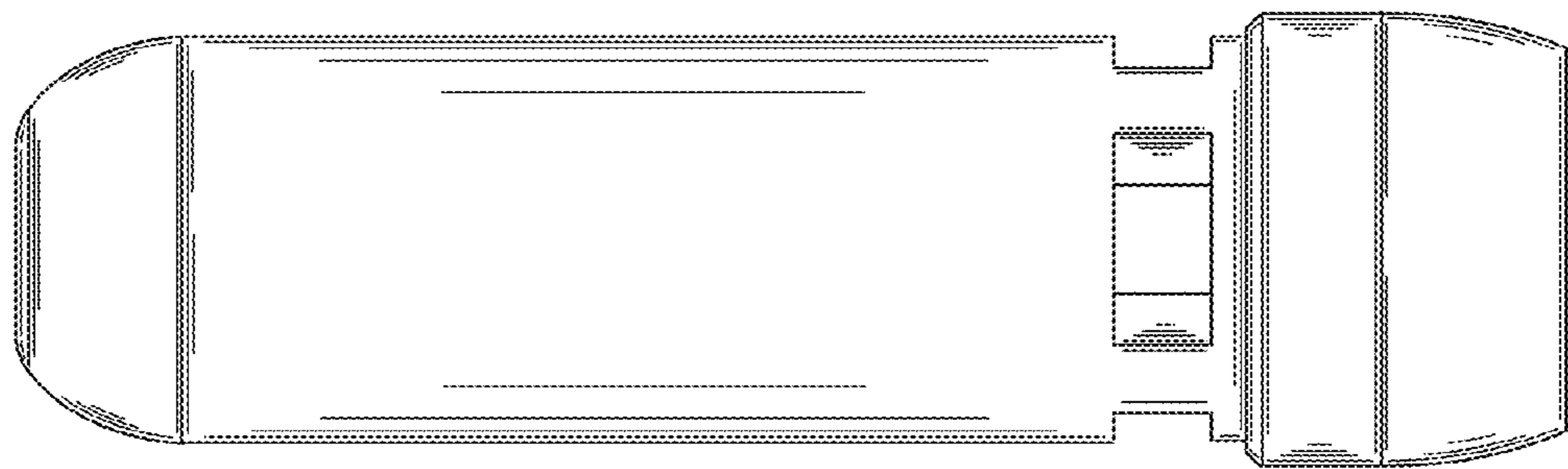


FIG. 3

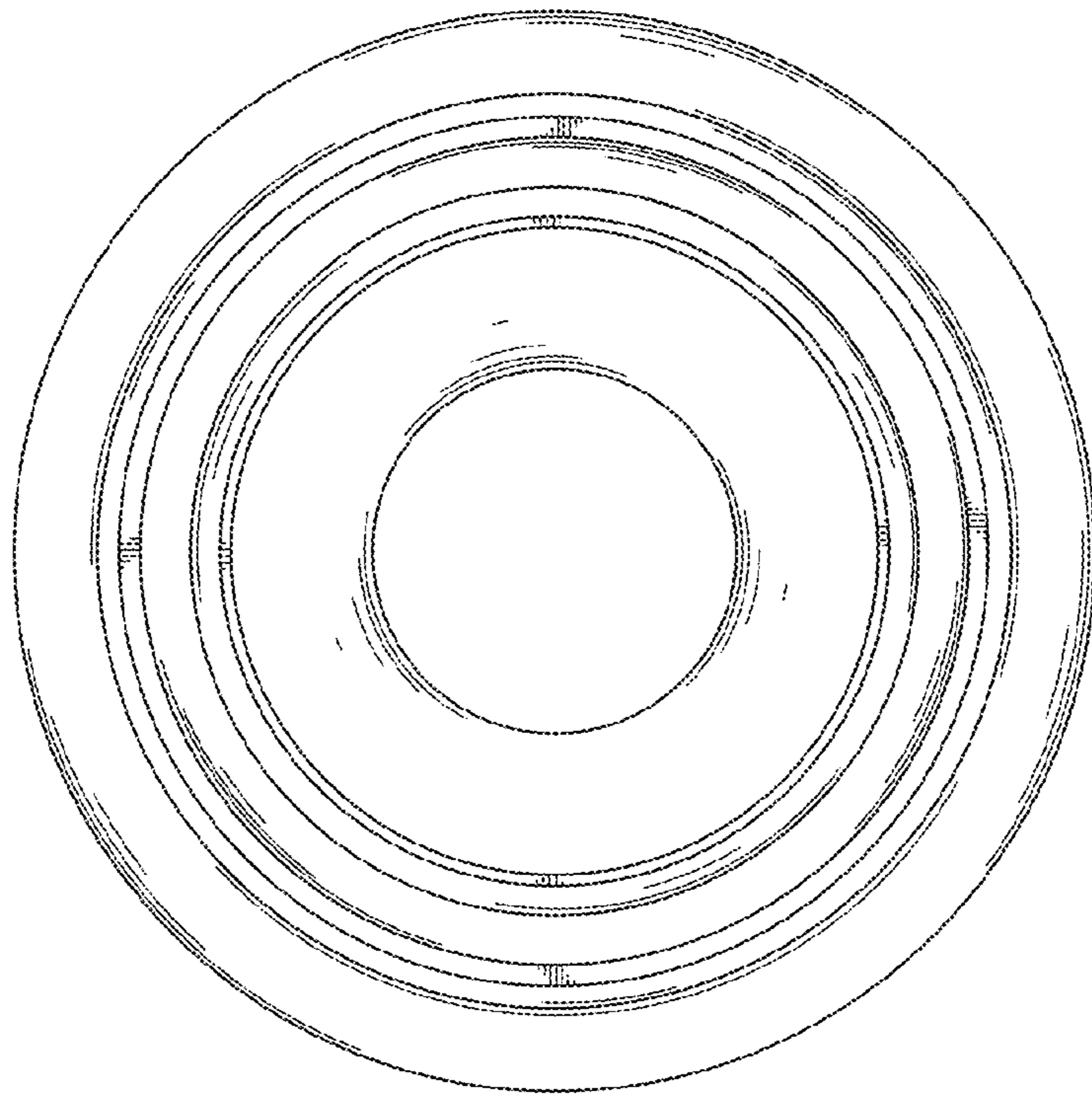


FIG. 4

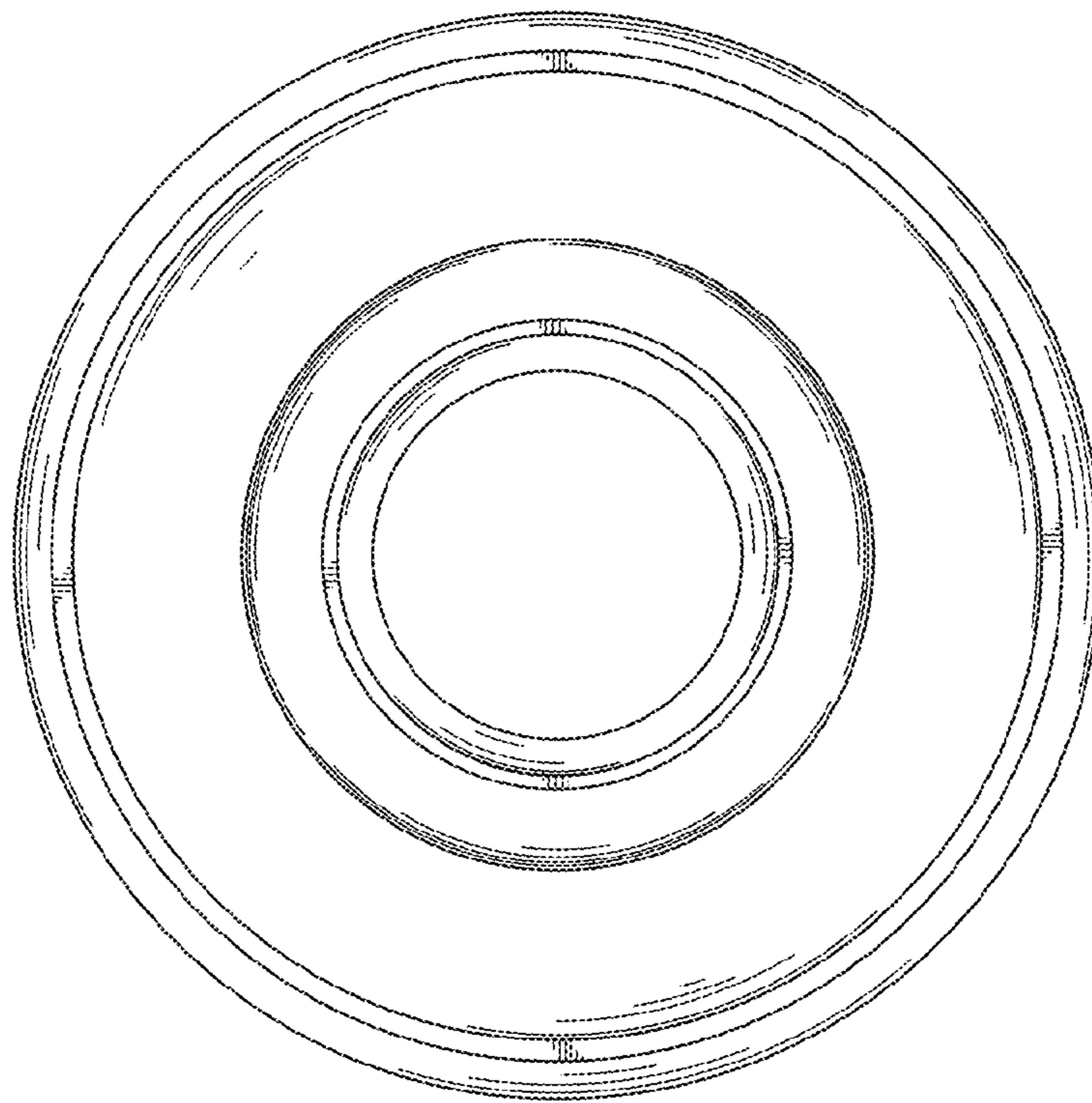


FIG. 5