

US00D721110S

(12) **United States Design Patent**
Savill, Jr.

(10) **Patent No.:** **US D721,110 S**
(45) **Date of Patent:** **** Jan. 13, 2015**

(54) **PLASMA GUN**

(76) **Inventor:** **Robert F. Savill, Jr.**, Levittown, NY
(US)

(**) **Term:** **14 Years**

(21) **Appl. No.:** **29/420,566**

(22) **Filed:** **May 10, 2012**

(51) **LOC (10) Cl.** **15-09**

(52) **U.S. Cl.**
USPC **D15/144**

(58) **Field of Classification Search**
USPC D15/144-144.2; 219/76, 121.47,
219/121.48, 121.51

See application file for complete search history.

(56) **References Cited**

U.S. PATENT DOCUMENTS

3,614,376	A *	10/1971	Manabe et al.	219/121.36
4,661,682	A *	4/1987	Gruner et al.	219/121.47
4,924,059	A *	5/1990	Rotolico et al.	219/121.48
5,412,173	A *	5/1995	Muehlberger	219/121.47
5,637,242	A *	6/1997	Muehlberger	219/121.51
5,744,777	A *	4/1998	Bernecki et al.	219/121.47

6,897,402	B2 *	5/2005	Crawmer	219/121.47
D545,852	S *	7/2007	Hawley et al.	D15/144
2006/0289404	A1 *	12/2006	Hawley et al.	219/121.47
2013/0068729	A1 *	3/2013	Zajchowski et al.	219/74

* cited by examiner

Primary Examiner — Patricia Palasik
(74) *Attorney, Agent, or Firm* — Greenblum & Bernstein, P.L.C.

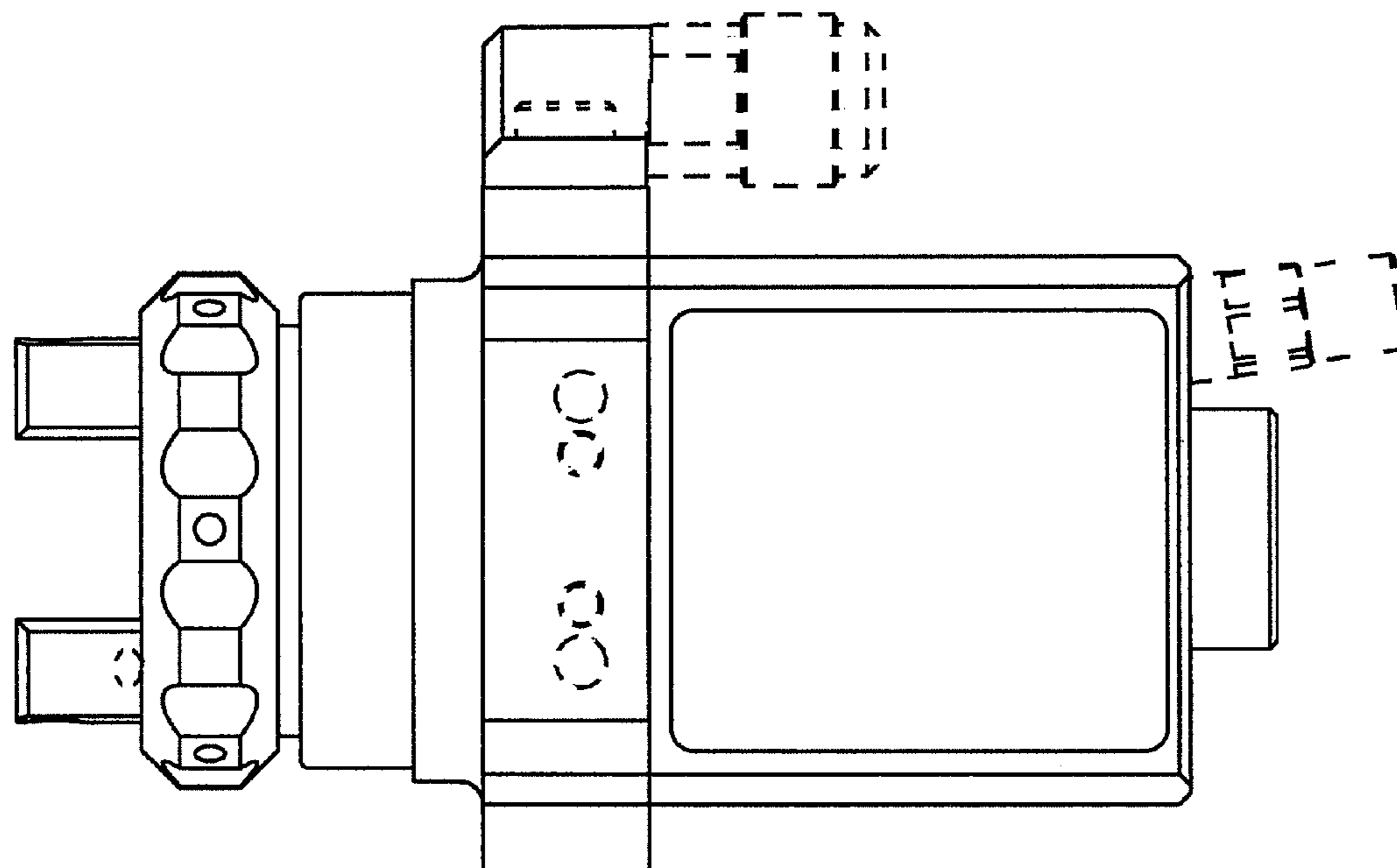
(57) **CLAIM**

I claim the ornamental design for a plasma gun, as shown and described.

DESCRIPTION

FIG. 1 is a left side view of one embodiment of the plasma gun;
FIG. 2 is a top side view of FIG. 1;
FIG. 3 shows a bottom side view of FIG. 1;
FIG. 4 shows a front side view of FIG. 1;
FIG. 5 shows a back side view of FIG. 1; and,
FIG. 6 shows a right side view of FIG. 1.
Any surfaces of the design not shown, including interior surfaces and any surfaces shown in broken lines, form no part of the claimed invention.

1 Claim, 6 Drawing Sheets



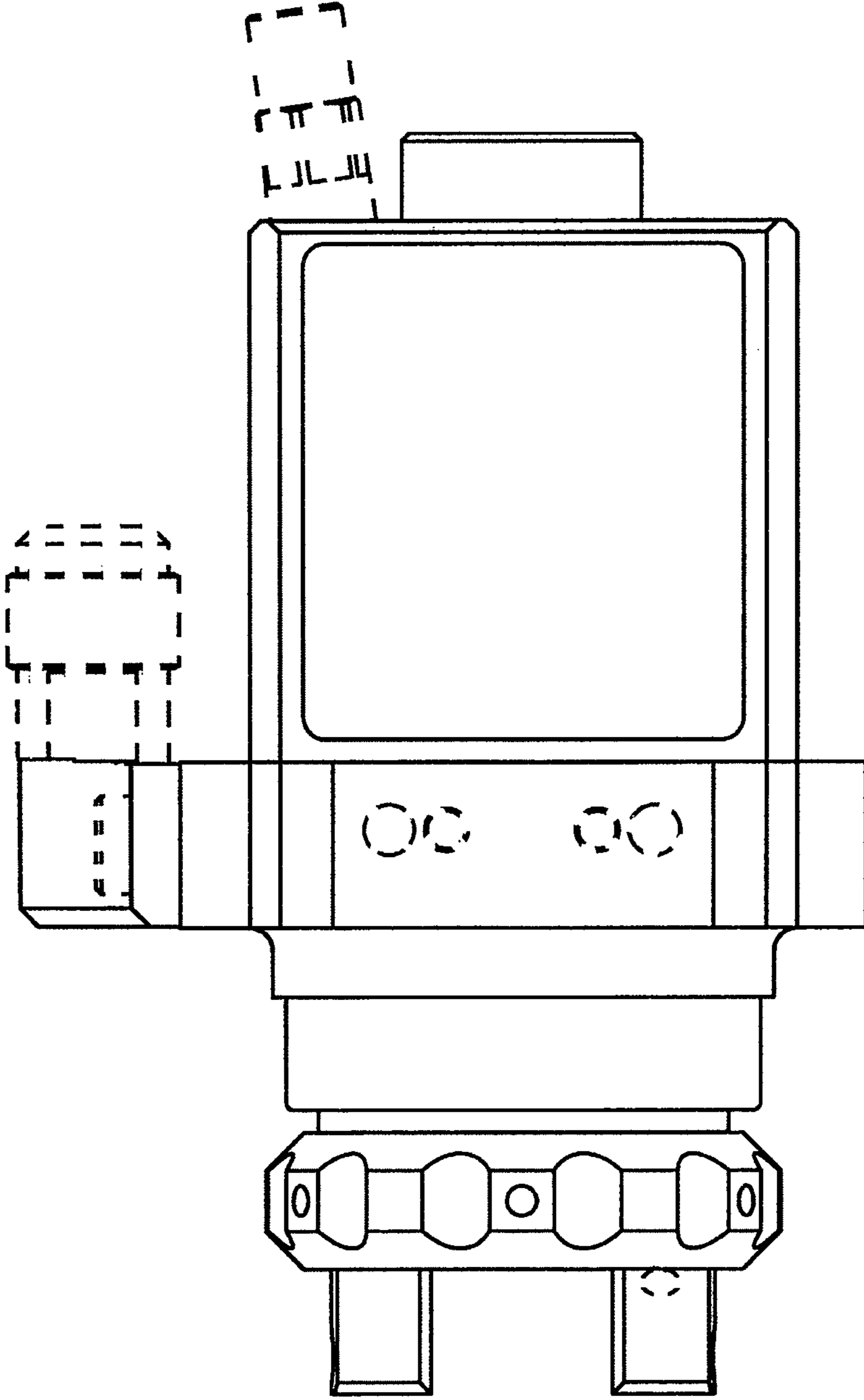


FIG. 1

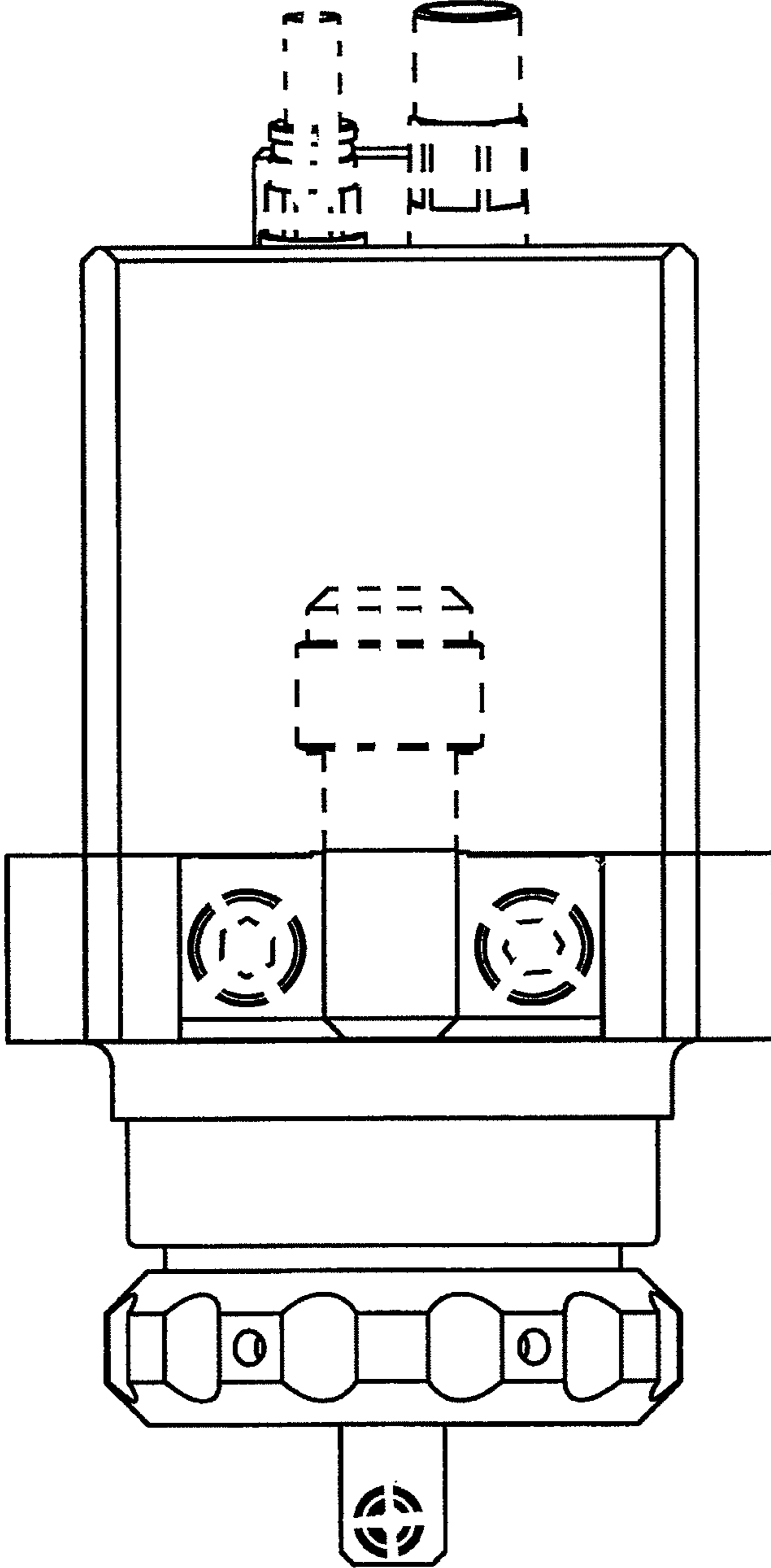


FIG. 2

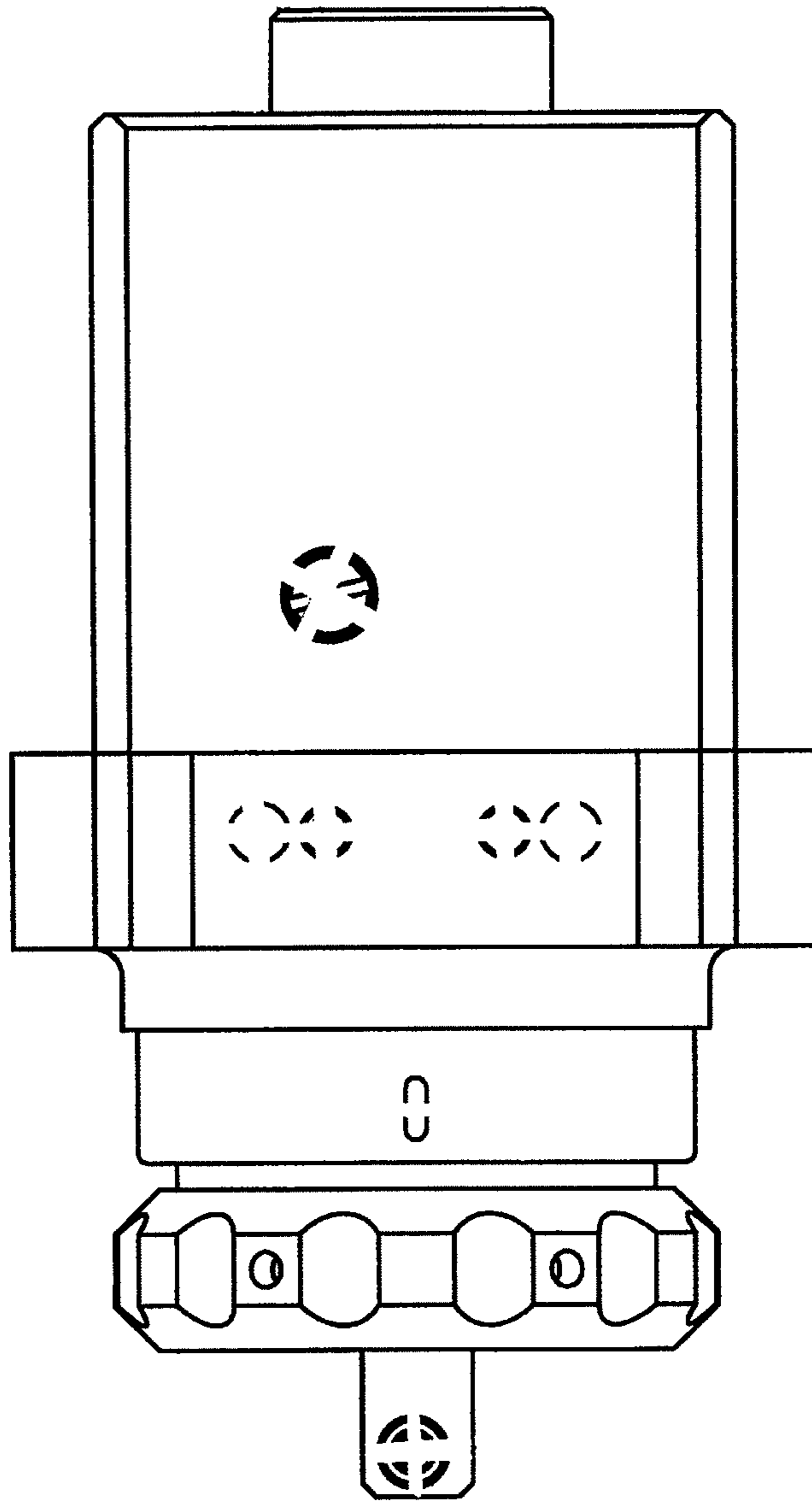


FIG. 3

FIG. 4

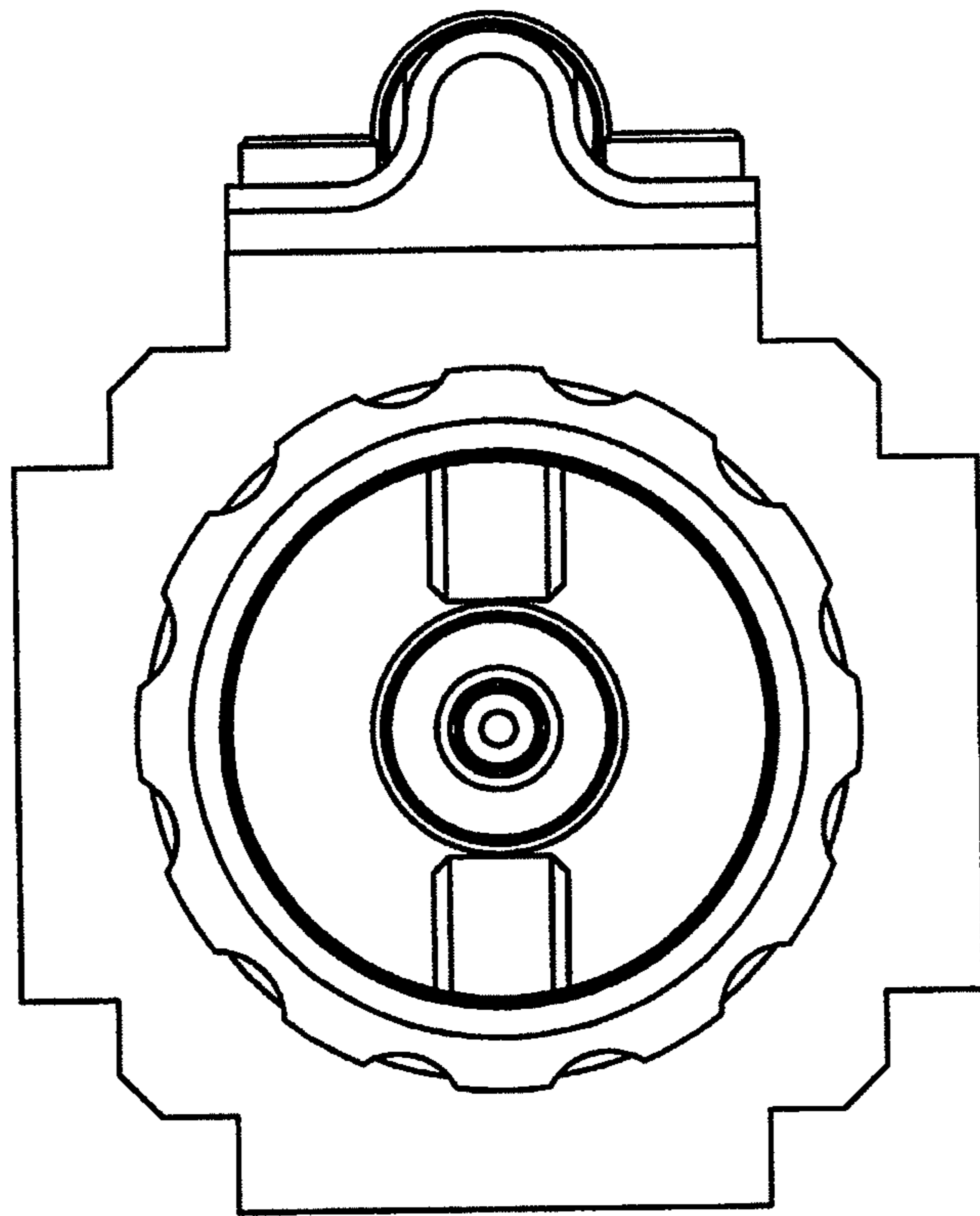
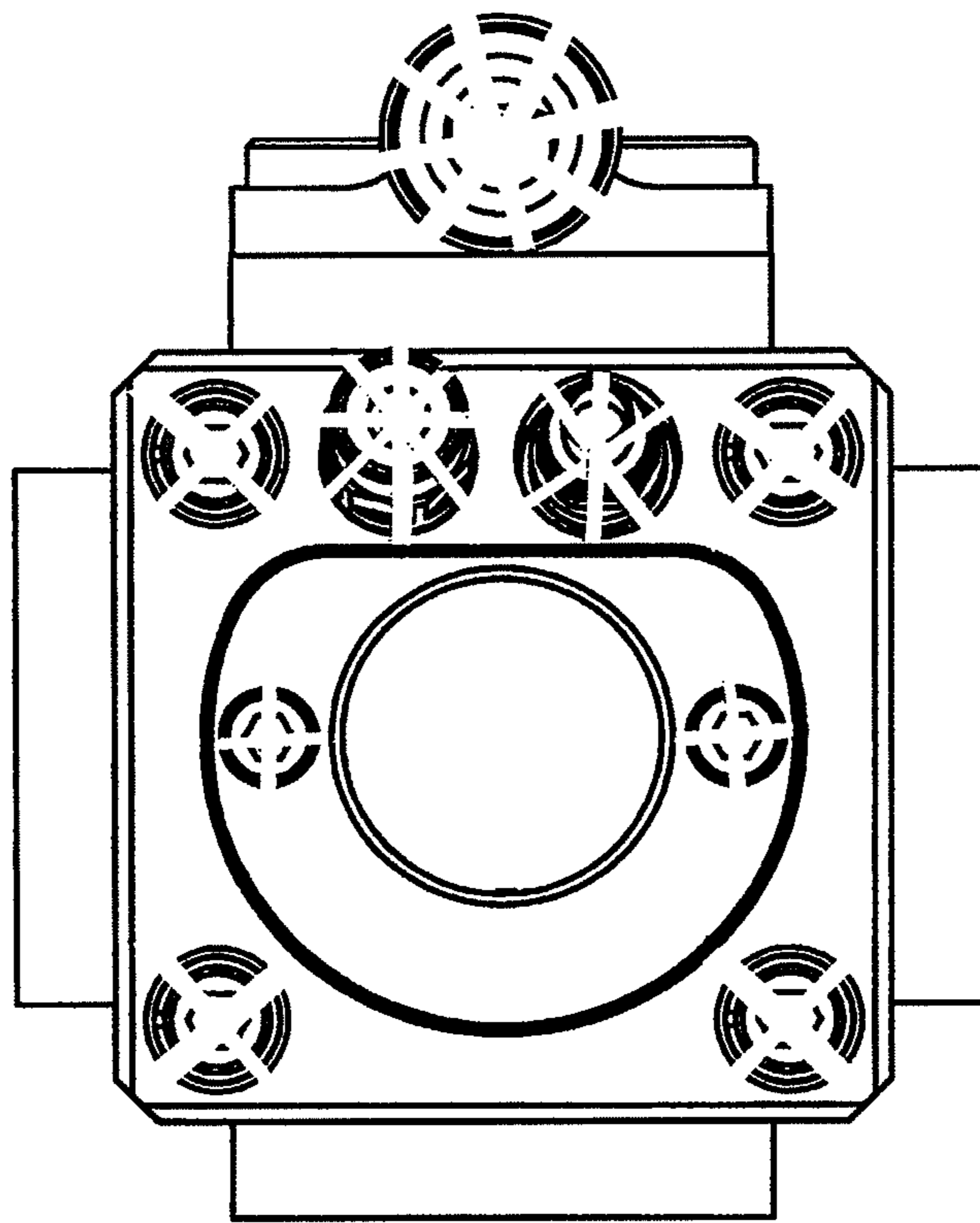


FIG. 5



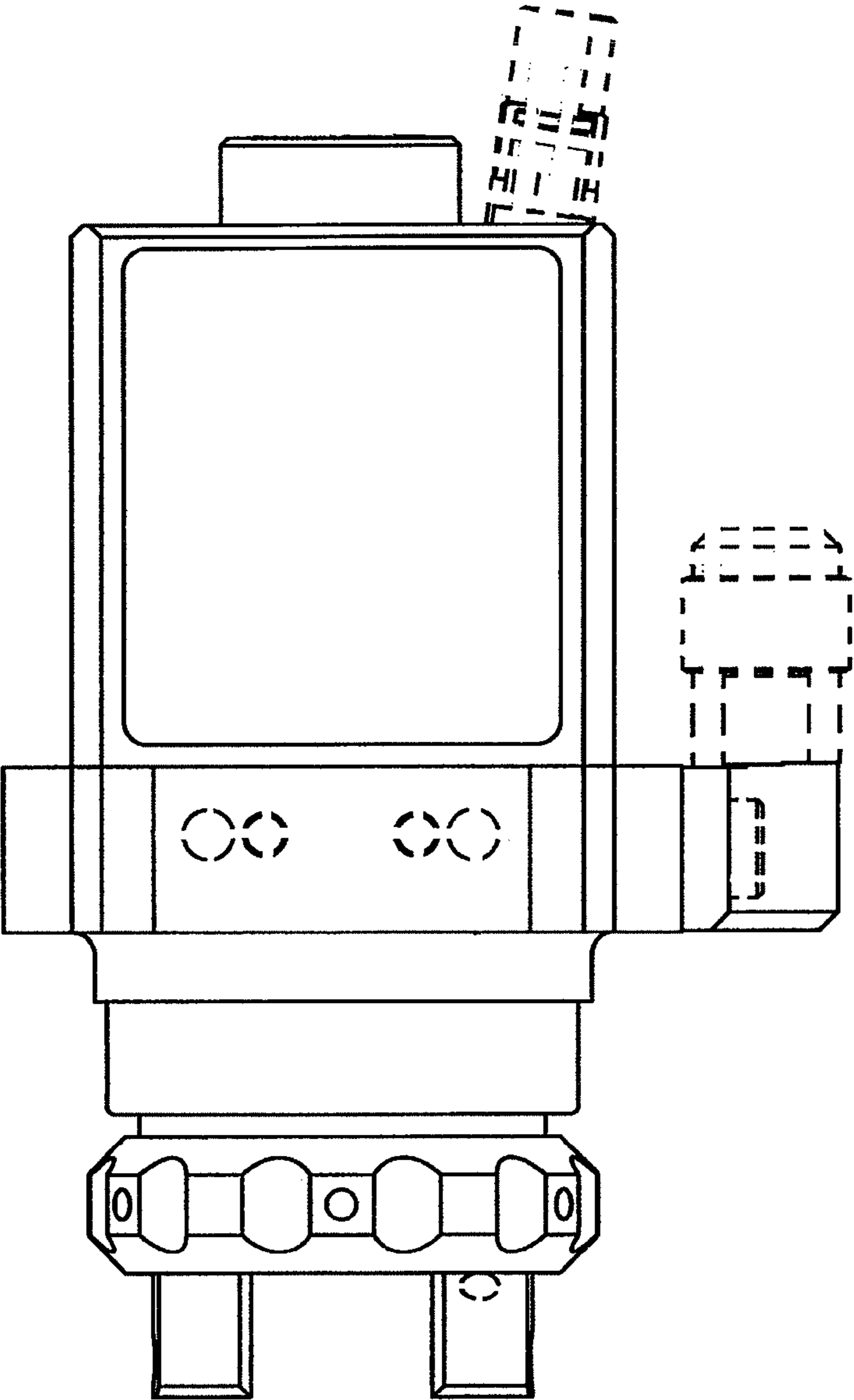


FIG. 6