



US00D721107S

(12) **United States Design Patent**
Ng

(10) **Patent No.:** **US D721,107 S**
(45) **Date of Patent:** **** Jan. 13, 2015**

(54) **LOOM HOOK TOOL**

FOREIGN PATENT DOCUMENTS

(71) Applicant: **Cheong Choon Ng**, Novi, MI (US)

AU 354361 S 2/2014

(72) Inventor: **Cheong Choon Ng**, Novi, MI (US)

OTHER PUBLICATIONS

(73) Assignee: **Choon's Design Inc.**, Wixom, MI (US)

Rainbow Loom; http://www.youtube.com/watch?v=Oqdo8ehsJ6Y&list=PLIk9e422p_n3wQ8OH6tZp4cmP5v3LSWL4; Jun. 10, 2013.

(**) Term: **14 Years**

Rainbow Loom® Starburst Bracelet; <http://www.youtube.com/watch?v=96Yihbv1wQs>; Jul. 31, 2013.

(21) Appl. No.: **29/465,194**

Lesson 2: Mini Rainbow Loom® video—Mini Loom Bracelet; <http://www.youtube.com/watch?v=UuHbD4m9WiU>; Sep. 30, 2012.

(22) Filed: **Aug. 26, 2013**

How to Engineer a Fad; <http://theartofdoing.com/tag/rainbow-loom/>; Aug. 21, 2013.

(51) **LOC (10) Cl.** **15-06**

* cited by examiner

(52) **U.S. Cl.**

USPC **D15/78**

(58) **Field of Classification Search**

USPC D15/66, 72, 78; D8/14, 22, 83, 98, 107,
D8/307; 30/2, 294; 112/2, 63, 78, 154,
112/217.1–217.4, 475.01

See application file for complete search history.

Primary Examiner — Thomas Johannes

Assistant Examiner — Khawaja Anwar

(74) *Attorney, Agent, or Firm* — Carlson, Gaskey & Olds, P.C.

(57) **CLAIM**

I claim the ornamental design for a loom hook tool, as shown and described.

(56) **References Cited**

DESCRIPTION

U.S. PATENT DOCUMENTS

3,986,468	A *	10/1976	Szostak et al.	112/222
5,443,474	A *	8/1995	Sfakianos et al.	606/167
D379,750	S *	6/1997	Thompson et al.	D8/83
D384,253	S *	9/1997	Patino	D8/14
D394,793	S *	6/1998	Ma	D8/105
D597,808	S *	8/2009	Lee et al.	D8/22
D633,113	S *	2/2011	Selter	D15/66
D684,451	S *	6/2013	Jennings et al.	D8/98
8,622,441	B1 *	1/2014	Ng	289/17
D700,819	S *	3/2014	Funston	D8/22

FIG. 1 is a perspective view of a loom hook tool showing my new design;

FIG. 2 is a front view thereof;

FIG. 3 is a side view thereof;

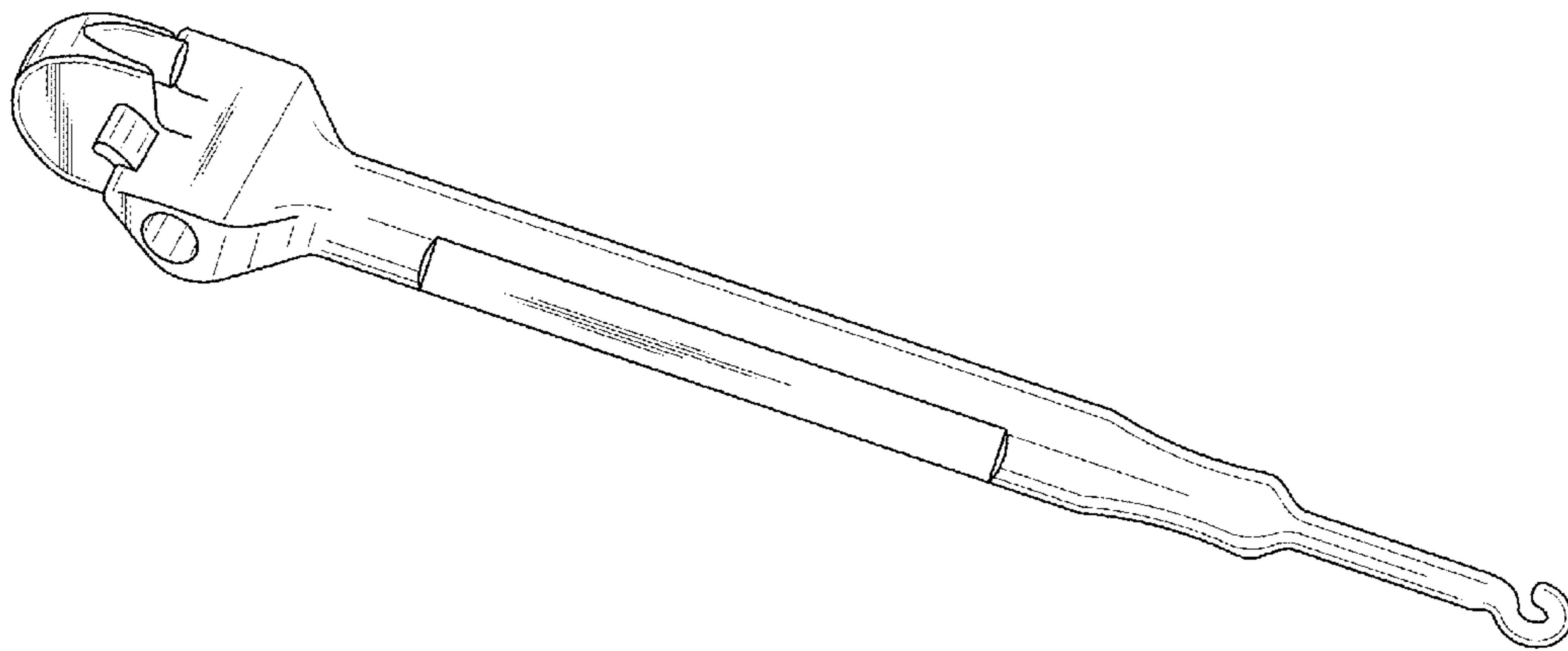
FIG. 4 is a side view of a top portion thereof;

FIG. 5 is front view of the top portion thereof;

FIG. 6 is top view of the top portion thereof; and,

FIG. 7 is a bottom view thereof.

1 Claim, 2 Drawing Sheets



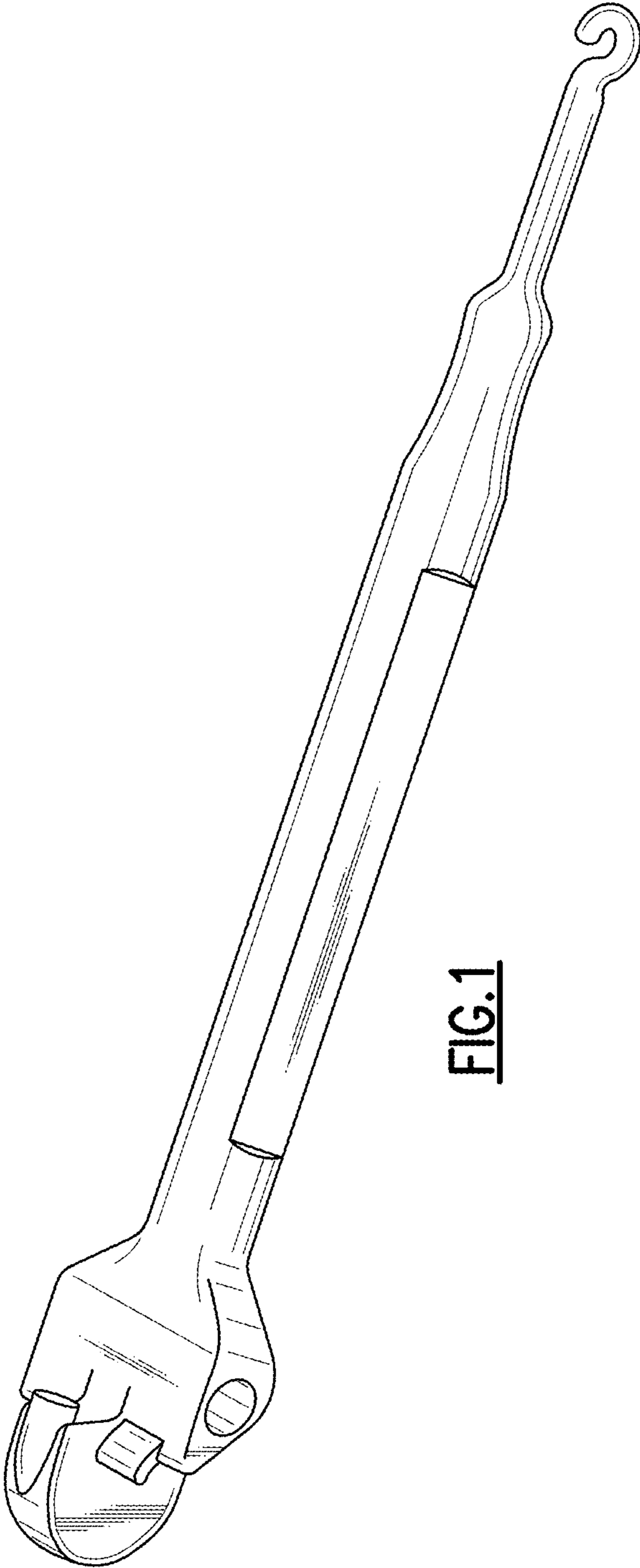


FIG. 1

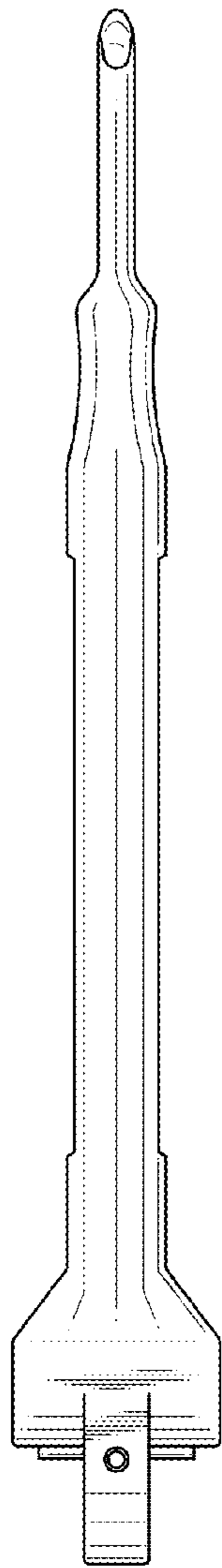


FIG. 3

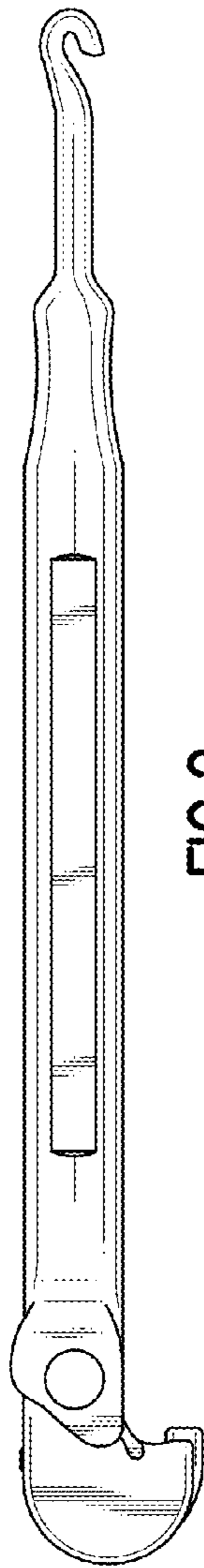


FIG. 2

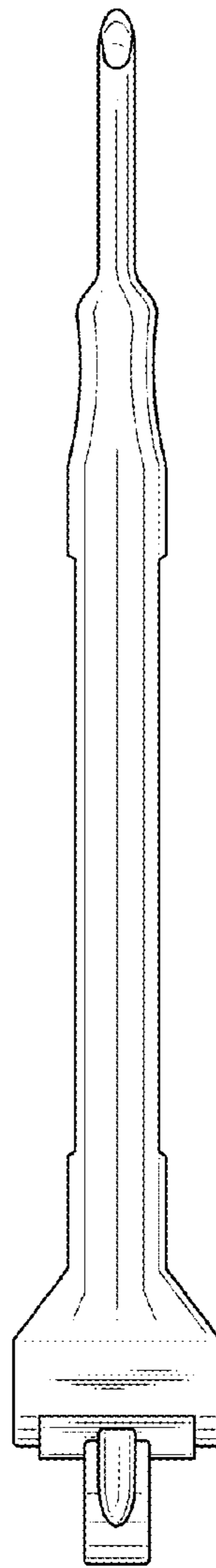


FIG. 4

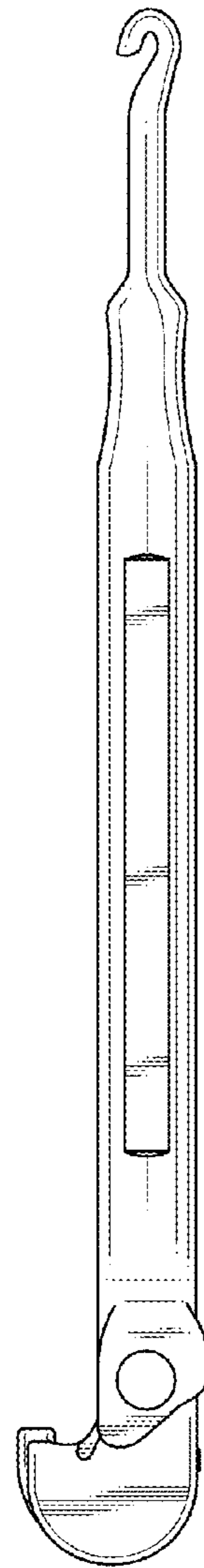


FIG. 5

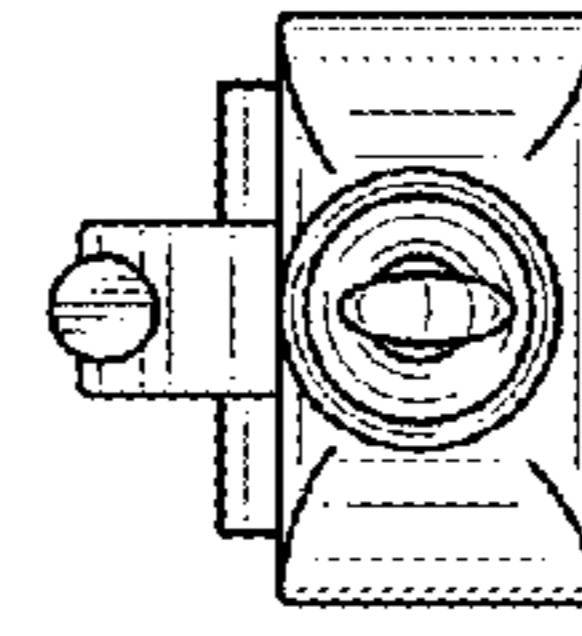


FIG. 7

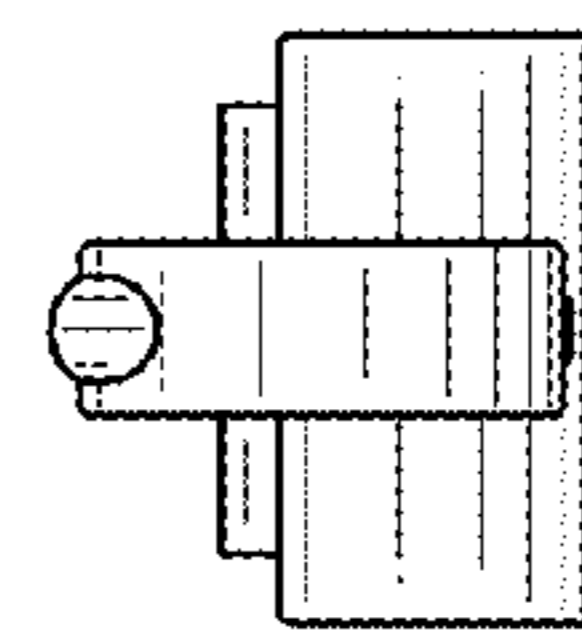


FIG. 6