



US00D721106S

(12) **United States Design Patent**
Okuyama et al.

(10) **Patent No.:** **US D721,106 S**
(45) **Date of Patent:** **** Jan. 13, 2015**

(54) **TRACTOR**

(71) Applicant: **Yanmar Co., Ltd.**, Osaka (JP)

(72) Inventors: **Kiyoyuki Okuyama**, Yamagata (JP);
Shinya Kawashiri, Osaka (JP)

(73) Assignee: **Yanmar Co., Ltd.**, Osaka (JP)

(**) Term: **14 Years**

(21) Appl. No.: **29/480,173**

(22) Filed: **Jan. 23, 2014**

(30) **Foreign Application Priority Data**

Jul. 24, 2013 (JP) 2013-16903

(51) **LOC (10) Cl.** **15-03**

(52) **U.S. Cl.**
USPC **D15/33**; D15/23; D15/28

(58) **Field of Classification Search**
USPC D15/10, 14-17, 22-26, 28, 31, 33;
56/13.3, 13.4, 15.8, 15.9, 16.1, 16.7,
56/175, 202; 180/89.1, 89.12, 900
See application file for complete search history.

(56) **References Cited**

U.S. PATENT DOCUMENTS

- D297,329 S * 8/1988 Monehaie et al. D15/30
- D344,959 S * 3/1994 Patterson et al. D15/17
- D439,586 S * 3/2001 Moehle et al. D15/33
- D440,234 S * 4/2001 Katoh et al. D15/23

- D440,982 S * 4/2001 Knight et al. D15/23
- D448,036 S * 9/2001 Goebert et al. D15/17
- D449,056 S * 10/2001 Westimayer et al. D15/28
- D484,894 S * 1/2004 McCord et al. D15/28
- D516,588 S * 3/2006 Higashikawa D15/28
- D544,888 S * 6/2007 Mursch et al. D15/28
- D591,774 S * 5/2009 Kokitkar et al. D15/28
- D591,775 S * 5/2009 Kokitkar et al. D15/28
- D604,750 S * 11/2009 Smith et al. D15/28
- D613,776 S * 4/2010 Bianco et al. D15/33
- D613,777 S * 4/2010 Bianco et al. D15/33
- D618,711 S * 6/2010 Tokuhara D15/28

* cited by examiner

Primary Examiner — Mark Goodwin

(74) *Attorney, Agent, or Firm* — Sterne, Kessler, Goldstein & Fox P.L.L.C.

(57) **CLAIM**

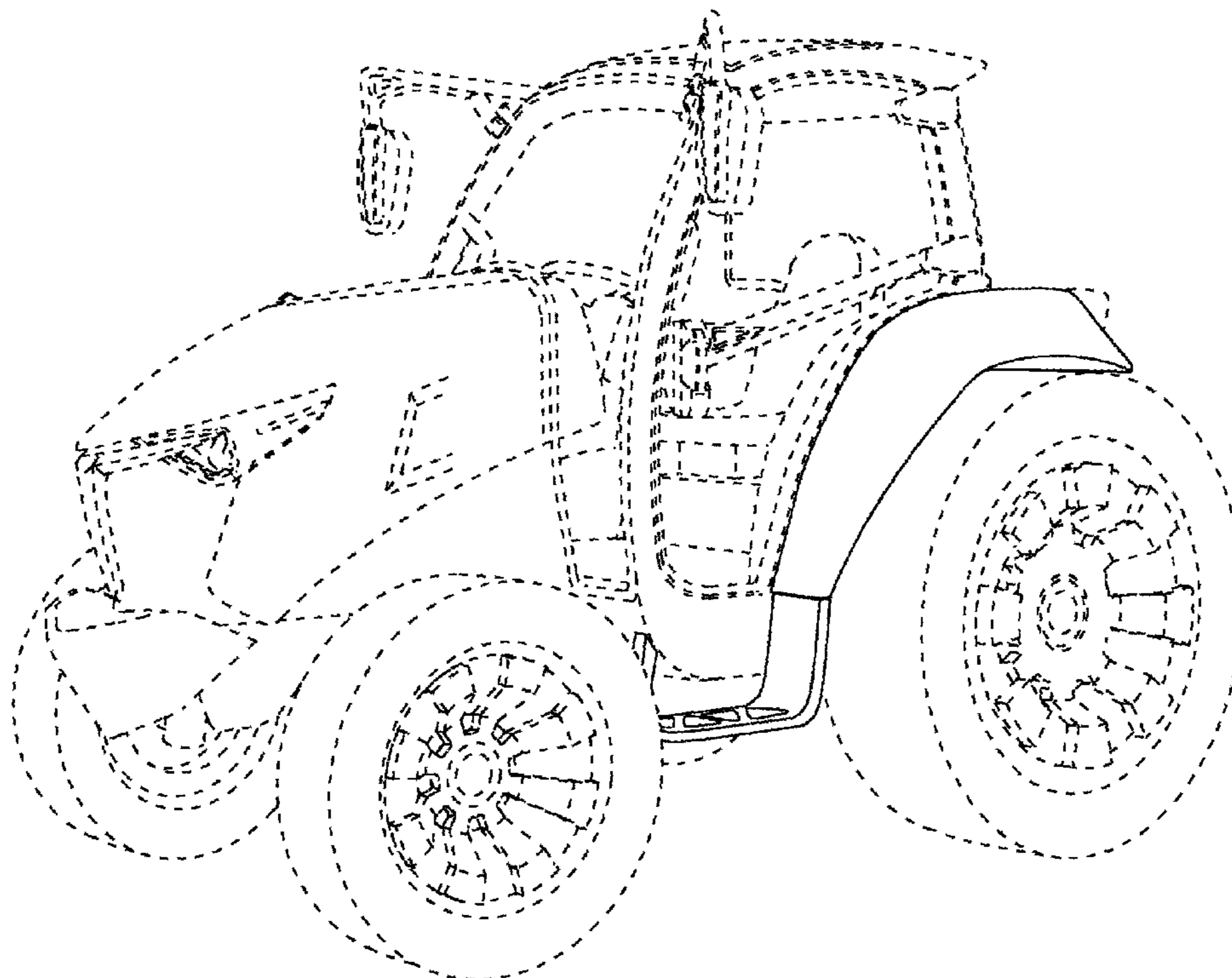
The ornamental design for a tractor, as shown and described.

DESCRIPTION

FIG. 1 is a front perspective view of a tractor showing our new design;
 FIG. 2 is a rear perspective view thereof;
 FIG. 3 is a front view thereof;
 FIG. 4 is a rear view thereof;
 FIG. 5 is a top plan view thereof;
 FIG. 6 is a bottom plan view thereof;
 FIG. 7 is a left side view thereof; and,
 FIG. 8 is a right side view thereof.

The broken lines in the Figures show environment for illustrative purposes only and form no part of the claimed design.

1 Claim, 8 Drawing Sheets



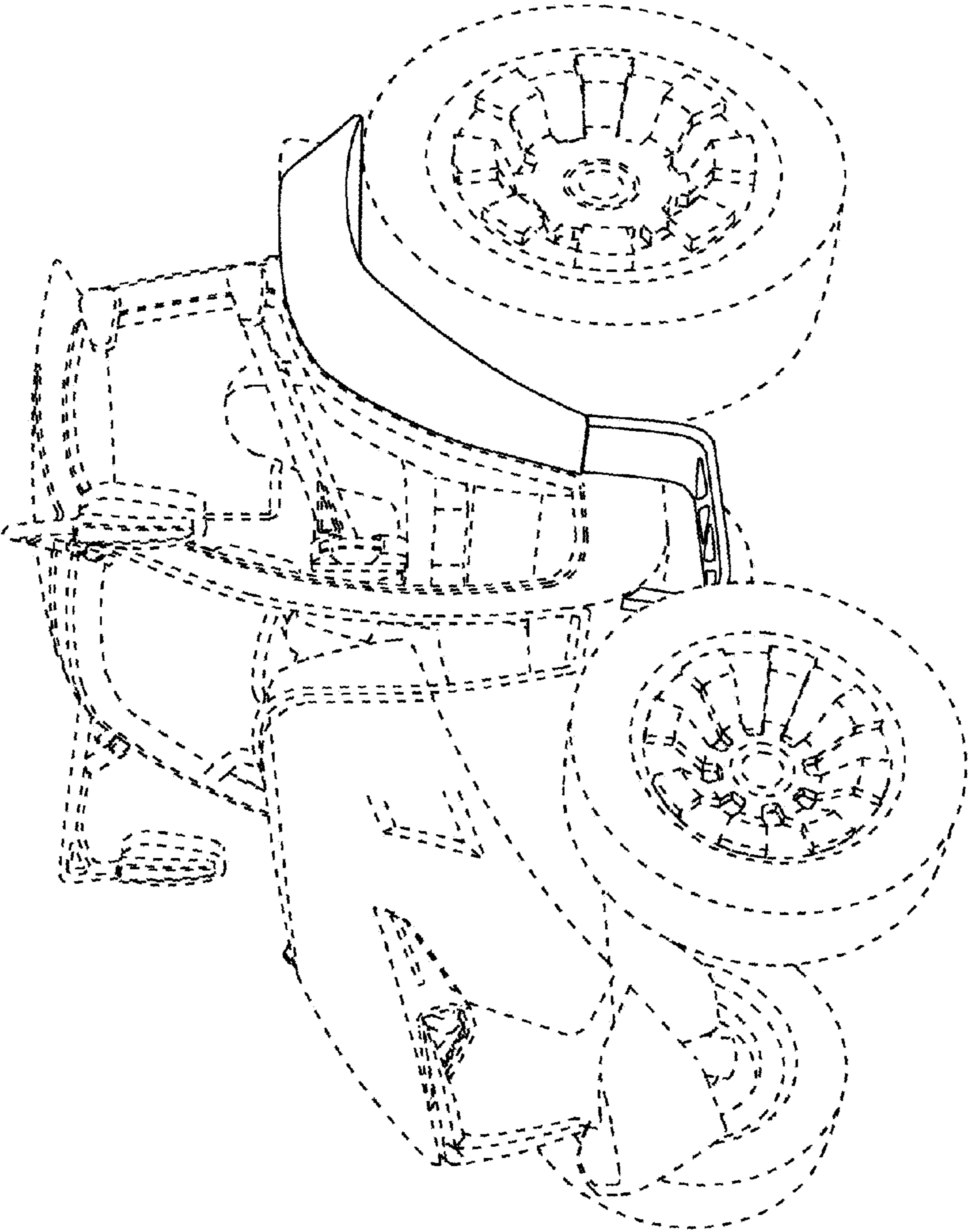


FIG. 1

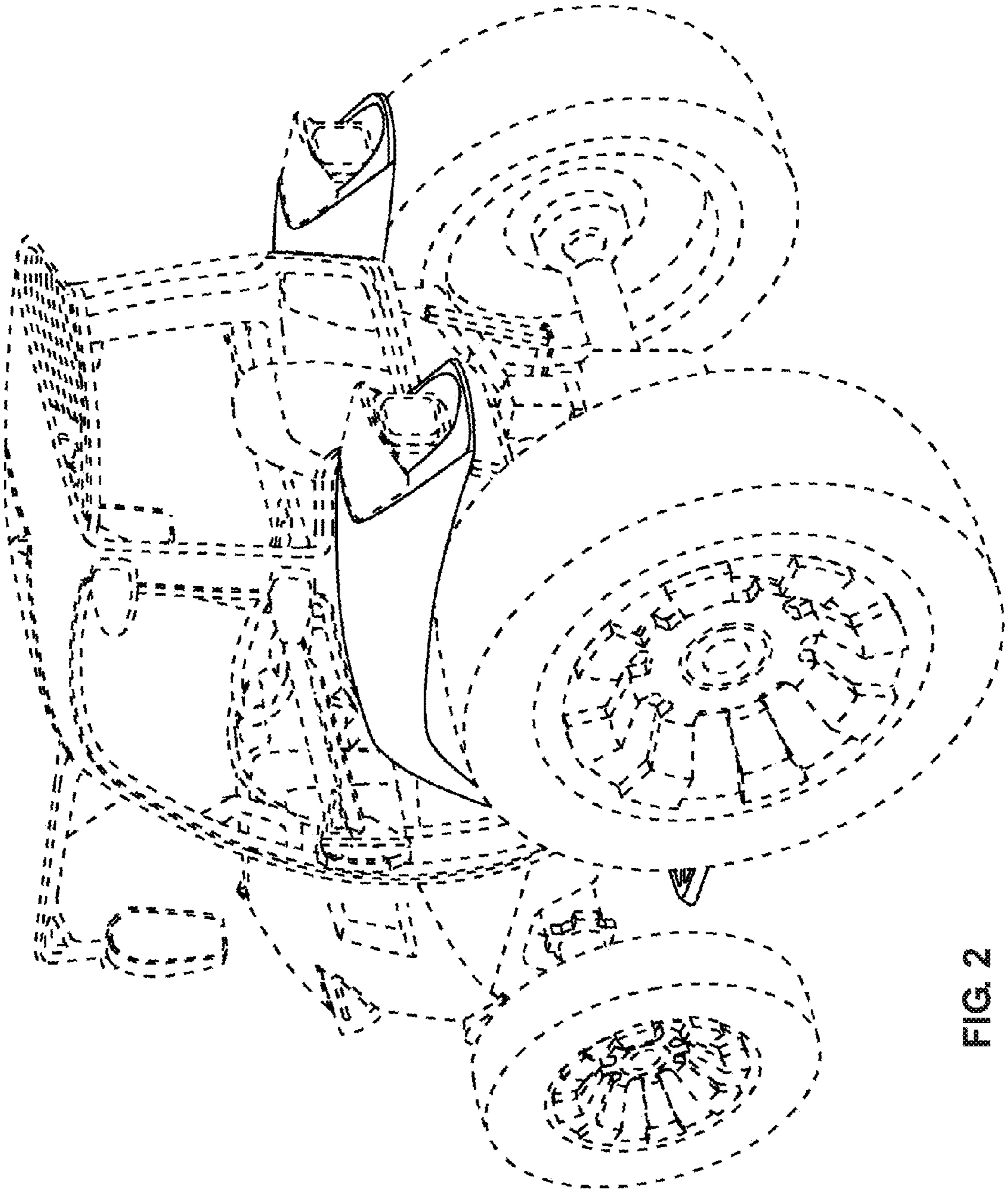


FIG. 2

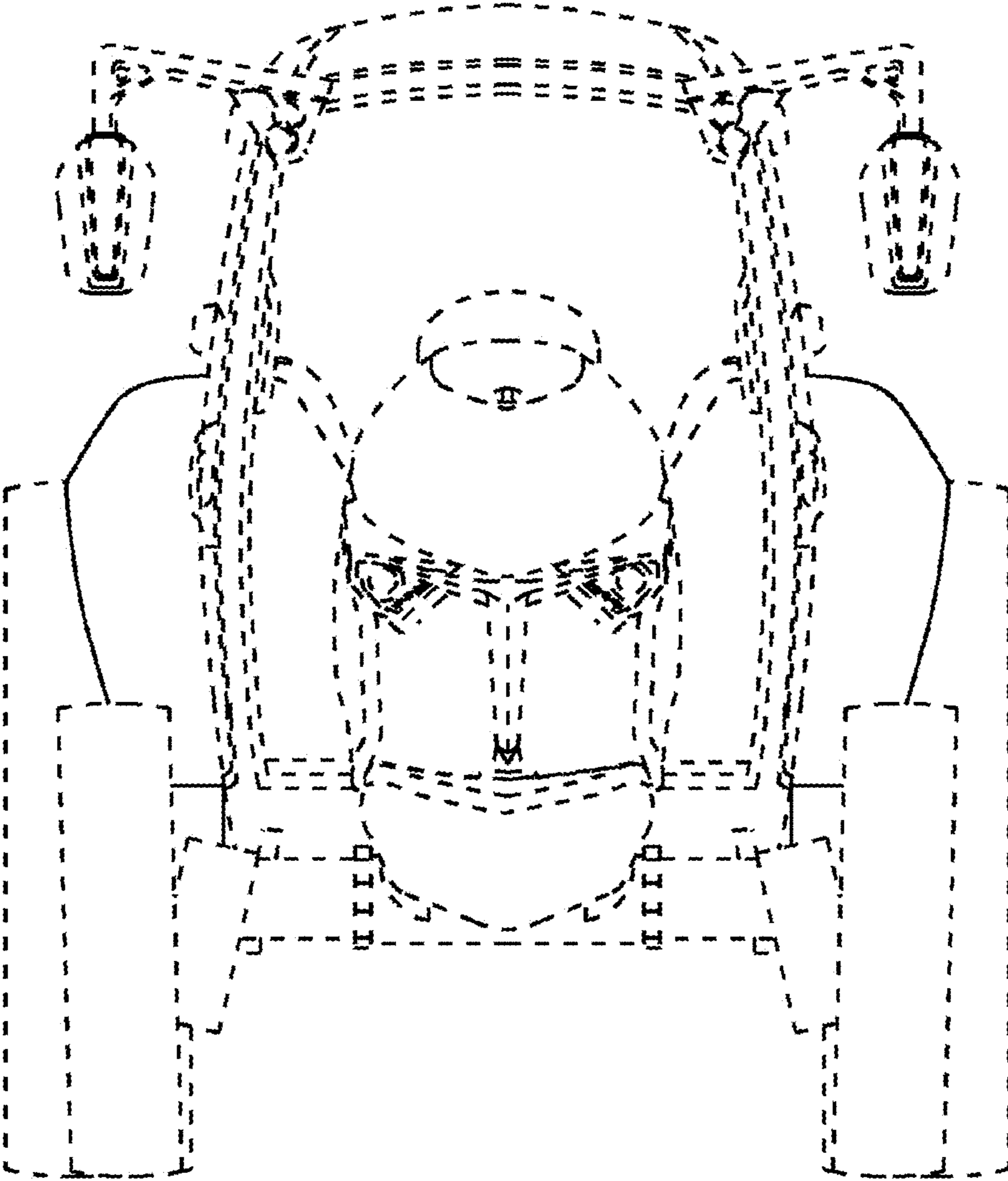


FIG. 3

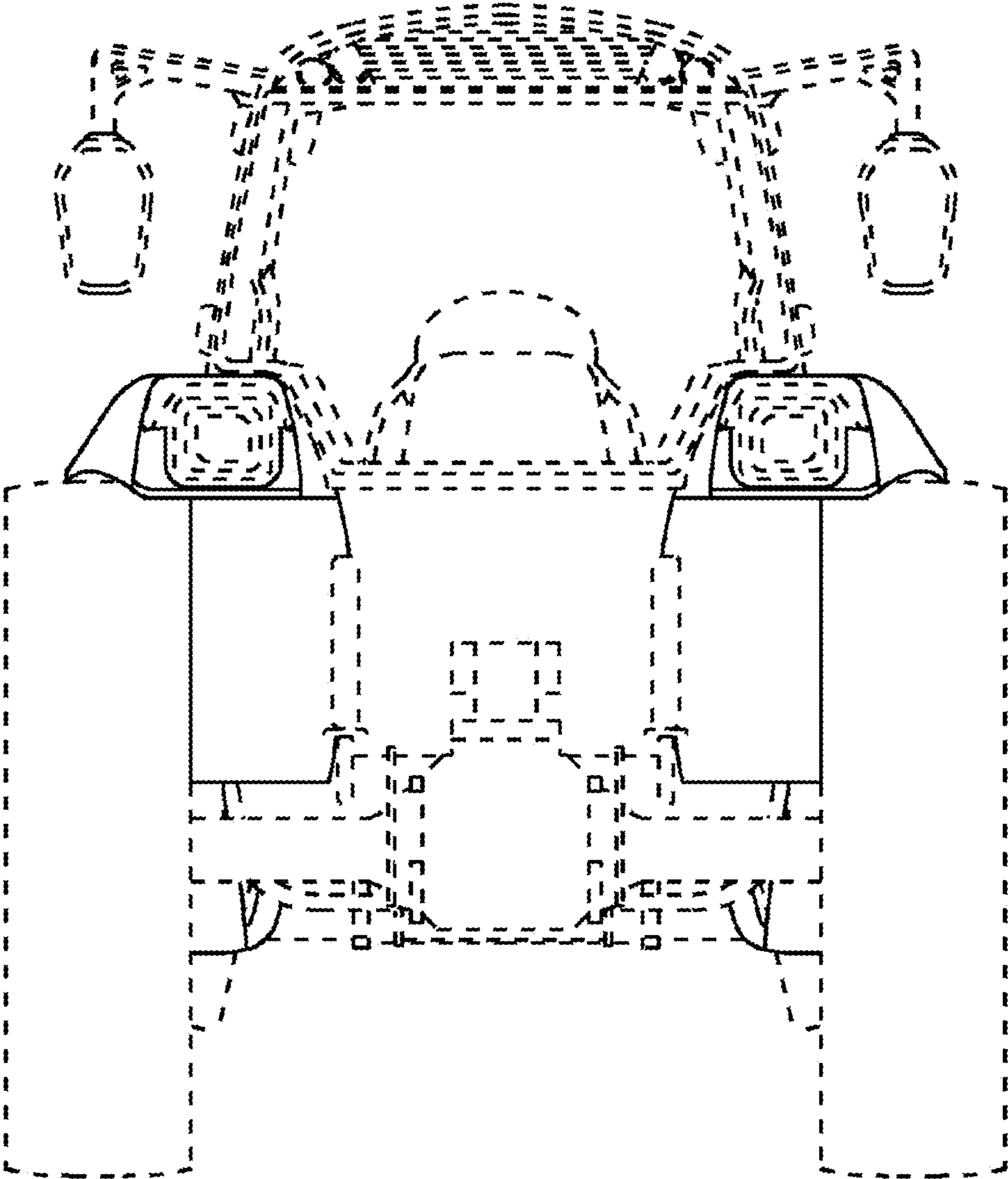


FIG. 4

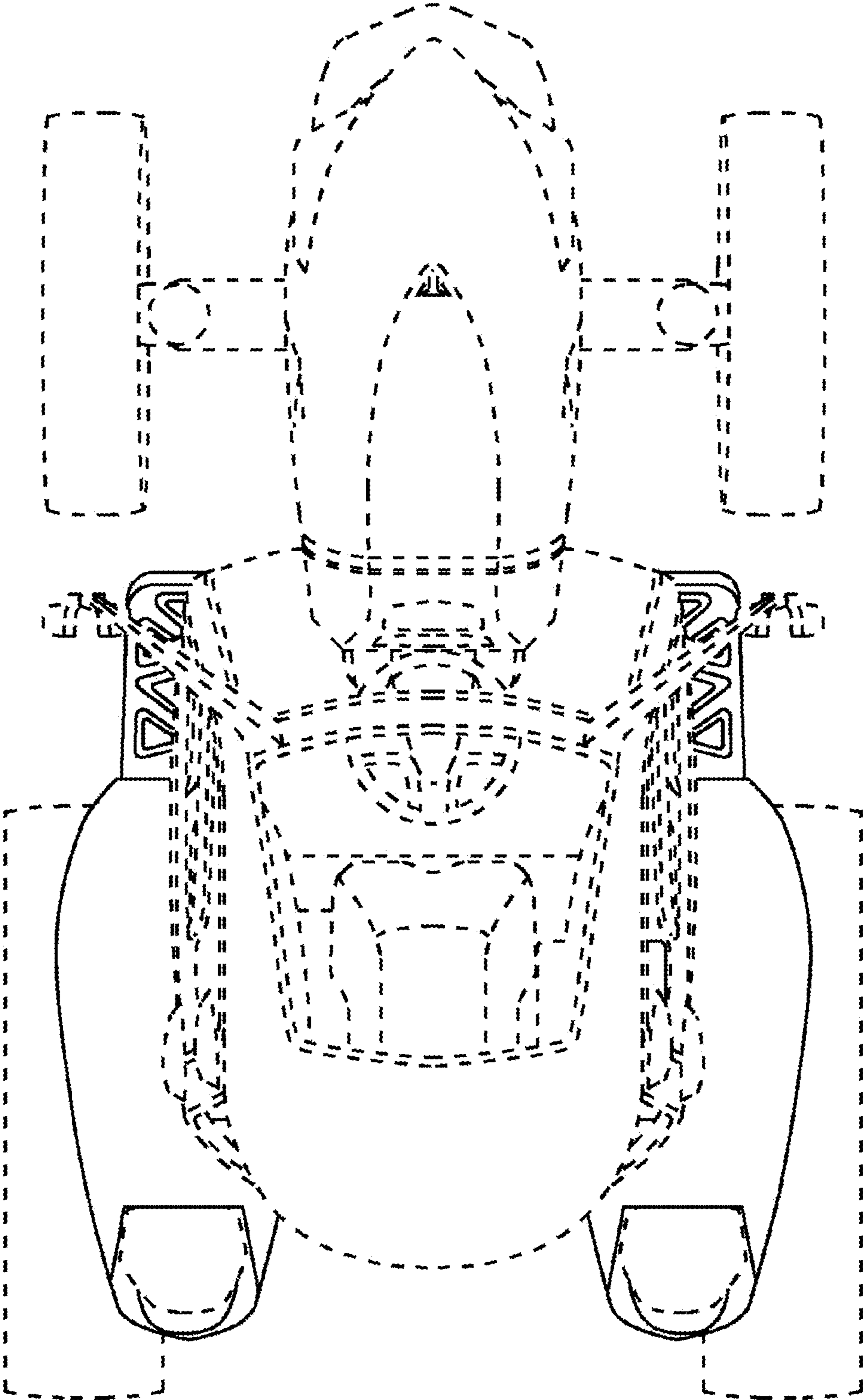


FIG. 5

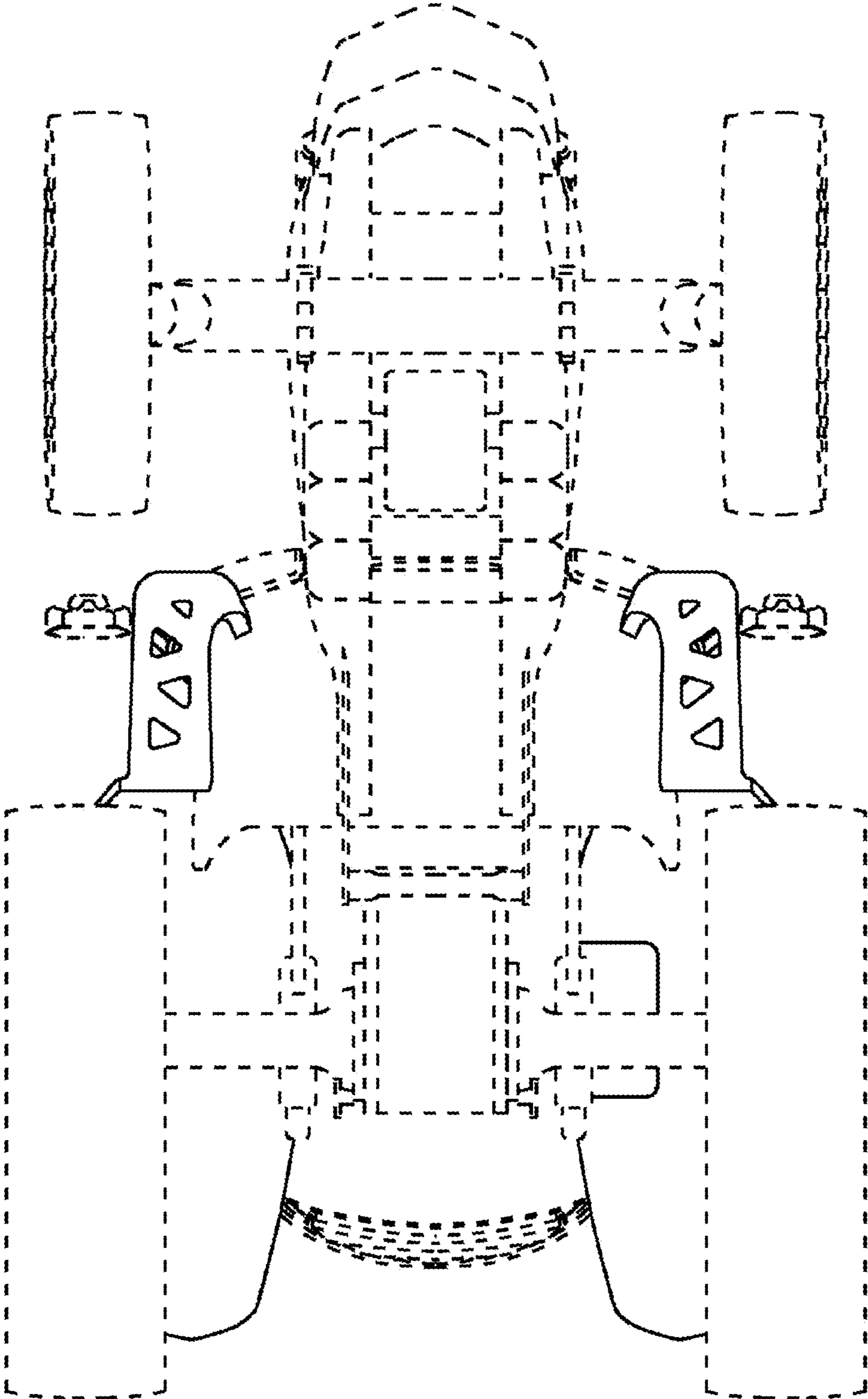


FIG. 6

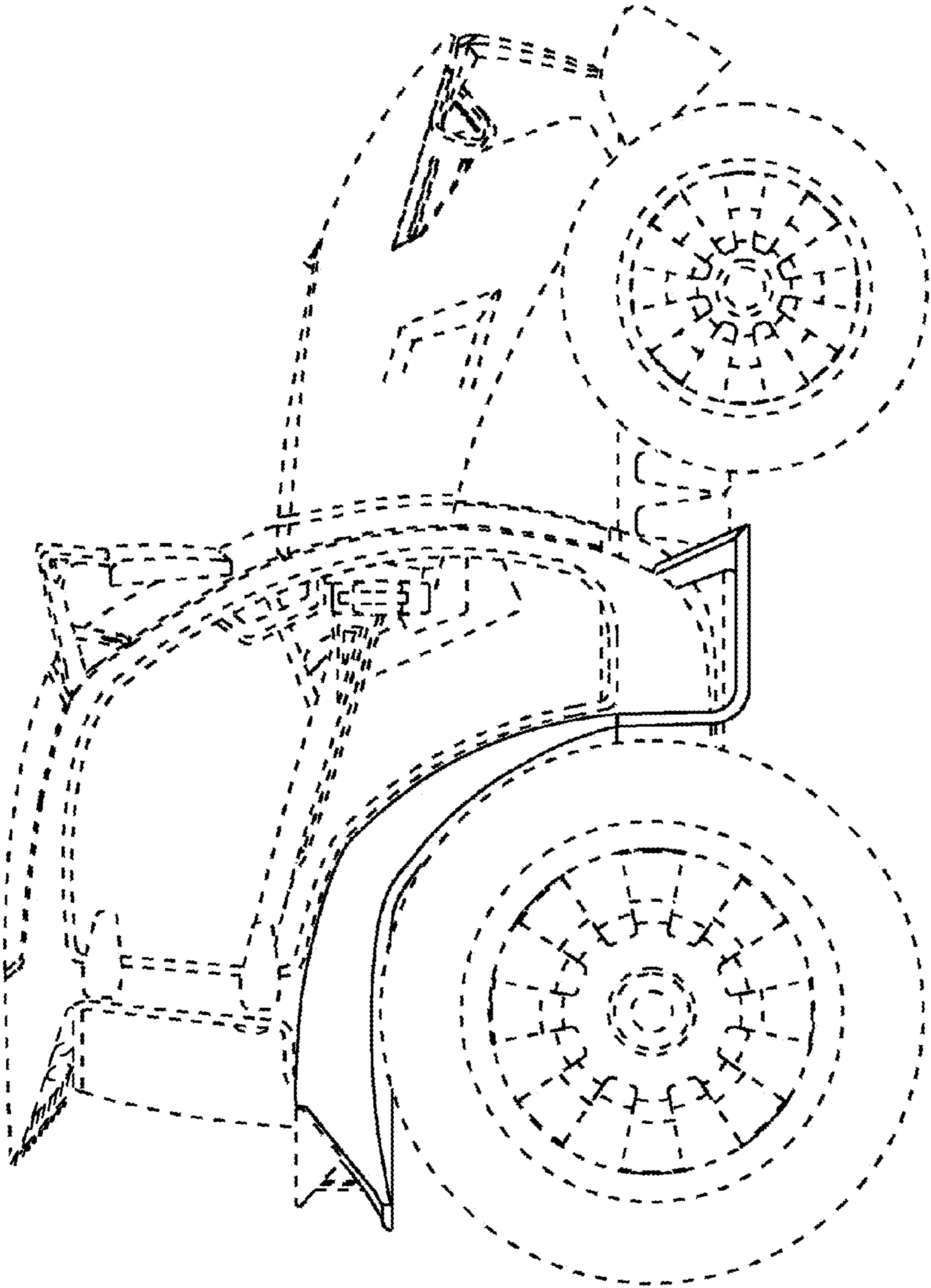


FIG 7

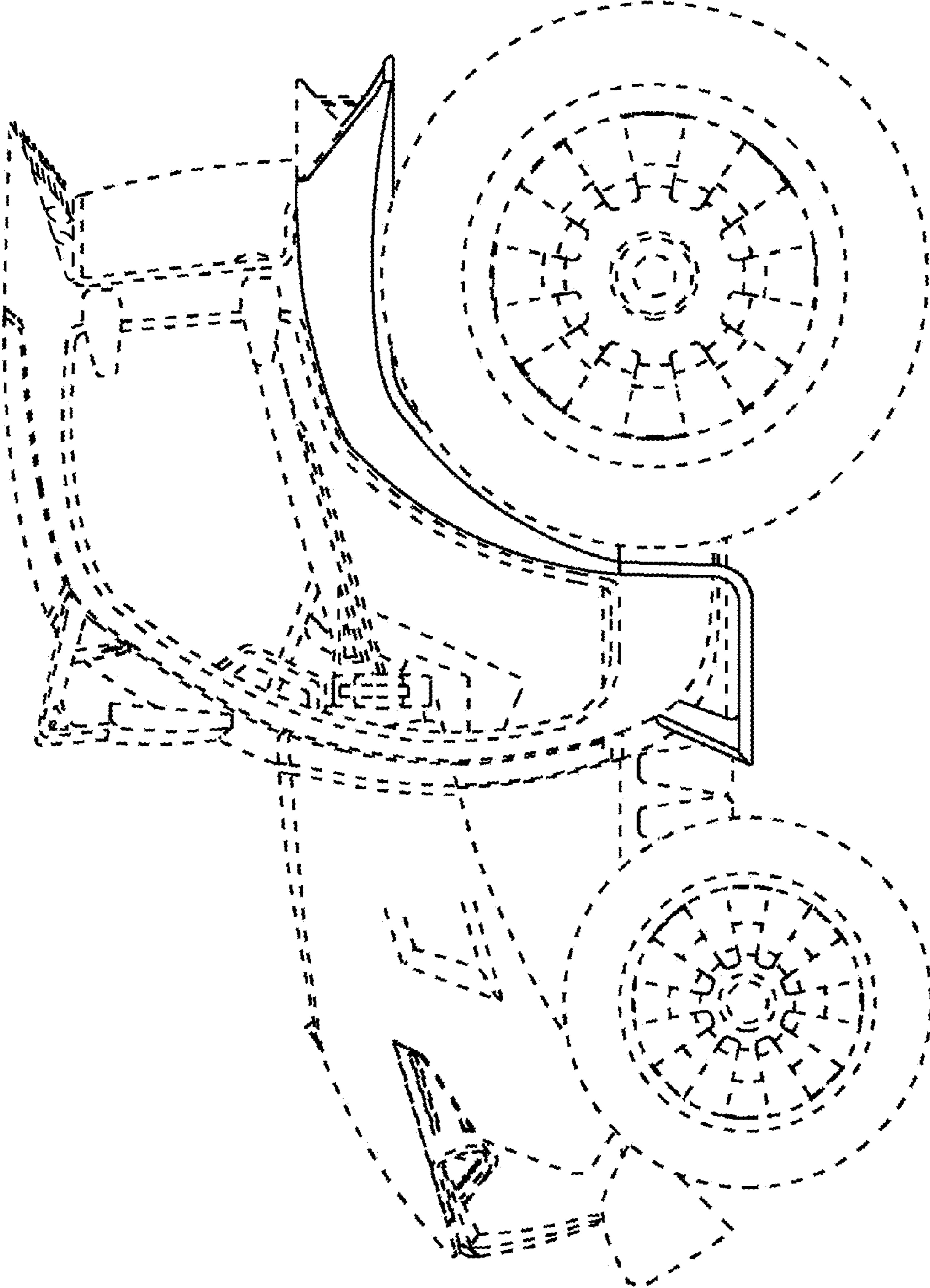


FIG. 8