



US00D721097S

(12) **United States Design Patent**
Kosaka et al.

(10) **Patent No.:** **US D721,097 S**
(45) **Date of Patent:** **** Jan. 13, 2015**

(54) **INTERNAL COMBUSTION ENGINE**

D685,819 S * 7/2013 Hataura et al. D15/1
D685,820 S * 7/2013 Okuda et al. D15/3
2012/0125283 A1* 5/2012 Russo et al. 123/195 C

(75) Inventors: **Tetsuya Kosaka**, Nishinomiya (JP);
Toshio Nakanishi, Sakai (JP)

FOREIGN PATENT DOCUMENTS

(73) Assignee: **Kubota Corporation**, Osaka (JP)

JP 2003104071 A 4/2003
JP D1402883 S 12/2010
JP D1404045 S 12/2010

(**) Term: **14 Years**

* cited by examiner

(21) Appl. No.: **29/415,336**

(22) Filed: **Mar. 9, 2012**

Primary Examiner — Thomas Johannes

Assistant Examiner — Khawaja Anwar

(30) **Foreign Application Priority Data**

Sep. 29, 2011 (JP) 2011-022323

(74) *Attorney, Agent, or Firm* — The Webb Law Firm

(51) **LOC (10) Cl.** **15-01**

(57) **CLAIM**

The ornamental design for an internal combustion engine, as shown and described.

(52) **U.S. Cl.**
USPC **D15/1**

DESCRIPTION

(58) **Field of Classification Search**
USPC D15/1, 2, 3, 4, 5, 6, 14, 17, 149;
123/22, 41.34, 41 A, 606 R, 521.1, 509,
123/50 B, 54.1, 54.2, 54.4, 54.5, 65 R,
123/195 R, 657, 311

FIG. 1 is a front view of an internal combustion engine showing our new design;
FIG. 2 is a rear view thereof;
FIG. 3 is a left side view thereof;
FIG. 4 is a right side view thereof;
FIG. 5 is a top view thereof;
FIG. 6 is a bottom view thereof;
FIG. 7 is an upper front right perspective view thereof;
FIG. 8 is an upper front left perspective view thereof;
FIG. 9 is an upper rear right perspective view thereof; and,
FIG. 10 is an upper rear left perspective view thereof.

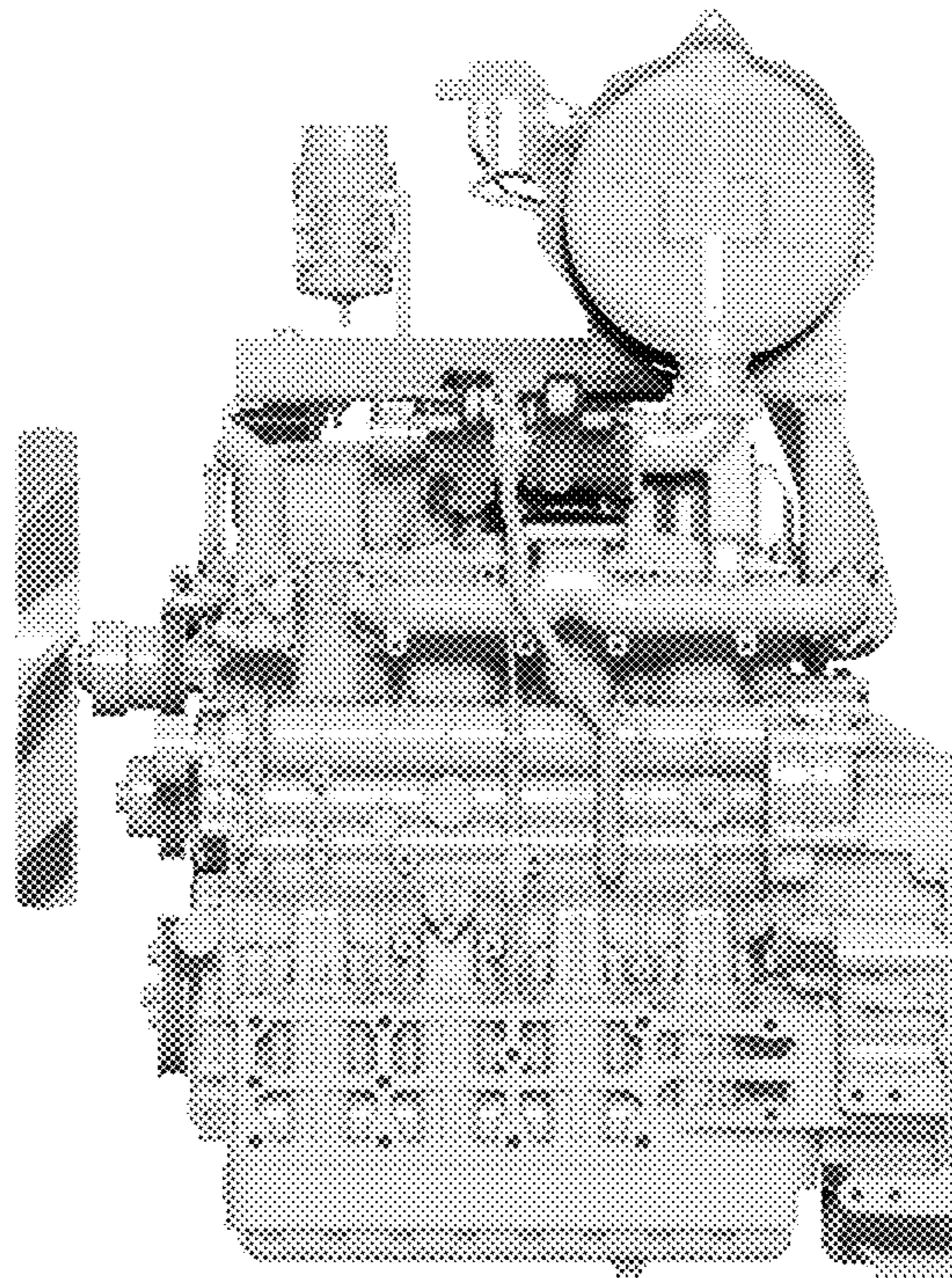
See application file for complete search history.

(56) **References Cited**

U.S. PATENT DOCUMENTS

D224,169 S * 7/1972 Rudd D15/1
D610,164 S * 2/2010 Takahata et al. D15/1
D665,425 S * 8/2012 Genter et al. D15/3

1 Claim, 10 Drawing Sheets



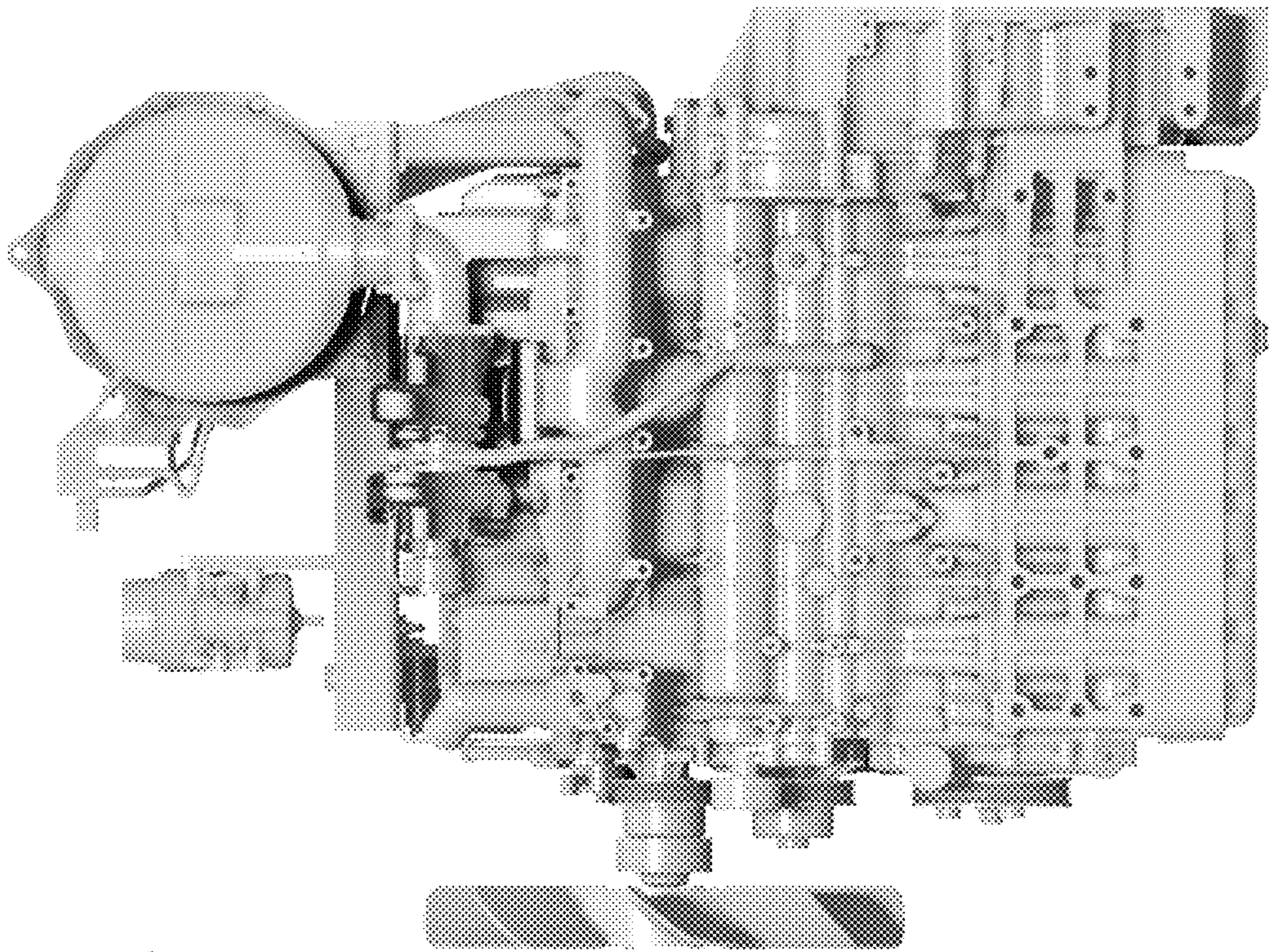


FIG. 1

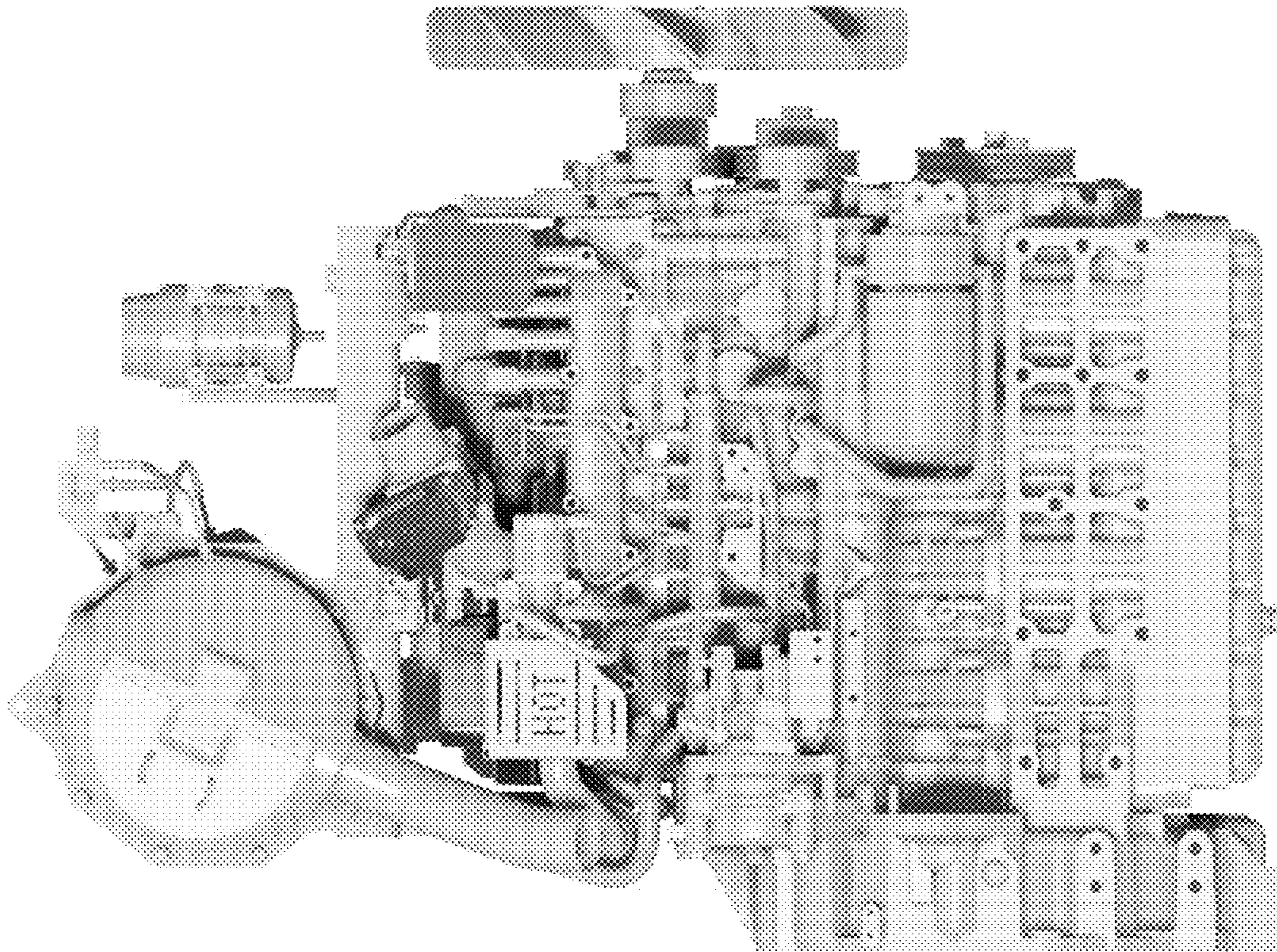


FIG. 2

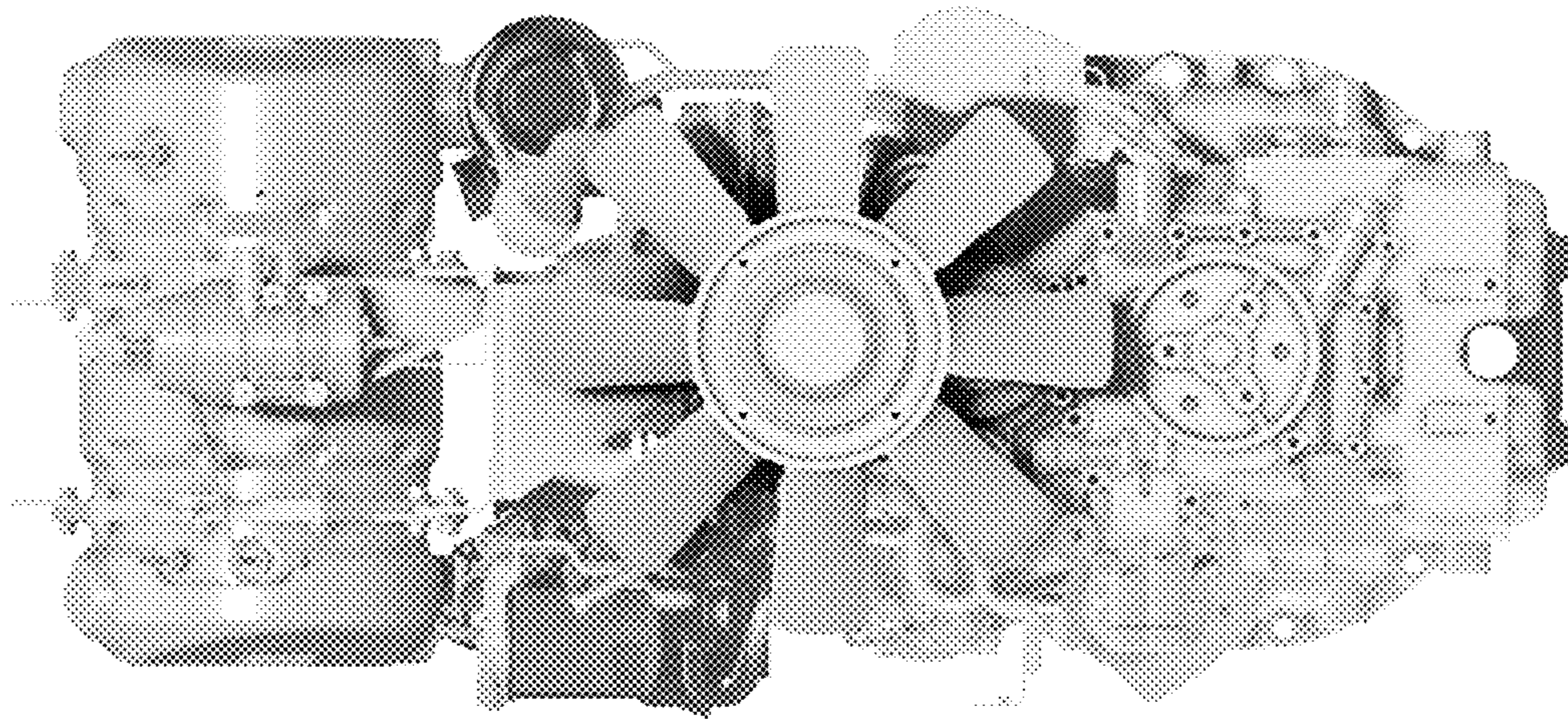


FIG. 3

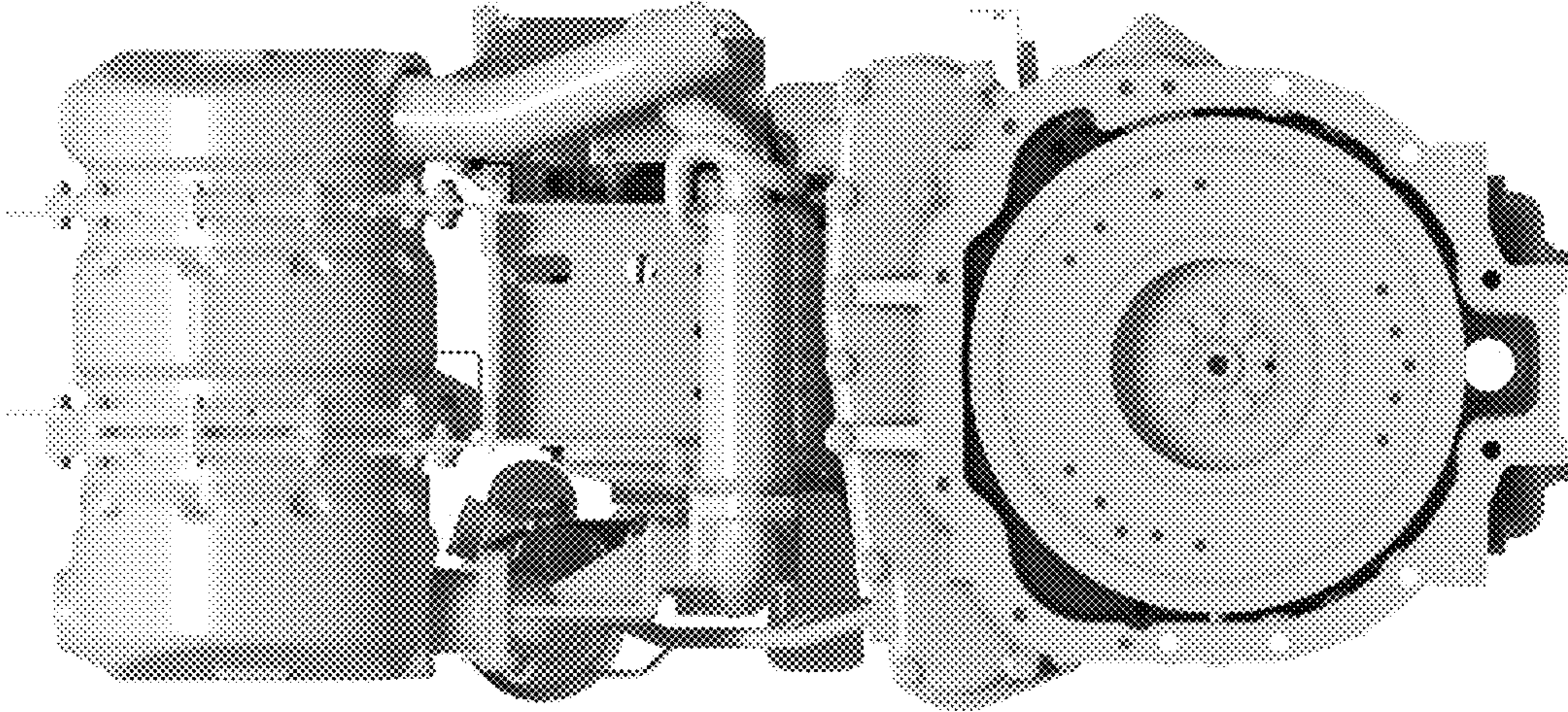


FIG. 4

FIG. 5

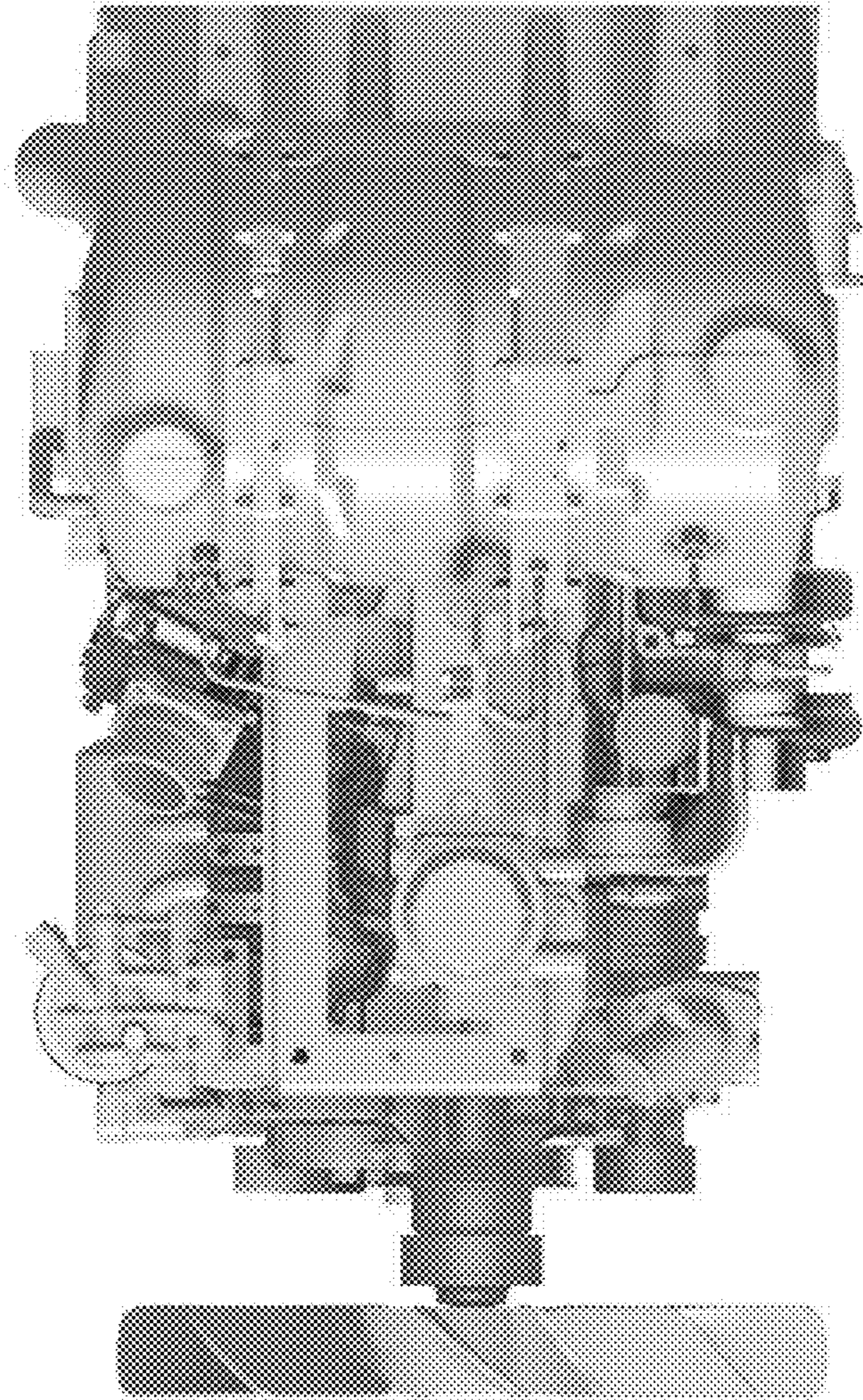
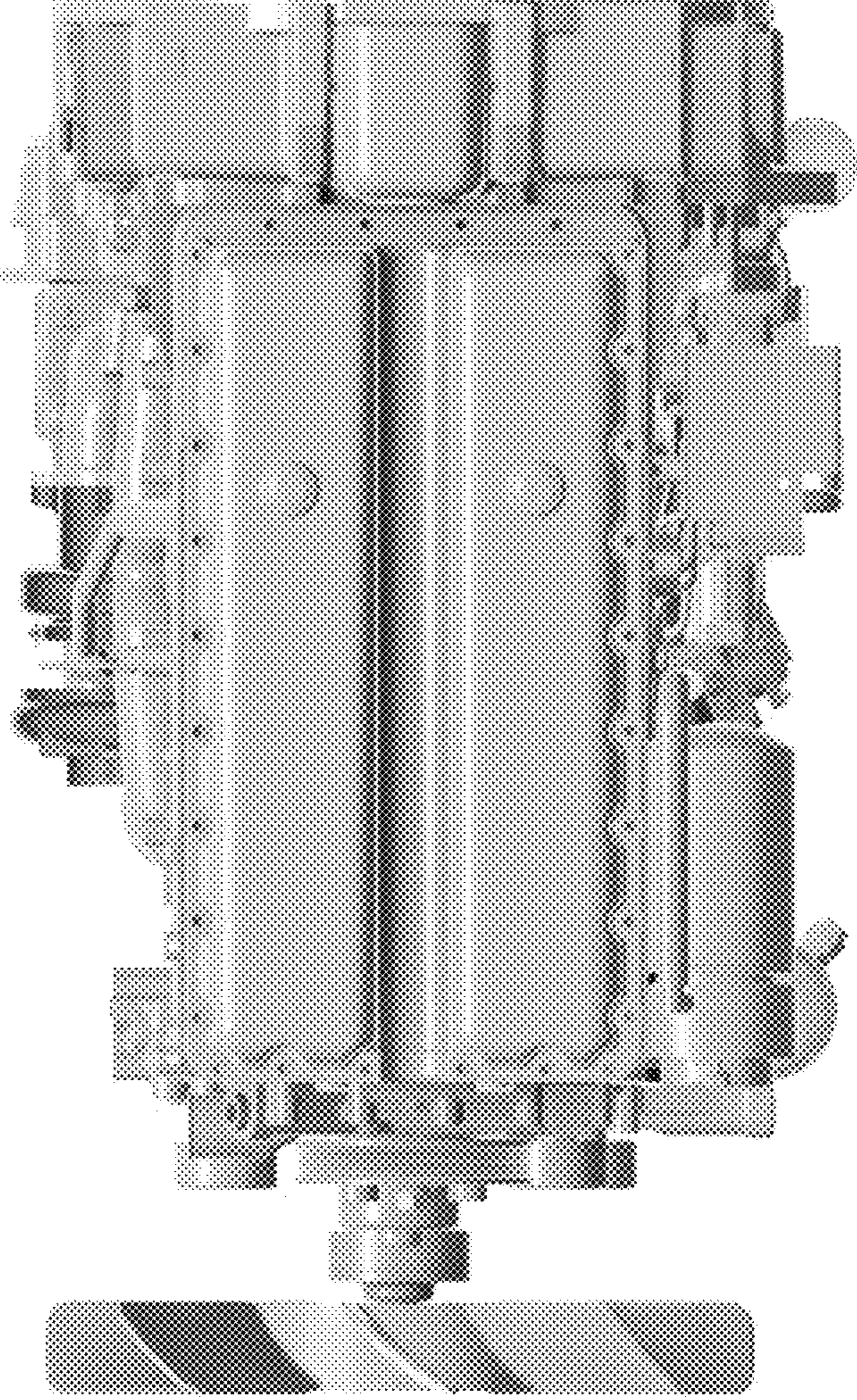


FIG. 6



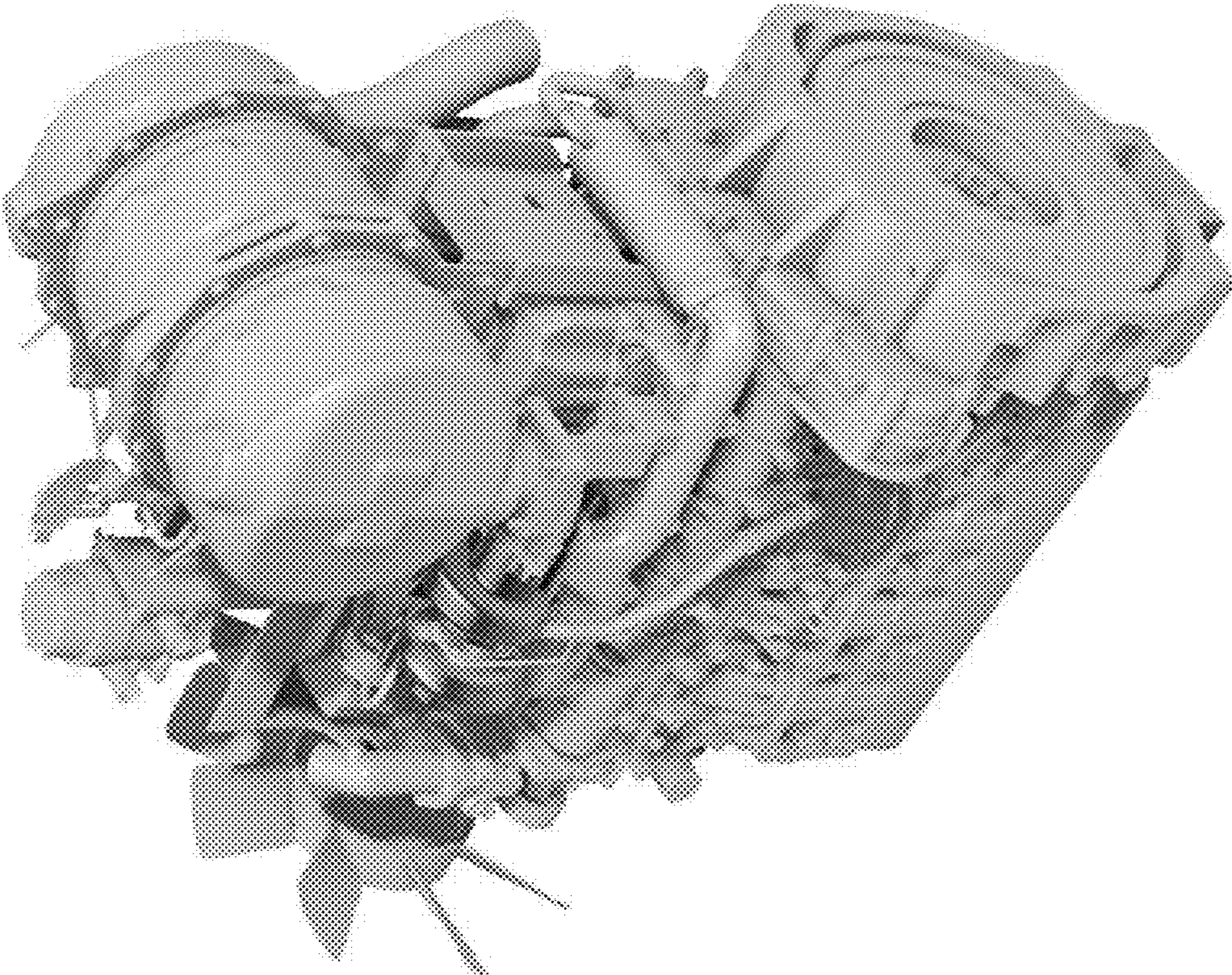


FIG. 7

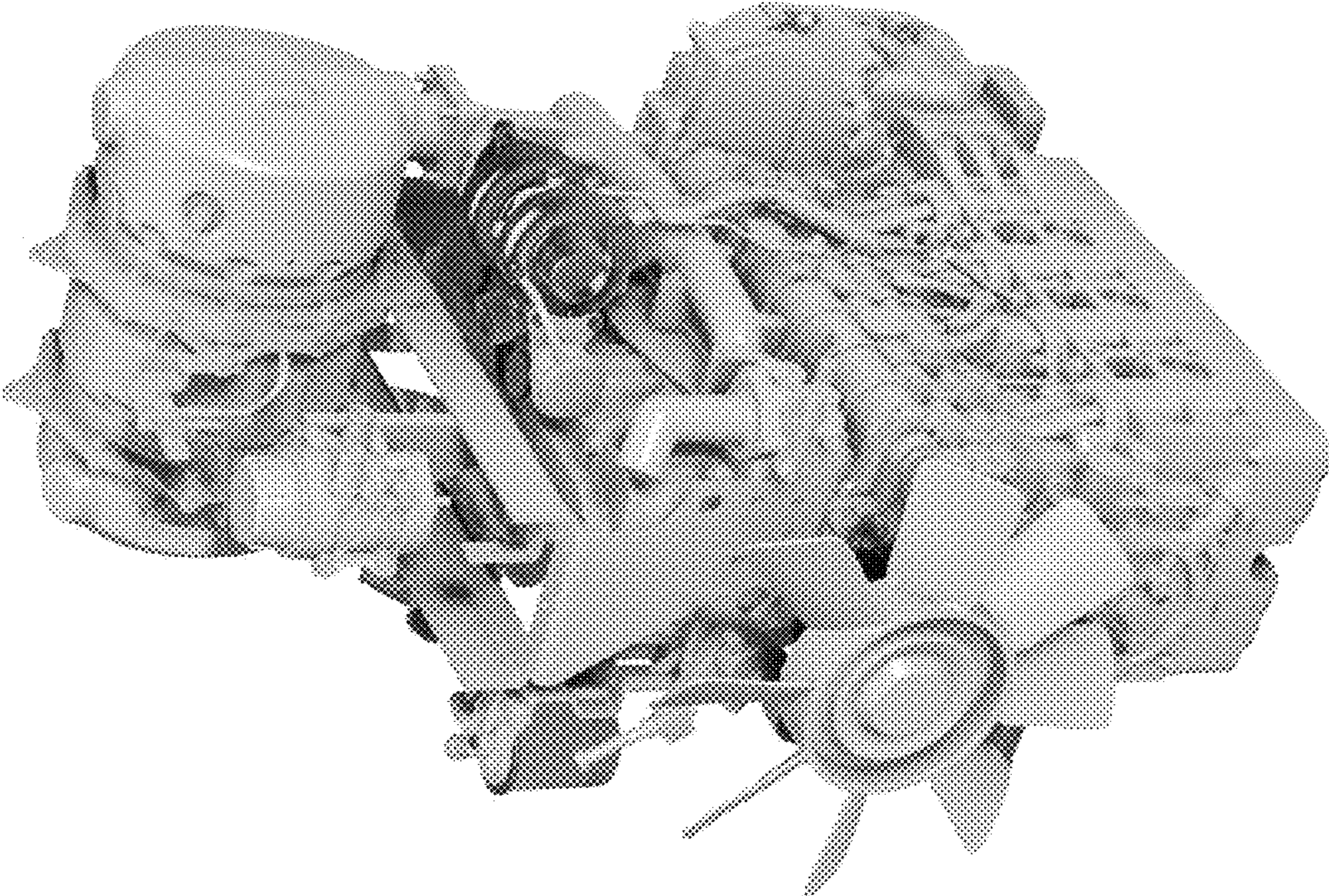


FIG. 8

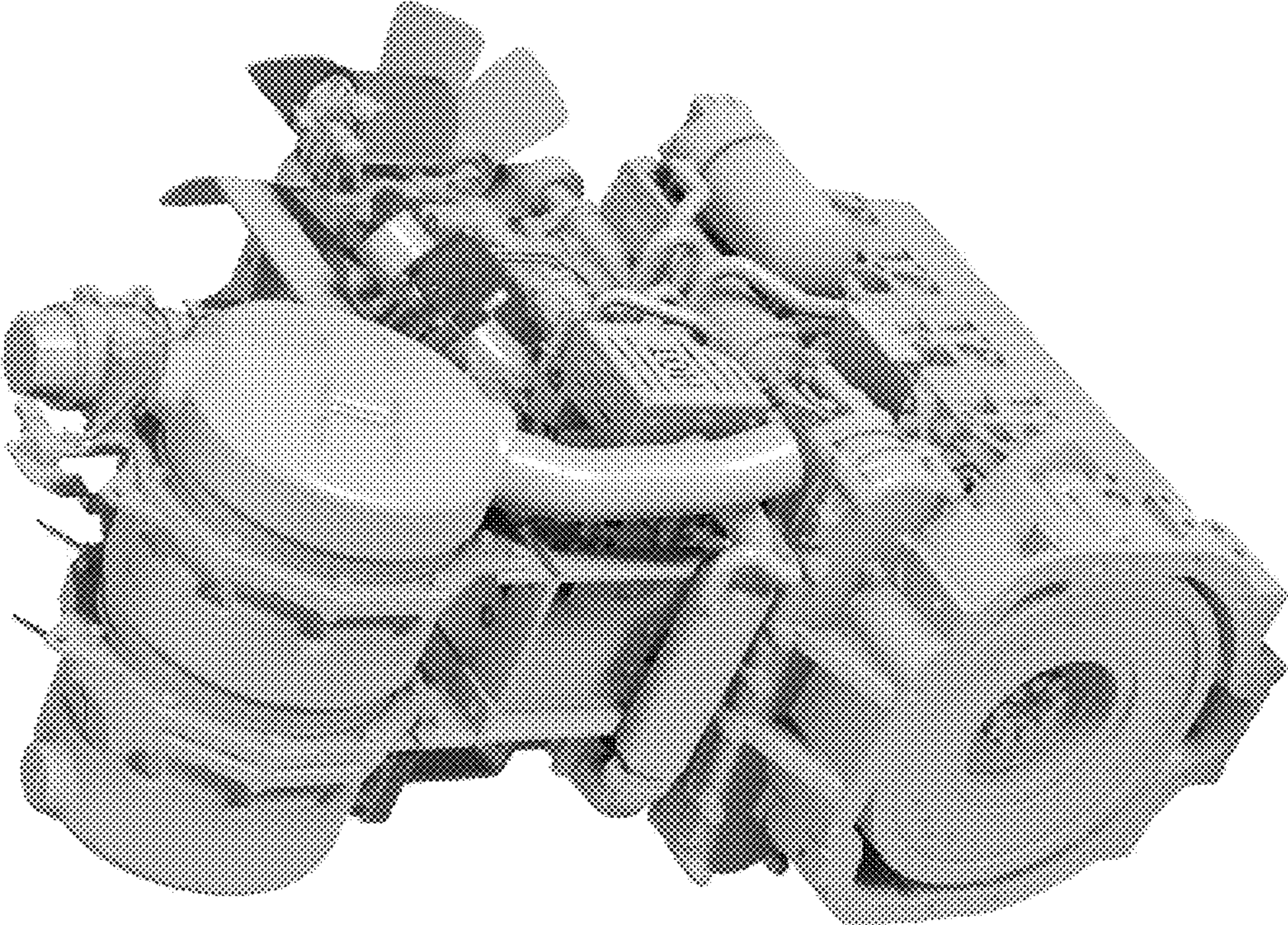


FIG. 9

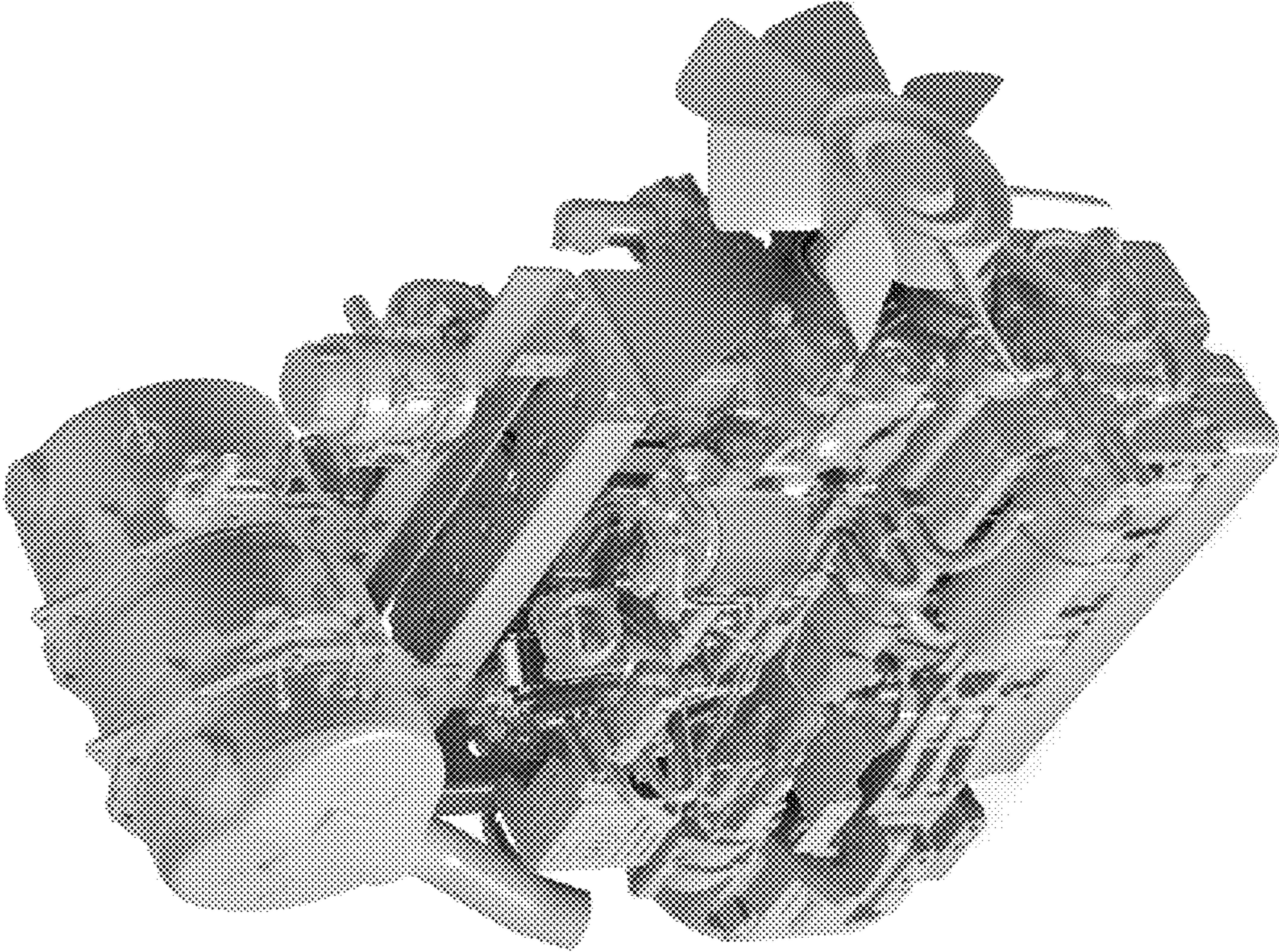


FIG. 10