

US00D721087S

(12) **United States Design Patent**  
**Barling**

(10) **Patent No.:** **US D721,087 S**  
(45) **Date of Patent:** **\*\* Jan. 13, 2015**

(54) **DISPLAY SCREEN WITH GRAPHICAL USER INTERFACE**

(71) Applicant: **Microsoft Corporation**, Redmond, WA (US)

(72) Inventor: **Nicholas R. Barling**, Redmond, WA (US)

(73) Assignee: **Microsoft Corporation**, Redmond, WA (US)

(\*\*) Term: **14 Years**

(21) Appl. No.: **29/453,593**

(22) Filed: **Apr. 30, 2013**

(51) **LOC (10) Cl.** ..... **14-04**

(52) **U.S. Cl.**  
USPC ..... **D14/485**

(58) **Field of Classification Search**  
CPC ..... G06F 3/0481; G06F 3/0482; G06F 3/048; G06F 3/0486; G06F 3/04817  
USPC ..... D14/485-495  
See application file for complete search history.

(56) **References Cited**

**U.S. PATENT DOCUMENTS**

D396,455 S *	7/1998	Bier	.....	D14/489
D416,550 S *	11/1999	Richter	.....	D14/489
D458,611 S *	6/2002	Gallo	.....	D14/485
D461,822 S *	8/2002	Okuley	.....	D14/489
6,448,987 B1 *	9/2002	Easty et al.	.....	715/834
D474,197 S *	5/2003	Nguyen	.....	D14/486
D493,177 S *	7/2004	Retuta et al.	.....	D14/486
D500,766 S *	1/2005	Hanisch et al.	.....	D14/489
D505,135 S *	5/2005	Sapp et al.	.....	D14/489
D507,002 S *	7/2005	Retuta et al.	.....	D14/486
D511,524 S *	11/2005	Retuta et al.	.....	D14/486
D523,441 S *	6/2006	Sapp et al.	.....	D14/486
D529,038 S *	9/2006	Sapp et al.	.....	D14/486
D534,541 S *	1/2007	Retuta et al.	.....	D14/486

D534,915 S *	1/2007	Retuta et al.	.....	D14/486
D544,495 S *	6/2007	Evans et al.	.....	D14/488
D549,713 S *	8/2007	Lewin et al.	.....	D14/485
D550,696 S *	9/2007	Kortum et al.	.....	D14/491
D554,659 S *	11/2007	Hoover et al.	.....	D14/487
D554,660 S *	11/2007	Hoover et al.	.....	D14/487
D554,661 S *	11/2007	Hoover et al.	.....	D14/487
D574,395 S *	8/2008	Loretan et al.	.....	D14/487
D590,838 S *	4/2009	Bisig et al.	.....	D14/492
D591,305 S *	4/2009	Shimoda	.....	D14/485
D593,107 S *	5/2009	Shimoda et al.	.....	D14/485
D595,311 S *	6/2009	Ozzie et al.	.....	D14/489
D601,571 S *	10/2009	Vu et al.	.....	D14/485
D602,033 S *	10/2009	Vu et al.	.....	D14/485
D606,091 S *	12/2009	O'Donnell et al.	.....	D14/489
D607,007 S *	12/2009	Kocmick	.....	D14/489
D611,952 S *	3/2010	Berg et al.	.....	D14/489

(Continued)

**OTHER PUBLICATIONS**

William Baxter and Naga Govindaraju, Simple Data-Driven Modeling of Brushes, published Feb. 2010, by Association for Computing Machinery, Inc., USA [online]. [retrieved Jul. 16, 2013]. Retrieved from Internet, URL: <<http://research.microsoft.com/apps/pubs/default.aspx?id=120512>>.

(Continued)

*Primary Examiner* — Kevin Rudzinski

(74) *Attorney, Agent, or Firm* — Banner & Witcoff, Ltd.

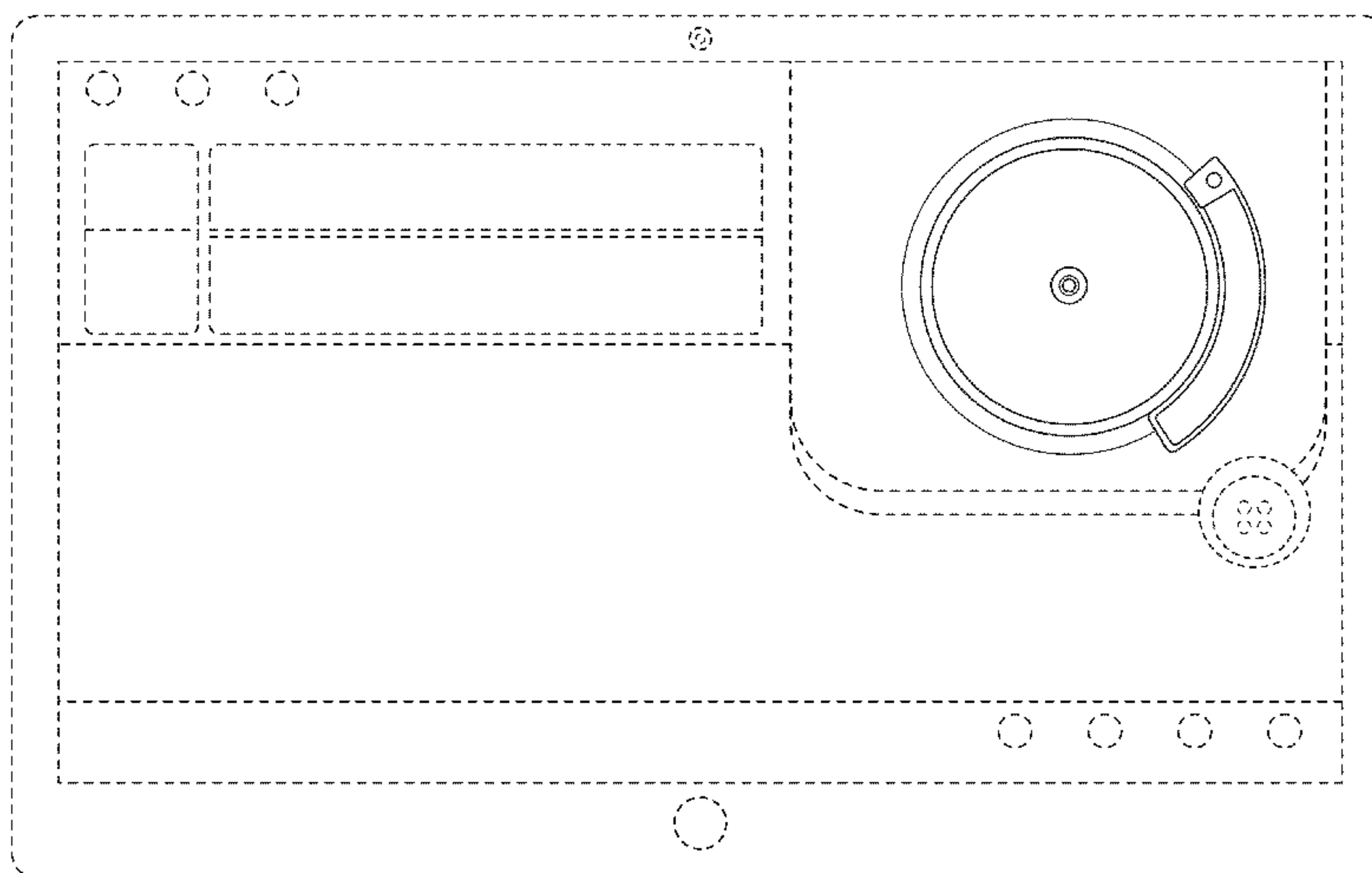
(57) **CLAIM**

The ornamental design for a display screen with graphical user interface, as shown and described.

**DESCRIPTION**

The FIGURE is a front view of a display screen with graphical user interface showing my new design. The broken line showing of the remainder of the user interface and display screen is for environmental purposes only and forms no part of the claimed design.

**1 Claim, 1 Drawing Sheet**



(56)

References Cited

U.S. PATENT DOCUMENTS

D612,399 S \* 3/2010 Fletcher et al. .... D14/492  
 D614,192 S \* 4/2010 Takano et al. .... D14/486  
 D619,614 S \* 7/2010 O'Mullan et al. .... D14/489  
 D623,658 S \* 9/2010 Fitzmaurice et al. .... D14/489  
 D624,933 S \* 10/2010 Fitzmaurice et al. .... D14/489  
 D625,319 S \* 10/2010 Allen et al. .... D14/485  
 D625,327 S \* 10/2010 Fitzmaurice et al. .... D14/489  
 D625,328 S \* 10/2010 Fitzmaurice et al. .... D14/489  
 D627,360 S \* 11/2010 Aarseth ..... D14/485  
 D630,646 S \* 1/2011 Wilson ..... D14/487  
 D630,647 S \* 1/2011 Wilson ..... D14/487  
 D635,988 S \* 4/2011 Mays et al. .... D14/487  
 D644,243 S \* 8/2011 Matas ..... D14/489  
 D645,470 S \* 9/2011 Matas ..... D14/489  
 D665,163 S \* 8/2012 Leifeld et al. .... D3/203.2  
 D668,673 S \* 10/2012 Molino et al. .... D14/489  
 D684,585 S \* 6/2013 Plesnicher et al. .... D14/486  
 D684,586 S \* 6/2013 Plesnicher et al. .... D14/486  
 D684,587 S \* 6/2013 Plesnicher et al. .... D14/486  
 D695,757 S \* 12/2013 Ray et al. .... D14/486  
 D697,071 S \* 1/2014 Brinda ..... D14/485  
 D697,076 S \* 1/2014 Oda et al. .... D14/486  
 D699,248 S \* 2/2014 Pearson et al. .... D14/485  
 D699,251 S \* 2/2014 Rao et al. .... D14/486  
 D699,737 S \* 2/2014 Pearson et al. .... D14/486  
 D699,745 S \* 2/2014 Pearson et al. .... D14/488  
 D699,746 S \* 2/2014 Pearson et al. .... D14/488

D699,747 S \* 2/2014 Pearson et al. .... D14/488  
 D699,748 S \* 2/2014 Pearson et al. .... D14/488  
 D699,749 S \* 2/2014 Pearson et al. .... D14/488  
 D699,750 S \* 2/2014 Pearson et al. .... D14/488  
 D700,207 S \* 2/2014 Pearson et al. .... D14/488  
 D702,251 S \* 4/2014 Kotler et al. .... D14/487  
 D702,707 S \* 4/2014 Kotler et al. .... D14/487  
 D704,213 S \* 5/2014 Agnew ..... D14/487  
 D710,367 S \* 8/2014 Quattrocchi ..... D14/485  
 D711,904 S \* 8/2014 Sundry et al. .... D14/486  
 D711,905 S \* 8/2014 Morrison et al. .... D14/486  
 2005/0010955 A1 \* 1/2005 Elia et al. .... 725/88

OTHER PUBLICATIONS

Nelson Chu et al., Detail Preserving Paint Modeling for 3D Brushes, published 7 Jun. 2010, by Association for Computing Machinery, Inc., USA [online]. [retrieved Jul. 16, 2013]. Retrieved from Internet, URL: <<http://research.microsoft.com/apps/pubs/default.aspx?id=121930>>.  
 Project Gustav: Immersive Digital Painting, published Mar. 2, 2010, by Microsoft Corporation, Redmond, WA, USA [online]. [retrieved Jul. 16, 2013]. Retrieved from Internet, URL: <<http://research.microsoft.com/en-us/projects/gustav/default.aspx>>.  
 Screenshots of Microsoft Paint program, published by Microsoft Corporation, Redmond, WA, USA. Print date Jul. 16, 2013. Date released unknown, but prior to the filing of the present application.

\* cited by examiner

