



US00D721081S

(12) **United States Design Patent**  
**Hirst**

(10) **Patent No.:** **US D721,081 S**  
(45) **Date of Patent:** **\*\* Jan. 13, 2015**

(54) **TABLET PERSONAL COMPUTER FLIP CASE**

(71) Applicant: **Marvelpress Limited**, Sheffield (GB)

(72) Inventor: **Paul Hirst**, Sheffield (GB)

(\*\*) Term: **14 Years**

(21) Appl. No.: **29/490,829**

(22) Filed: **May 14, 2014**

(51) **LOC (10) Cl.** ..... **14-02**

(52) **U.S. Cl.**  
USPC ..... **D14/440**

(58) **Field of Classification Search**

CPC ... G06F 1/1601; G06F 1/1626; G06F 1/1633;  
G06F 1/1675; G06F 1/1679; G02F 1/1306;  
G02F 1/133; G02F 1/133308; G02F 1/153;  
G02F 1/1533; G02F 2001/133317; H04M  
1/185; H04M 1/0252; H04B 1/3888  
USPC ..... D14/250, 251, 253, 240, 217, 496, 440,  
D14/203.3, 203.4, 203.5, 203.8, 341, 318;  
D3/218, 215, 201, 294, 289, 900;  
220/4.02; 248/309.1; 361/679.56;  
379/426, 433.11, 455; 455/575.1,  
455/575.8, 457.1; 190/100; 206/305, 320,  
206/45.2; D21/469; 312/240

See application file for complete search history.

(56) **References Cited**

**U.S. PATENT DOCUMENTS**

1,613,536 A \* 1/1927 Rose ..... 132/315  
D230,376 S \* 2/1974 Andrew ..... D19/91  
4,259,568 A \* 3/1981 Dynesen ..... 235/1 D  
6,772,879 B1 \* 8/2004 Domotor ..... 206/45.23  
7,281,698 B2 \* 10/2007 Patterson, Jr. .... 248/458

7,414,833 B2 \* 8/2008 Kittayapong ..... 361/679.27  
7,735,644 B2 \* 6/2010 Sirichai et al. .... 206/320  
D658,187 S \* 4/2012 Diebel ..... D14/440  
D658,188 S \* 4/2012 Diebel ..... D14/440  
D663,304 S \* 7/2012 Akana et al. .... D14/440  
8,230,992 B2 \* 7/2012 Law et al. .... 206/320

(Continued)

*Primary Examiner* — Cynthia Underwood

(74) *Attorney, Agent, or Firm* — Bill Killough; Barnwell  
Whaley Patterson & Helms

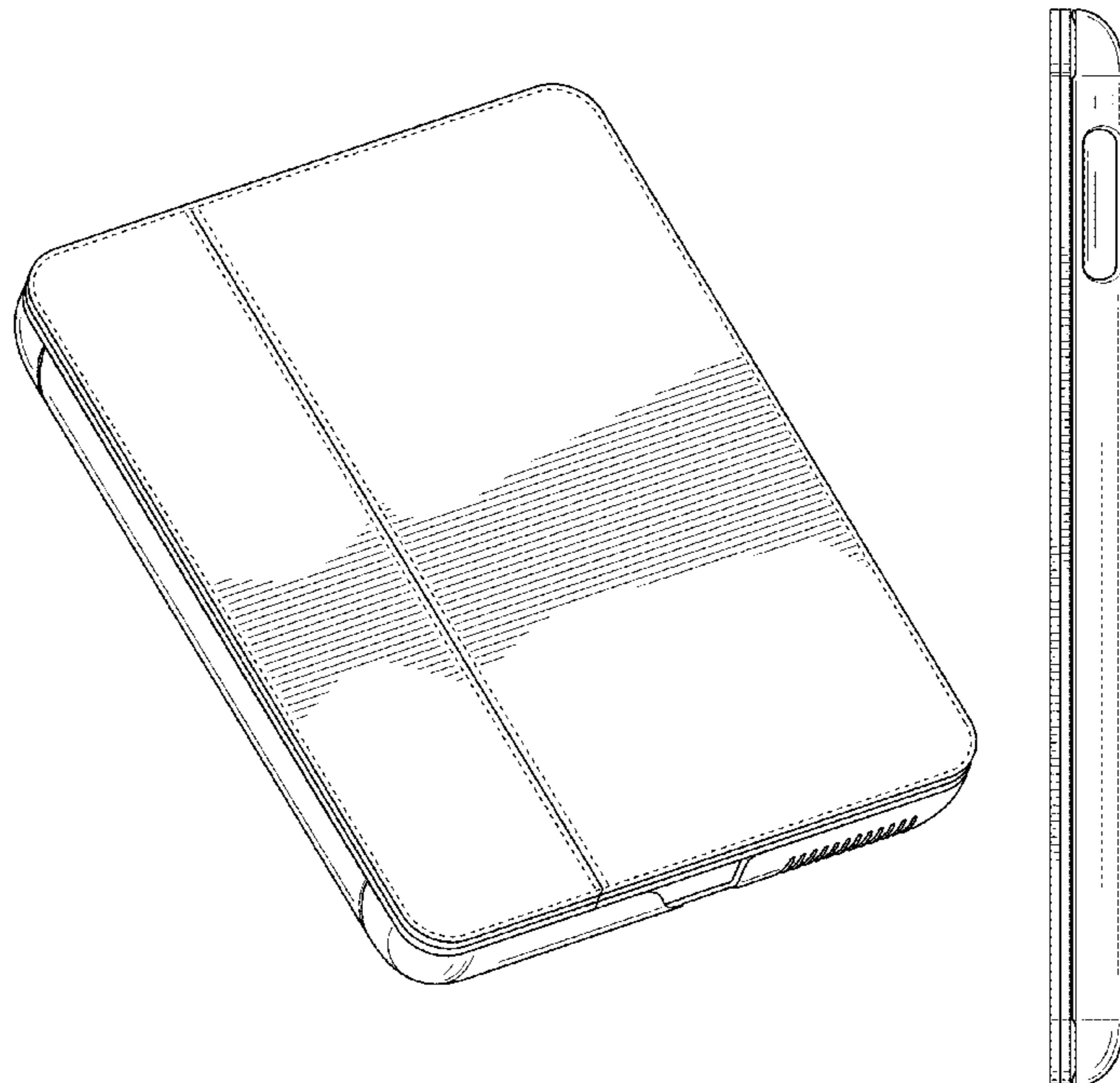
(57) **CLAIM**

The ornamental design for a tablet personal computer flip case, as shown and described.

**DESCRIPTION**

FIG. 1 is a front perspective view of a tablet personal computer flip case showing the new design;  
FIG. 2 is front elevation of the case shown in FIG. 1;  
FIG. 3 is rear view of the case in relation to FIG. 2;  
FIG. 4 is a left side view of the case in relation to FIG. 2;  
FIG. 5 is a right side view of the case in relation to FIG. 2;  
FIG. 6 is a top view of the case in relation to FIG. 2;  
FIG. 7 is a bottom view of the case in relation to FIG. 2;  
FIG. 8 is a front perspective view of the case in an open position;  
FIG. 9 is a front view of the case in an open position;  
FIG. 10 is a back view of the case in an open position;  
FIG. 11 is a left side view of the case in relation to FIG. 9;  
FIG. 12 is a right side view of the case in relation to FIG. 9;  
FIG. 13 is a top view of the case in relation to FIG. 9;  
FIG. 14 is a bottom view of the case in relation to FIG. 9; and,  
FIG. 15 is a view of the case in a propped open position.  
The broken lines represent stitching and forms part of the claim.

**1 Claim, 11 Drawing Sheets**



(56)

## References Cited

## U.S. PATENT DOCUMENTS

- |                |         |                                 |           |                   |         |                  |           |
|----------------|---------|---------------------------------|-----------|-------------------|---------|------------------|-----------|
| 8,245,843 B1 * | 8/2012  | Wu                              | 206/320   | D701,205 S *      | 3/2014  | Akana et al.     | D14/345   |
| 8,312,991 B2 * | 11/2012 | Diebel et al.                   | 206/45.24 | D702,673 S *      | 4/2014  | Murchison et al. | D14/250   |
| D671,948 S *   | 12/2012 | Akana et al.                    | D14/440   | D704,689 S *      | 5/2014  | Chang            | D14/250   |
| D672,353 S *   | 12/2012 | Liu                             | D14/440   | D704,693 S *      | 5/2014  | Kim              | D14/250   |
| D672,781 S *   | 12/2012 | Lu                              | D14/440   | D706,270 S *      | 6/2014  | Akana et al.     | D14/440   |
| D675,625 S *   | 2/2013  | Hasbrook et al.                 | D14/440   | D706,783 S *      | 6/2014  | Almodova         | D14/440   |
| D678,260 S *   | 3/2013  | Bau                             | D14/250   | D707,229 S *      | 6/2014  | Almodova         | D14/440   |
| D679,279 S *   | 4/2013  | Yang et al.                     | D14/440   | 8,757,375 B2 *    | 6/2014  | Huang            | 206/320   |
| D679,715 S *   | 4/2013  | Akana et al.                    | D14/440   | D708,838 S *      | 7/2014  | Lee              | D3/201    |
| 8,424,830 B2 * | 4/2013  | Yang et al.                     | 248/459   | 8,763,795 B1 *    | 7/2014  | Oten et al.      | 206/45.23 |
| D681,641 S *   | 5/2013  | Van Den Nieuwenhuizen<br>et al. | D14/440   | 8,766,921 B2 *    | 7/2014  | Ballagas et al.  | 345/168   |
| D682,836 S *   | 5/2013  | Akana et al.                    | D14/440   | 8,773,353 B2 *    | 7/2014  | Wei              | 345/156   |
| D682,838 S *   | 5/2013  | Akana et al.                    | D14/440   | 8,783,458 B2 *    | 7/2014  | Gallagher et al. | 206/320   |
| D683,141 S *   | 5/2013  | Symons                          | D6/310    | D710,859 S *      | 8/2014  | Mecchella et al. | D14/440   |
| D687,438 S *   | 8/2013  | Lu                              | D14/440   | 8,797,132 B2 *    | 8/2014  | Childs et al.    | 335/219   |
| D690,305 S *   | 9/2013  | Wen                             | D14/440   | 2003/0034263 A1 * | 2/2003  | D'Hoste          | 206/320   |
| D690,702 S *   | 10/2013 | Chung                           | D14/440   | 2008/0302687 A1 * | 12/2008 | Sirichai et al.  | 206/320   |
| D691,142 S *   | 10/2013 | Diebel                          | D14/440   | 2009/0159763 A1 * | 6/2009  | Kim              | 248/174   |
| D692,434 S *   | 10/2013 | Kim                             | D14/440   | 2011/0266194 A1 * | 11/2011 | Bau              | 206/736   |
| D693,823 S *   | 11/2013 | Chen et al.                     | D14/440   | 2011/0290687 A1 * | 12/2011 | Han              | 206/320   |
| D695,296 S *   | 12/2013 | Hsu                             | D14/440   | 2012/0211377 A1 * | 8/2012  | Sajid            | 206/216   |
| D696,253 S *   | 12/2013 | Akana et al.                    | D14/345   | 2012/0211613 A1 * | 8/2012  | Yang et al.      | 248/174   |
| D696,256 S *   | 12/2013 | Piedra et al.                   | D14/440   | 2012/0305413 A1 * | 12/2012 | Chung            | 206/45.23 |
| D696,669 S *   | 12/2013 | Akana et al.                    | D14/440   | 2012/0308981 A1 * | 12/2012 | Libin et al.     | 434/362   |
| 8,640,864 B2 * | 2/2014  | Chen et al.                     | 206/45.2  | 2013/0015088 A1 * | 1/2013  | Wu               | 206/320   |
| 8,644,893 B2 * | 2/2014  | Liang                           | 455/575.1 | 2013/0020216 A1 * | 1/2013  | Chiou            | 206/320   |
| 8,657,112 B2 * | 2/2014  | Igarashi                        | 206/320   | 2013/0140203 A1 * | 6/2013  | Chiang           | 206/320   |
|                |         |                                 |           | 2013/0213838 A1 * | 8/2013  | Tsai et al.      | 206/320   |
|                |         |                                 |           | 2013/0214661 A1 * | 8/2013  | McBroom          | 312/325   |
|                |         |                                 |           | 2013/0241381 A1 * | 9/2013  | Hynecek et al.   | 312/240   |
|                |         |                                 |           | 2013/0264459 A1 * | 10/2013 | McCosh et al.    | 248/688   |

\* cited by examiner

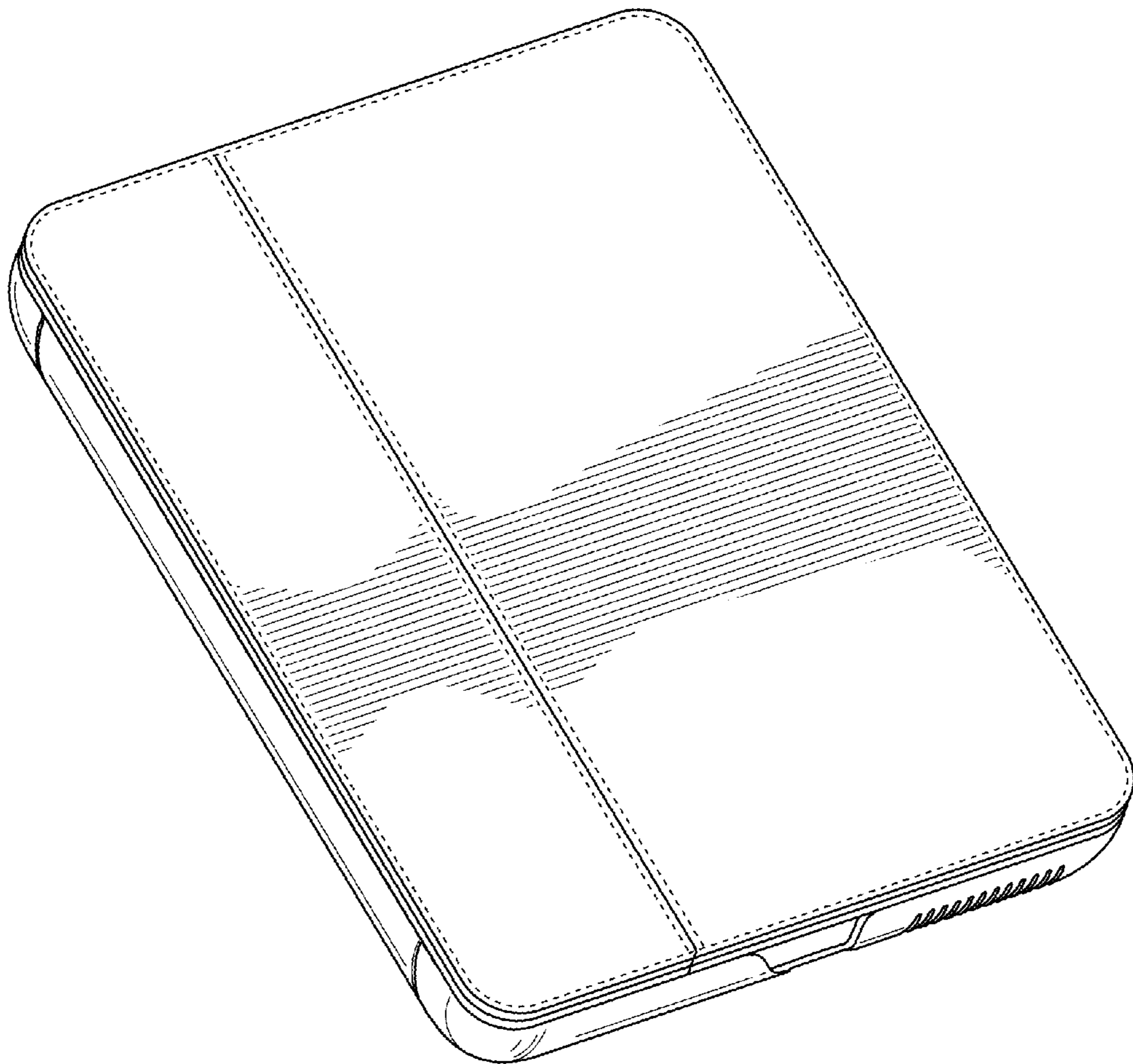


FIG. 1



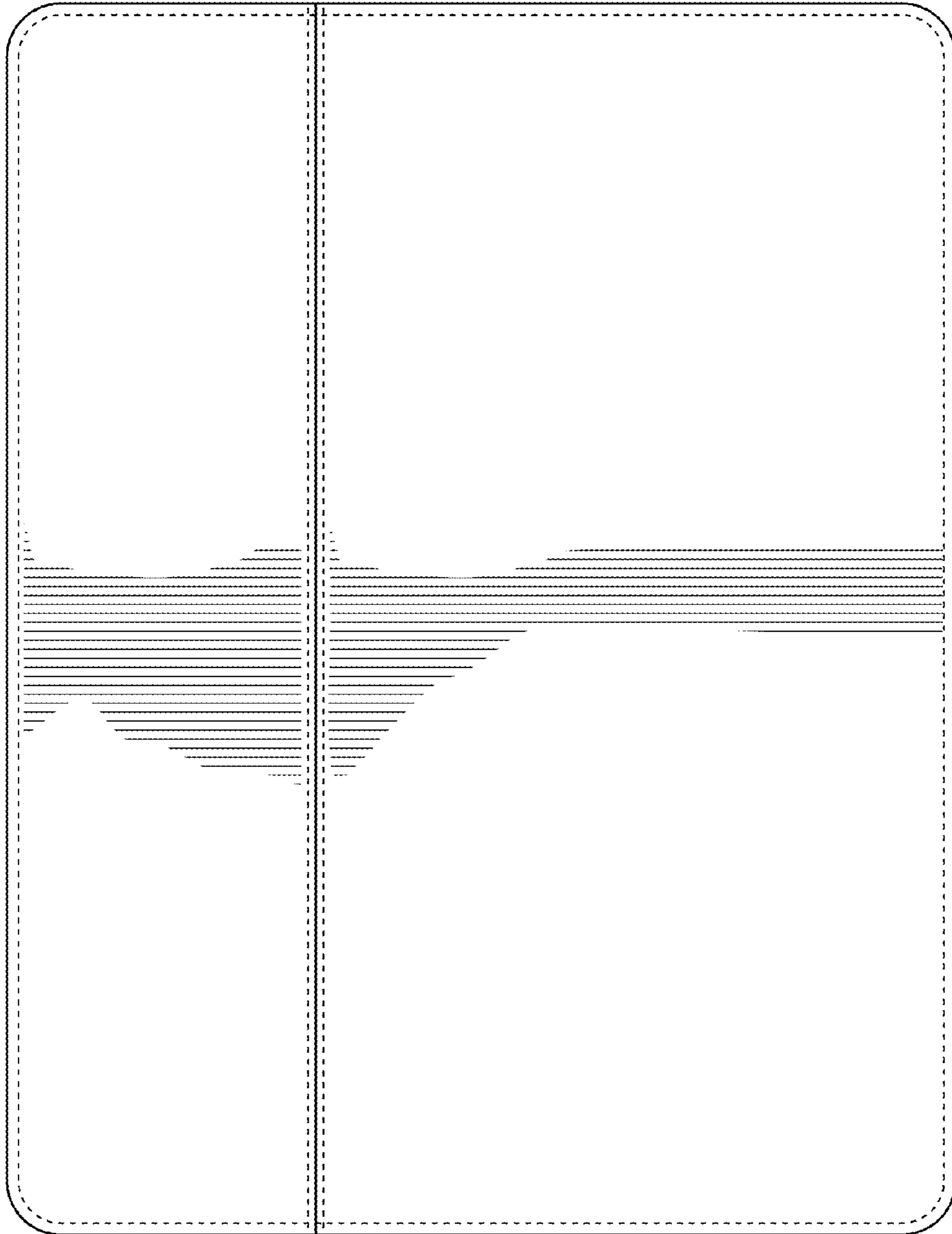


FIG. 2

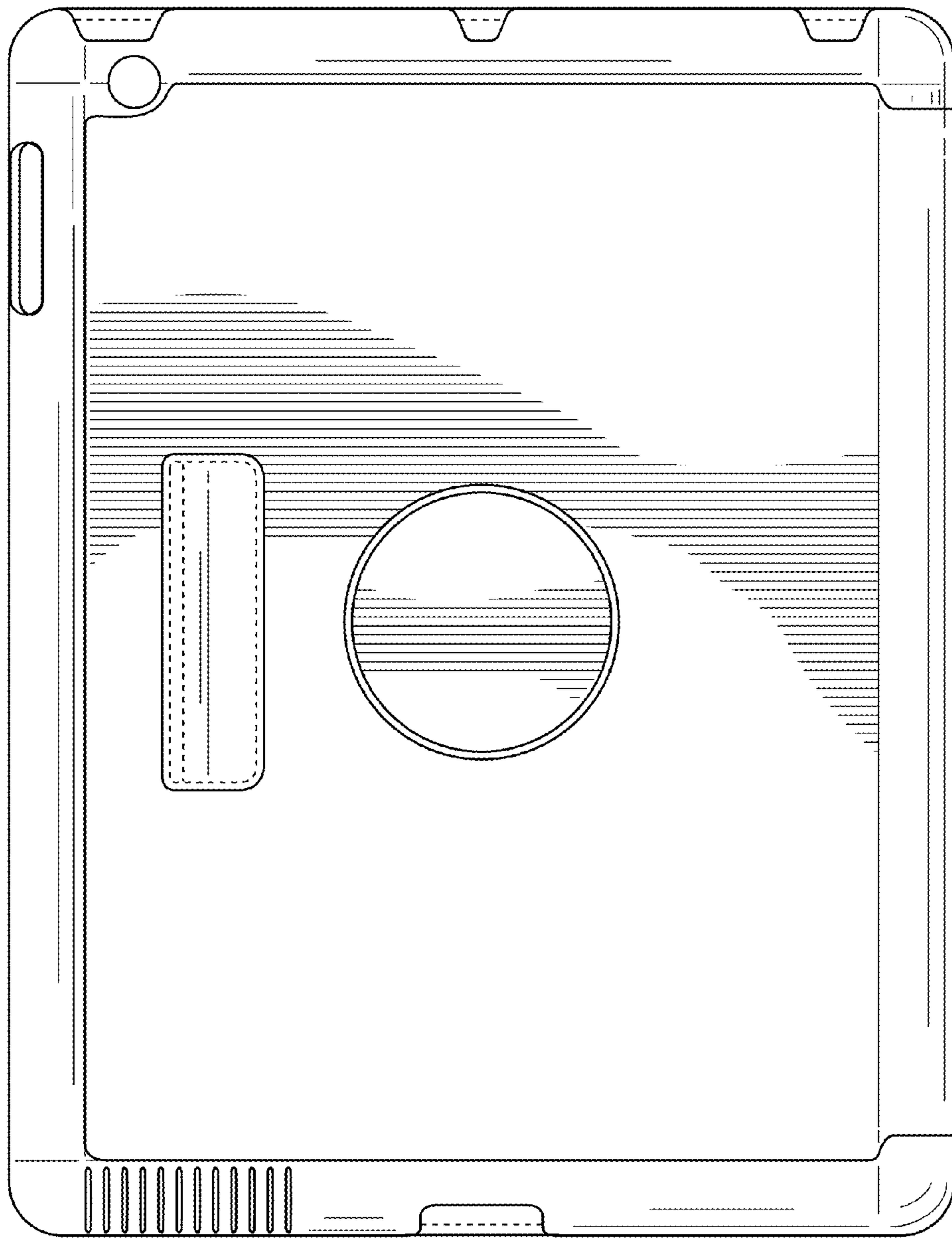


FIG. 3

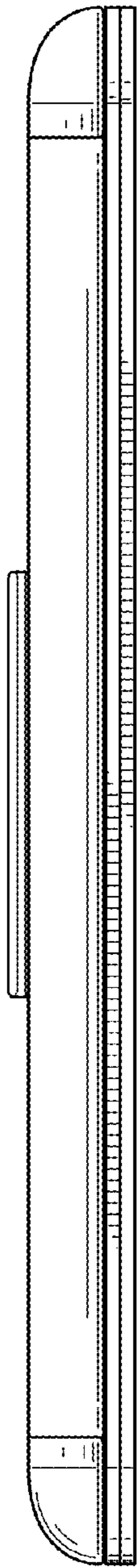


FIG. 4

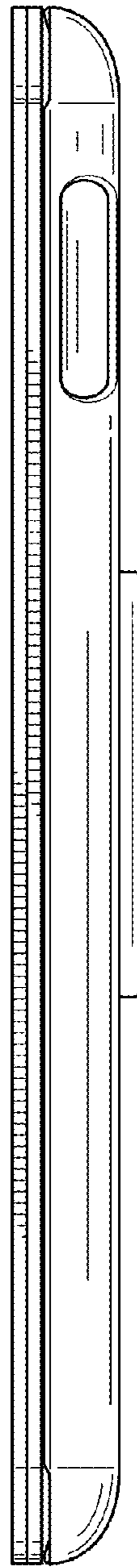


FIG. 5

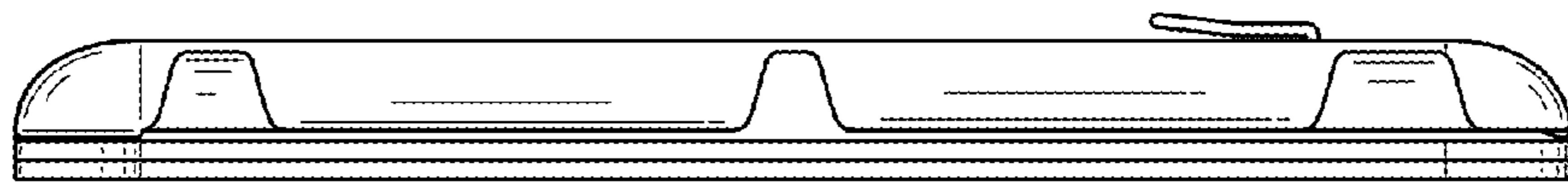


FIG. 6

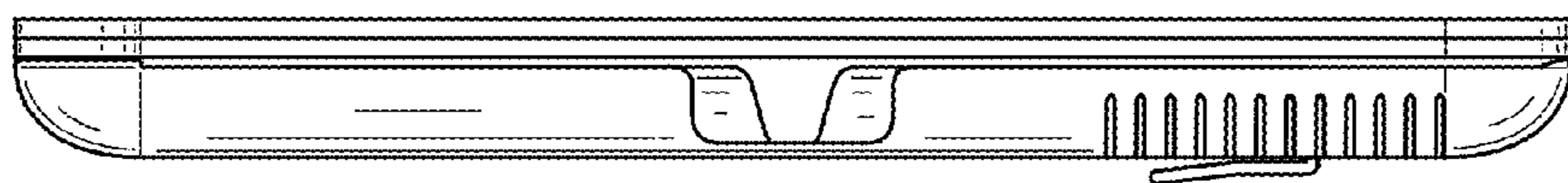
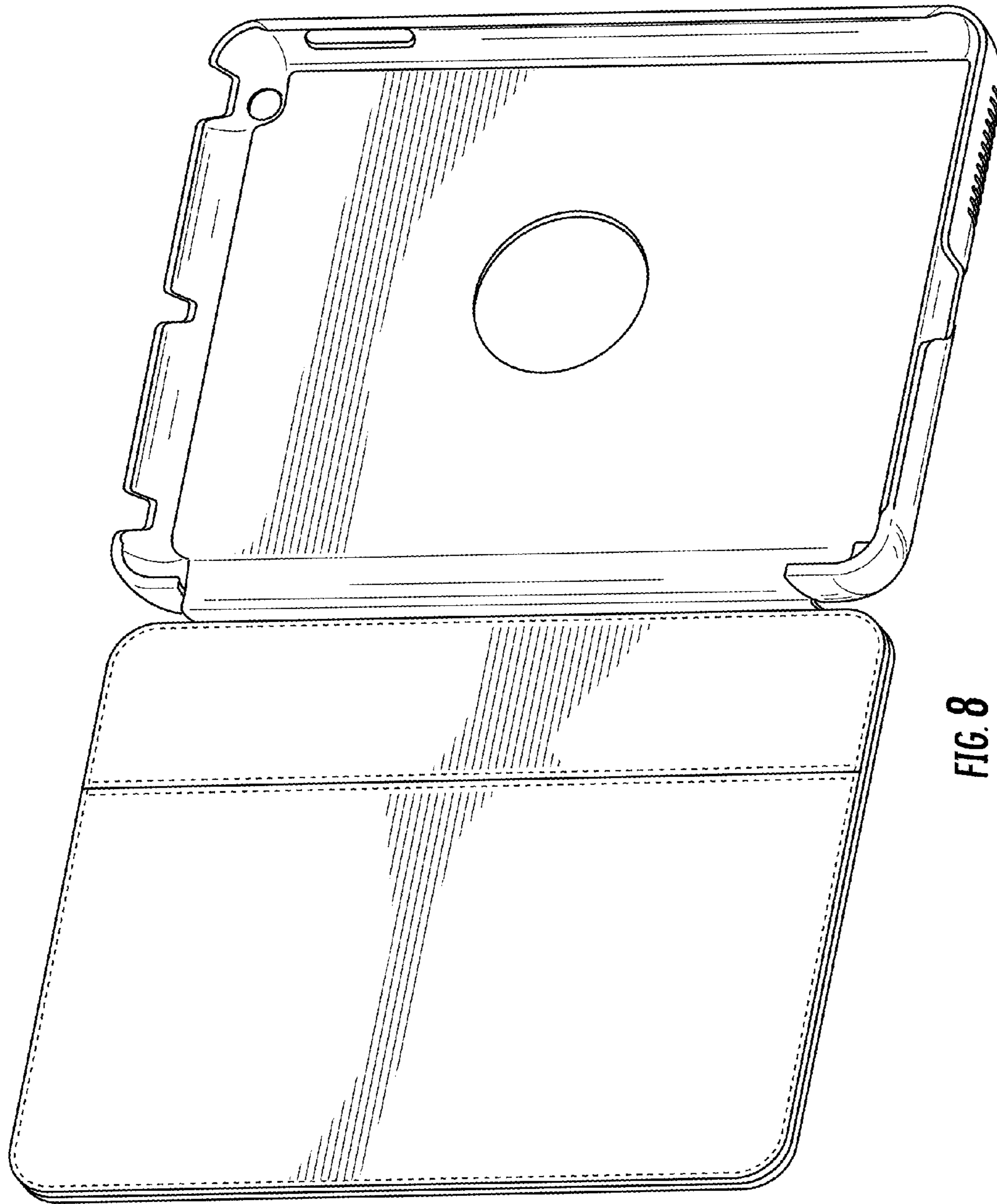


FIG. 7





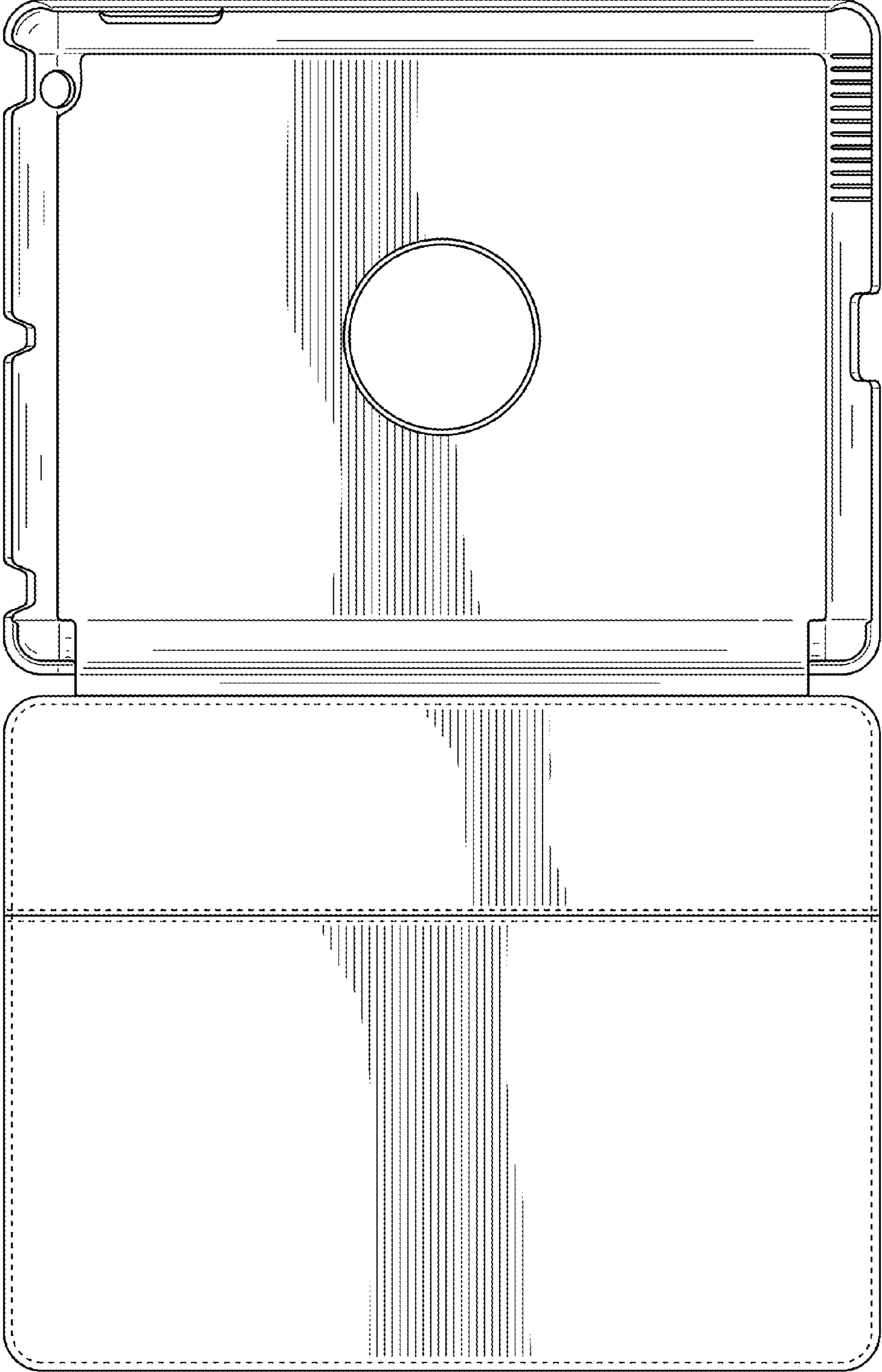


FIG. 9

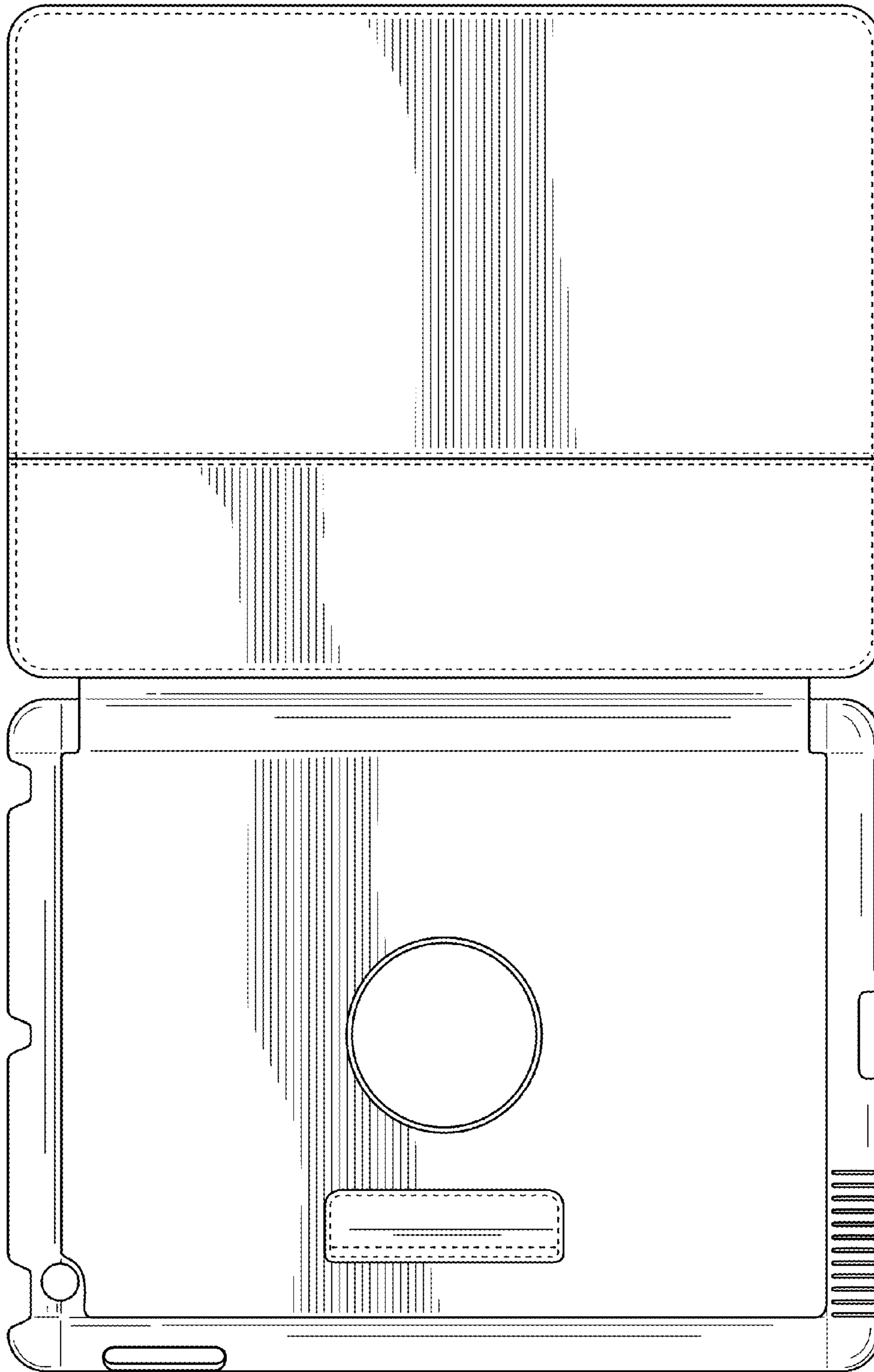


FIG. 10

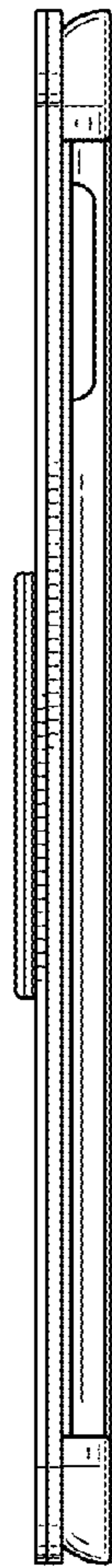


FIG. 11

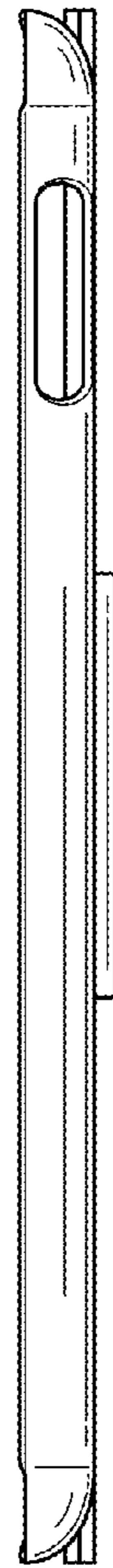


FIG. 12

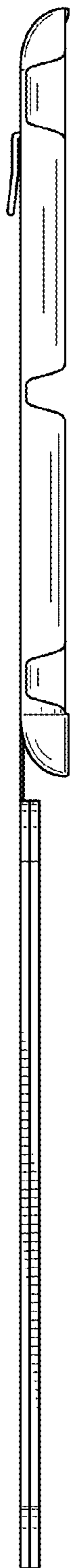


FIG. 13

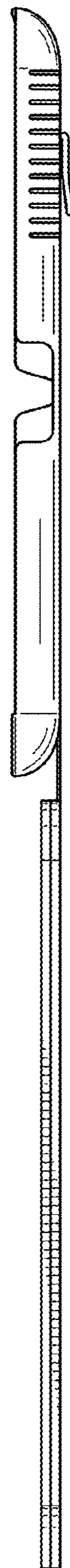


FIG. 14

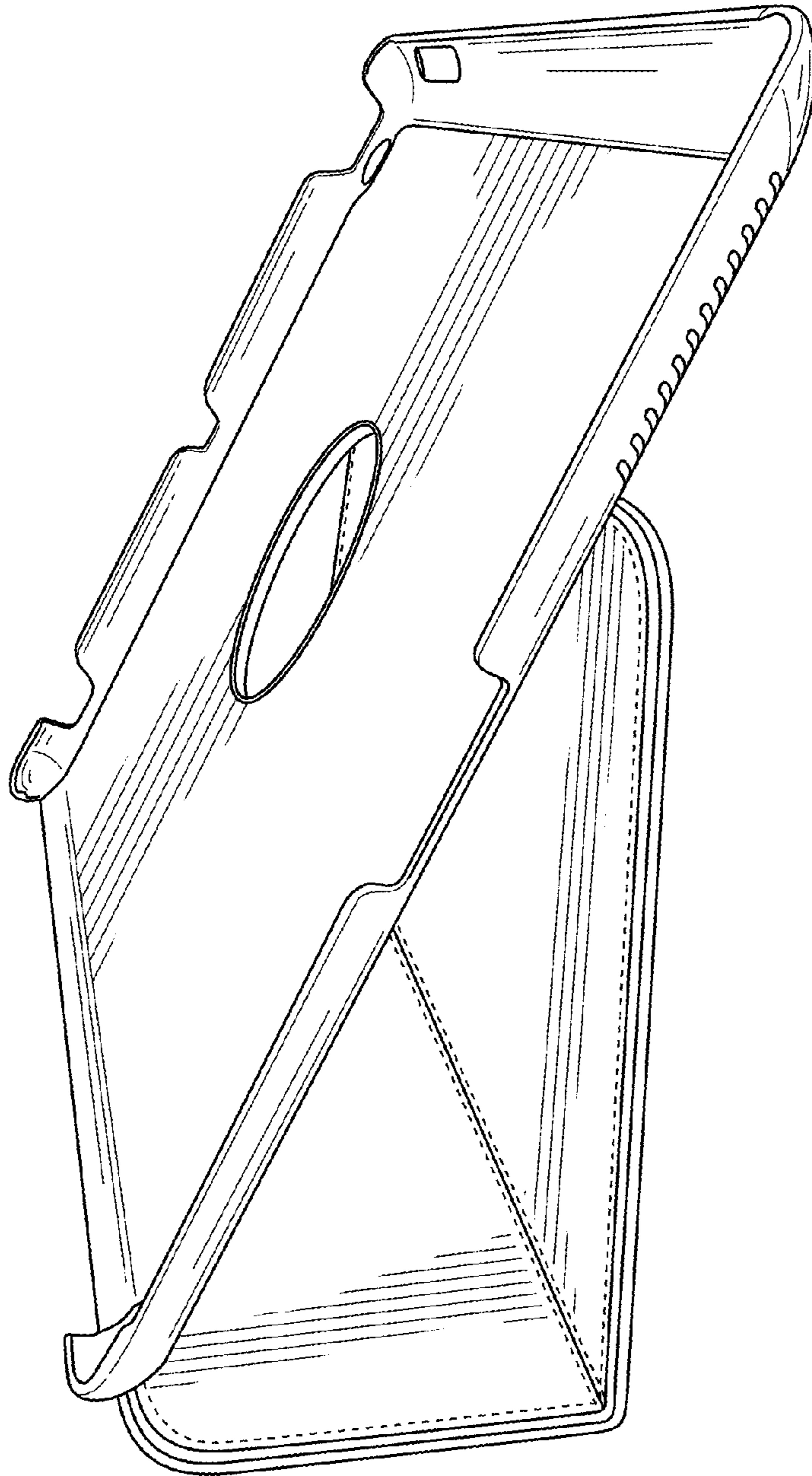


FIG. 15