



US00D721078S

(12) **United States Design Patent**
Bellinghausen et al.

(10) **Patent No.:** **US D721,078 S**
(45) **Date of Patent:** **** *Jan. 13, 2015**

(54) **CONTROLLER**

(71) Applicant: **Valve Corporation**, Bellevue, WA (US)

(72) Inventors: **Jeffrey Bellinghausen**, Bellevue, WA (US); **Claire Michelle Gottschalk**, Bellevue, WA (US); **Eric Hope**, Duvall, WA (US); **Jeffrey Keyzer**, Redmond, WA (US); **Amy Narae Kim**, New York, NY (US)

(73) Assignee: **Valve Corporation**, Bellevue, WA (US)

(*) Notice: This patent is subject to a terminal disclaimer.

(**) Term: **14 Years**

(21) Appl. No.: **29/461,994**

(22) Filed: **Jul. 30, 2013**

(51) **LOC (10) Cl.** **14-03**

(52) **U.S. Cl.**
USPC **D14/401; D21/333**

(58) **Field of Classification Search**
CPC A63F 13/02; A63F 9/24; A63F 13/12;
A63F 9/00; A63F 11/00; A63F 71/00; G06F
3/02; G06F 3/033; G09G 5/00
USPC D14/399-401, 412-418; D21/148 B;
463/1, 29-39, 46, 47; 345/156-161,
345/905

See application file for complete search history.

(56) **References Cited**

U.S. PATENT DOCUMENTS

| | | | | | | |
|-----------|----|---|---------|-----------------|-------|-----------|
| D420,660 | S | * | 2/2000 | Chen | | D14/401 |
| D478,590 | S | * | 8/2003 | Hussaini et al. | | D14/401 |
| 7,235,012 | B2 | * | 6/2007 | DiDato | | 463/38 |
| D585,931 | S | * | 2/2009 | Palmer | | D18/7 |
| 7,762,553 | B2 | * | 7/2010 | Harris | | 273/148 B |
| D620,939 | S | * | 8/2010 | Suetake et al. | | D14/401 |
| D638,016 | S | * | 5/2011 | Ikeda | | D14/401 |
| 8,205,220 | B2 | * | 6/2012 | Kim et al. | | 720/648 |
| D685,434 | S | * | 7/2013 | Ali et al. | | D21/333 |
| D694,830 | S | * | 12/2013 | Crowley et al. | | D21/333 |
| 8,628,085 | B2 | * | 1/2014 | Sternberg | | 273/148 B |
| D700,182 | S | * | 2/2014 | Kidakarn | | D14/401 |

* cited by examiner

Primary Examiner — Prabhakar Deshmukh

(74) *Attorney, Agent, or Firm* — Barcelo, Harrison & Walker, LLP

(57) **CLAIM**

The ornamental design for a controller, as shown and described.

DESCRIPTION

FIG. 1 is a perspective view of a controller showing our new design.

FIG. 2 is a front elevation thereof.

FIG. 3 is a rear elevation thereof.

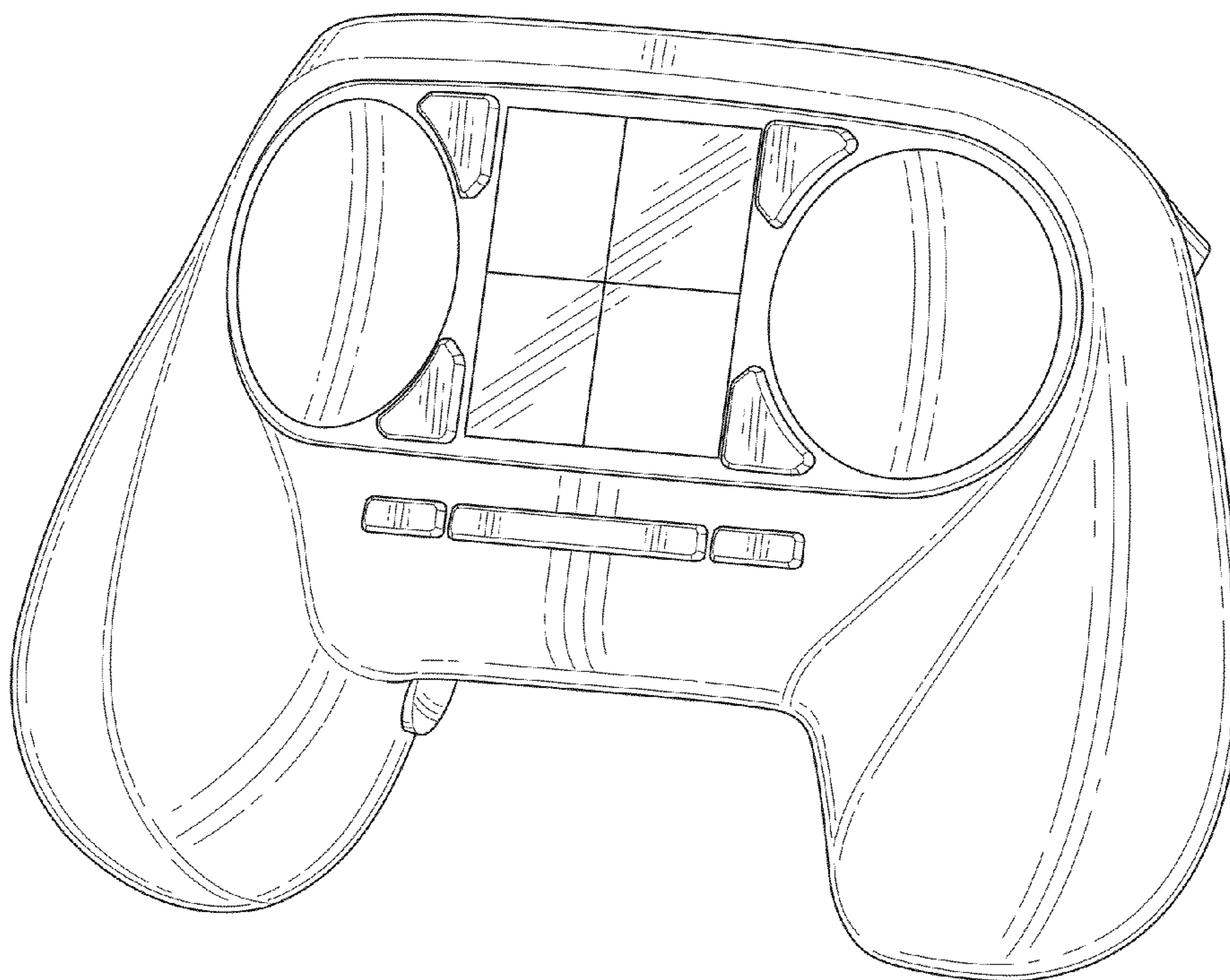
FIG. 4 is a left side elevation thereof.

FIG. 5 is a right side elevation thereof.

FIG. 6 is a top plan view thereof; and,

FIG. 7 is a bottom plan view thereof.

1 Claim, 7 Drawing Sheets



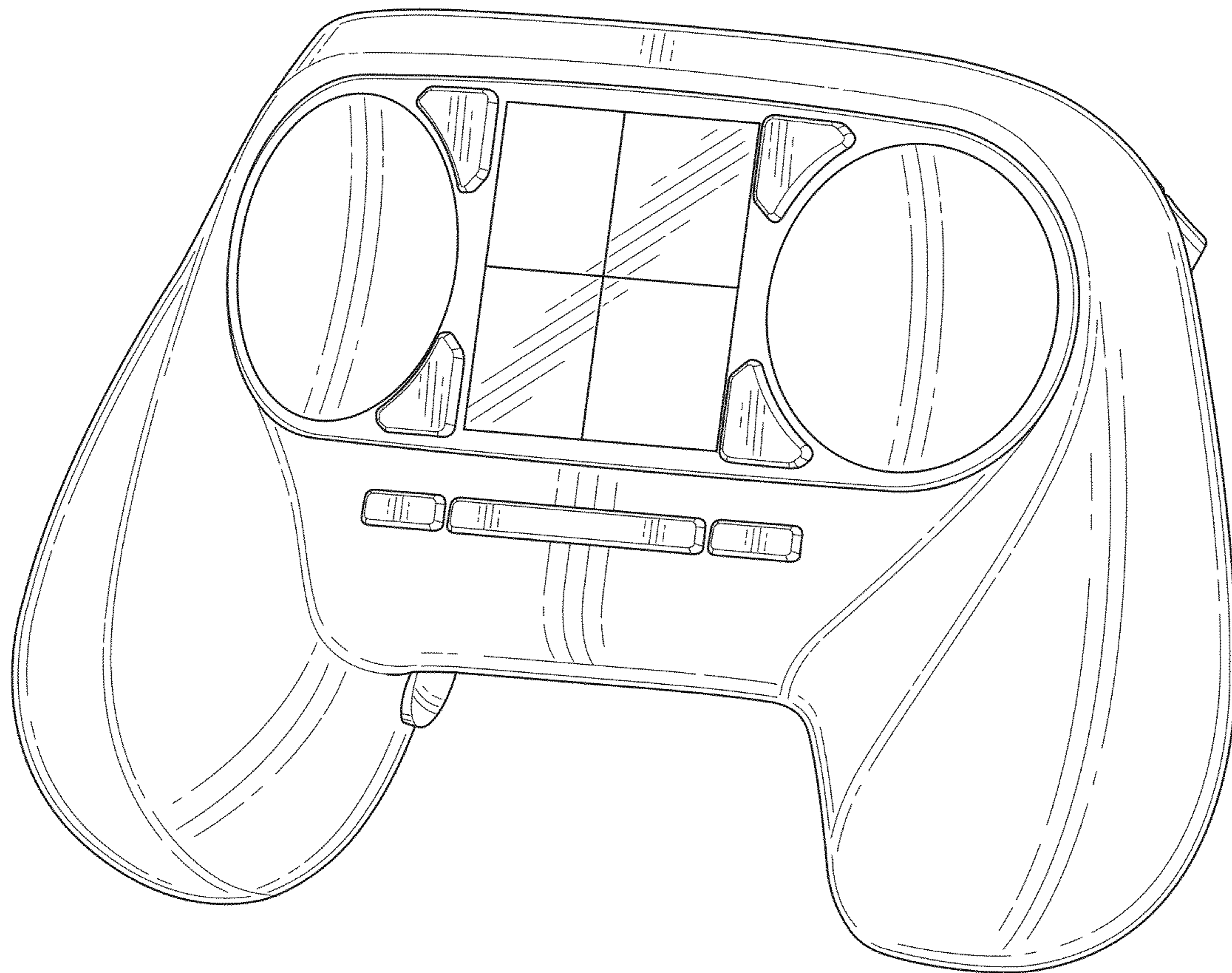


FIG. 1

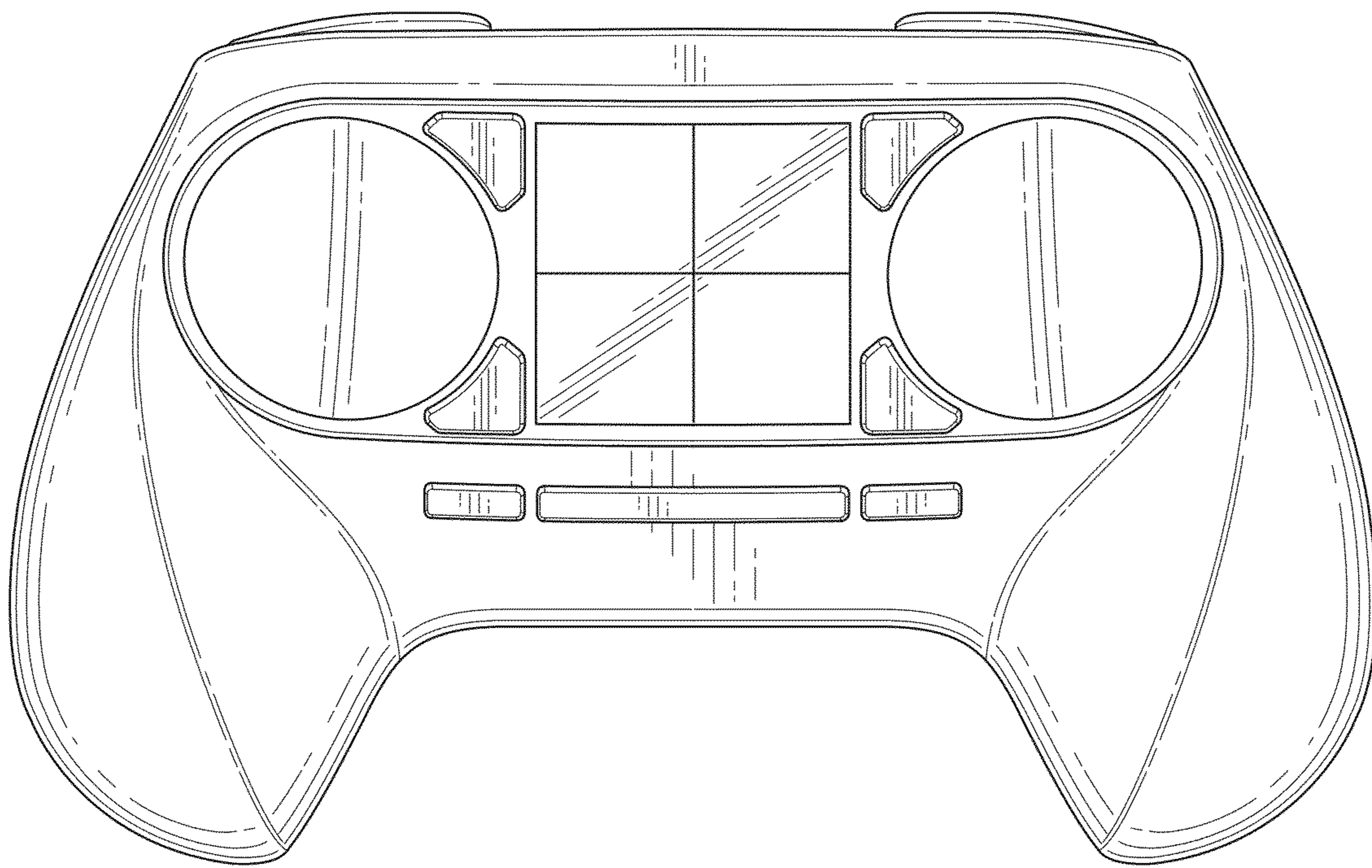


FIG. 2

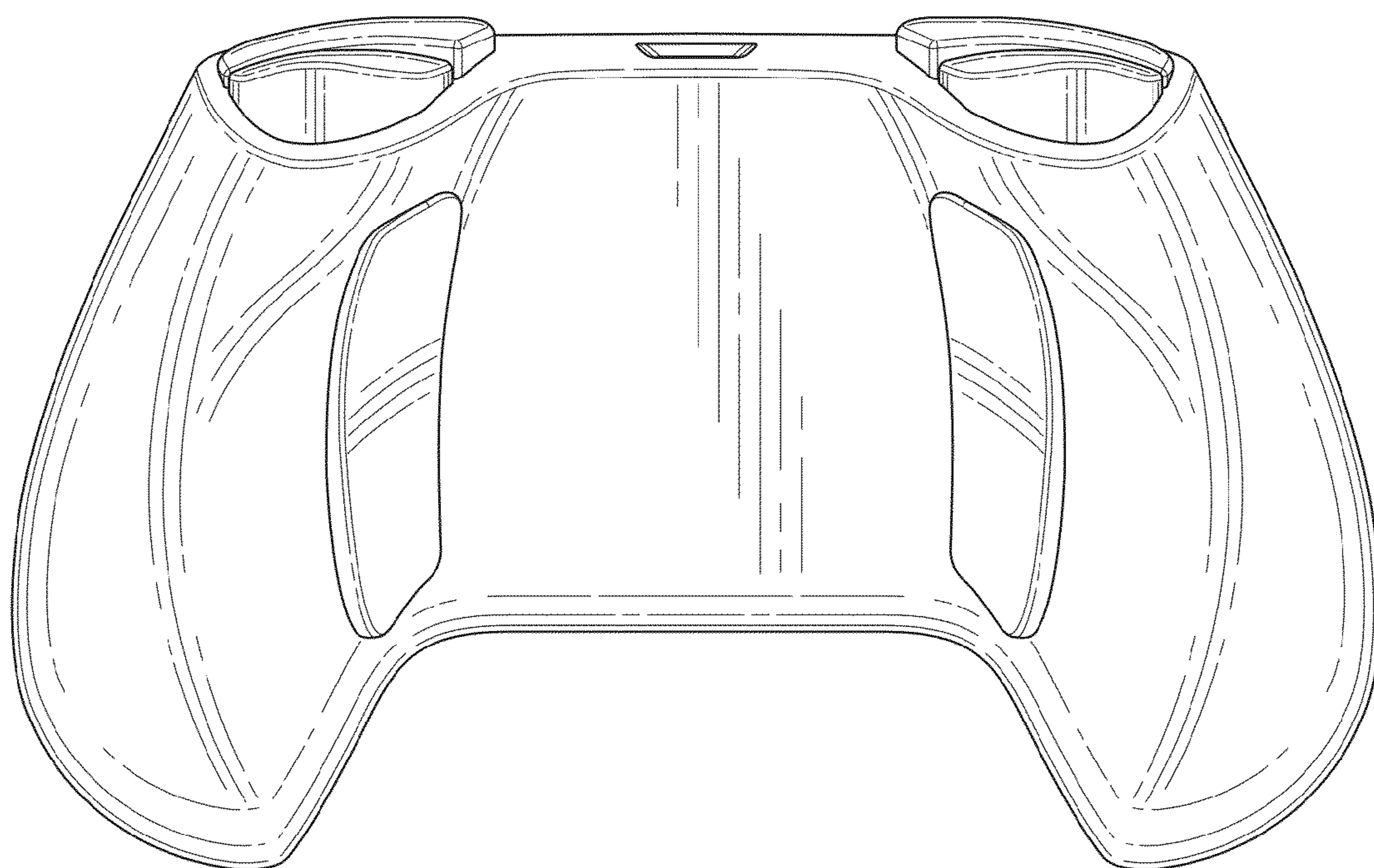


FIG. 3

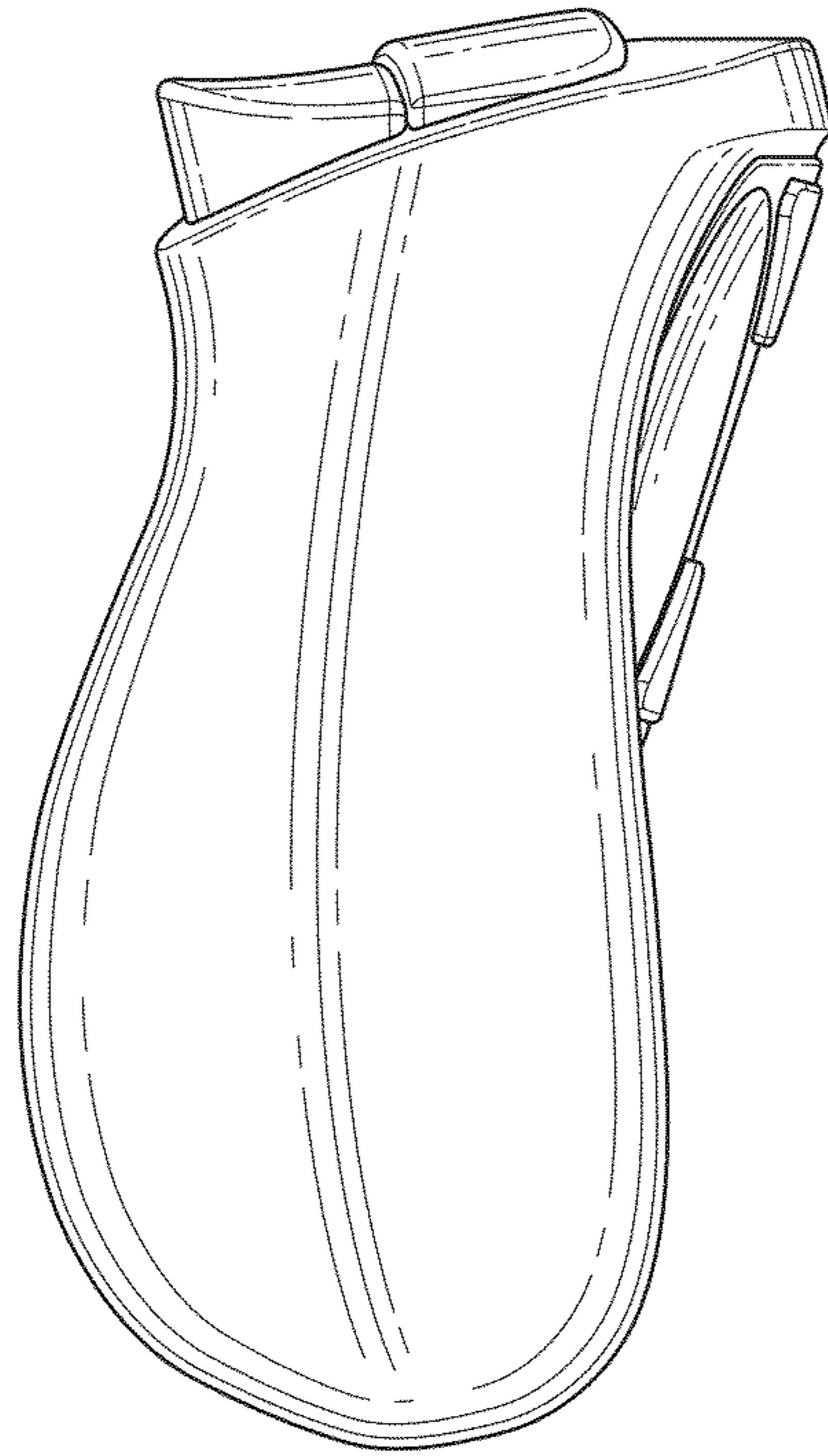


FIG. 4

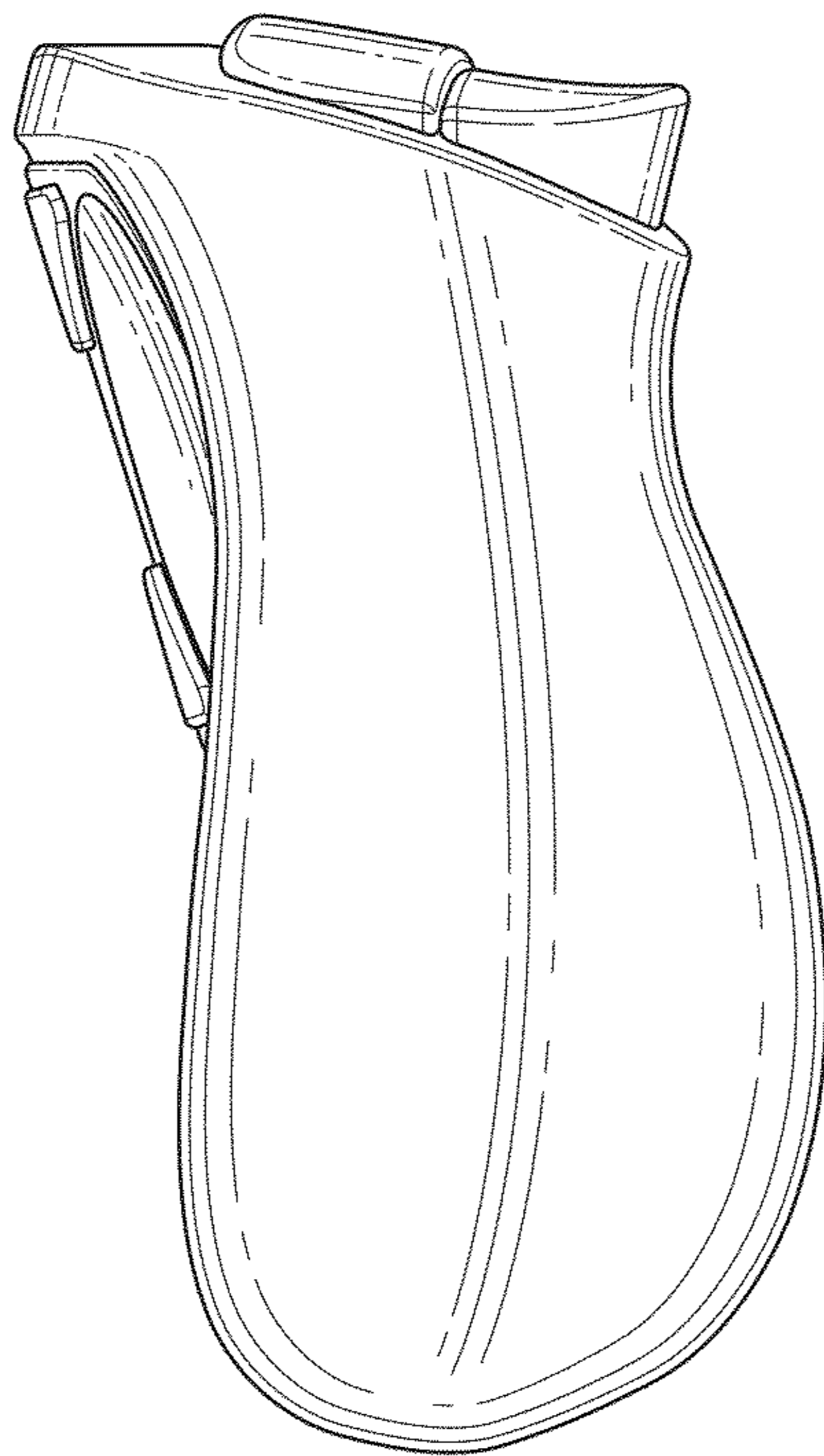


FIG. 5

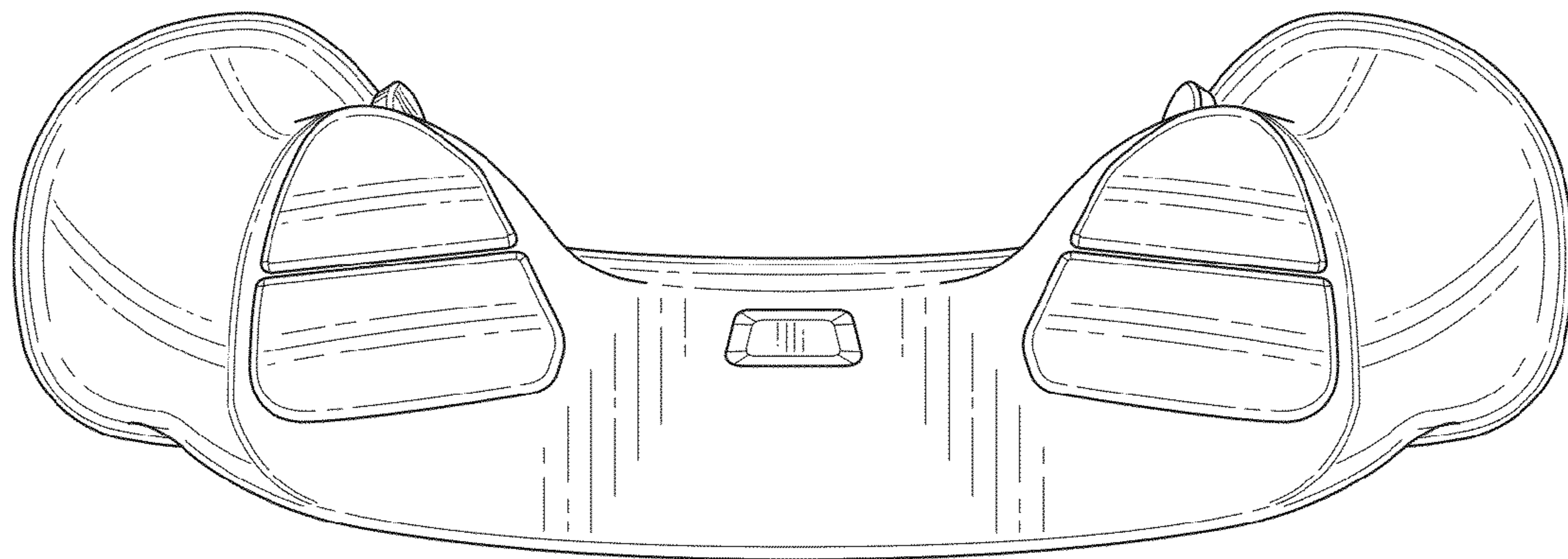


FIG. 6

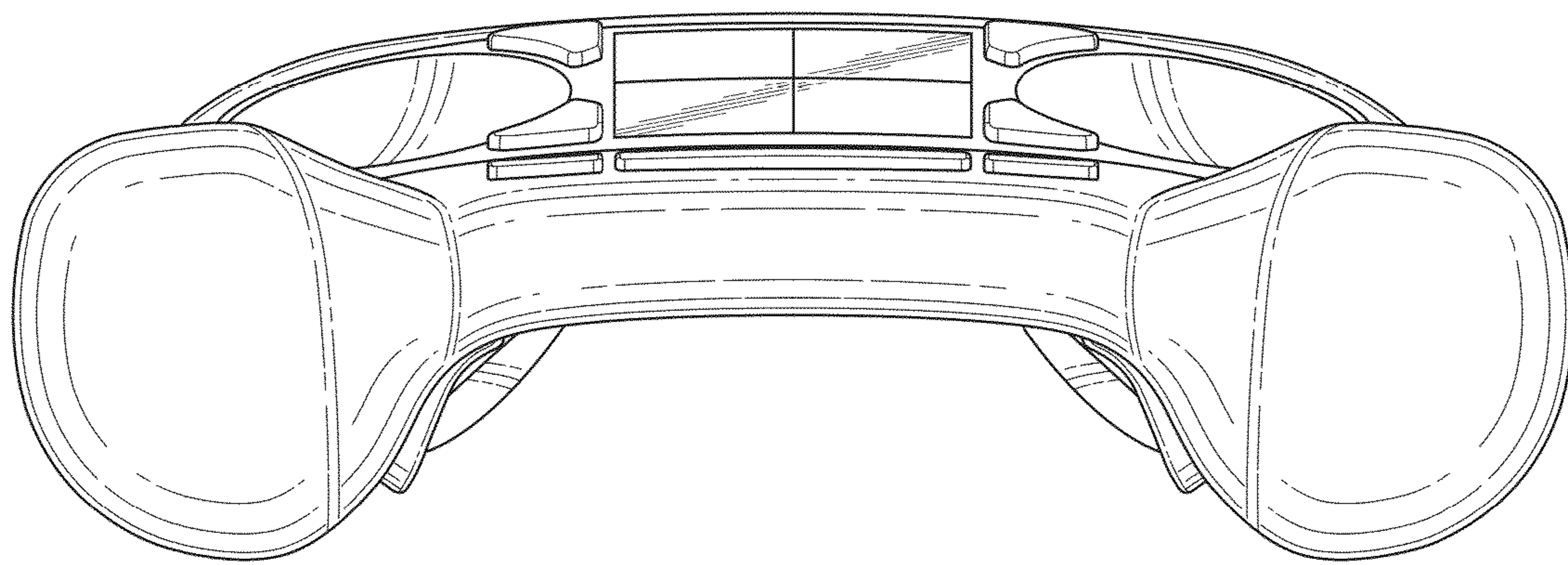


FIG. 7