



US00D721075S

(12) **United States Design Patent**  
**Toda et al.**

(10) **Patent No.:** **US D721,075 S**  
(45) **Date of Patent:** **\*\* Jan. 13, 2015**

(54) **PORTABLE INFORMATION MANAGEMENT  
TERMINAL WITH TOUCH PEN**

(71) Applicant: **King Jim Co., Ltd.**, Chiyoda-ku, Tokyo  
(JP)

(72) Inventors: **Naotoshi Toda**, Tokyo (JP); **Ken Kijiya**,  
Tokyo (JP); **Makiko Mochizuki**, Tokyo  
(JP)

(73) Assignee: **King Jim Co., Ltd.**, Tokyo (JP)

(\*\*) Term: **14 Years**

(21) Appl. No.: **29/447,808**

(22) Filed: **Mar. 6, 2013**

(30) **Foreign Application Priority Data**

Sep. 6, 2012 (JP) ..... 2012-021486

(51) **LOC (10) Cl.** ..... **14-02**

(52) **U.S. Cl.**  
USPC ..... **D14/342**

(58) **Field of Classification Search**

CPC ..... G06F 4/04; G06F 3/0488; G06F 3/0354

USPC ..... D14/341-347, 137, 138 R, 138 AA,

D14/138 C, 138 G, 496, 203.1, 203.3, 203.4,

D14/203.7, 129, 130, 147, 218, 247, 248,

D14/388, 389, 315-318, 420, 426;

D10/49-50, 65, 104.1; D18/6-7;

D21/324, 329, 330, 332; 455/556.1,

455/556.2, 566, 575.1, 90.3; 379/433.04,

379/433.01, 433.06, 916; 345/173, 901,

345/905; 361/679.26, 679.27, 679.3,

361/679.55, 679.56; D6/308, 310; D19/26,

D19/59, 60

See application file for complete search history.

(56) **References Cited**

**U.S. PATENT DOCUMENTS**

D361,552 S \* 8/1995 Iino ..... D14/341

D374,407 S \* 10/1996 Hirschbuehler ..... D10/97

D386,092 S \* 11/1997 Steinhagen et al. .... D10/24

(Continued)

*Primary Examiner* — Barbara Fox

*Assistant Examiner* — Dana Weiland

(74) *Attorney, Agent, or Firm* — Holtz, Holtz, Goodman &  
Chick PC

(57) **CLAIM**

The ornamental design for a portable information manage-  
ment terminal with touch pen, as shown and described.

**DESCRIPTION**

FIG. 1 is a top, front, left side perspective view of a portable  
information management terminal with touch pen showing  
our new design;

FIG. 2 is a front elevational view thereof;

FIG. 3 is a rear elevational view thereof;

FIG. 4 is a left side elevational view thereof;

FIG. 5 is a right side elevational view thereof;

FIG. 6 is a top plan view thereof;

FIG. 7 is a bottom plan view thereof;

FIG. 8 is a front view thereof, showing the display thereof in  
use;

FIG. 9 is a sectional view along line 9-9 in FIG. 8, with the  
internal parts omitted;

FIG. 10 is an exploded rear elevational view of the design of  
FIG. 1, shown with the touch-pen removed from the informa-  
tion management terminal for ease of illustration;

FIG. 11 is a top, front, right side perspective view of the touch  
pen, shown separately for ease of illustration;

FIG. 12 is a front elevational view thereof;

FIG. 13 is a left side elevational view thereof, the right side  
elevational view being a mirror image thereof;

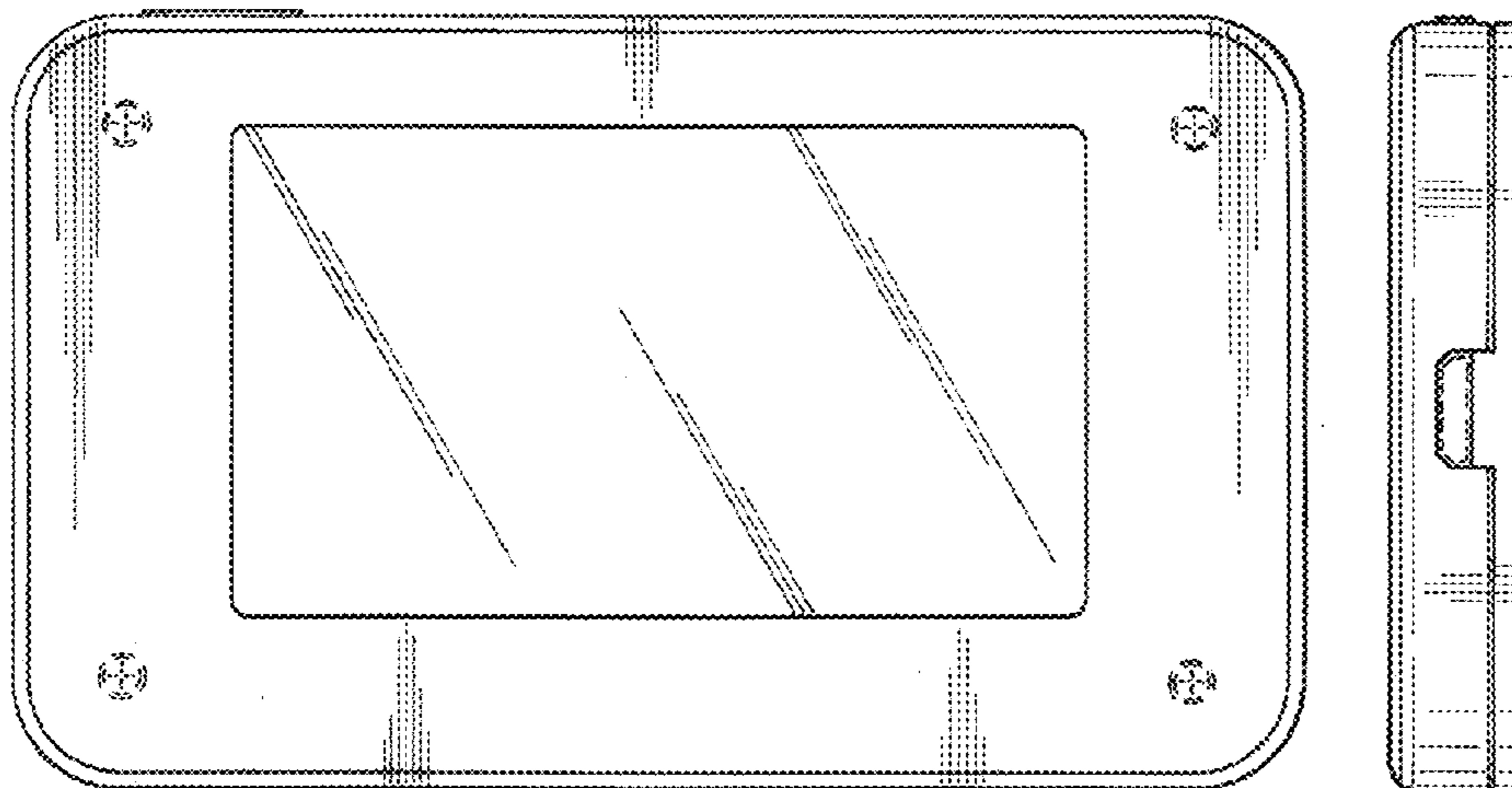
FIG. 14 is a rear elevational view thereof;

FIG. 15 is a top plan view thereof; and,

FIG. 16 is a bottom plan view thereof.

The portions shown in broken lines are to designate portions  
which form no part of the claimed design. The indicia shown  
in FIG. 8 is shown by way of example and forms no part of the  
claimed design.

**1 Claim, 5 Drawing Sheets**



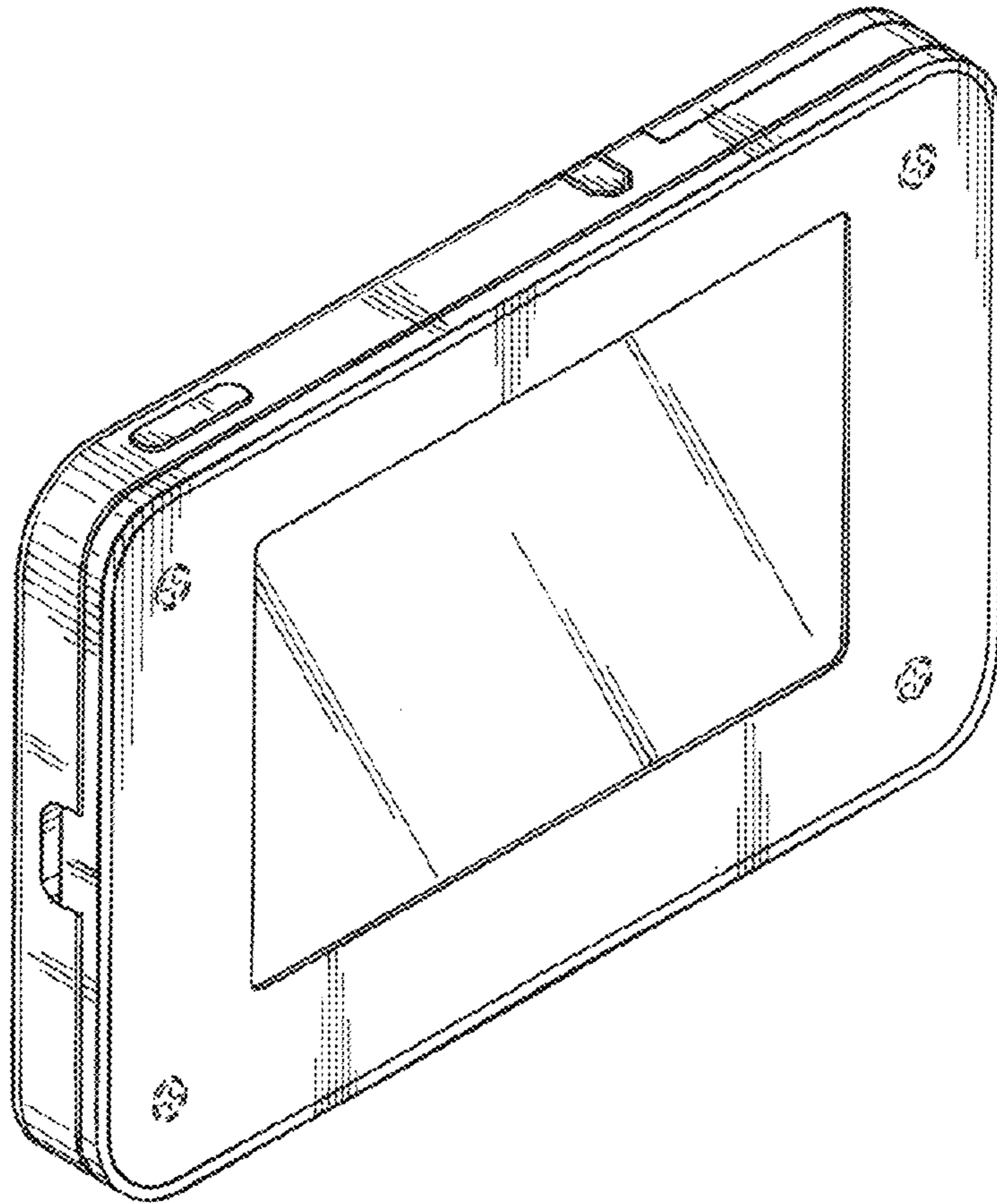
(56)

**References Cited**

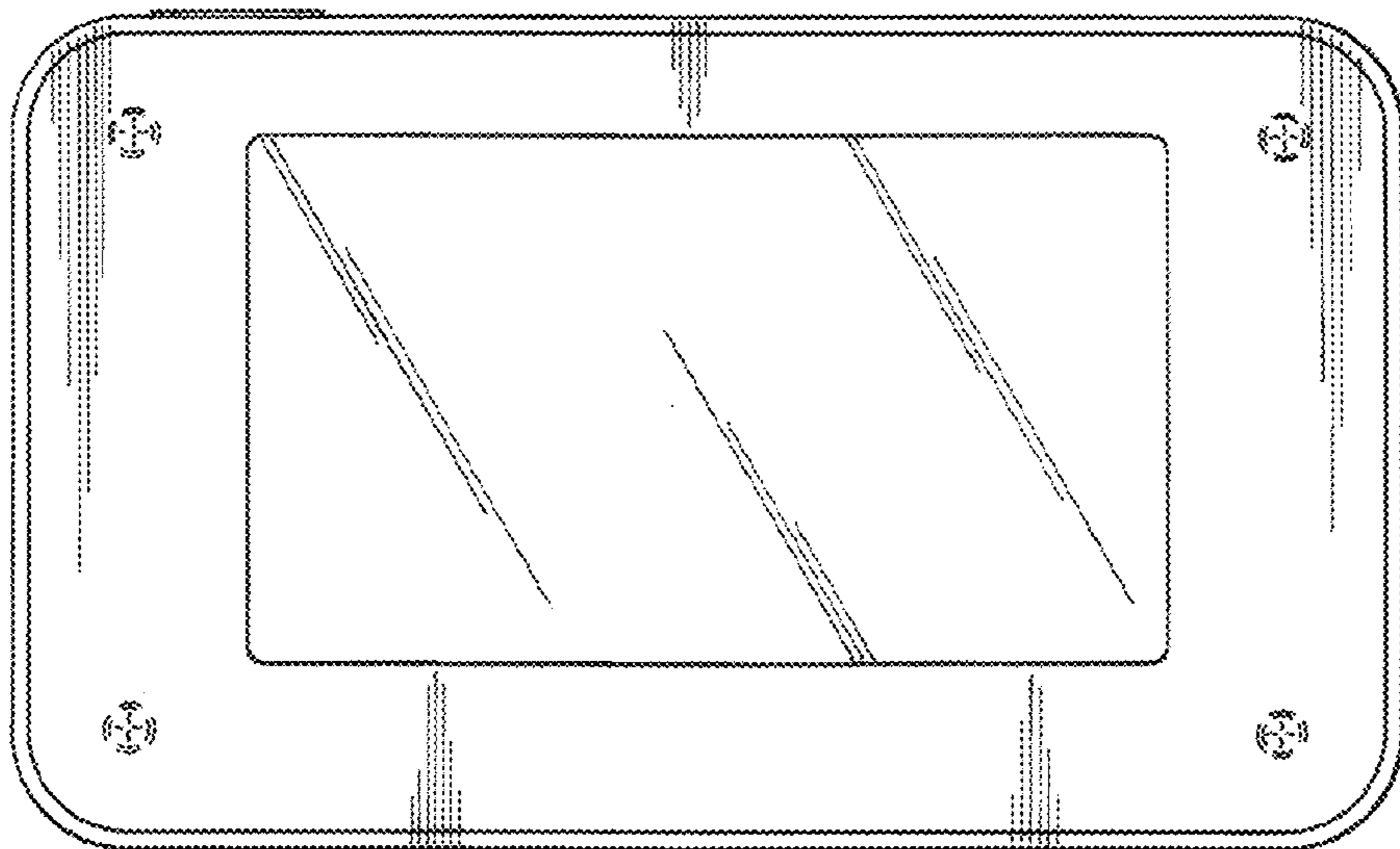
U.S. PATENT DOCUMENTS

D532,791 S	*	11/2006	Kim	.....	D14/203.7	D636,769 S	*	4/2011	Wood et al.	.....	D14/341
D569,629 S	*	5/2008	Yu et al.	.....	D6/308	D639,805 S	*	6/2011	Song et al.	.....	D14/341
D582,917 S	*	12/2008	Wada	.....	D14/371	D641,018 S	*	7/2011	Lee et al.	.....	D14/341
D585,399 S	*	1/2009	Hwang	.....	D14/130	D654,074 S	*	2/2012	Wood et al.	.....	D14/341
D594,453 S	*	6/2009	Miyawaki	.....	D14/341	D668,651 S	*	10/2012	Kim et al.	.....	D14/341
D601,353 S	*	10/2009	Sadler et al.	.....	D6/308	D671,514 S	*	11/2012	Kim et al.	.....	D14/138 G
D602,487 S	*	10/2009	Maskatia	.....	D14/341	D675,203 S	*	1/2013	Yang	.....	D14/341
D622,514 S	*	8/2010	Park et al.	.....	D6/308	D677,255 S	*	3/2013	McManigal et al.	.....	D14/341
D628,913 S	*	12/2010	Cheng	.....	D10/65	D684,969 S	*	6/2013	Smith et al.	.....	D14/341
D629,216 S	*	12/2010	Stoddard	.....	D6/308	D687,820 S	*	8/2013	Kim	.....	D14/341
D636,391 S	*	4/2011	Shen et al.	.....	D14/341	D687,824 S	*	8/2013	Chun et al.	.....	D14/341
						D687,825 S	*	8/2013	Lee et al.	.....	D14/341
						D692,877 S	*	11/2013	Zuege	.....	D14/341
						D695,410 S	*	12/2013	Becker	.....	D24/186

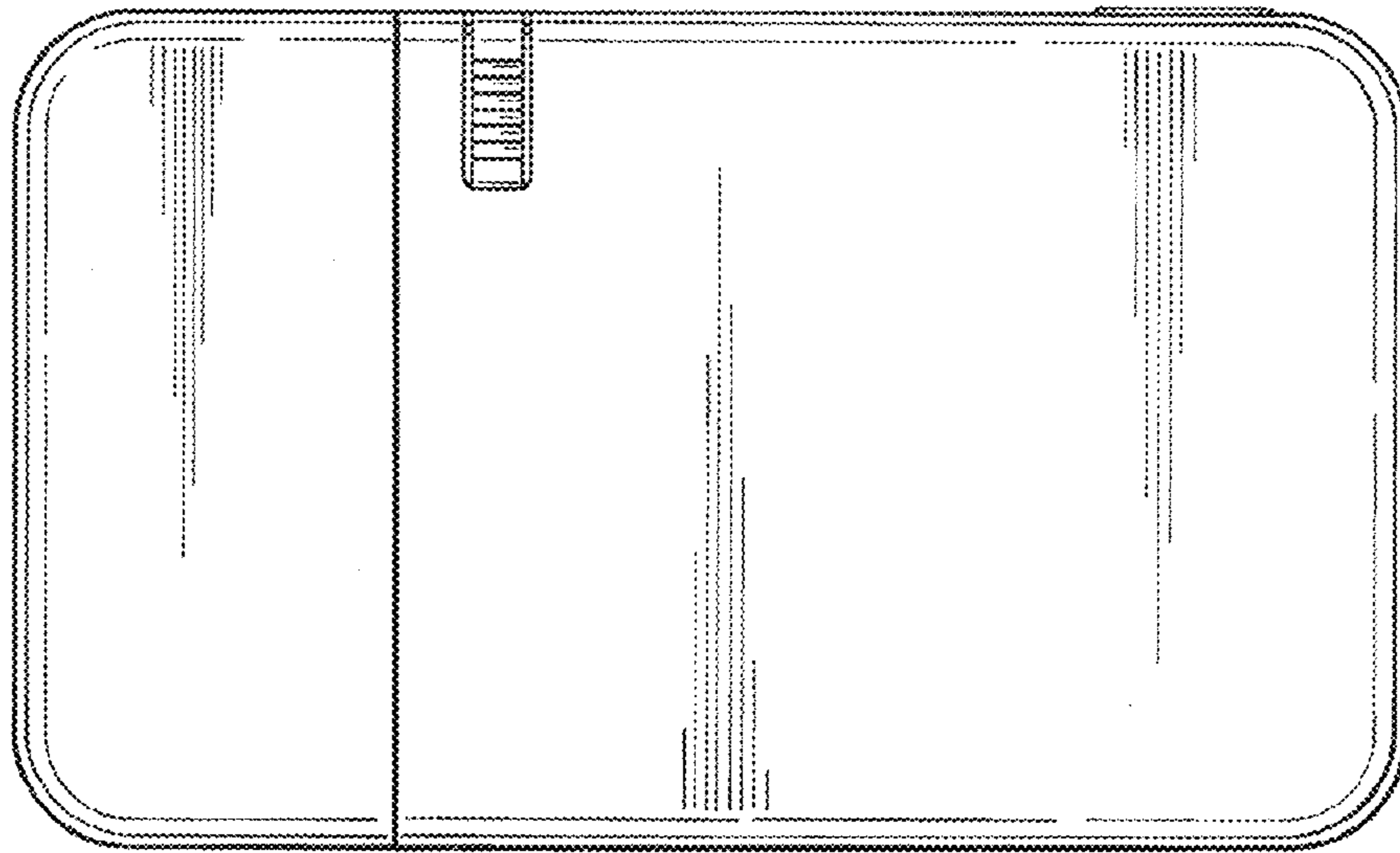
\* cited by examiner



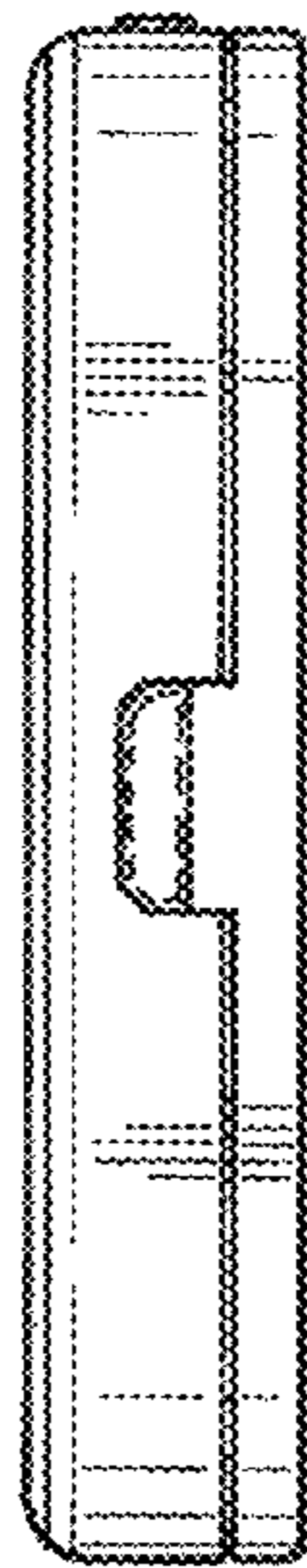
*Fig. 1*



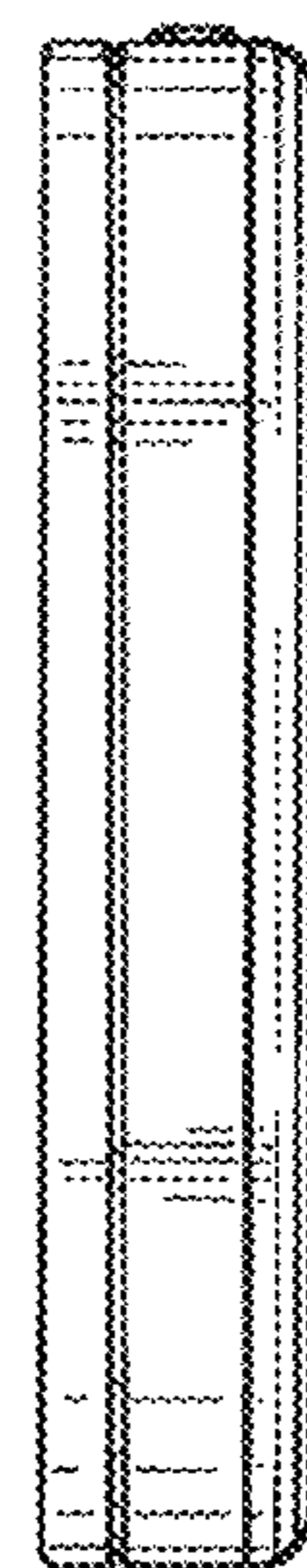
*Fig. 2*



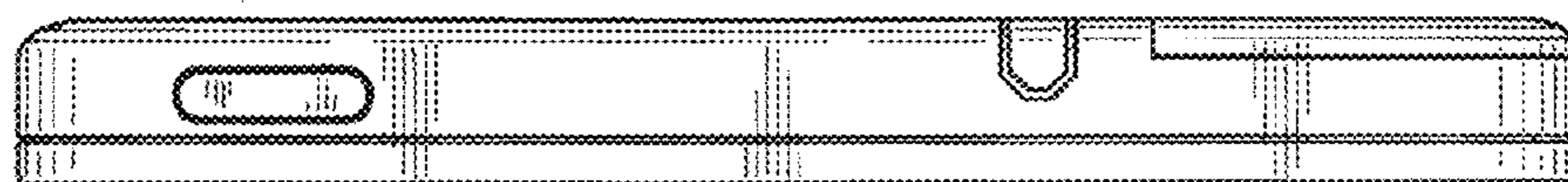
*Fig. 3*



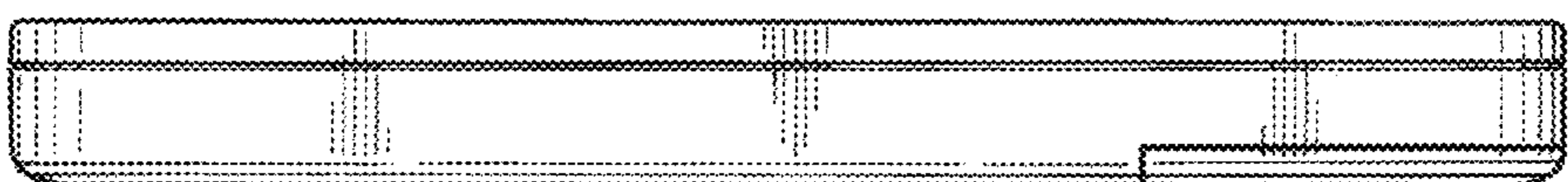
*Fig. 4*



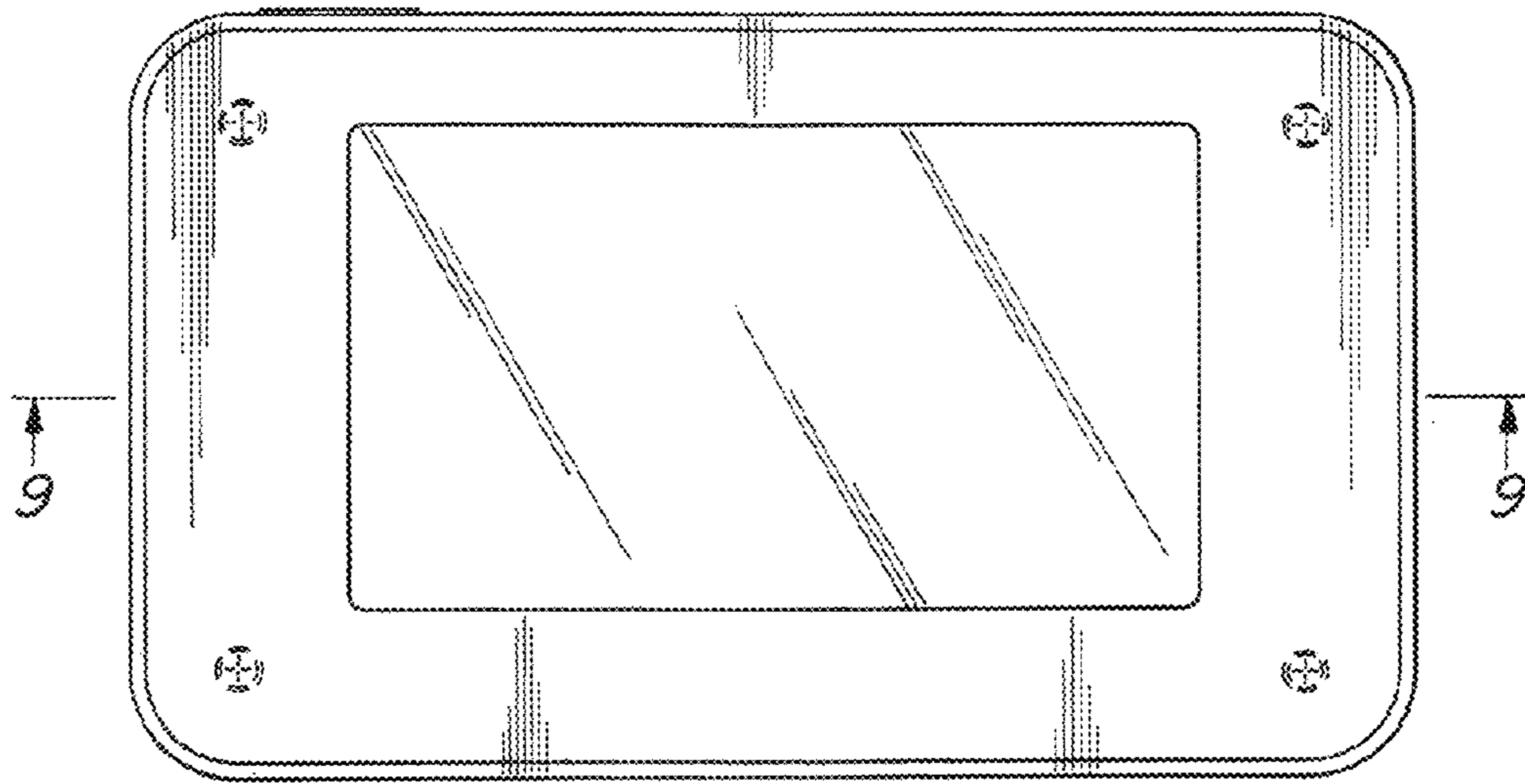
*Fig. 5*



*Fig. 6*



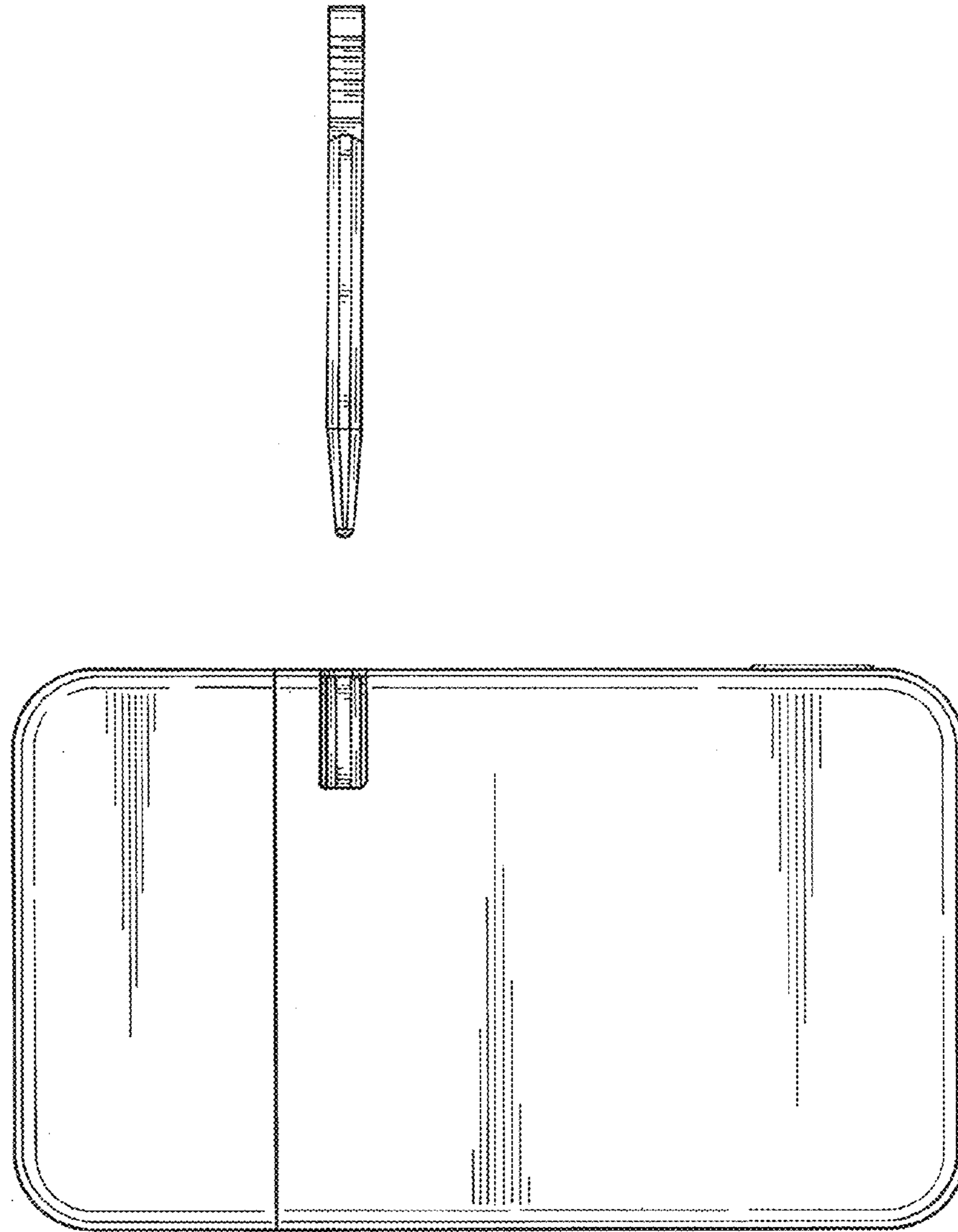
*Fig. 7*



*Fig. 8*



*Fig. 9*



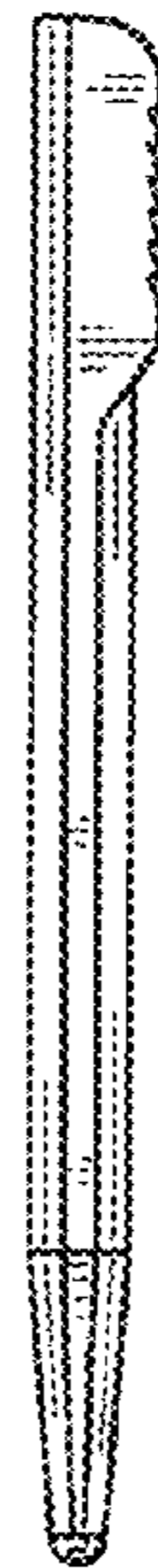
*Fig. 10*



*Fig. 11*



*Fig. 12*



*Fig. 13*



*Fig. 14*



*Fig. 15*



*Fig. 16*