



US00D721074S

(12) **United States Design Patent**  
**Harris**

(10) **Patent No.:** **US D721,074 S**  
(45) **Date of Patent:** **\*\* Jan. 13, 2015**

(54) **SUPPORT COMPONENT**

(71) Applicant: **Victor Harris**, Dubai (AE)

(72) Inventor: **Victor Harris**, Dubai (AE)

(73) Assignee: **Victor Harris**, Dubai (AE)

(\*\*) Term: **14 Years**

(21) Appl. No.: **29/475,035**

(22) Filed: **Nov. 27, 2013**

(51) **LOC (10) Cl.** ..... **14-03**

(52) **U.S. Cl.**  
USPC ..... **D14/253**

(58) **Field of Classification Search**  
USPC ..... D14/208, 209.1, 217, 238.1, 243,  
D14/250–253, 434, 440, 447, 496,  
D14/203.3–203.7, 248, 240, 341–347;  
D3/201, 215, 218, 226, 269, 273, 301,  
D3/303; D19/90; D6/553; 455/575.1,  
455/575.8; 206/305, 320; 320/108, 115;  
429/96; 220/4.02; 150/165;  
361/679.56, 679.3, 679.25, 816;  
379/426, 446, 455, 433.1; 248/309.1,  
248/371, 176.3, 668; 224/411; D12/223,  
D12/407

See application file for complete search history.

(56) **References Cited**

**U.S. PATENT DOCUMENTS**

D499,092 S \* 11/2004 Fan ..... D14/253  
D529,905 S \* 10/2006 Richter ..... D14/253  
D530,713 S \* 10/2006 Richter ..... D14/253  
7,158,092 B2 \* 1/2007 Shen ..... 343/878  
D590,184 S \* 4/2009 Barabas et al. .... D6/466

D606,065 S \* 12/2009 Rihu ..... D14/253  
D614,613 S \* 4/2010 Kim et al. .... D14/253  
D626,541 S \* 11/2010 Kim et al. .... D14/253  
D626,953 S \* 11/2010 Wilson ..... D14/252  
D670,284 S \* 11/2012 Choi ..... D14/253  
D671,110 S \* 11/2012 Choi ..... D14/253  
D685,379 S \* 7/2013 Richter ..... D14/447  
D685,804 S \* 7/2013 Richter ..... D14/447  
D696,241 S \* 12/2013 Paugh et al. .... D14/253  
2002/0191782 A1 \* 12/2002 Beger et al. .... 379/454  
2005/0236536 A1 \* 10/2005 Fan ..... 248/176.3  
2011/0019992 A1 \* 1/2011 Orf ..... 396/419

\* cited by examiner

*Primary Examiner* — Susan Bennett Hattan

*Assistant Examiner* — Janice Hallmark

(74) *Attorney, Agent, or Firm* — Quinn Law Group, PLLC.

(57) **CLAIM**

I claim the ornamental design for a support component, as shown and described.

**DESCRIPTION**

FIG. 1 is a rear perspective view of the support component, in a closed position.

FIG. 2 is a rear view of the support component of FIG. 1.

FIG. 3 is a front view of the support component of FIG. 1.

FIG. 4 is a bottom view of the support component of FIG. 1.

FIG. 5 is a left side view of the support component of FIG. 1.

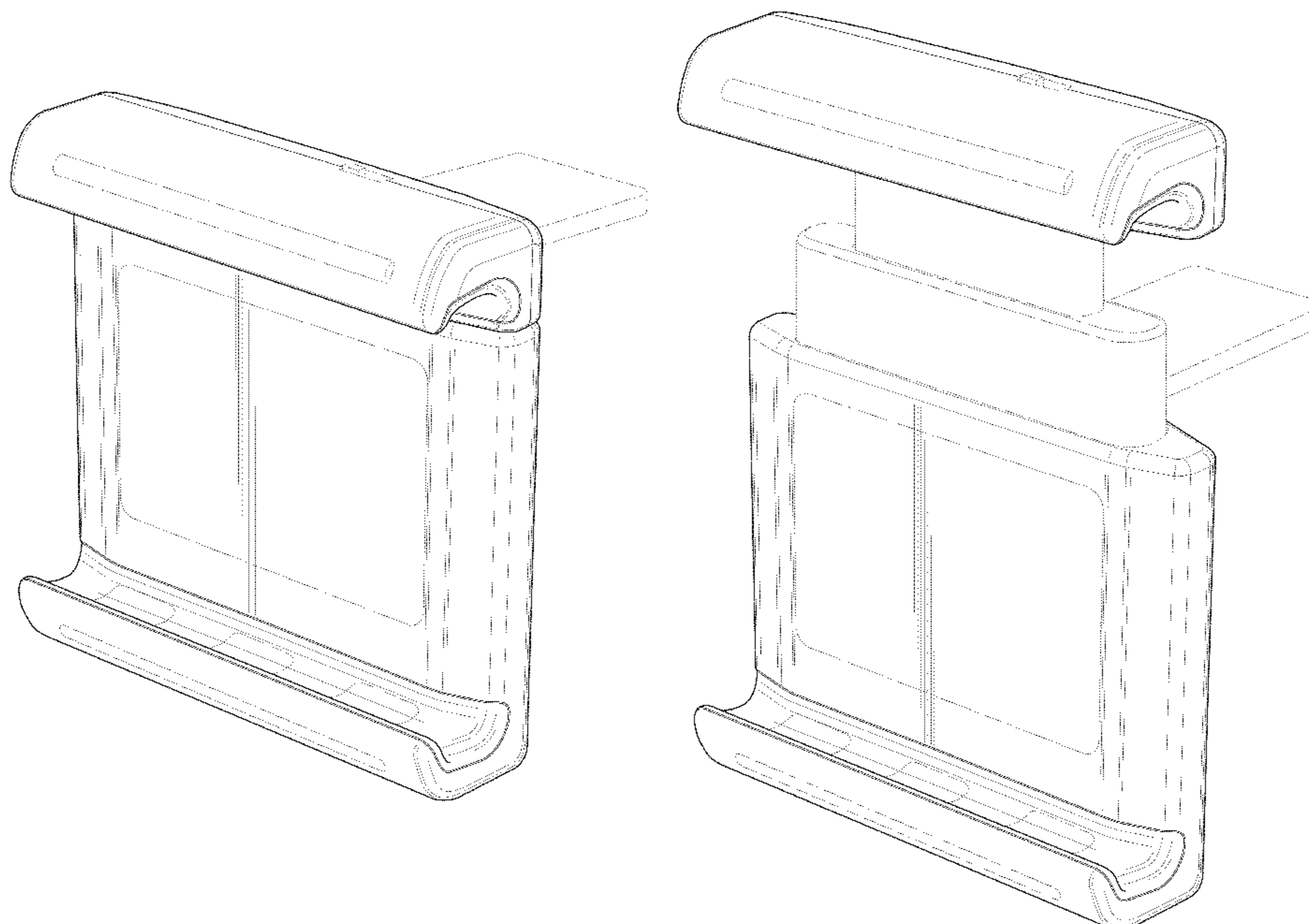
FIG. 6 is a top view of the support component of FIG. 1.

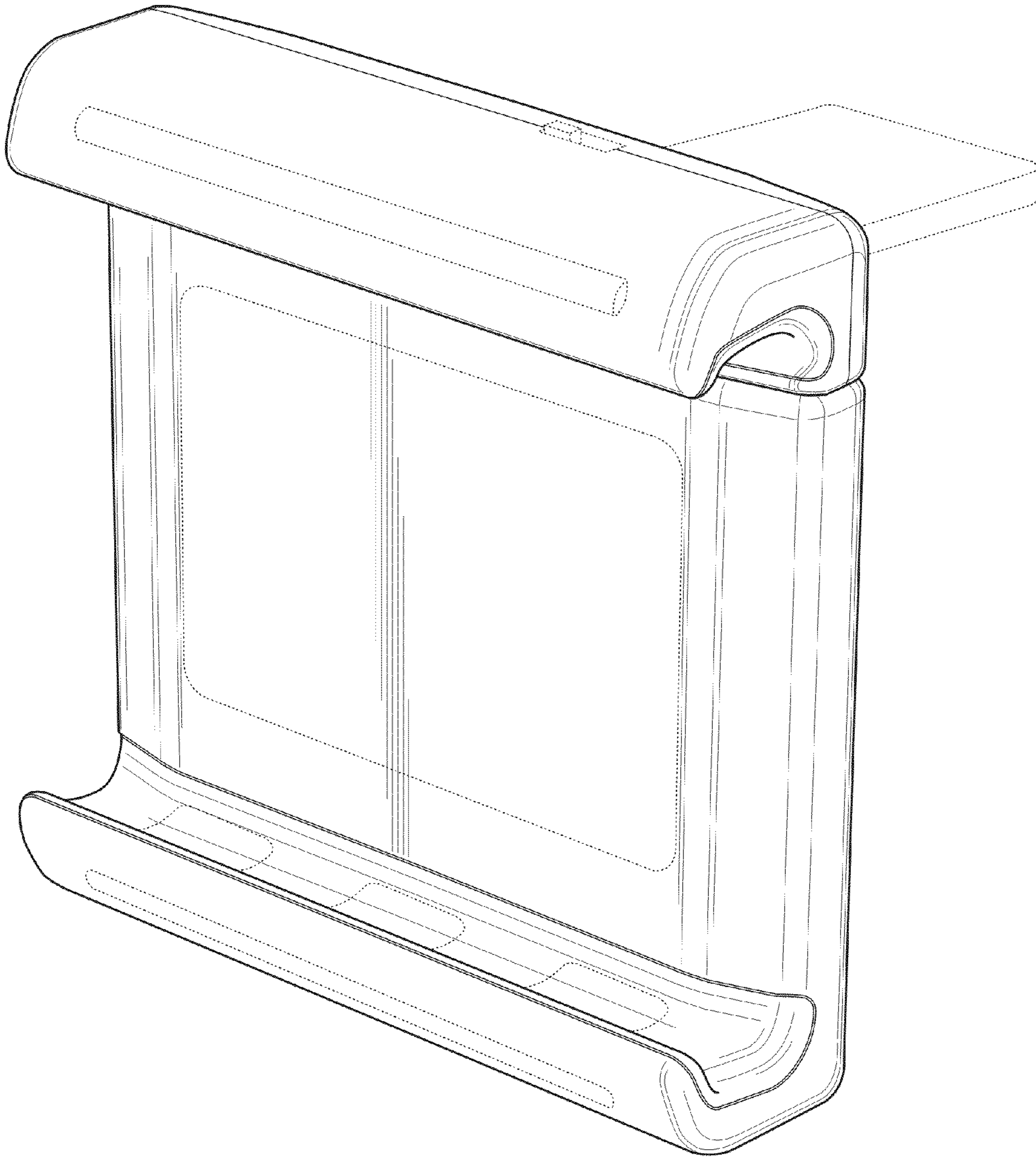
FIG. 7 is a right side view of the support component of FIG. 1; and,

FIG. 8 is a rear perspective view of the support component of FIG. 1, in an open position.

All broken lines illustrate portions of the support component to which the design is applied that form no part of the claim.

**1 Claim, 8 Drawing Sheets**





**FIG. 1**

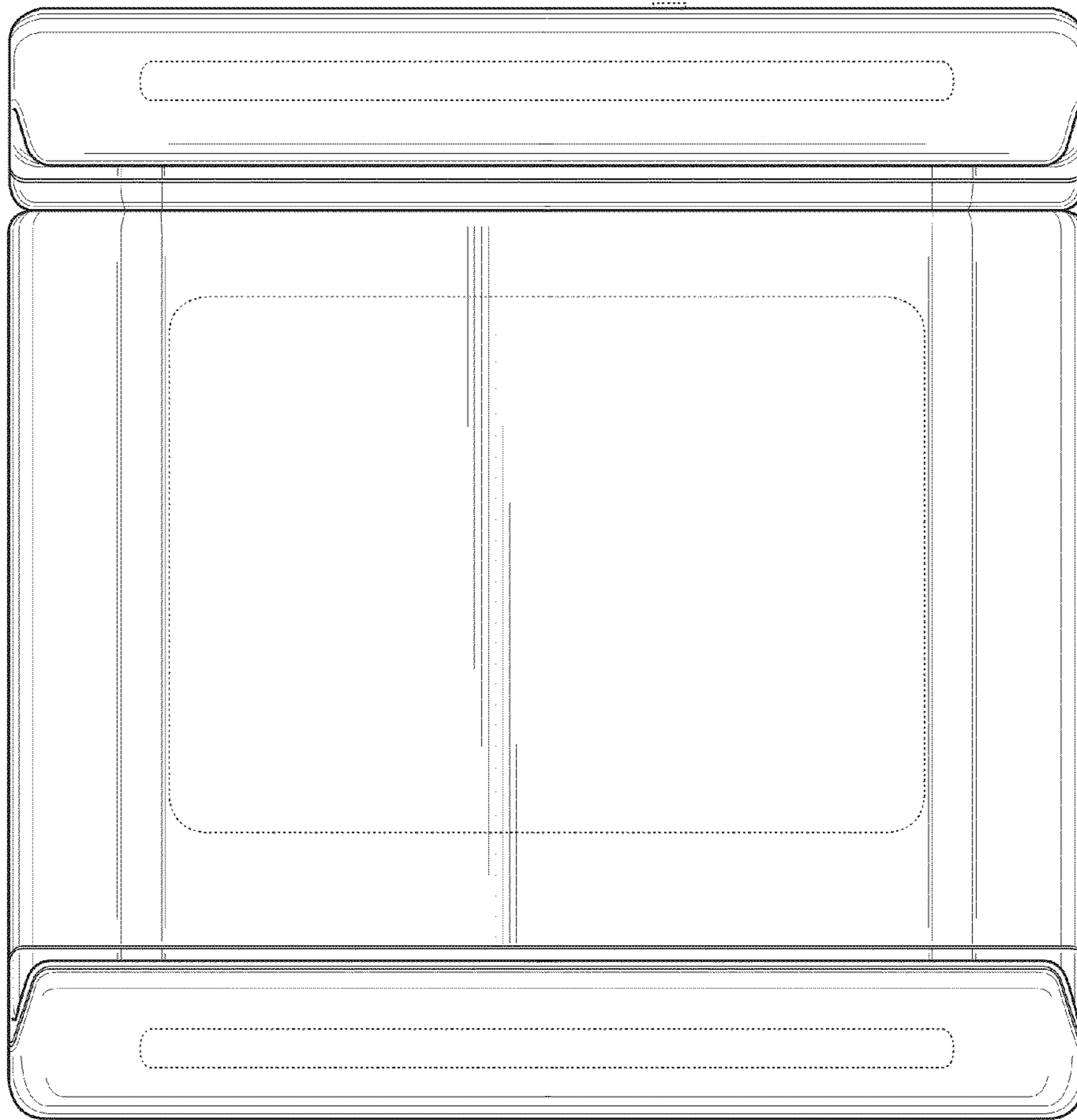


FIG. 2



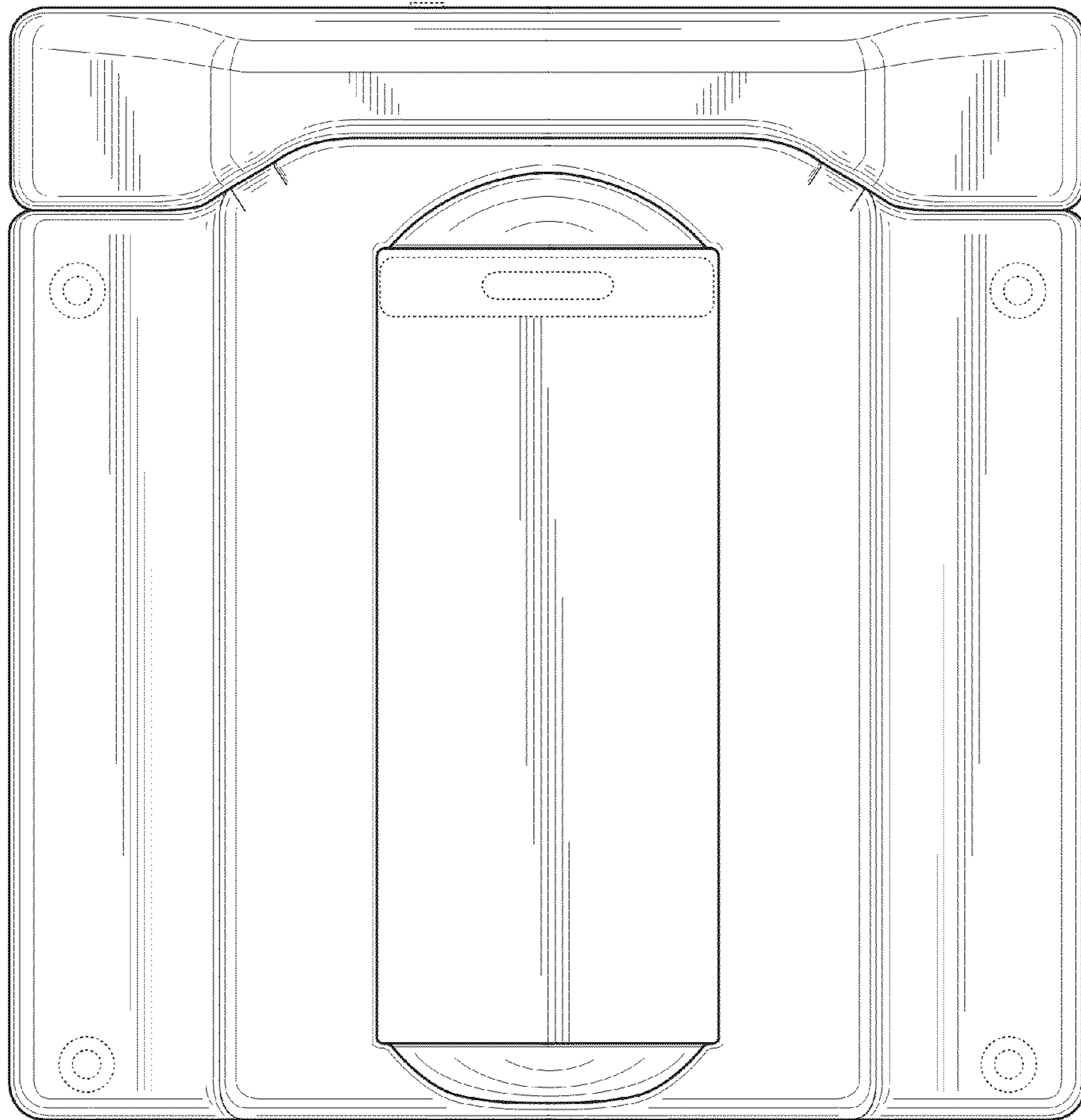


FIG. 3

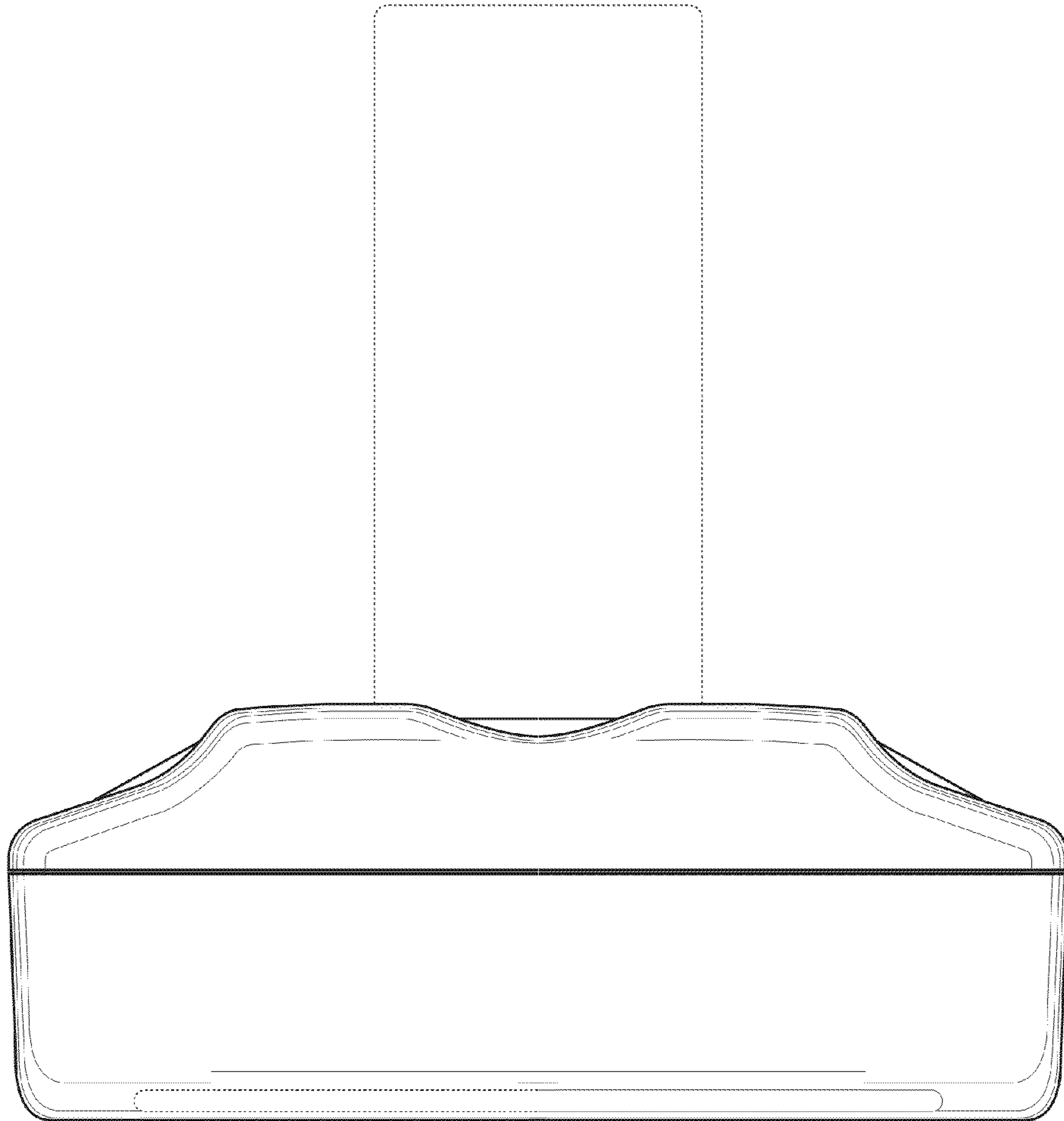


FIG. 4

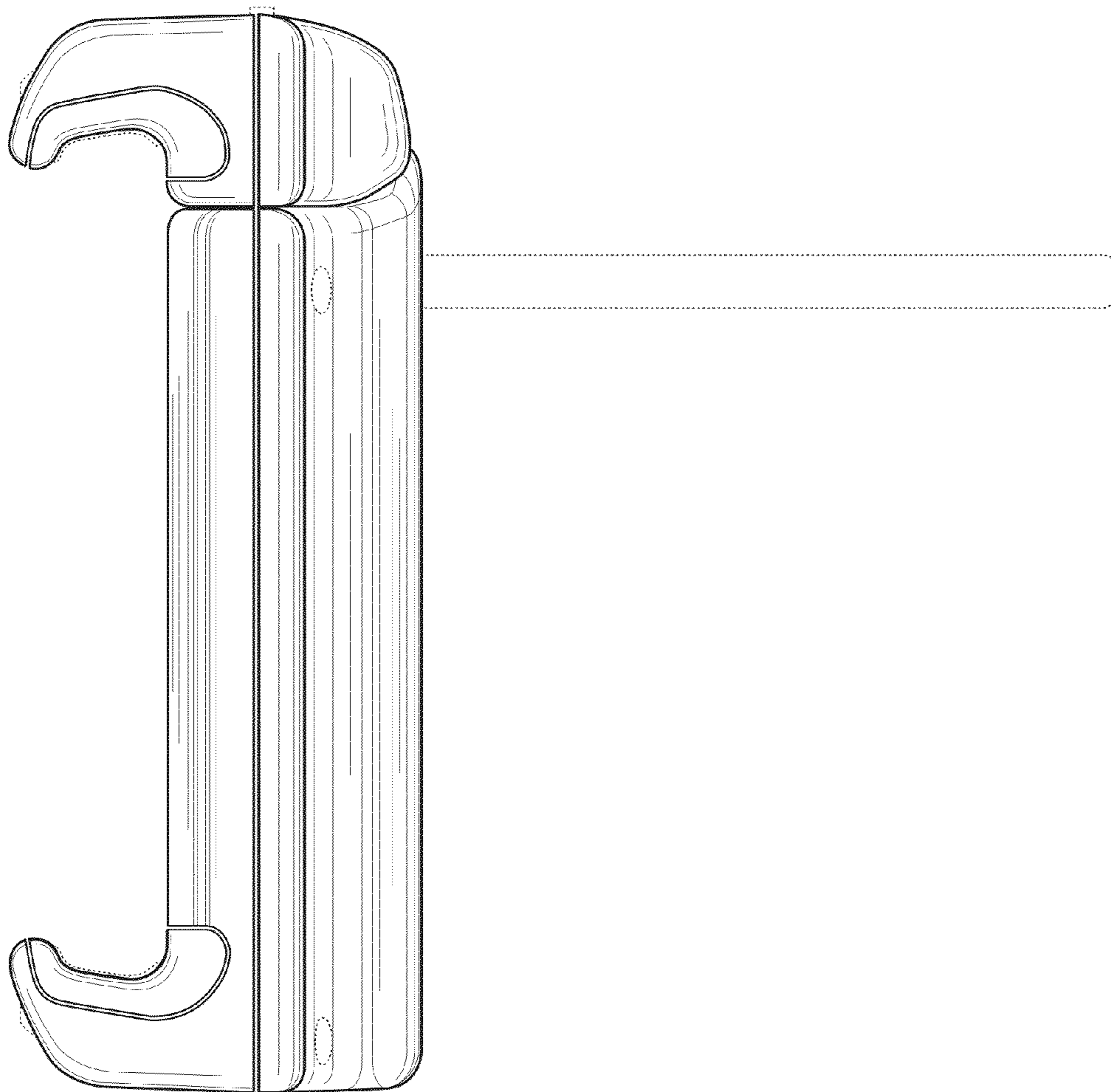


FIG. 5

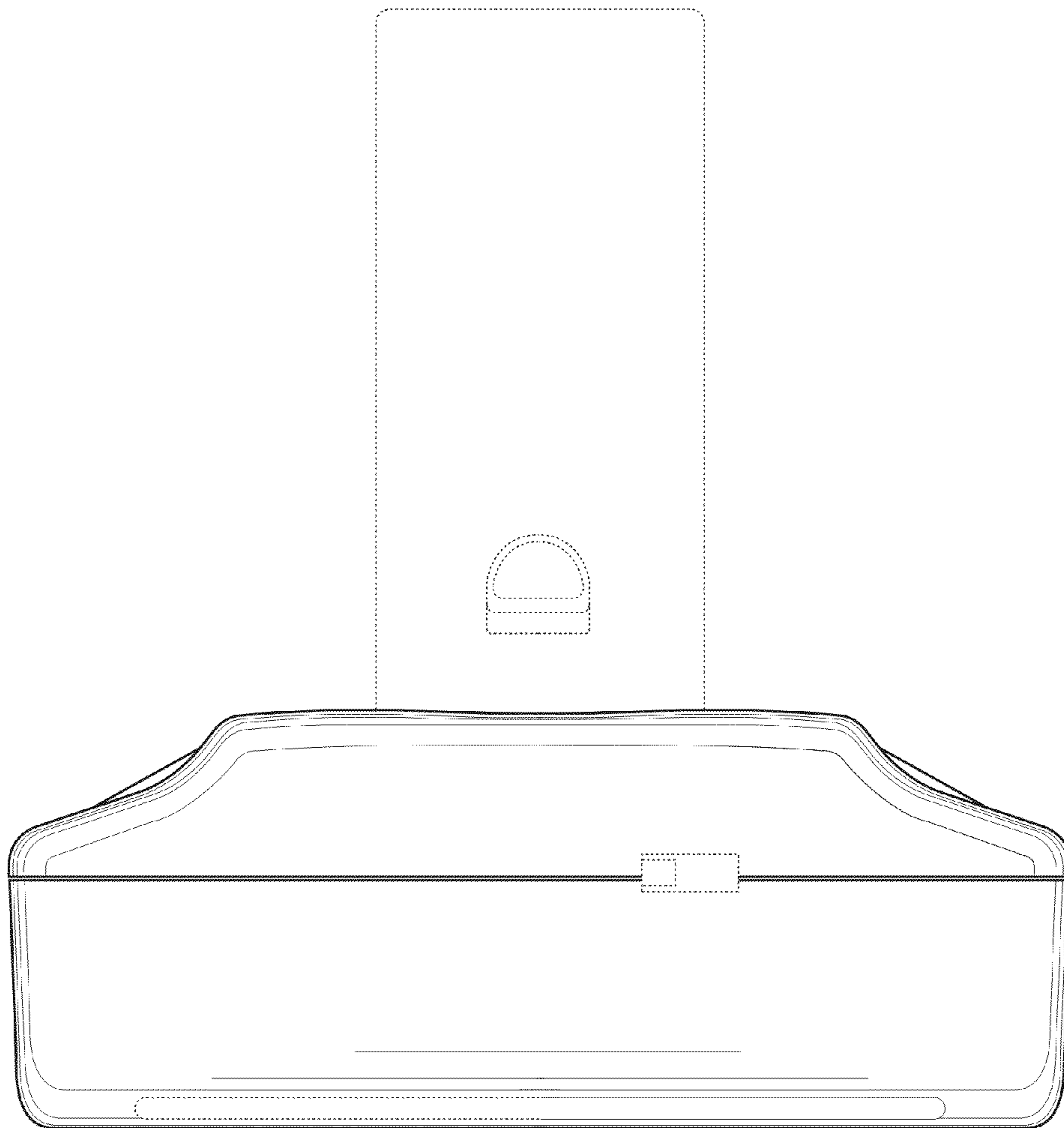


FIG. 6

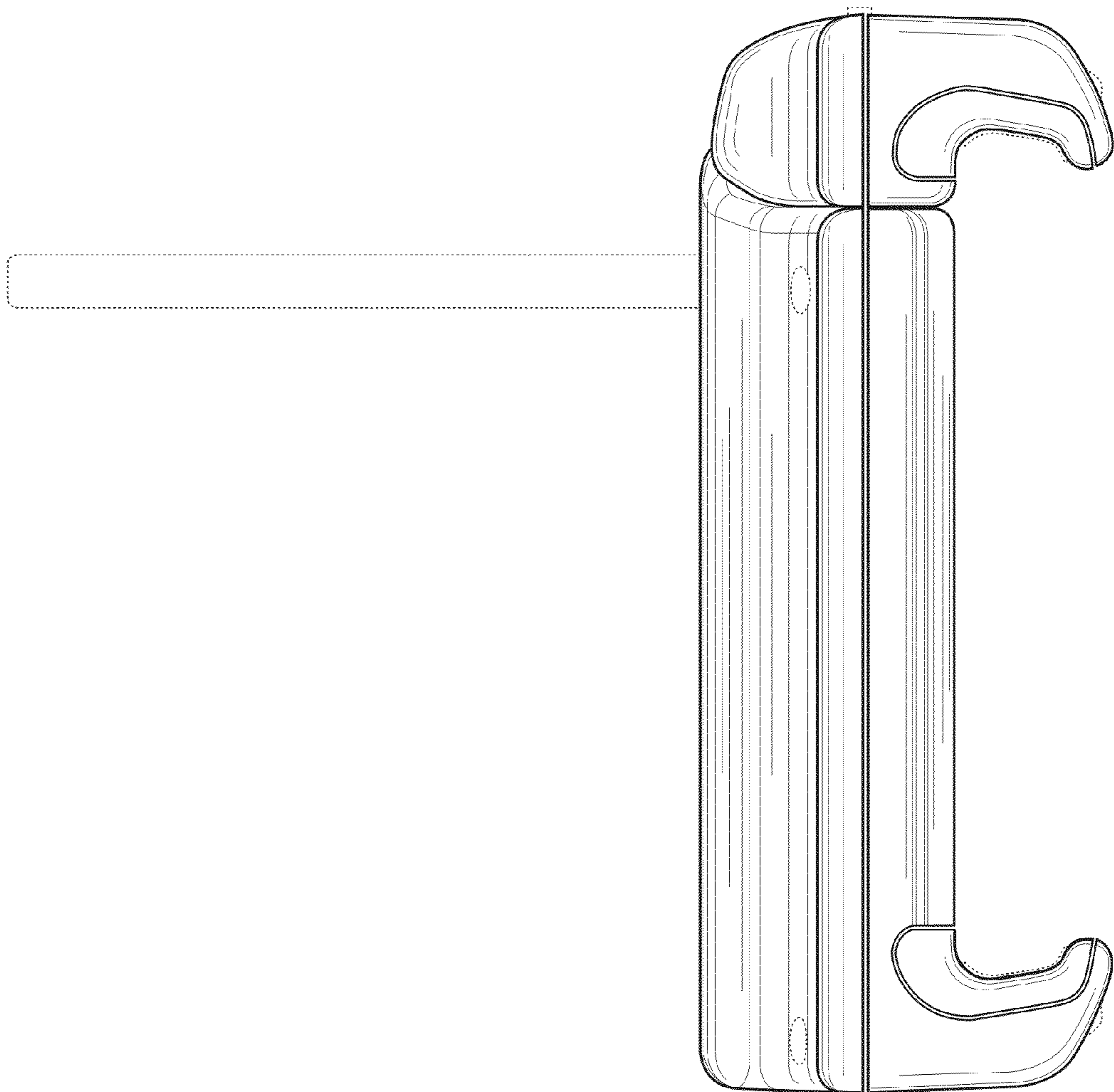
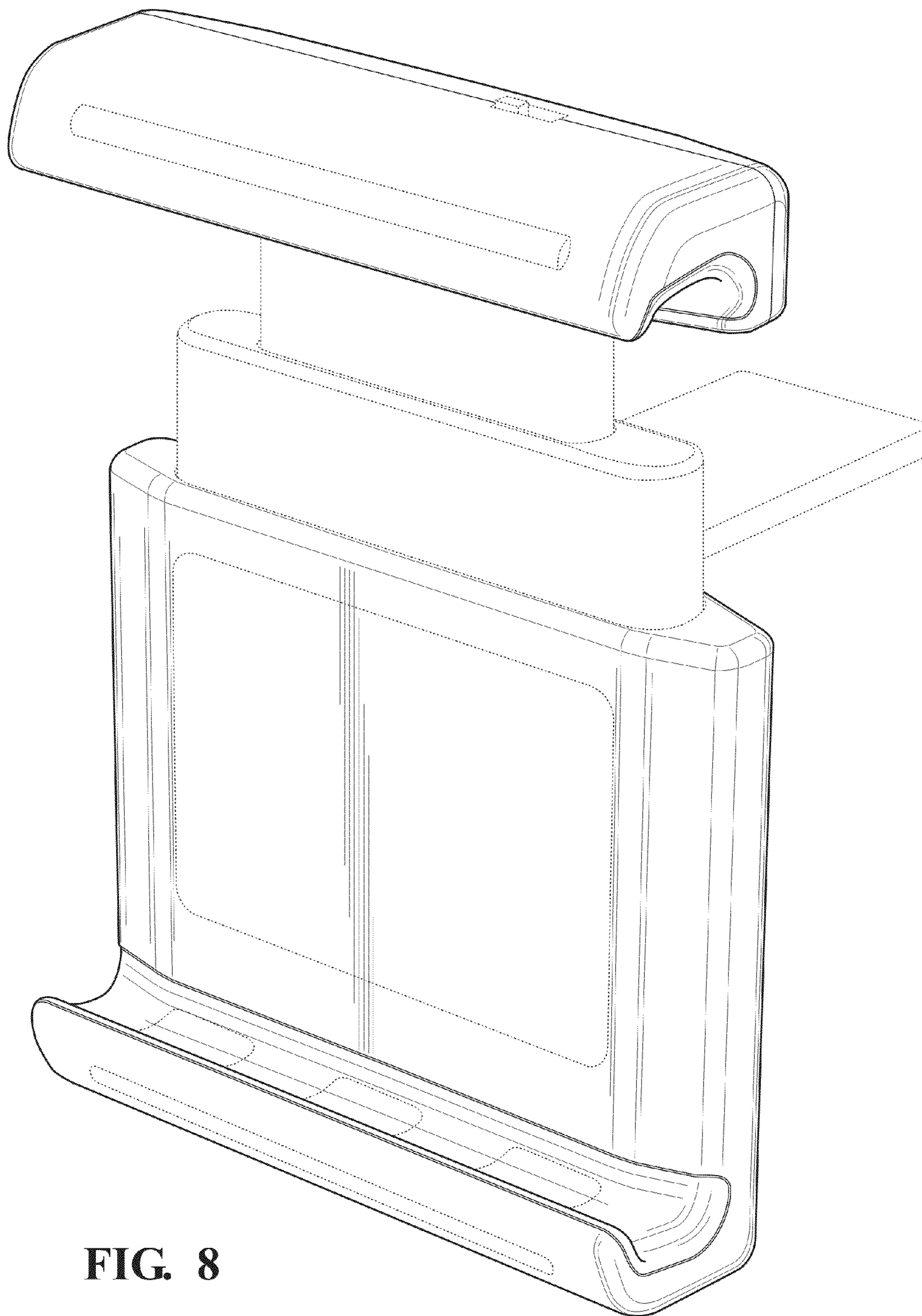


FIG. 7





**FIG. 8**