



US00D721072S

(12) **United States Design Patent**
Laffon de Mazieres et al.

(10) **Patent No.:** **US D721,072 S**
(45) **Date of Patent:** **** Jan. 13, 2015**

- (54) **ELECTRONIC DEVICE CASE**
- (71) Applicant: **Amazon Technologies, Inc.**, Reno, NV (US)
- (72) Inventors: **Emmanuel J M Laffon de Mazieres**, Burlingame, CA (US); **Marc Rene Walliser**, San Francisco, CA (US); **Christopher Green**, San Francisco, CA (US)
- (73) Assignee: **Amazon Technologies, Inc.**, Reno, NV (US)
- (**) Term: **14 Years**
- (21) Appl. No.: **29/491,244**
- (22) Filed: **May 19, 2014**
- (51) **LOC (10) Cl.** **14-03**
- (52) **U.S. Cl.**
USPC **D14/250**
- (58) **Field of Classification Search**
USPC D14/250, 238.1, 440, 203.3–203.7, 217, D14/240, 248, 251–253, 341–347, 444, 447, D14/496; D13/103, 107–108, 119; 248/176.3, 188.8, 309.1, 371, 668; 361/220, 379.01, 679.01, 679.02, 361/679.09, 679.21, 679.25, 679.3, 679.4, 361/679.56, 679.57, 759, 807, 816; 379/433.11, 451, 455; 455/556.1, 557, 455/566, 575.1, 575.2, 575.8; 206/37, 45.2, 206/305, 320, 216; 320/108, 115; 429/96; 220/4.02; 150/165; 174/50; 235/41, 235/375, 462; 312/223.1; 396/535; D3/201, D3/218, 247, 269, 272, 301, 303
See application file for complete search history.

(56) **References Cited**

U.S. PATENT DOCUMENTS

- D593,750 S * 6/2009 Song D3/269
- D620,931 S * 8/2010 Opman D14/250

- D649,539 S * 11/2011 Hong D14/250
- D651,205 S * 12/2011 Soekoro D14/250
- 8,297,440 B2 * 10/2012 Schmidt et al. 206/320
- D678,871 S * 3/2013 Mishan et al. D14/250
- D679,685 S * 4/2013 Cox D14/250
- D679,694 S * 4/2013 Fahrendorff et al. D14/250
- D681,620 S * 5/2013 Huskinson D14/250
- D682,817 S * 5/2013 Murchison et al. D14/250
- D684,567 S * 6/2013 Murchison et al. D14/250
- D686,199 S * 7/2013 Fahrendorff et al. D14/250
- D686,606 S * 7/2013 Hong D14/250
- D686,607 S * 7/2013 Hong D14/250
- D687,026 S * 7/2013 Ruvolo D14/250
- D688,655 S * 8/2013 Rey-Hipolito et al. D14/250
- D689,852 S * 9/2013 Azoulay D14/250
- D694,226 S * 11/2013 Thompson et al. D14/250

(Continued)

Primary Examiner — Carla Jobe Wright

(74) *Attorney, Agent, or Firm* — Lee & Hayes, PLLC

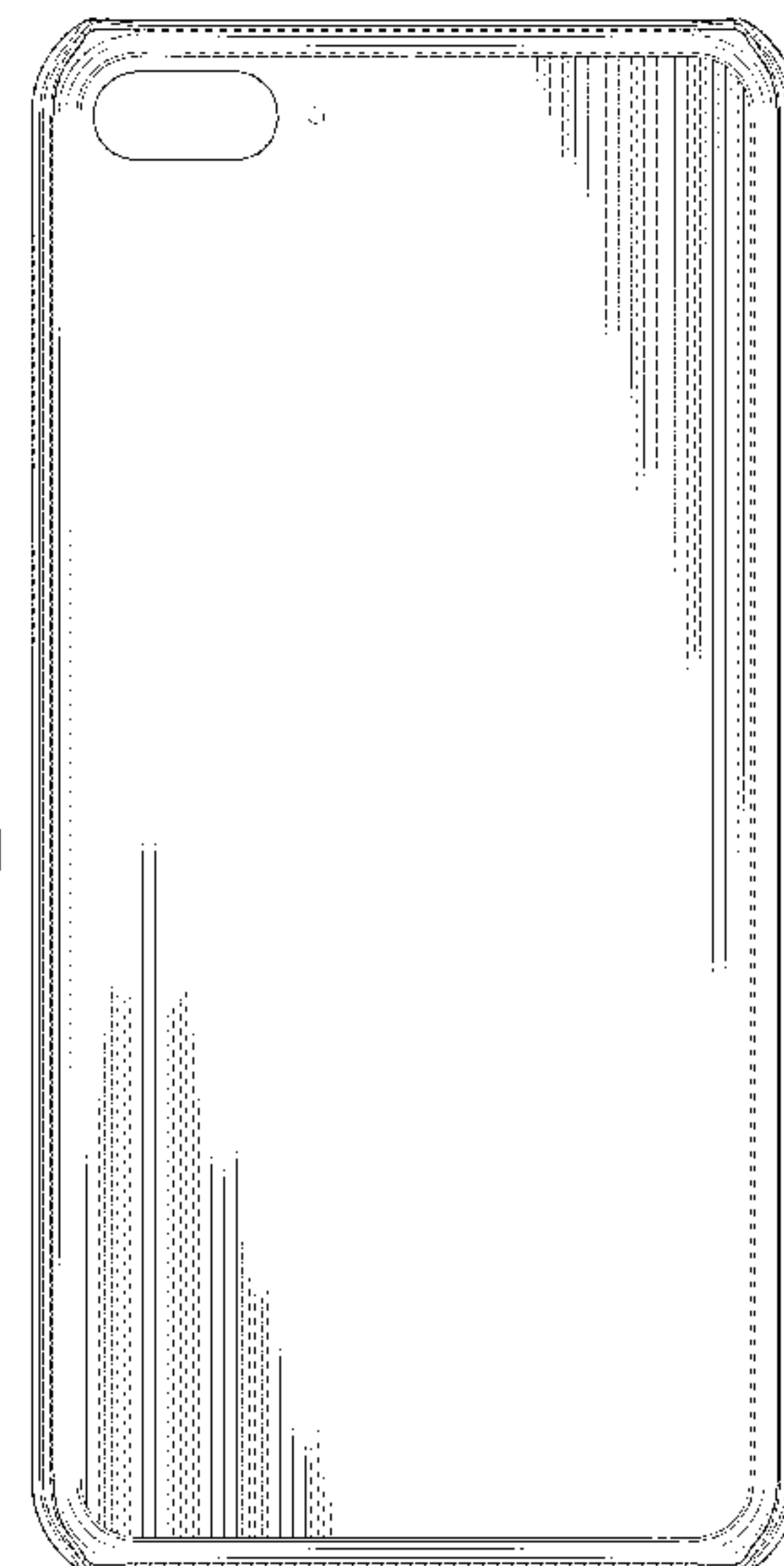
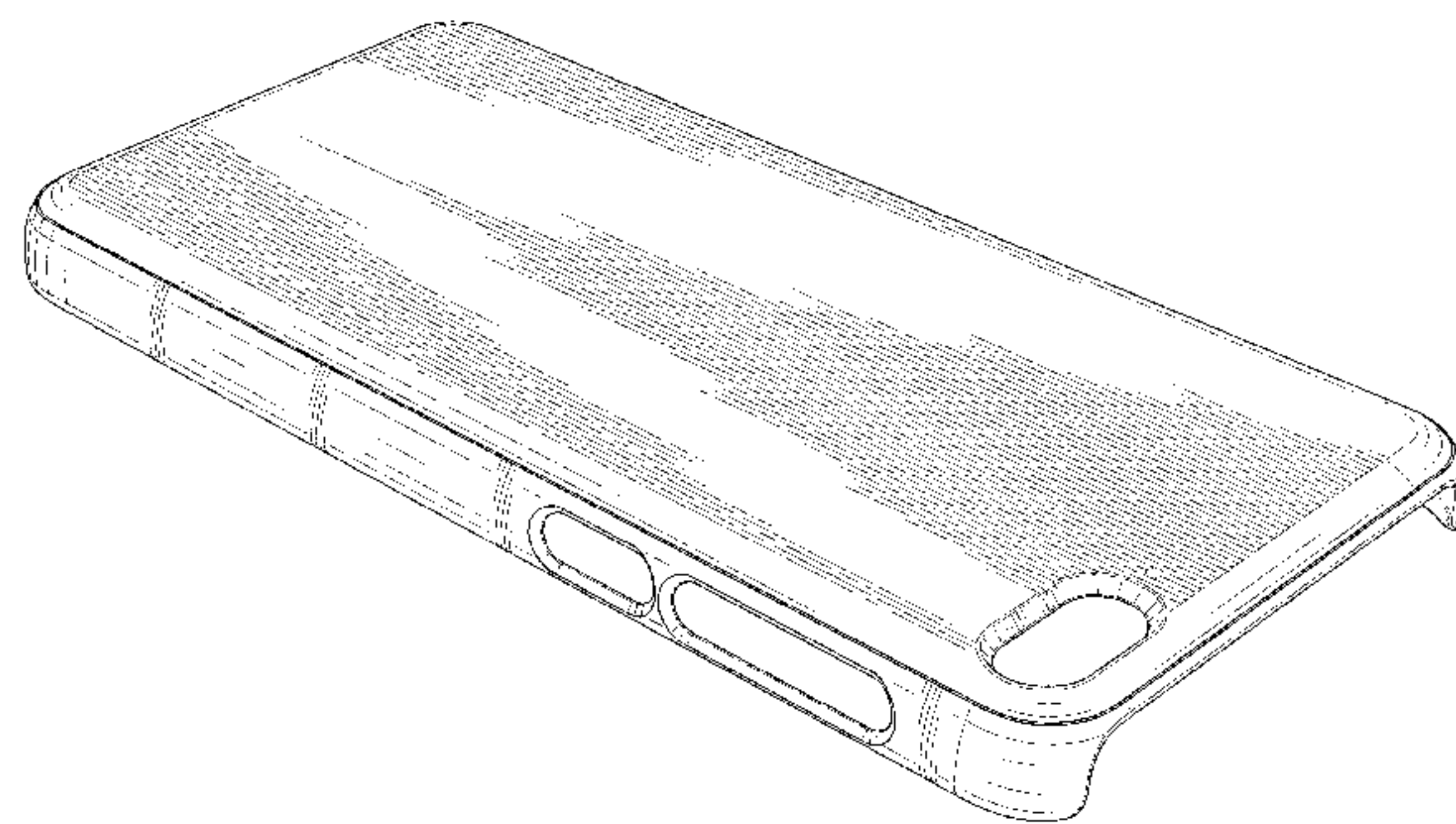
(57) **CLAIM**

The ornamental design for an electronic device case, as shown and described.

DESCRIPTION

FIG. 1 is a perspective view of an electronic device case; FIG. 2 is another perspective view of the electronic device case of FIG. 1; FIG. 3 is a bottom view of the electronic device case of FIG. 1; FIG. 4 is a top view of the electronic device case of FIG. 1; FIG. 5 is a left-side view of the electronic device case of FIG. 1; FIG. 6 is a right-side view of the electronic device case of FIG. 1; FIG. 7 is a back view of the electronic device case of FIG. 1; and, FIG. 8 is a front view of the electronic device case of FIG. 1. The broken lines are directed to unclaimed portions and form no part of the claimed design.

1 Claim, 6 Drawing Sheets



(56)

References Cited

D702,672 S * 4/2014 Mather D14/250
D704,684 S * 5/2014 Yeh et al. D14/248

U.S. PATENT DOCUMENTS

D694,743 S * 12/2013 Monaco et al. D14/250 * cited by examiner

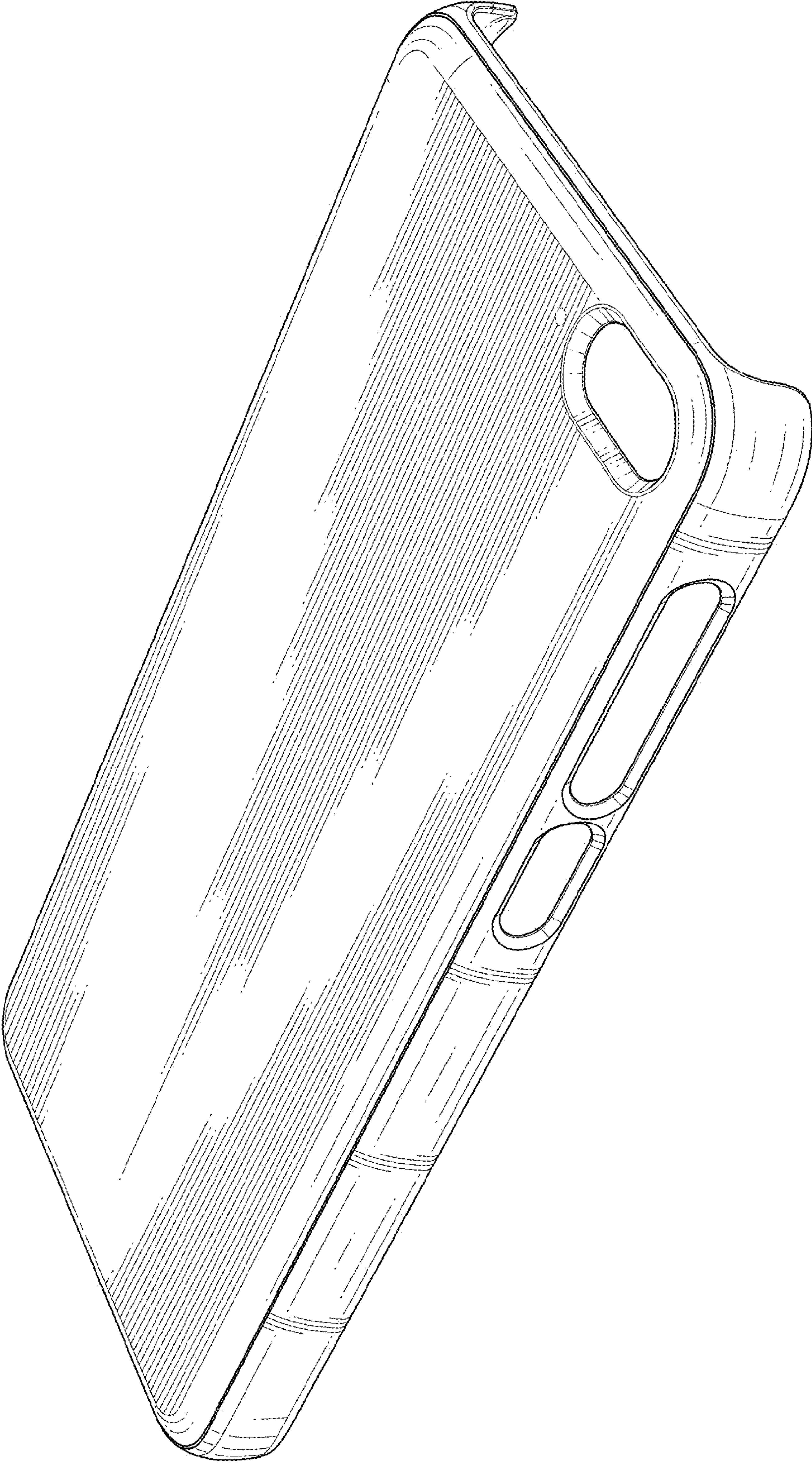


FIG. 1

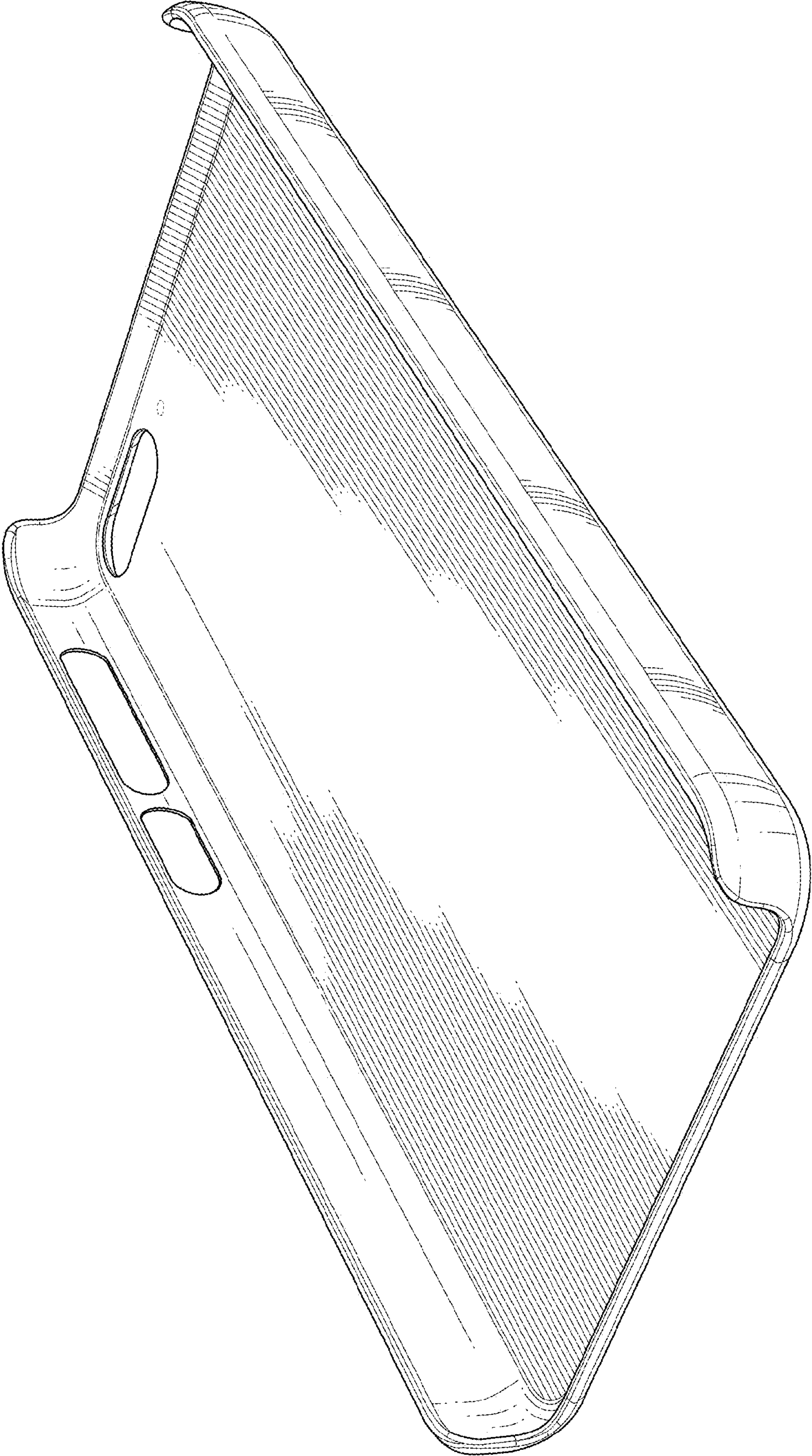


FIG. 2

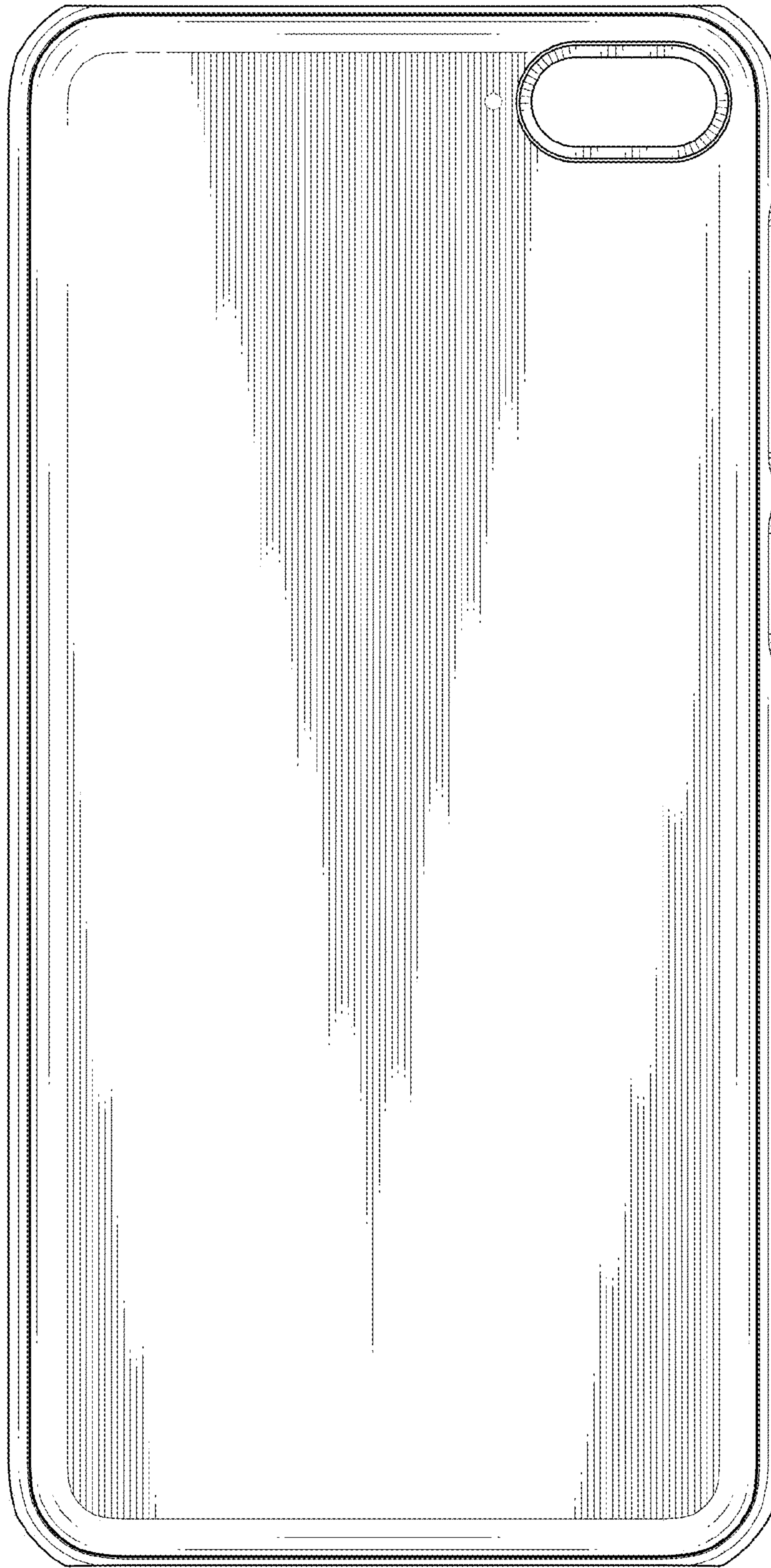


FIG. 3



FIG. 4

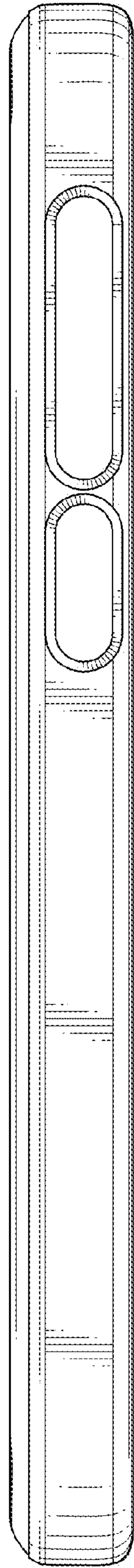


FIG. 5

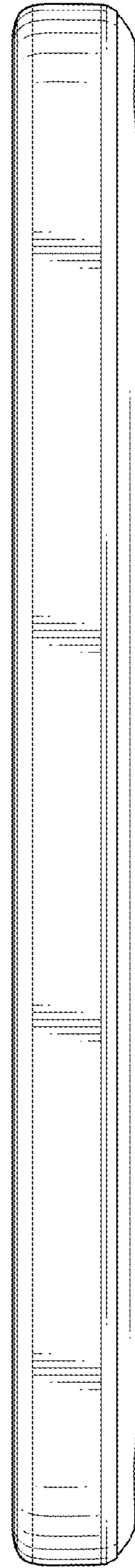


FIG. 6

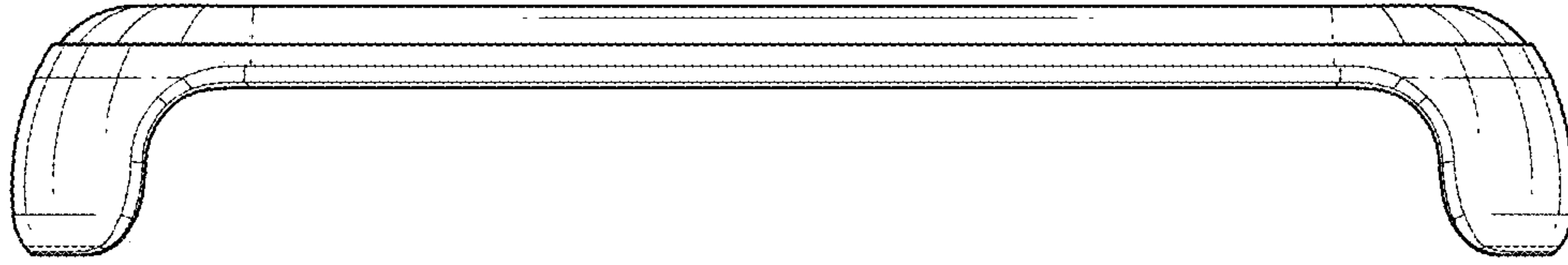


FIG. 7

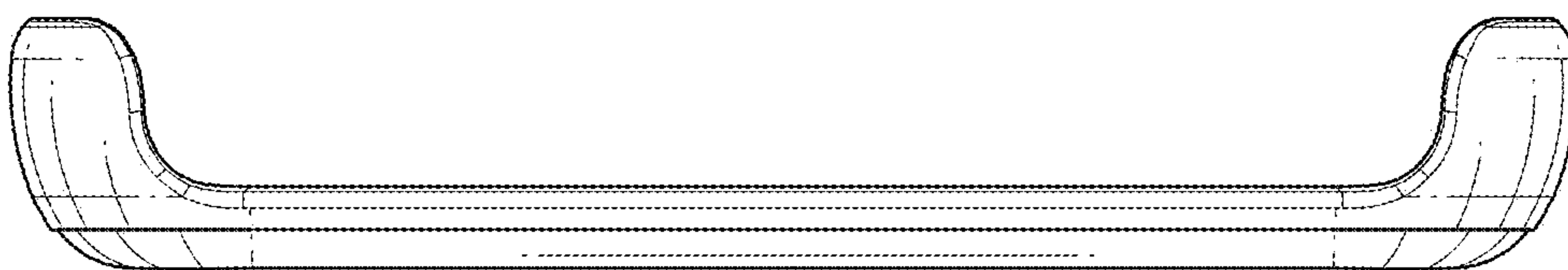


FIG. 8