



US00D721067S

(12) **United States Design Patent**
Su et al.

(10) **Patent No.:** **US D721,067 S**
(45) **Date of Patent:** **** Jan. 13, 2015**

(54) **CASE FOR A PORTABLE ELECTRONIC DEVICE**

(71) Applicant: **AFC Trident, Inc.**, Ontario, CA (US)

(72) Inventors: **Yi-Chieh Su**, Chino, CA (US); **Hong Lip Yow**, Chino, CA (US)

(73) Assignee: **AFC Trident, Inc.**, Ontario, CA (US)

(**) Term: **14 Years**

(21) Appl. No.: **29/444,139**

(22) Filed: **Jan. 25, 2013**

(51) **LOC (10) Cl.** **14-03**

(52) **U.S. Cl.**
USPC **D14/250**

(58) **Field of Classification Search**
USPC D14/250, 440, 238.1, 251–253,
D14/203.3–203.7, 217, 496, 248, 240, 447,
D14/341–347, 432, 434; D13/110, 118,
D13/184, 199, 103, 107, 108, 119;
220/4.02; 320/107; 224/191, 240, 241,
224/245, 682, 683; D3/201, 218, 247, 269,
D3/273, 301, 303; 361/679.56, 679.3,
361/679.25, 816; 379/426, 433.11, 455;
455/575.1, 575.8

See application file for complete search history.

(56) **References Cited**

U.S. PATENT DOCUMENTS

D637,592 S * 5/2011 Magness et al. D14/250
D638,829 S * 5/2011 Melanson et al. D14/250
D671,932 S * 12/2012 Azoulay D14/250
D671,933 S * 12/2012 Rodgers D14/250

D683,338 S * 5/2013 Wilson et al. D14/250
D684,150 S * 6/2013 Goradesky et al. D14/250
D685,358 S * 7/2013 Armstrong et al. D14/250
D688,233 S * 8/2013 Dong D14/250
D688,234 S * 8/2013 Esses D14/250
D689,851 S * 9/2013 Chang et al. D14/250
D691,123 S * 10/2013 Lay et al. D14/250
D691,124 S * 10/2013 Yang D14/250
D697,904 S * 1/2014 Wicks et al. D14/250
2012/0018323 A1 * 1/2012 Johnson et al. 206/320
2012/0325720 A1 * 12/2012 Tages et al. 206/522
2013/0063004 A1 * 3/2013 Lai et al. 312/223.1

* cited by examiner

Primary Examiner — Adir Aronovich

Assistant Examiner — Ethiene Salgado-Rodriguez

(74) *Attorney, Agent, or Firm* — Konrad Raynes Davda & Victor LLP; David W. Victor

(57) **CLAIM**

We claim the ornamental design for a case for a portable electronic device, as shown and described.

DESCRIPTION

FIG. 1 is a front perspective view of a case for a portable electronic device according to the claimed design.

FIG. 2 is a front elevational view thereof.

FIG. 3 is a rear elevational view thereof.

FIG. 4 is a left side elevational view thereof.

FIG. 5 is a right side elevational view thereof.

FIG. 6 is a top plan view thereof; and,

FIG. 7 is a bottom plan elevational view thereof.

The broken lines in the drawings are shown to illustrate the portions of a case in which the design is embodied and form no part of the claimed design.

1 Claim, 5 Drawing Sheets

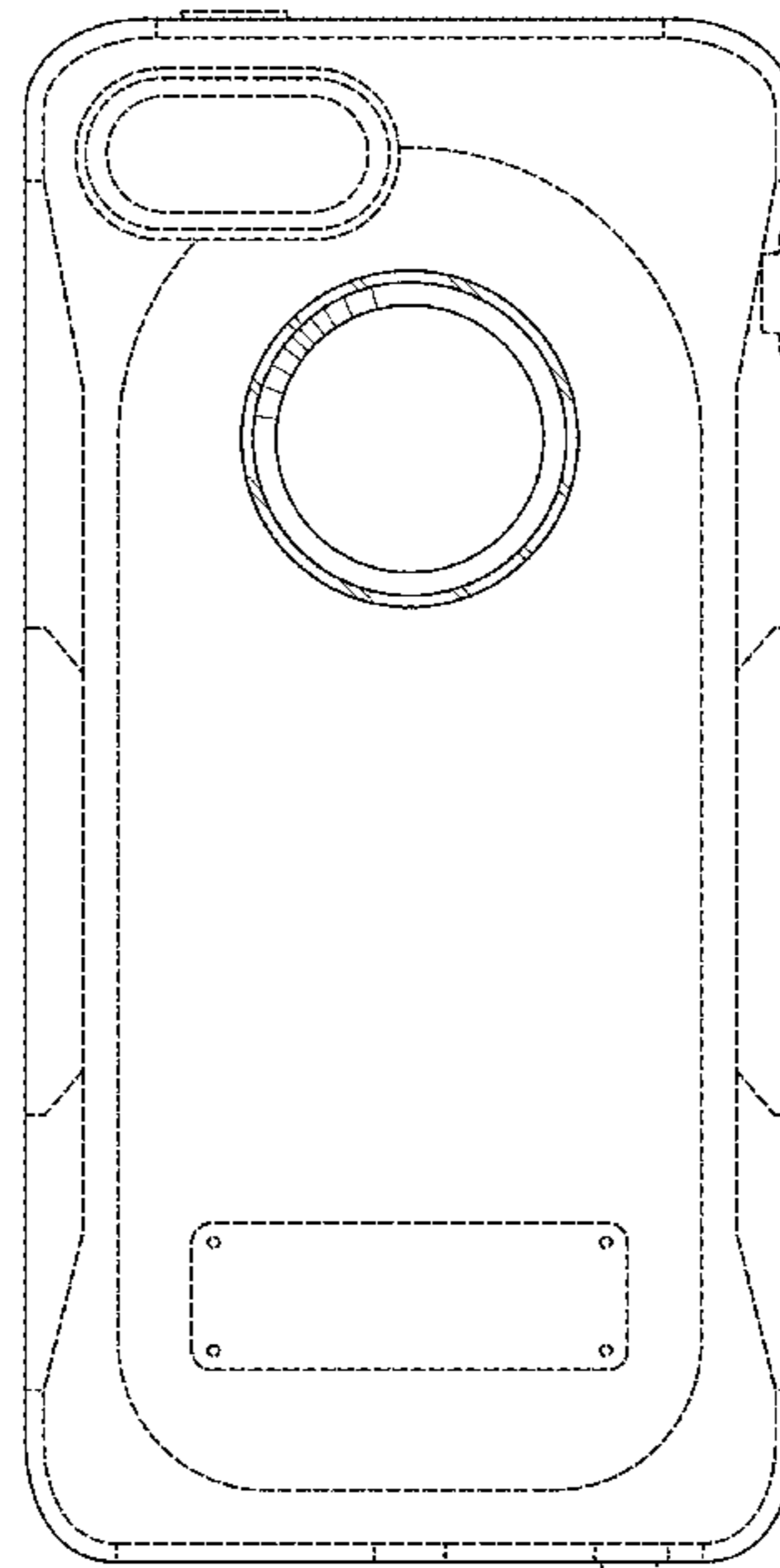
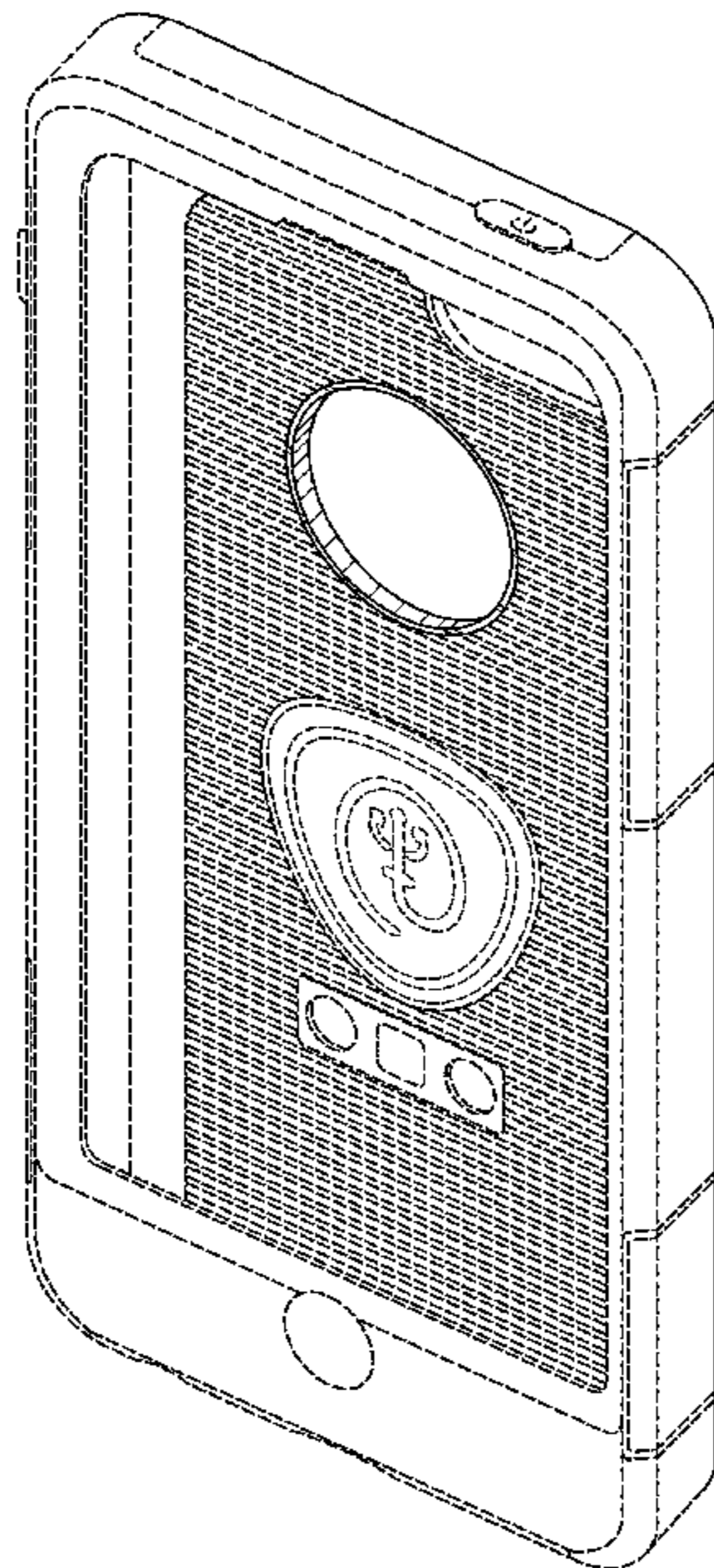
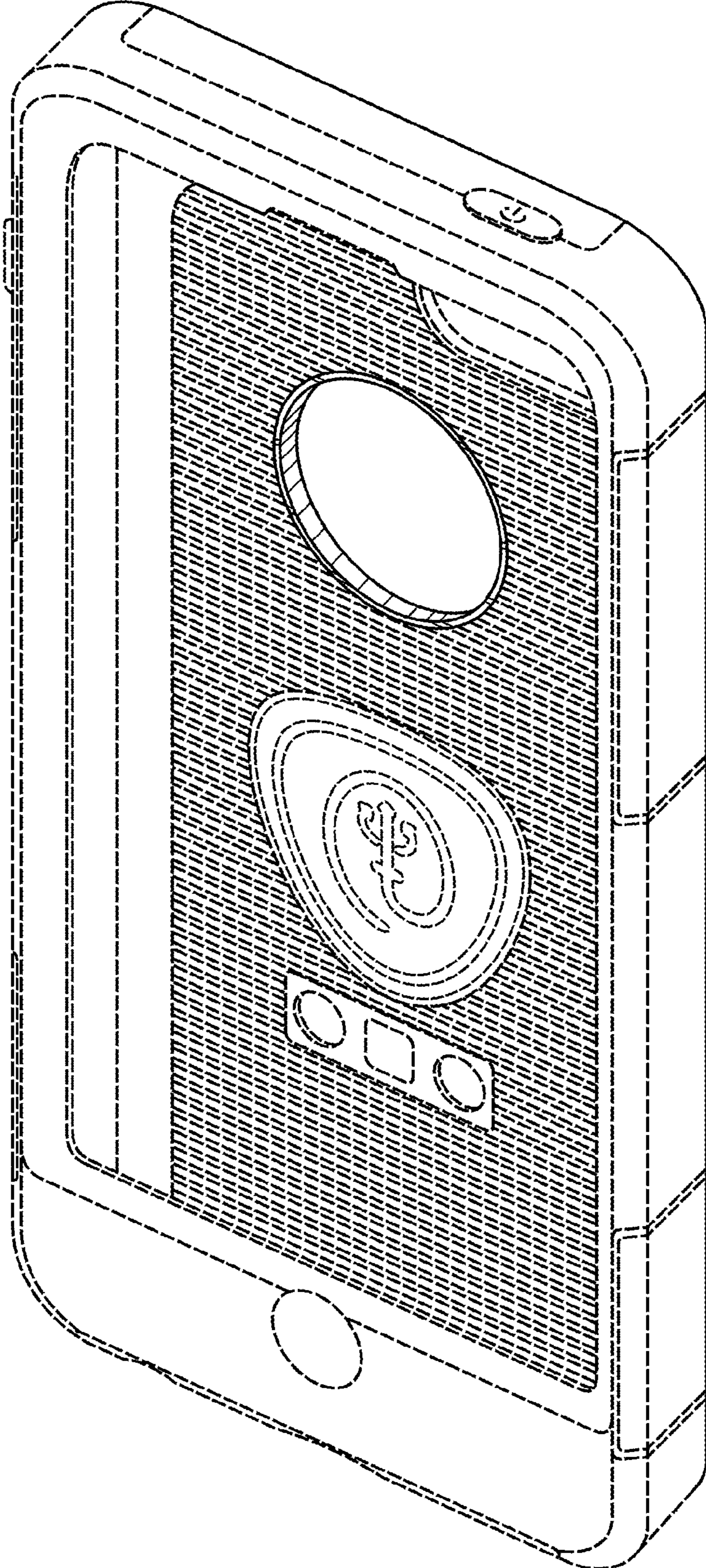


FIG. 1



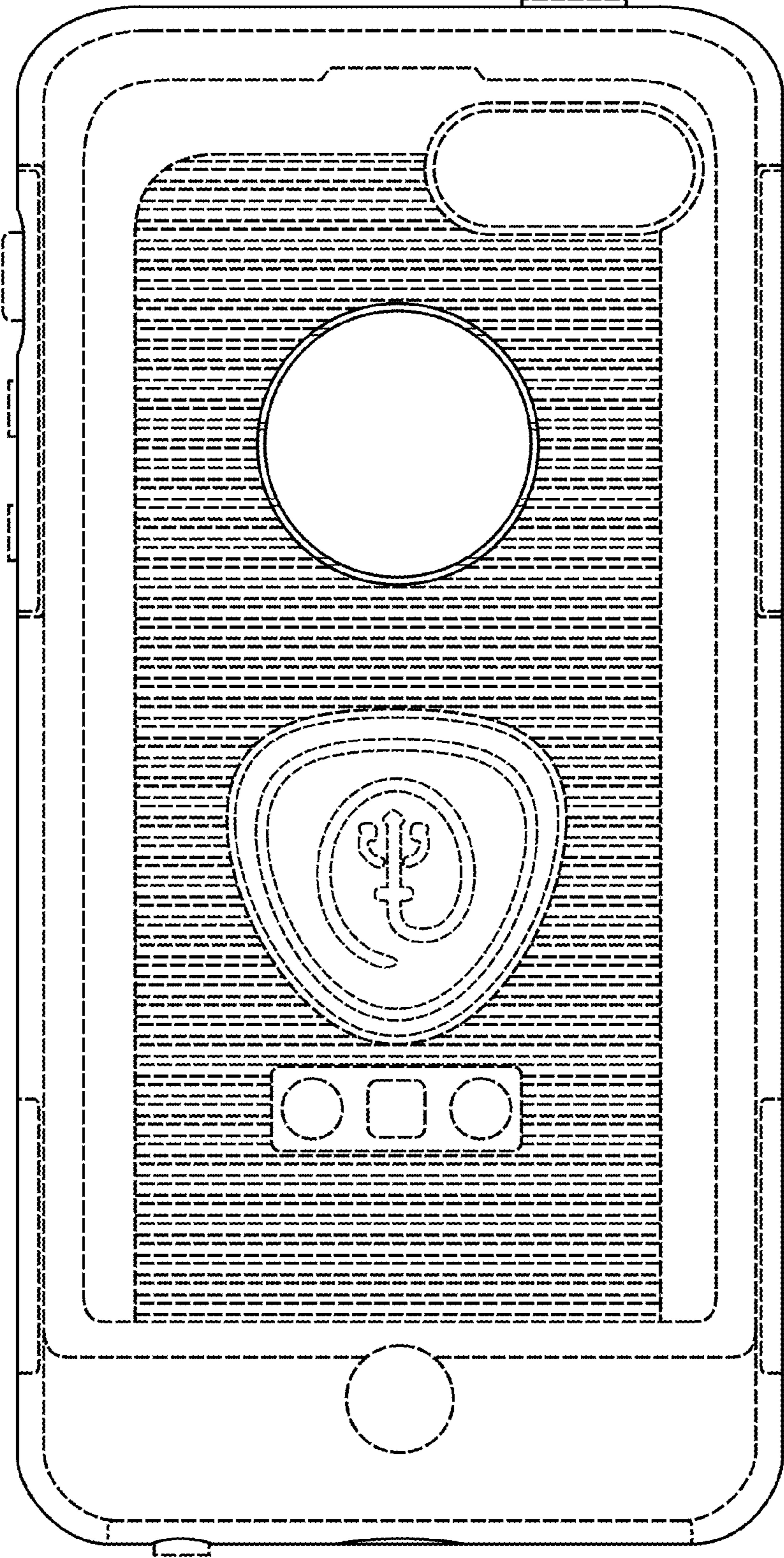


FIG. 2

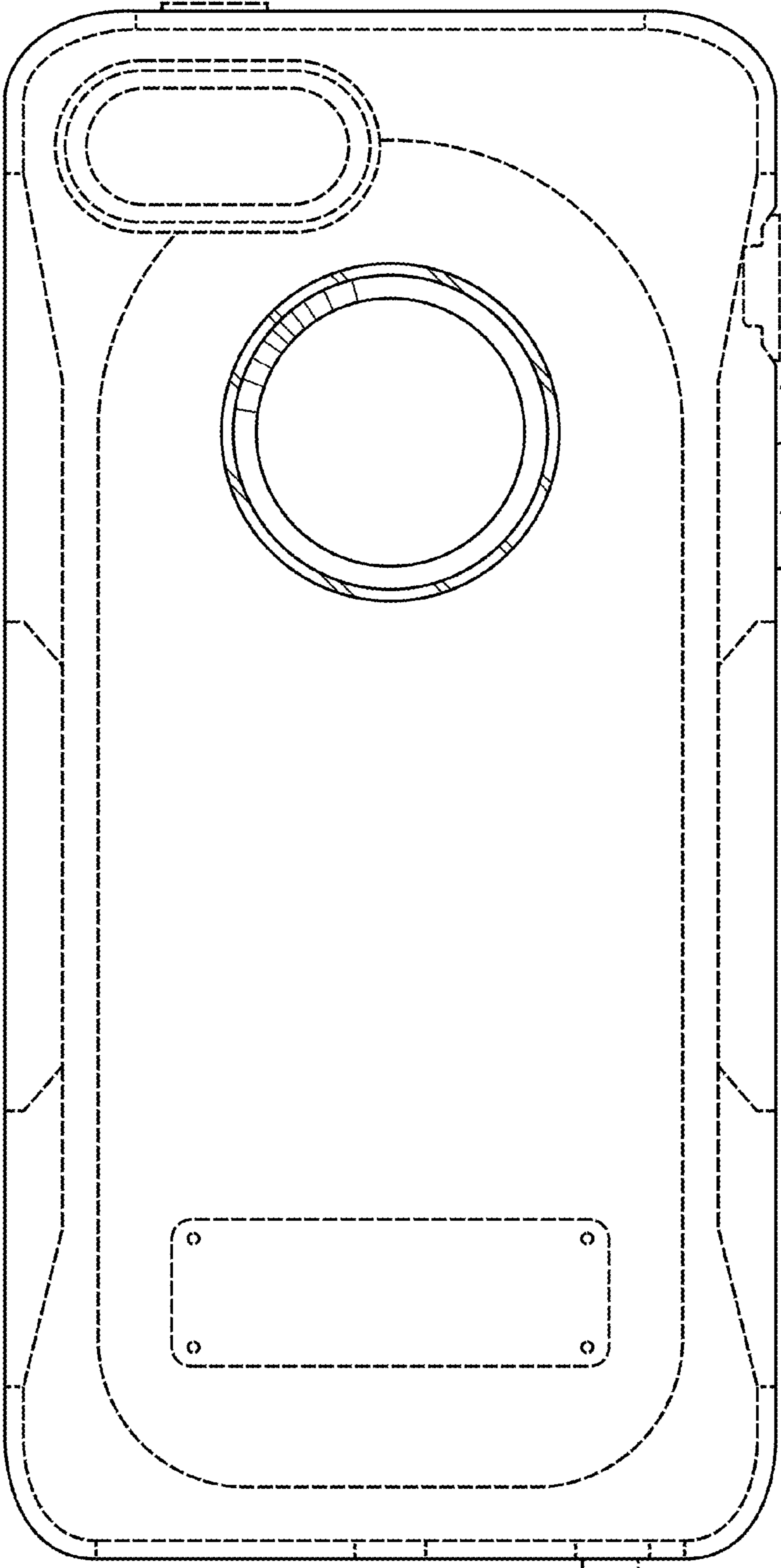


FIG. 3

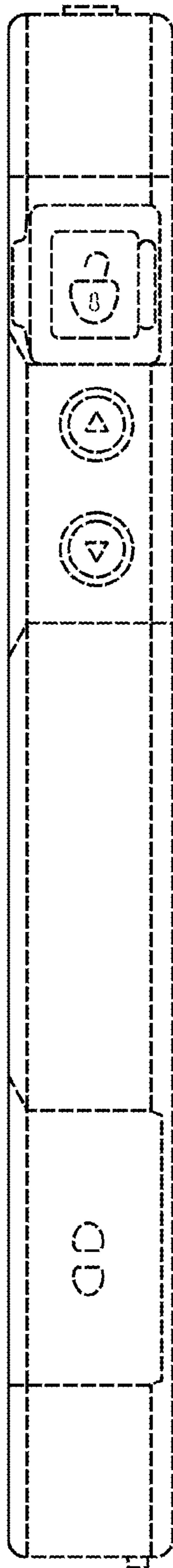


FIG. 4

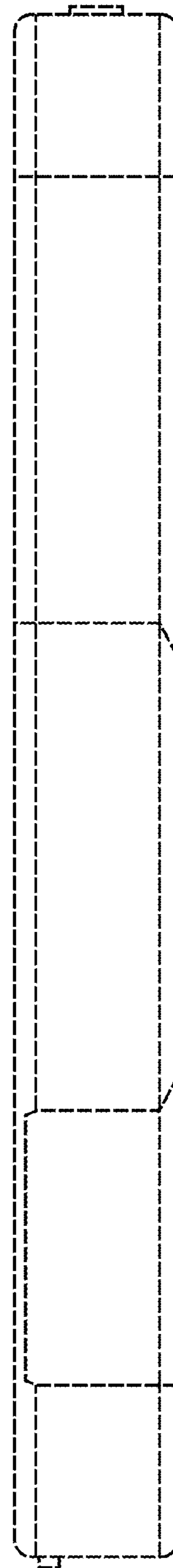


FIG. 5

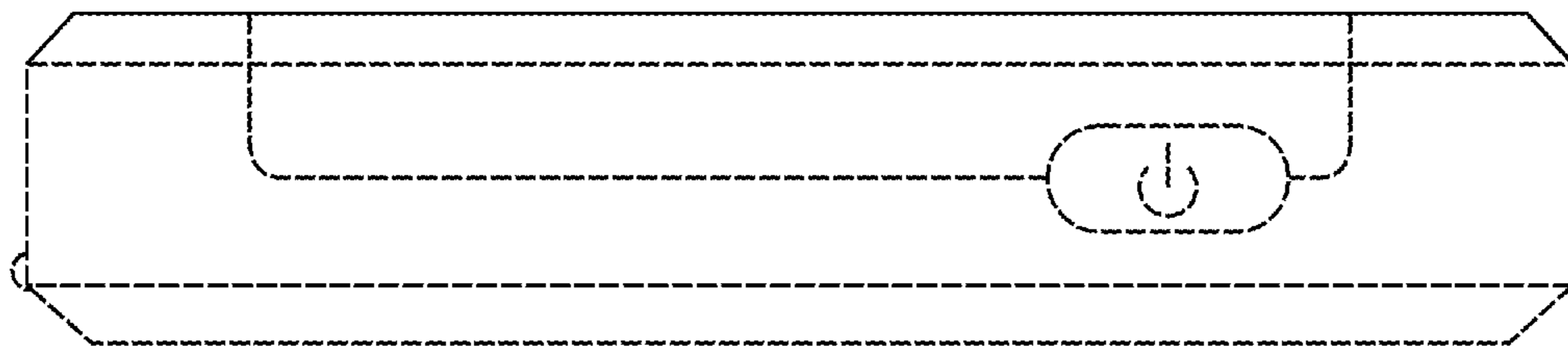


FIG. 6

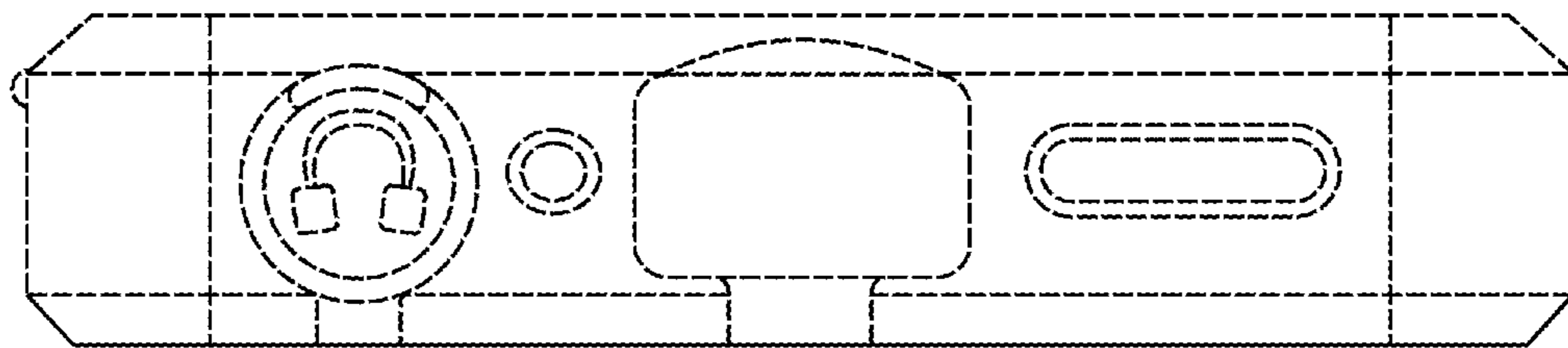


FIG. 7