



US00D721062S

(12) **United States Design Patent**
Danning et al.

(10) **Patent No.:** **US D721,062 S**
(45) **Date of Patent:** **** Jan. 13, 2015**

(54) **AUDIO EQUIPMENT**

(71) Applicant: **Allen & Heath Limited**, Cornwall (GB)

(72) Inventors: **John Danning**, Cornwall (GB); **Carey Davies**, Cornwall (GB); **Ian McBurney**, Cornwall (GB); **Alex Money**, Cornwall (GB); **David Price**, Falmouth (GB); **James Wrigley**, Cornwall (GB); **Glenn Rogers**, Cornwall (GB); **Robin Clarke**, Cornwall (GB); **Simon Trethewey**, Newquay (GB); **Mike Williamson**, Cornwall (GB)

(73) Assignee: **Allen & Heath Limited**, Penryn, Cornwall (GB)

(**) Term: **14 Years**

(21) Appl. No.: **29/462,468**

(22) Filed: **Aug. 5, 2013**

(51) **LOC (10) Cl.** **14-03**

(52) **U.S. Cl.**
USPC **D14/217**

(58) **Field of Classification Search**
USPC D14/162, 167, 168, 175, 188, 196-198, D14/217, 257, 258, 388, 496; D13/163, D13/164; 84/625, 660, 697; 381/119; 455/350

See application file for complete search history.

(56) **References Cited**

U.S. PATENT DOCUMENTS

D270,740 S	9/1983	Pearson
D291,196 S	8/1987	Ito et al.
D380,760 S	7/1997	Mackie et al.
D399,207 S	10/1998	Mackie et al.
D399,208 S	10/1998	Mackie et al.
D401,242 S	11/1998	Mackie et al.
D499,394 S	12/2004	Suzuki

D532,774 S	11/2006	Dawson	
D543,209 S	5/2007	Bae	
D573,587 S *	7/2008	Amiya	D14/217
D603,836 S *	11/2009	Hibbard et al.	D14/191
D617,767 S *	6/2010	Piltonen et al.	D14/188
D655,242 S *	3/2012	Holthusen	D13/107
D662,914 S *	7/2012	Constin	D14/217
D664,564 S *	7/2012	Gillett et al.	D14/496
D690,683 S *	10/2013	Olswang et al.	D14/217
D691,986 S	10/2013	Amiya	
2013/0208954 A1	8/2013	Rowe	

FOREIGN PATENT DOCUMENTS

GB 2064641 4/1997

* cited by examiner

Primary Examiner — Keli L Hill

(74) *Attorney, Agent, or Firm* — Swanson & Bratschun, L.L.C.

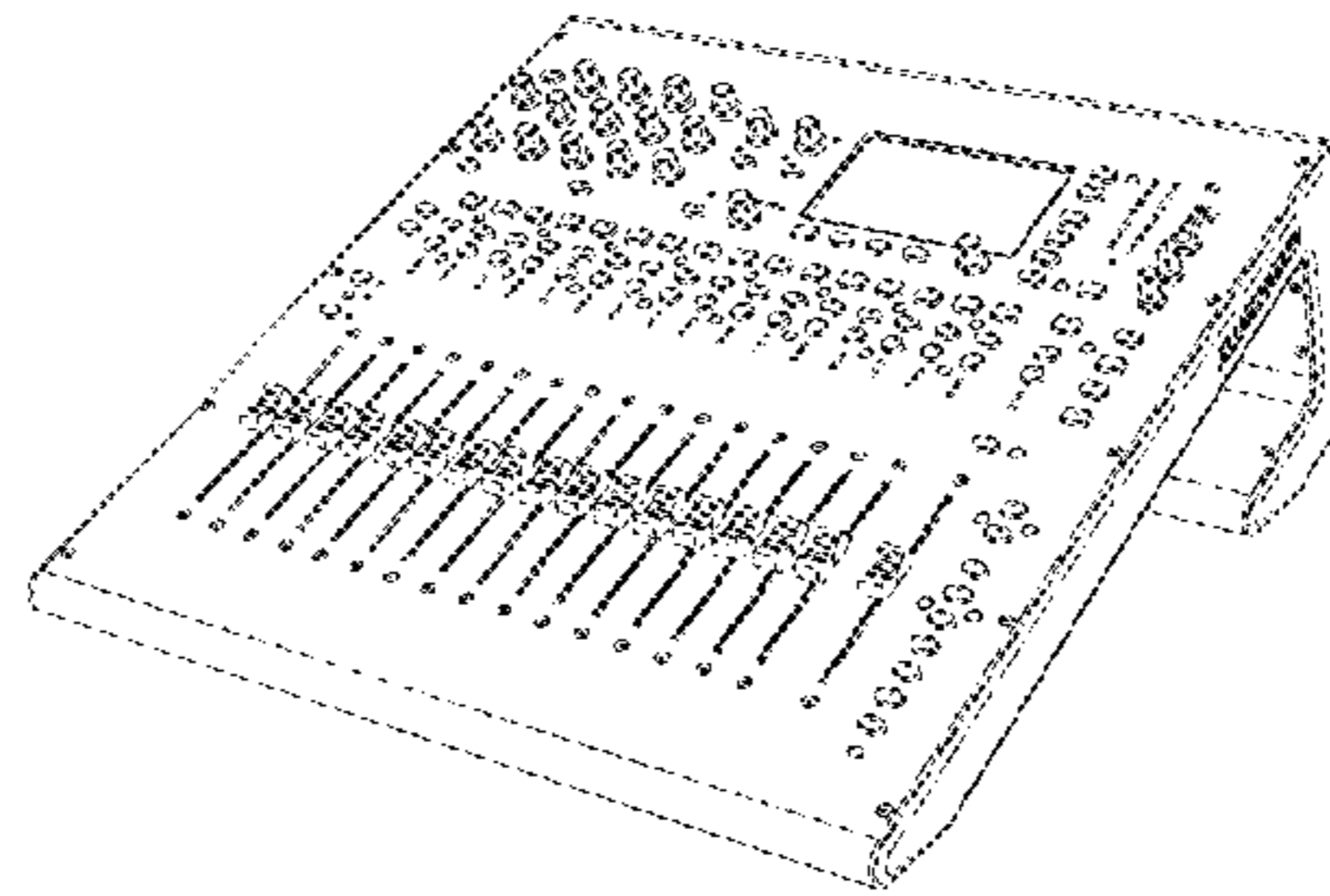
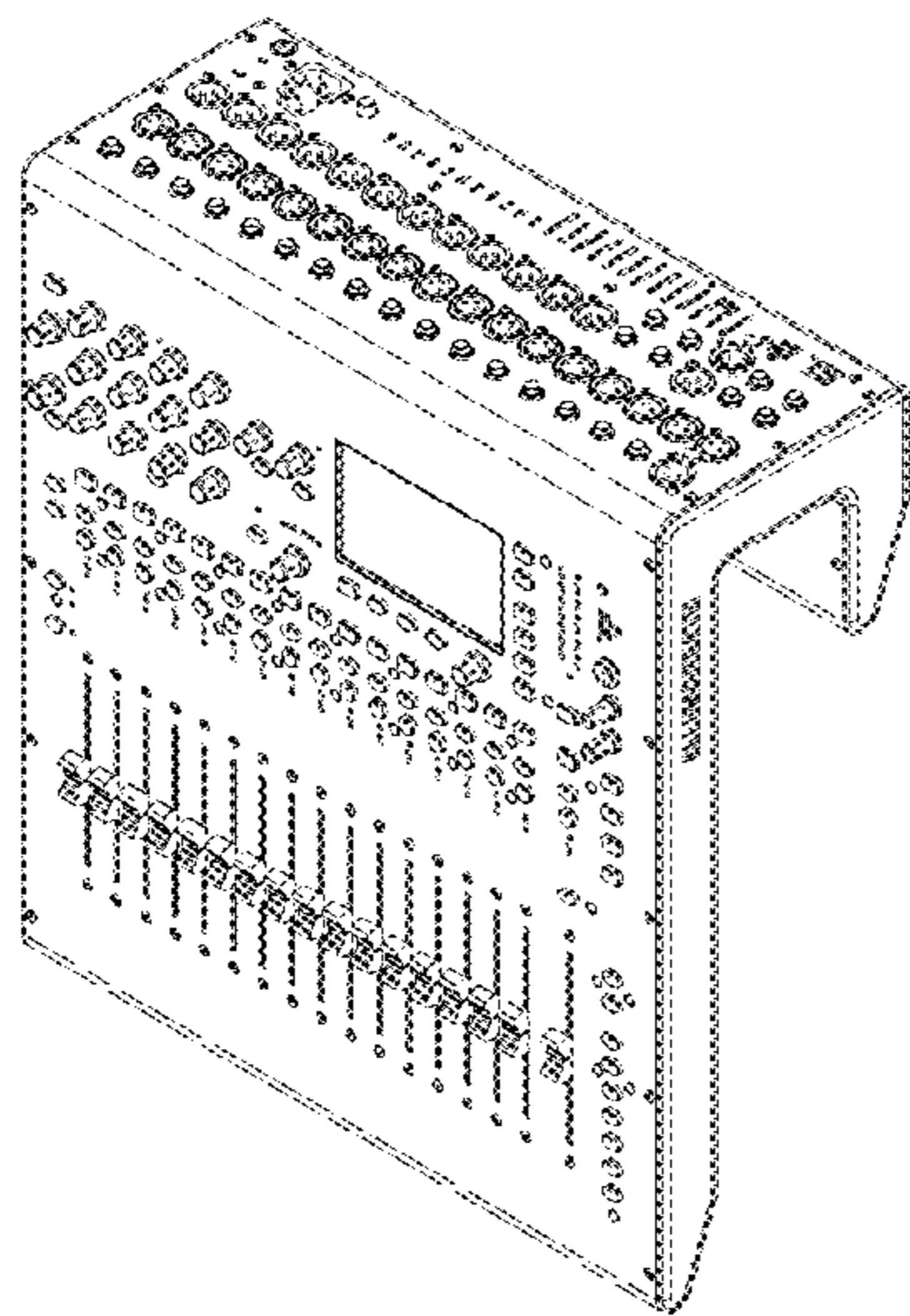
(57) **CLAIM**

The ornamental design for audio equipment, as shown and described.

DESCRIPTION

FIG. 1 is a front elevation view of the audio equipment showing our new design;
FIG. 2 is left side elevation view of the audio equipment of FIG. 1;
FIG. 3 is right side elevation view of the audio equipment of FIG. 1;
FIG. 4 is a top plan view of the audio equipment of FIG. 1;
FIG. 5 is a front, right, top perspective view of the audio equipment of FIG. 1;
FIG. 6 is a front, right, bottom perspective view of the audio equipment of FIG. 1;
FIG. 7 is a rear elevation view of the audio equipment of FIG. 1; and,
FIG. 8 is a bottom plan view of the audio equipment of FIG. 1.

1 Claim, 7 Drawing Sheets



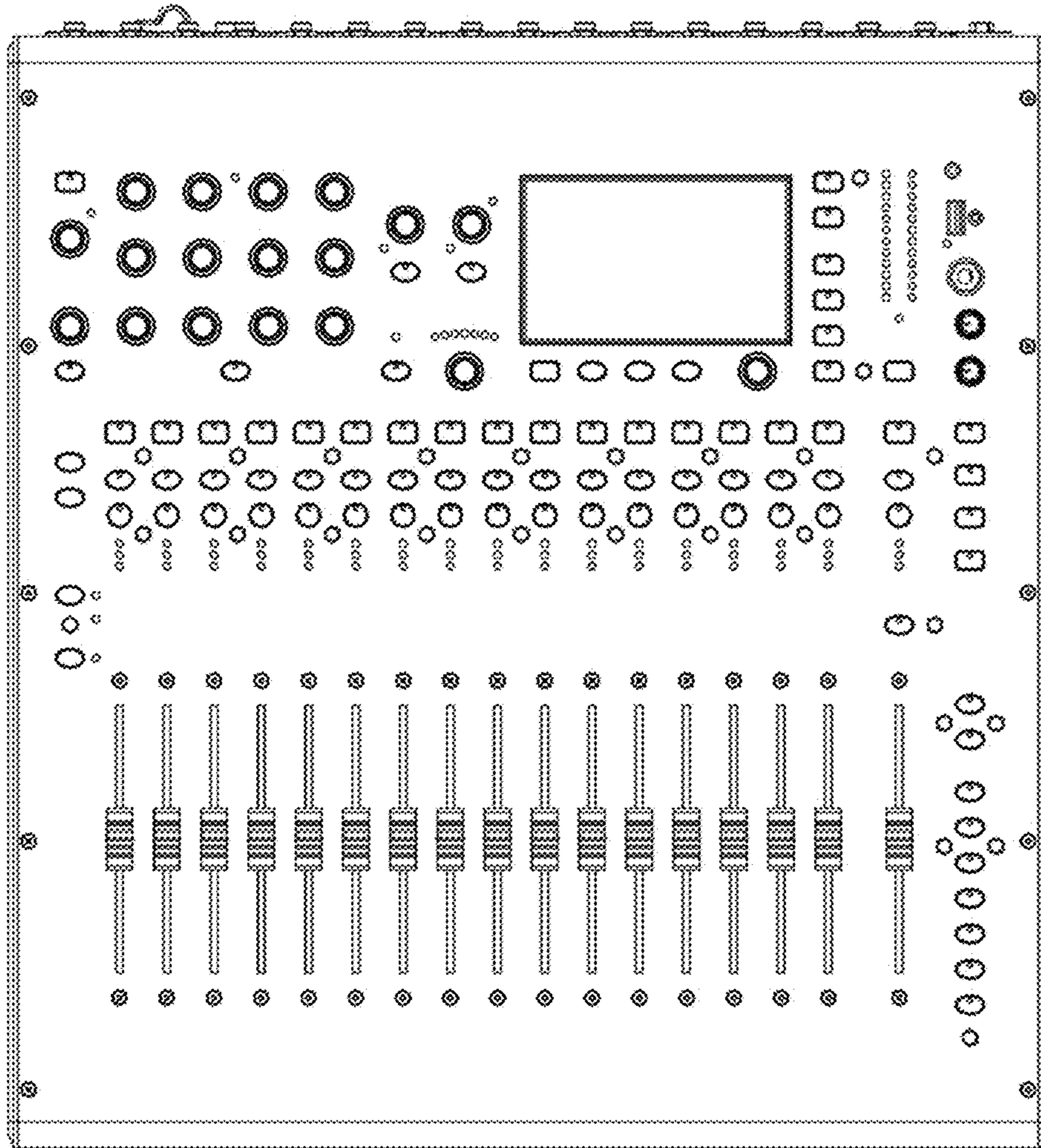


Fig. 1

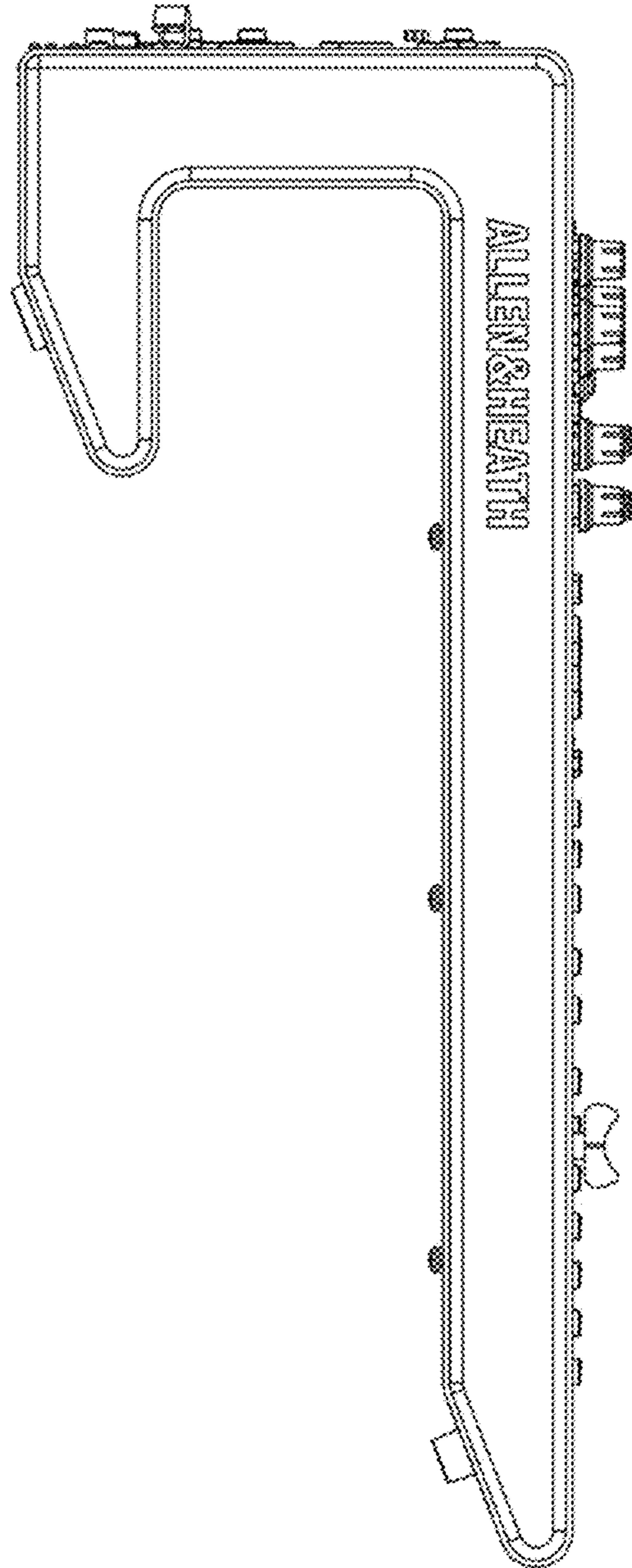


Fig. 2

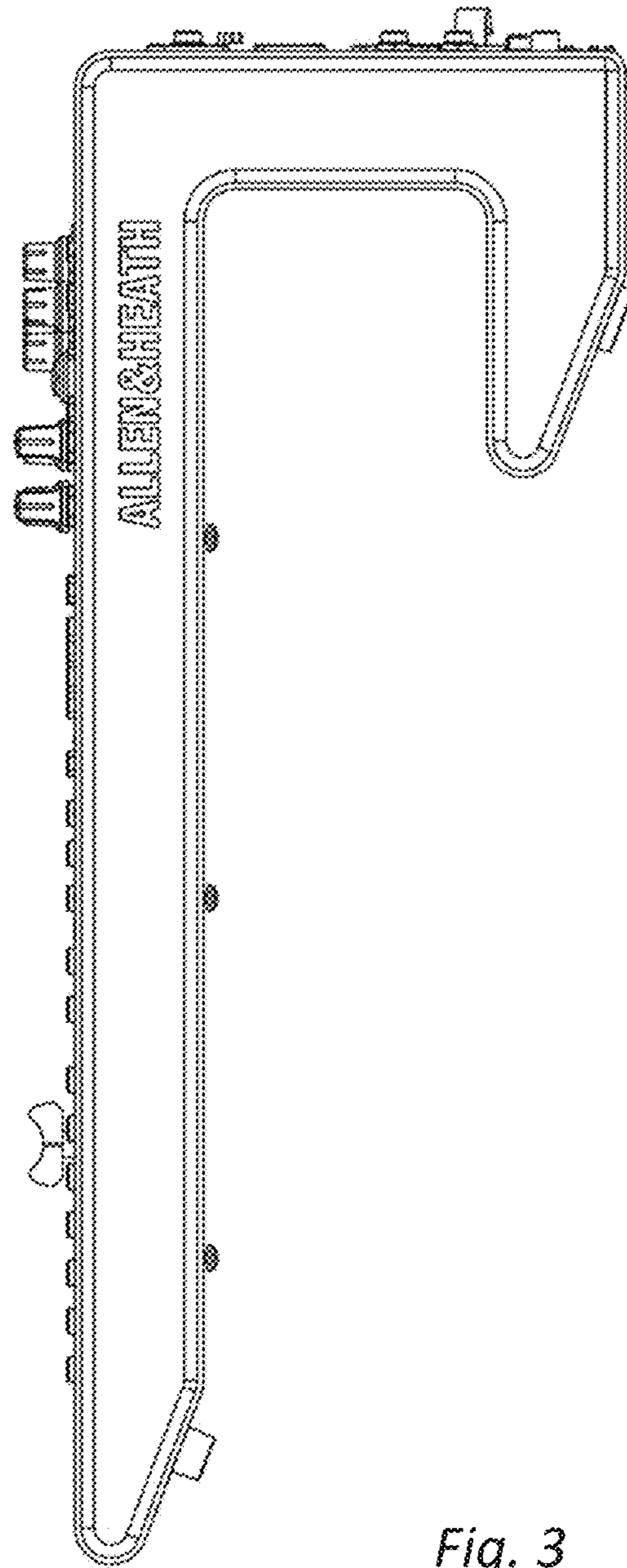


Fig. 3

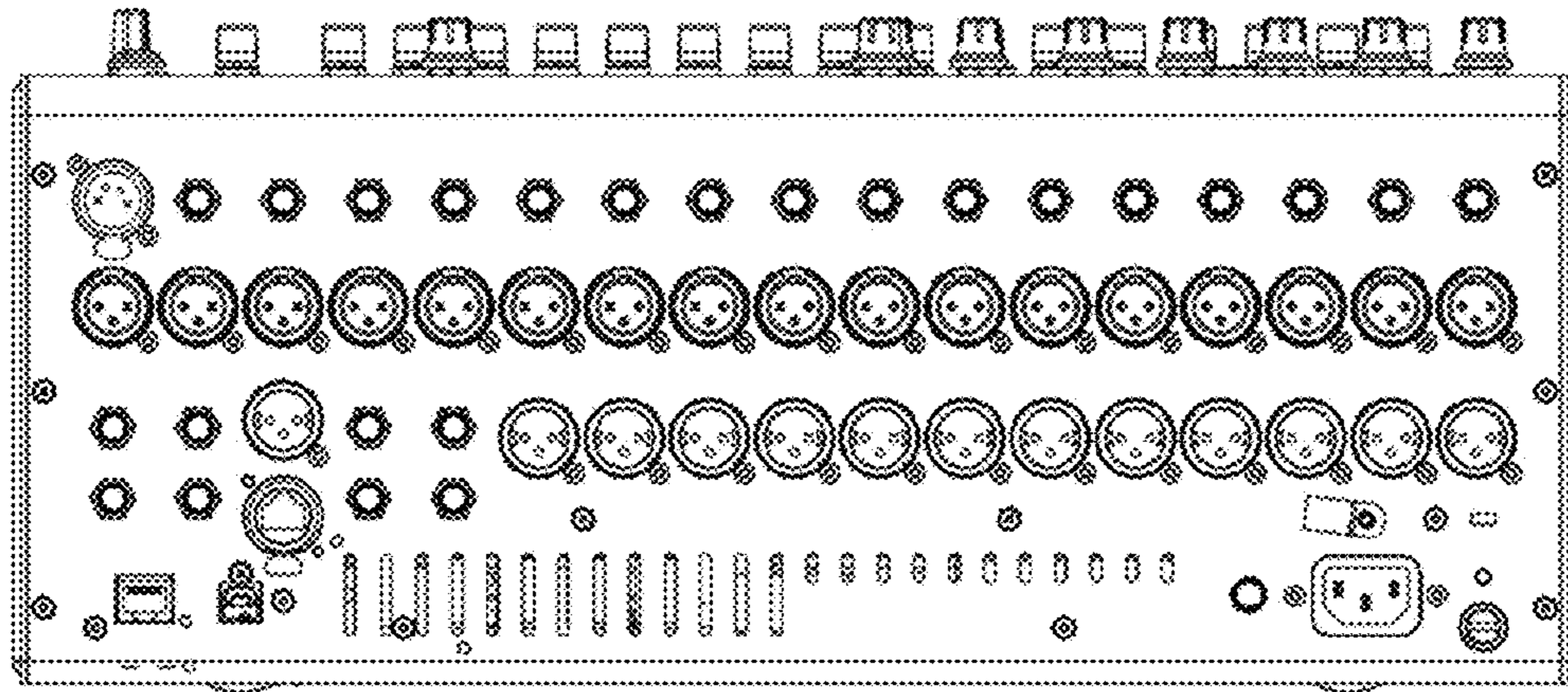


Fig. 4

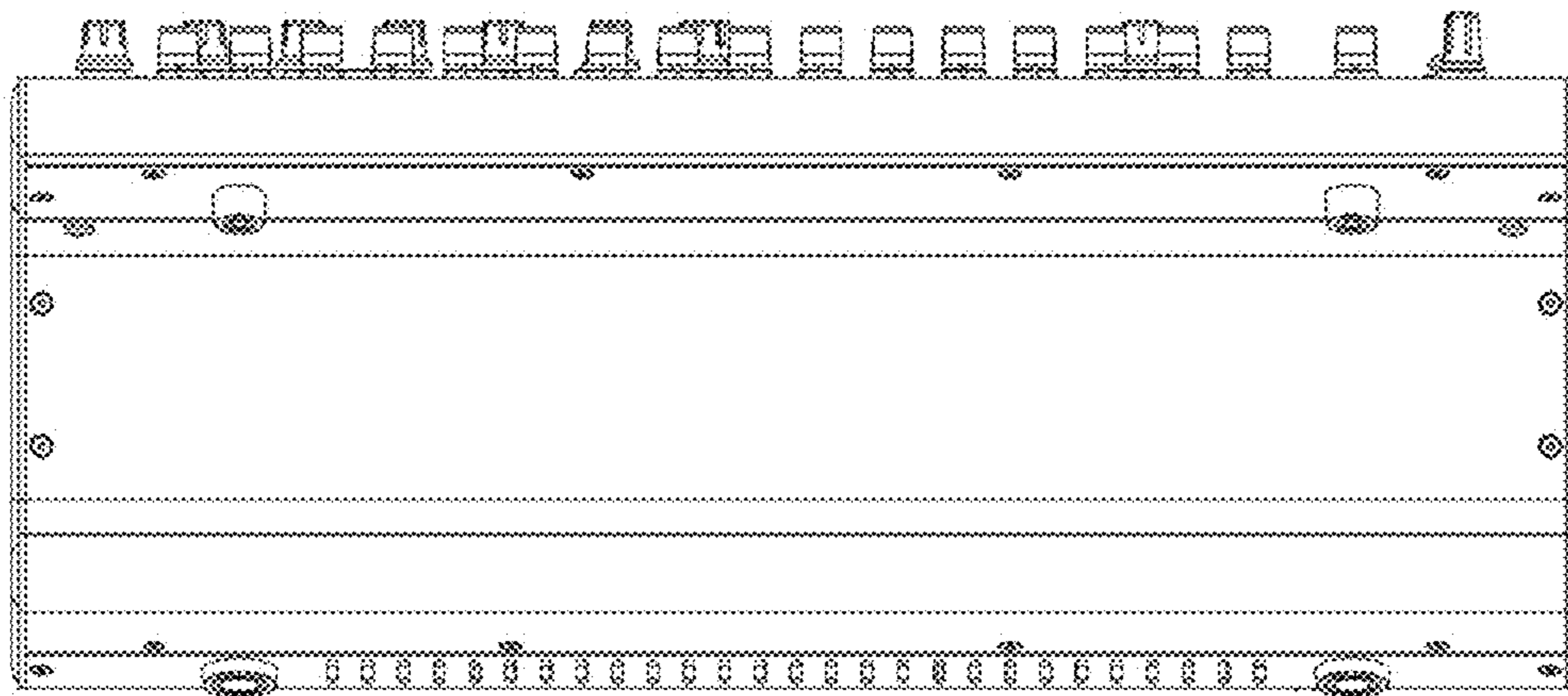


Fig. 8

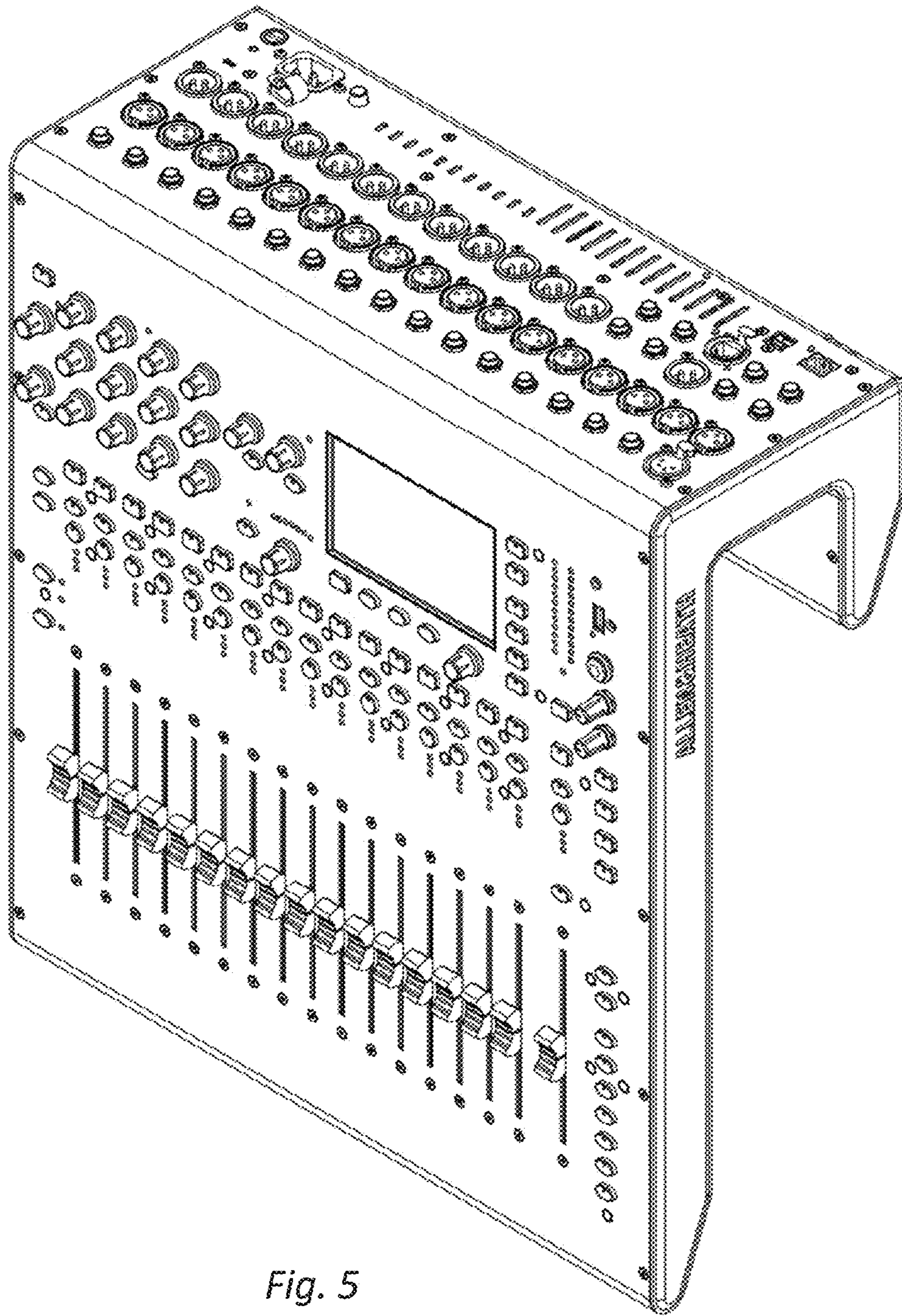


Fig. 5

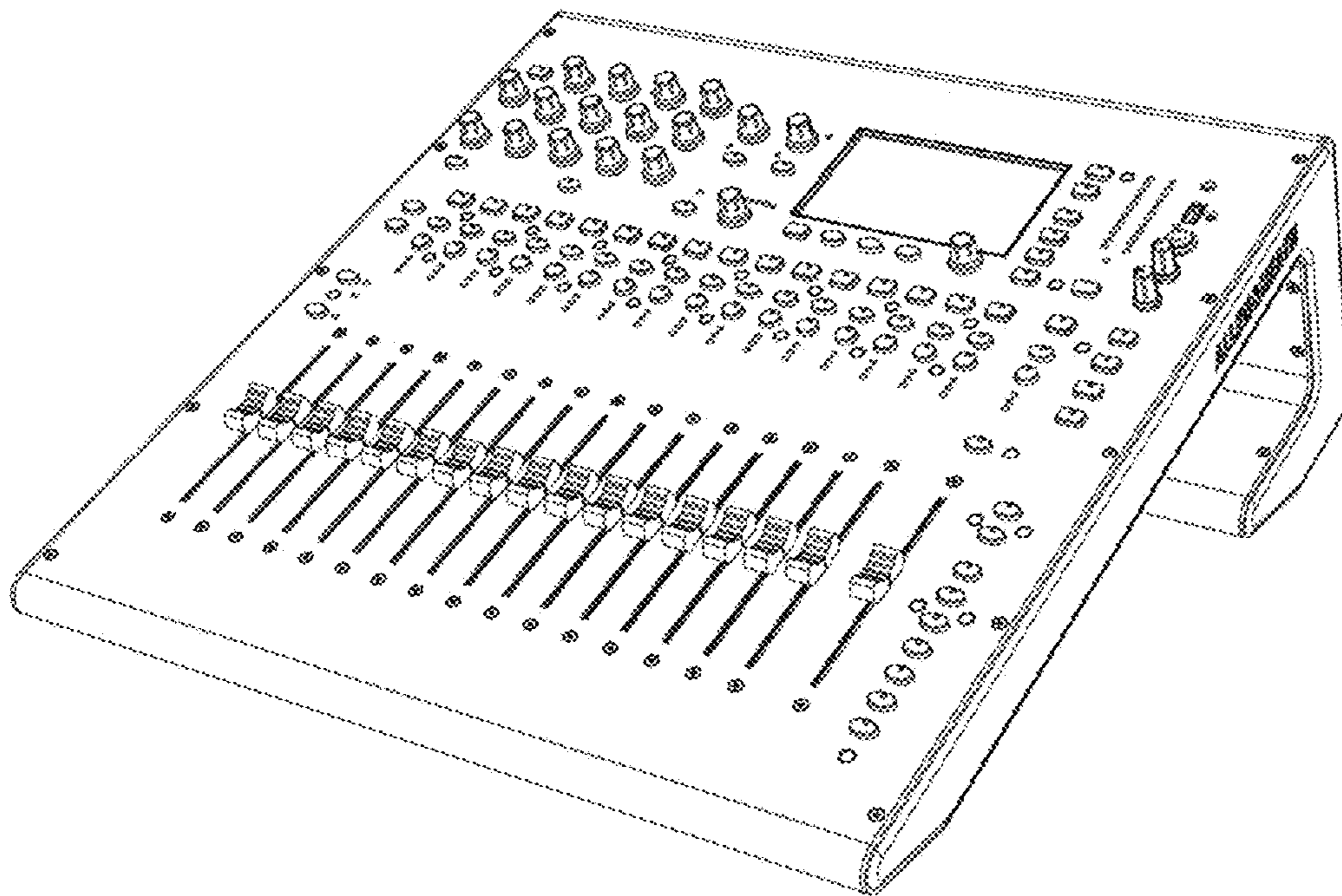


Fig. 6

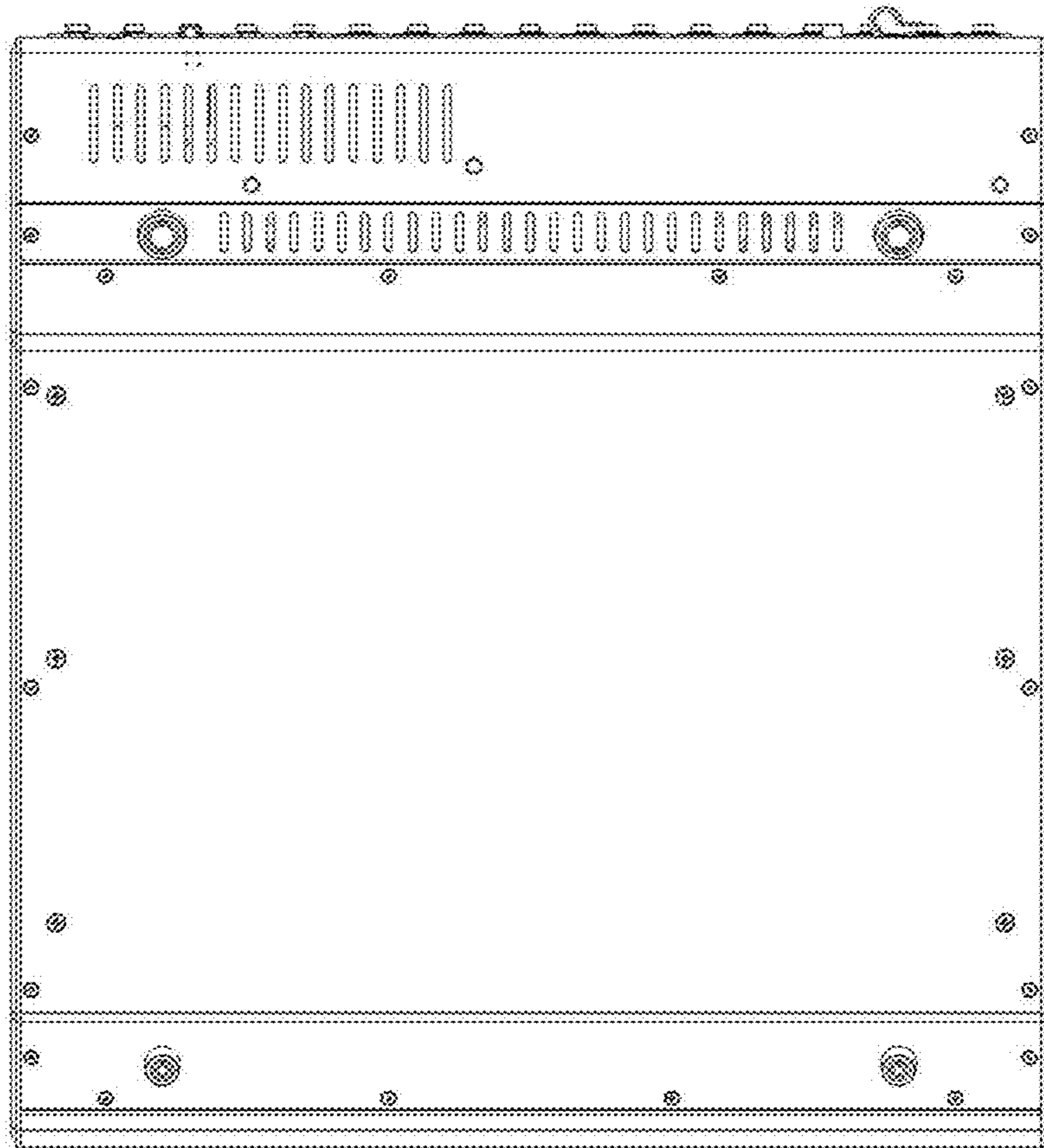


Fig. 7