



(12) **United States Design Patent**  
**Burlingame et al.**

(10) **Patent No.:** **US D721,061 S**  
(45) **Date of Patent:** **\*\* Jan. 13, 2015**

(54) **PLAYBACK DEVICE**

(71) Applicant: **Sonos, Inc.**, Santa Barbara, CO (US)  
(72) Inventors: **Gregory B. Burlingame**, Woburn, MA (US); **Mieko Kusano**, Santa Barbara, CA (US); **Wai-Loong Lim**, San Francisco, CA (US); **Jonathon Reilly**, Cambridge, MA (US); **Adrian Sesto**, Encino, CA (US)  
(73) Assignee: **Sonos, Inc.**, Santa Barbara, CA (US)

(\*\*) Term: **14 Years**

(21) Appl. No.: **29/446,524**

(22) Filed: **Feb. 25, 2013**

(51) **LOC (10) Cl.** ..... **14-03**

(52) **U.S. Cl.**  
USPC ..... **D14/216**

(58) **Field of Classification Search**  
CPC ..... H04M 1/03; H04M 1/035; H04R 1/02; H04R 1/06; H04R 1/021; H04R 1/025; H04R 1/026; H04R 1/105; H04R 1/323; H04R 1/345; H04R 1/403; H04R 1/2803; H04R 1/2834; H04R 5/02; H04R 7/20; H04R 9/06; H04R 9/025; H04R 2201/021; H04R 2400/07; H04R 2499/11; H04R 2499/13; H04R 2499/15; G06F 1/1688; H04N 5/642; H04N 21/4852; H04S 3/00; H04S 7/30; B60R 11/0217  
USPC ..... D14/167, 168, 170–172, 188, 194–196, D14/204, 207, 209.1, 210–216, 219, 221, D14/222, 224, 496; 181/143, 144, 147, 148, 181/150, 153, 157, 198, 199; 381/300–303, 381/306, 332, 333, 336, 345, 361–364, 381/386–388; 369/6–12

See application file for complete search history.

(56) **References Cited**

U.S. PATENT DOCUMENTS

D674,778 S \* 1/2013 Skurdal ..... D14/214  
D675,190 S \* 1/2013 Nylen ..... D14/215

(Continued)

OTHER PUBLICATIONS

CNET Reviews, "Definitive Technology Sound Cylinder: Definitive rolls out slick Sound Cylinder Bluetooth speaker," [http://reviews.cnet.com/portable-speakers/definitive-technology-sound-cylinder/4505-11313\\_7-35566924.html](http://reviews.cnet.com/portable-speakers/definitive-technology-sound-cylinder/4505-11313_7-35566924.html) (Last Accessed Feb. 25, 2013), 5 pages.

(Continued)

*Primary Examiner* — Keli L Hill

(74) *Attorney, Agent, or Firm* — Hanley, Flight & Zimmerman, LLC

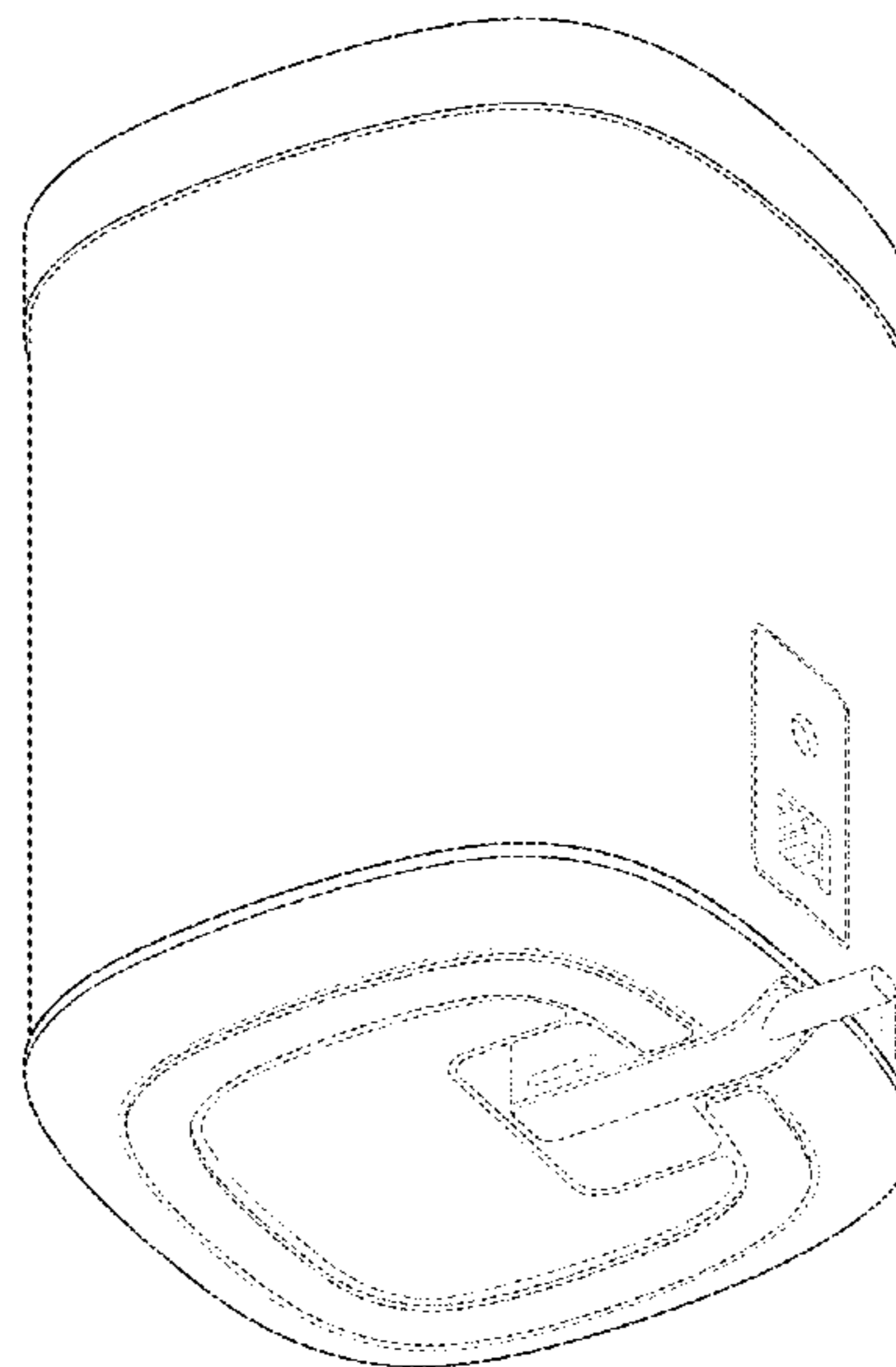
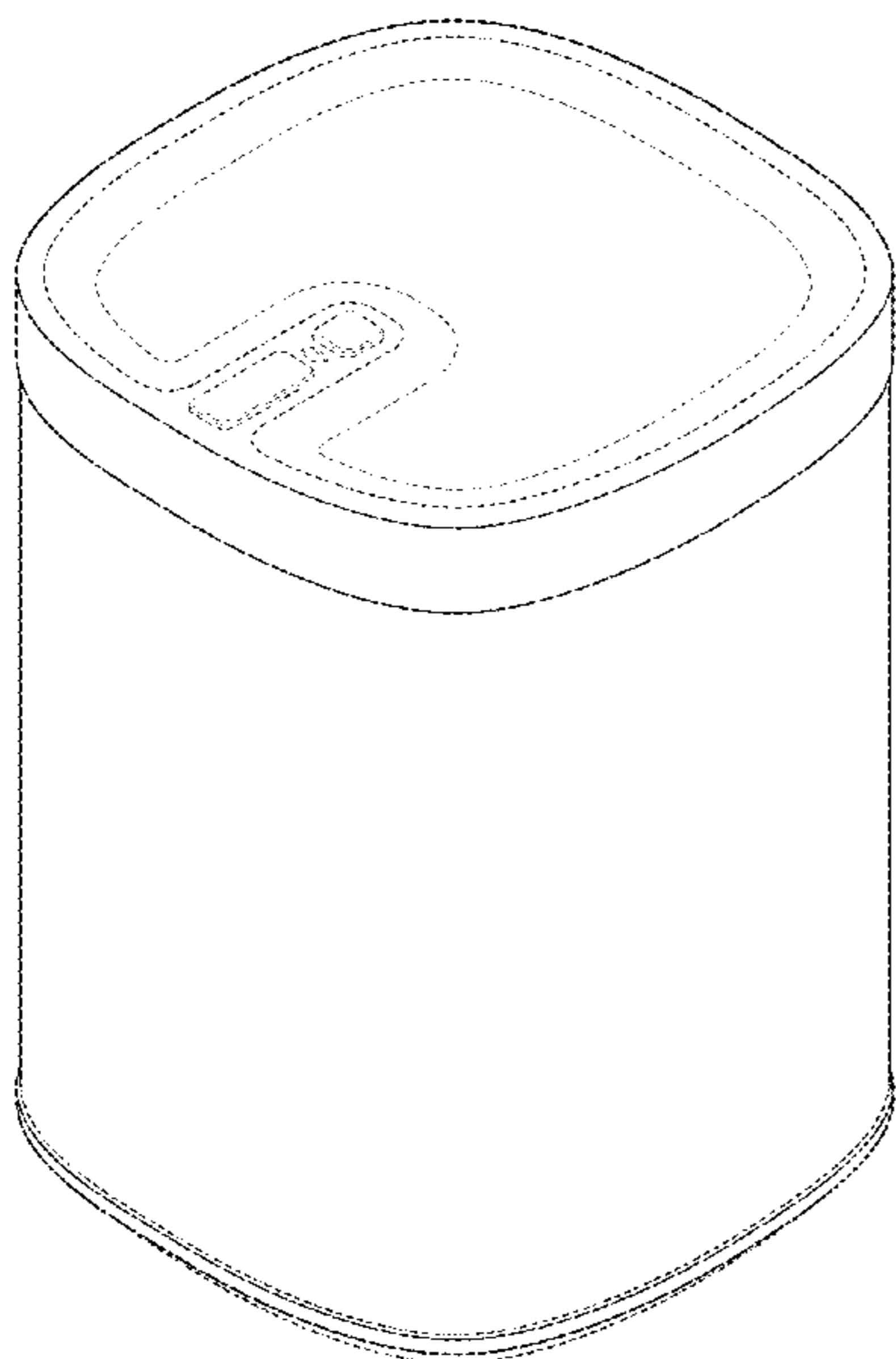
(57) **CLAIM**

The ornamental design for a playback device, as shown and described.

**DESCRIPTION**

FIG. 1 is an isometric view of a playback device.  
FIG. 2 is another isometric view of the playback device of FIG. 1.  
FIG. 3 is a side view of the playback device of FIG. 1.  
FIG. 4 is another side view of the playback device of FIG. 1.  
FIG. 5 is another side view of the playback device of FIG. 1.  
FIG. 6 is another side view of the playback device of FIG. 1.  
FIG. 7 is a top view of the playback device of FIG. 1; and, FIG. 8 is a bottom view of the playback device of FIG. 1.  
The broken lines shown are included for the purpose of illustrating portions of the playback device that form no part of the claim.

**1 Claim, 5 Drawing Sheets**



(56)

**References Cited**

U.S. PATENT DOCUMENTS

D692,860 S \* 11/2013 Paterson ..... D14/214  
D695,711 S \* 12/2013 Szymanski et al. .... D14/214

OTHER PUBLICATIONS

Ali Express, "Kadaer Cylinder Mini," [http://www.aliexpress.com/store/group/audio/113449\\_211742368.html](http://www.aliexpress.com/store/group/audio/113449_211742368.html) (Last Accessed Feb. 25, 2013), 2 pages.

Google Search, "B&W MM-1 Speakers—PC multimedia—wired" <https://www.google.com/shopping/product/>

11800561382655422863?q=Bowers%20&%20Wilkins=&oq=Bowers+%26+Wilkins&gs\_l=products-cc.3..0110.71820.76179.0.76394.16.5.0.11.11.0.129.354.4j1.5.0...0.0...1ac.1.4.products-cc. kgnKwdwrwO0&sa=X&ei=VMsnUZyWLunomAWSuYC4Dg&ved=0CGkQ8w1wAA (Last Accessed Feb. 25, 2013), 3 pages.  
Yamamoto, Mike, "Some speakers are still firing on all cylinders." CNET Reviews, [http://news.cnet.com/8301-17938\\_105-9829130-1.html](http://news.cnet.com/8301-17938_105-9829130-1.html), Dec. 5, 2007, 6 pages.  
Trei, Michael, "RAAL Speakers fill your room with cylinders of sound," DVICE, <http://www.dvice.com/archives/2009110/raal-speakers-f.php>, Oct. 4, 2009, 3 pages.

\* cited by examiner

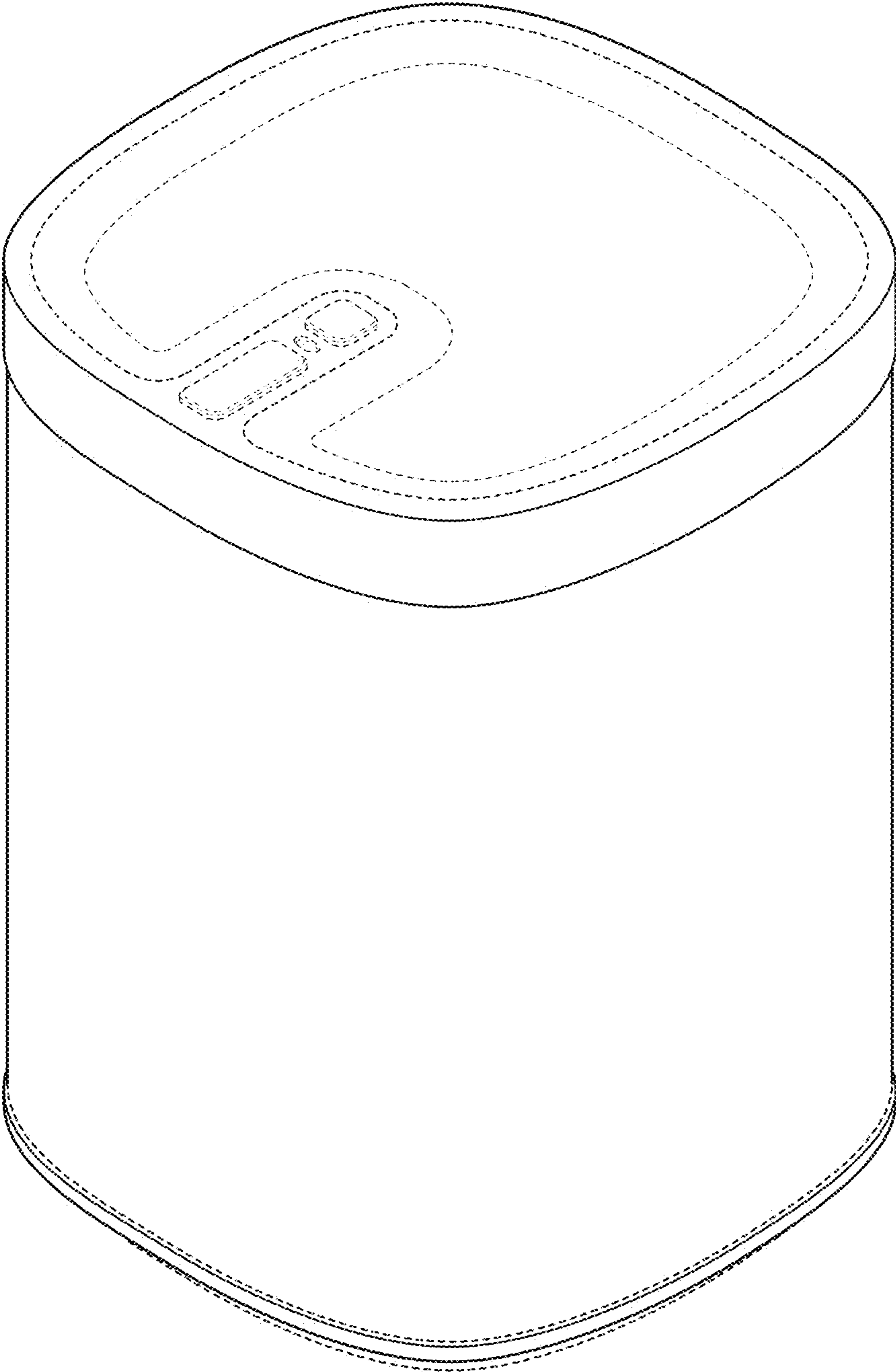


FIG. 1

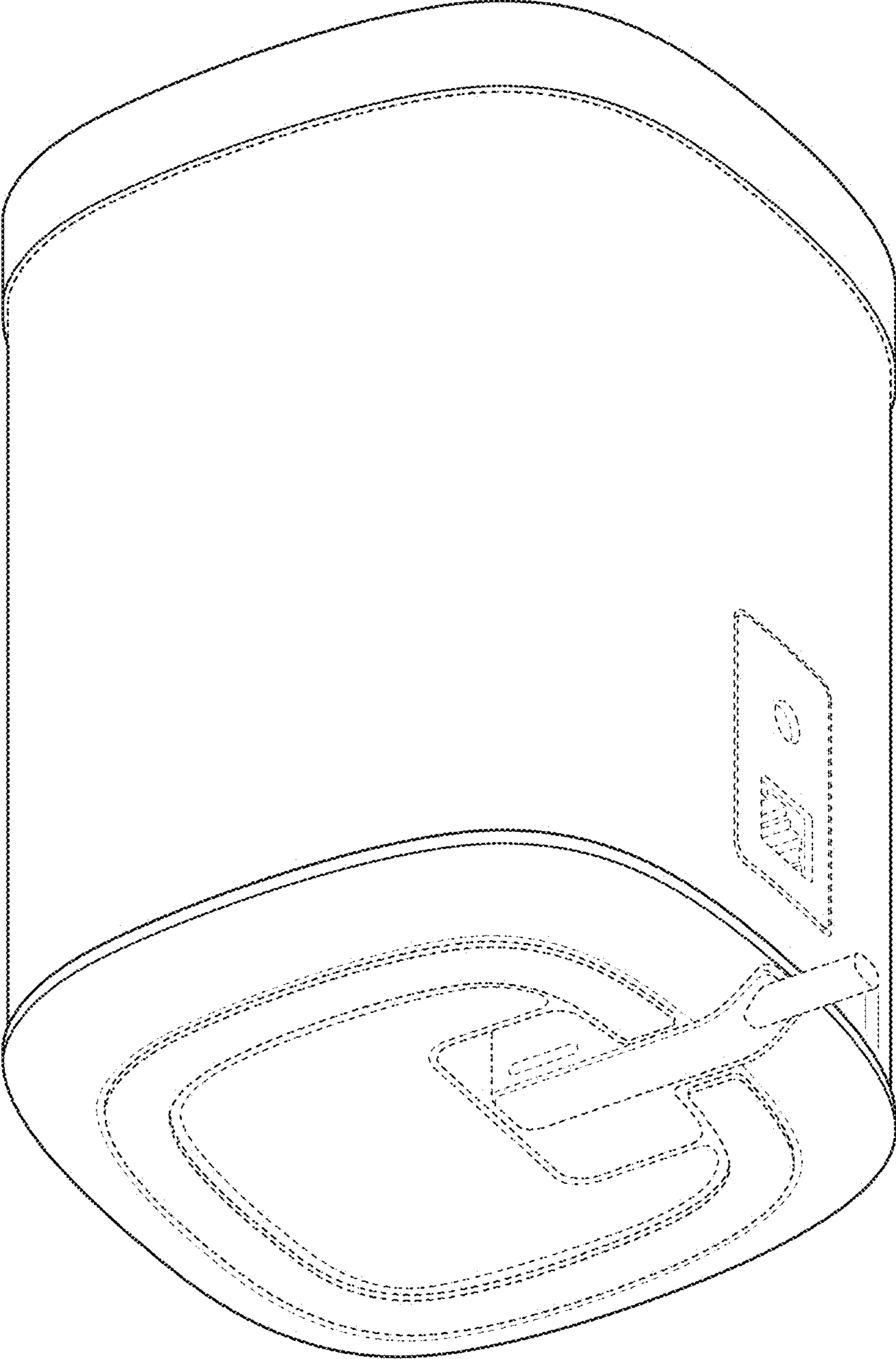


FIG. 2

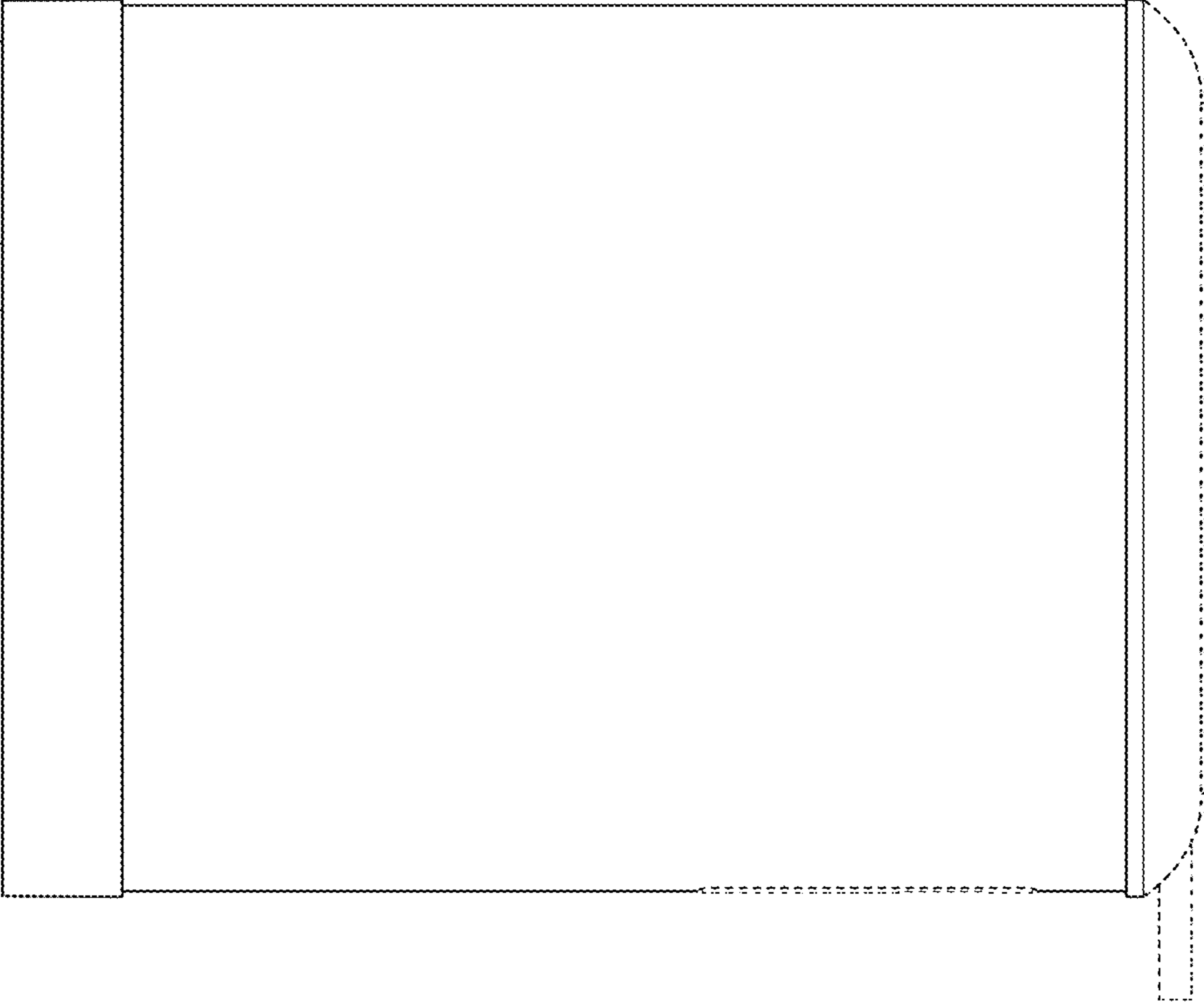


FIG. 4

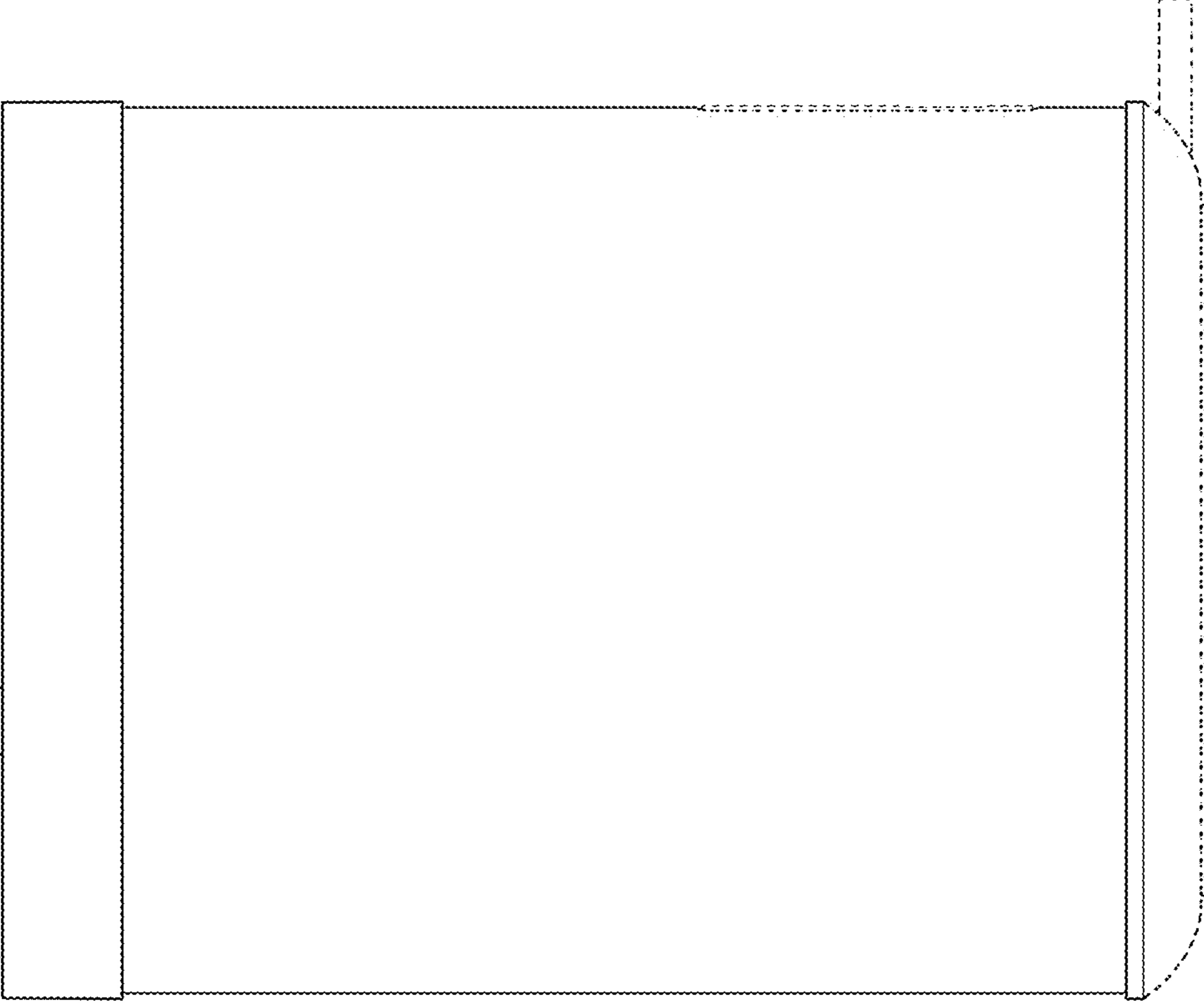


FIG. 3

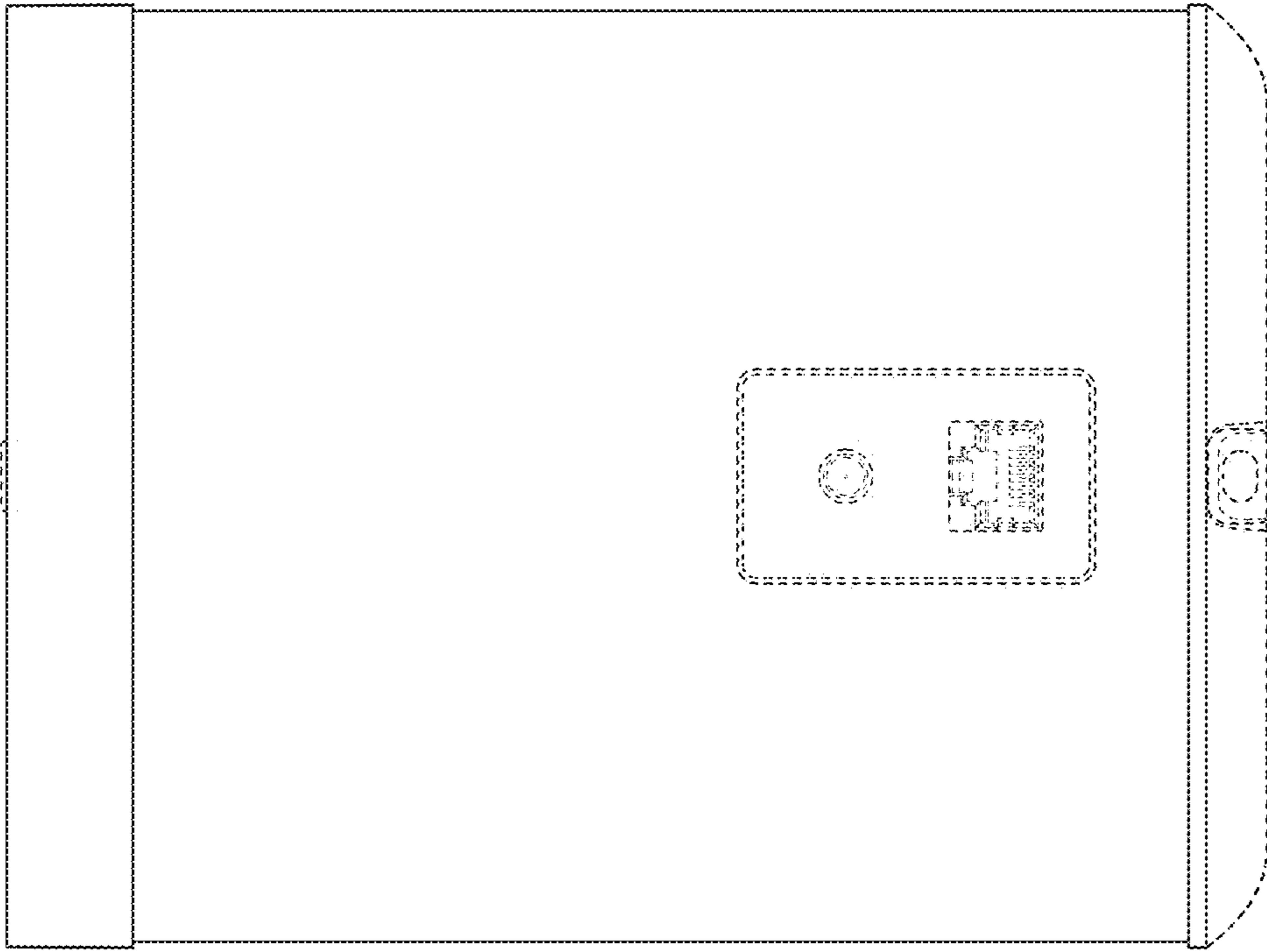


FIG. 6



FIG. 5

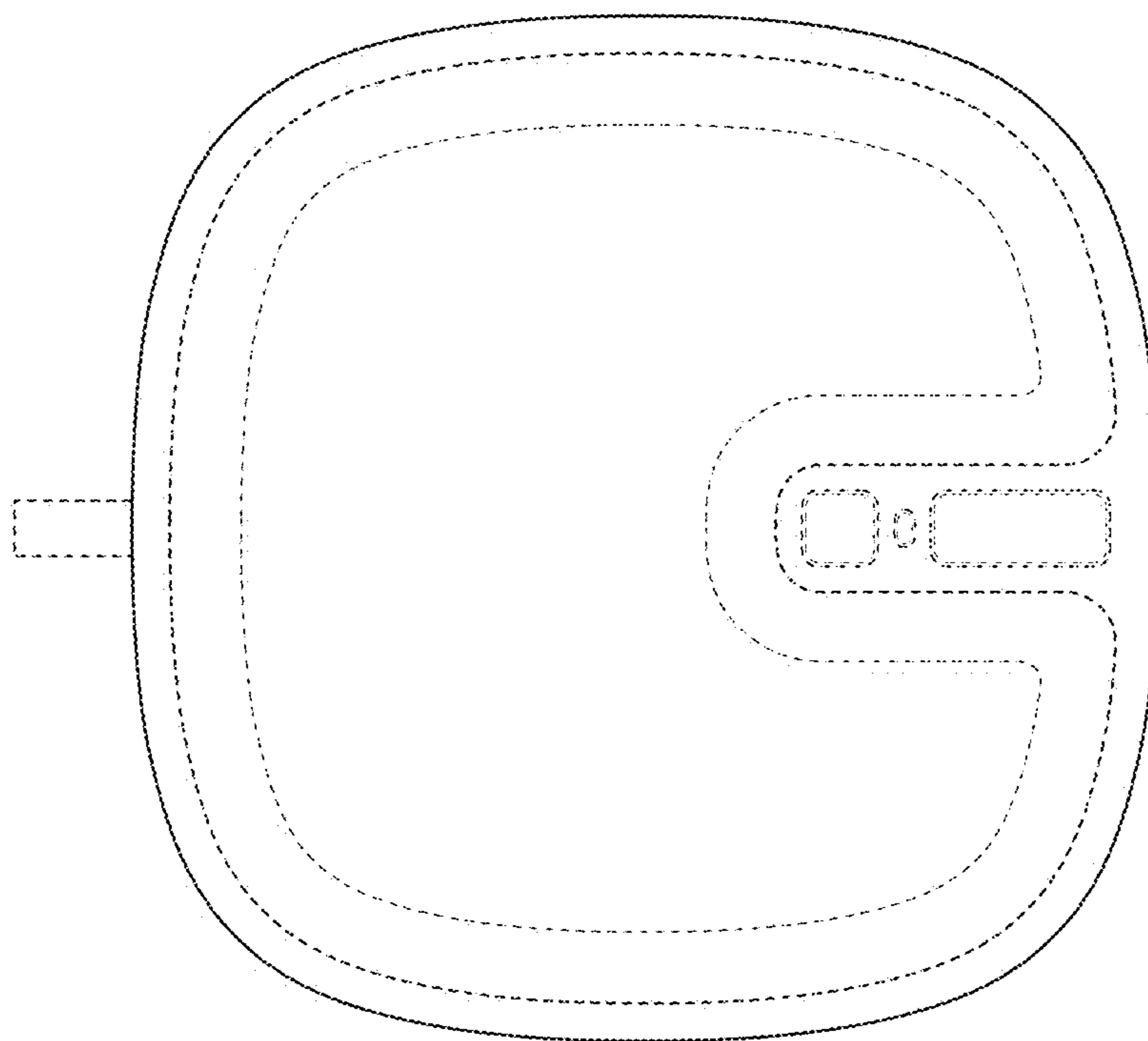


FIG. 7

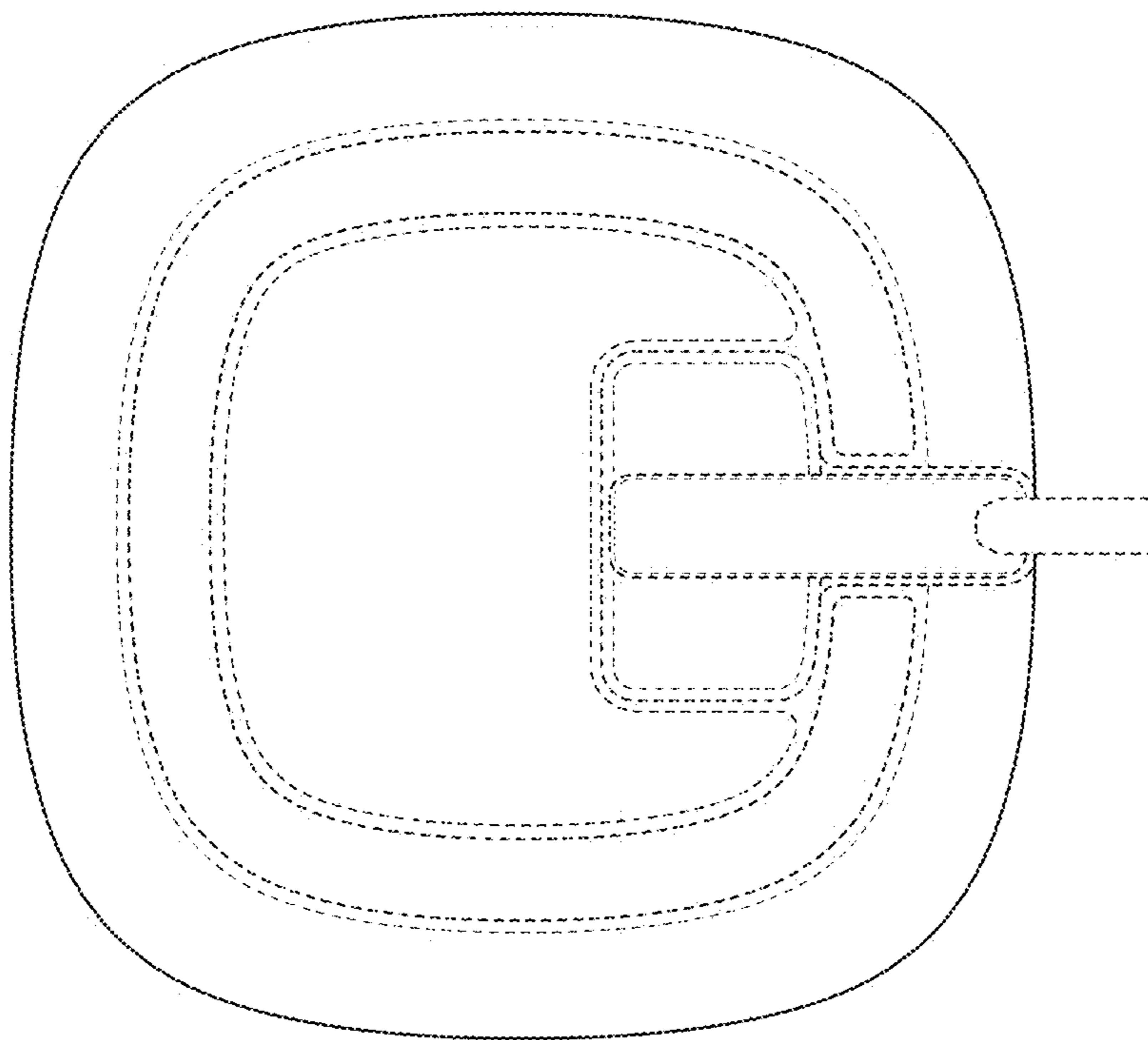


FIG. 8