



US00D721060S

(12) **United States Design Patent**
Komagamine

(10) **Patent No.:** **US D721,060 S**
(45) **Date of Patent:** **** Jan. 13, 2015**

(54) **SPEAKER FOR AUTOMOBILE**

(75) Inventor: **Masanori Komagamine**, Kanagawa (JP)

(73) Assignee: **Pioneer Corporation**, Kawasaki-shi,
Kanagawa (JP)

(**) Term: **14 Years**

(21) Appl. No.: **29/431,439**

(22) Filed: **Sep. 7, 2012**

(30) **Foreign Application Priority Data**

Apr. 16, 2012 (JP) 2012-008891

(51) **LOC (10) Cl.** **14-01**

(52) **U.S. Cl.**
USPC **D14/216**

(58) **Field of Classification Search**

USPC D14/155, 158, 159, 168, 171, 172, 188,
D14/196, 204, 207, 209.1, 210-215,
D14/219-222, 224, 265, 299, 433, 496, 498,
D14/500, 509; 181/143, 144, 147, 148,
181/150-153, 157, 198, 199; 381/300-303,
381/306, 332, 333, 336, 345, 361-364,
381/386-388; 455/344-351

See application file for complete search history.

(56) **References Cited**

U.S. PATENT DOCUMENTS

D264,209 S * 5/1982 Ishizaki D14/215
D291,988 S * 9/1987 Ishizaki D14/215
D362,442 S * 9/1995 Goldfarb D14/216
5,512,714 A * 4/1996 Fenton 181/144
D440,557 S * 4/2001 Su D14/215
D652,408 S * 1/2012 Chen D14/216

FOREIGN PATENT DOCUMENTS

JP 1269160 S 4/2006
JP 1318645 S 1/2008

(Continued)

OTHER PUBLICATIONS

Pioneer Sound.Vision.Soul, Immerse Yourself (Audio, Visual, Navigation) Mobile Entertainment 2007; <http://www.pioneerelectronics.com>.

(Continued)

Primary Examiner — Stella Reid

Assistant Examiner — Janice Lim

(74) *Attorney, Agent, or Firm* — Drinker Biddle & Reath LLP

(57) **CLAIM**

The ornamental design for a speaker for automobile, as shown and described.

DESCRIPTION

FIG. 1 is a front, right side, bottom perspective view of a speaker for automobile, showing my new design;

FIG. 2 is a front view thereof;

FIG. 3 is a partially enlarged front view thereof, taken along the lines 3-3 of FIG. 1;

FIG. 4 is a partially enlarged front view thereof, taken along the lines 4-4 of FIG. 2;

FIG. 5 is a cross section view thereof, taken along the lines 5-5 of FIG. 4;

FIG. 6 is a rear view thereof;

FIG. 7 is a top view thereof;

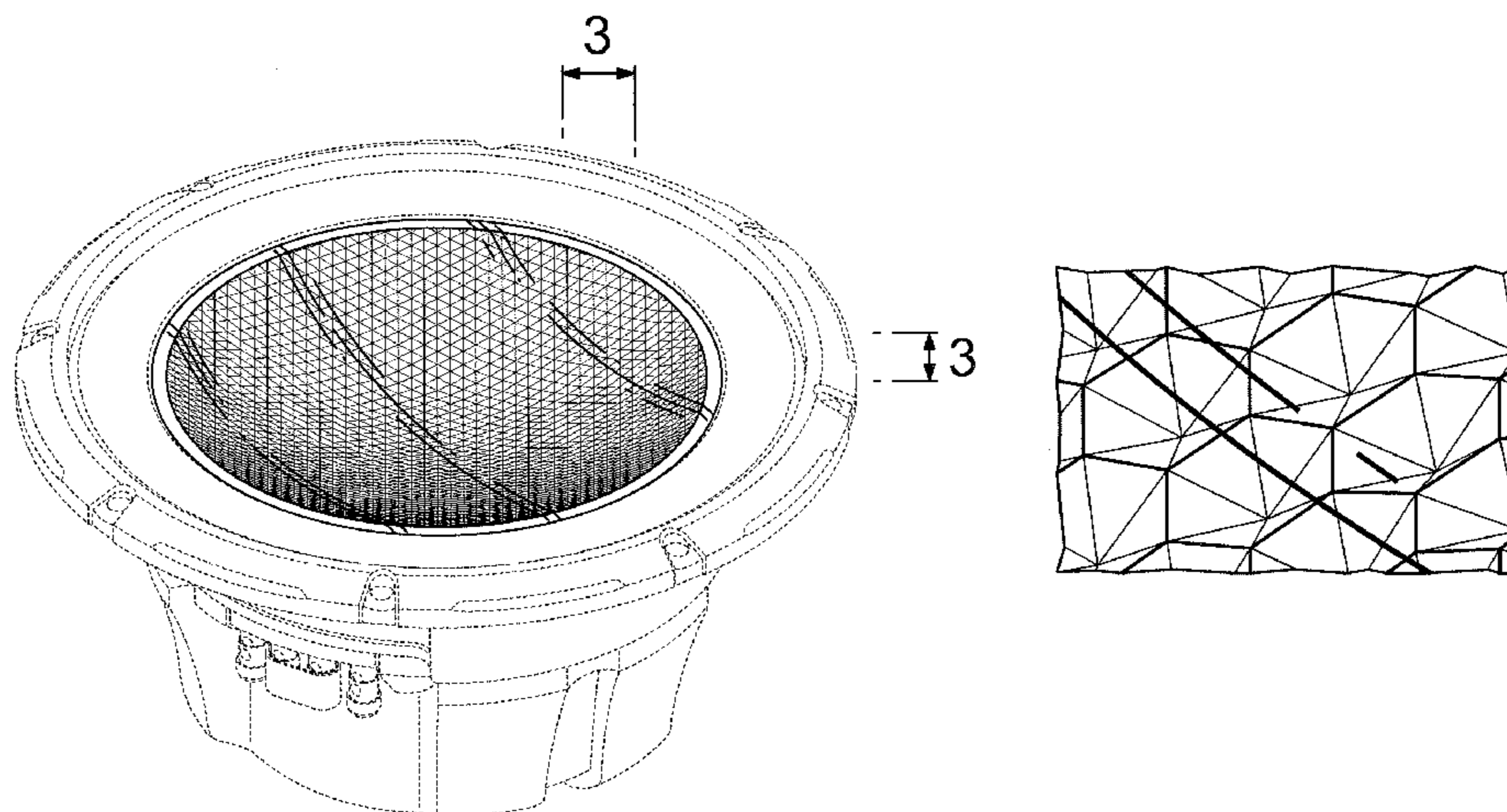
FIG. 8 is a bottom view thereof;

FIG. 9 is a left side view thereof; and,

FIG. 10 is a right side view thereof.

The broken lines showing of the speaker for automobile is included for the purpose of illustrating unclaimed portions of the speaker for automobile and forms no part of the claimed design.

1 Claim, 6 Drawing Sheets



(56)

References Cited

OTHER PUBLICATIONS

FOREIGN PATENT DOCUMENTS

JP	1329052 S	5/2008
JP	1348902 S	1/2009
JP	1437887 S	4/2012
JP	1437888 S	4/2012
KR	300608148	* 8/2011

Pioneer Sound.Vision.Soul, Premier (Advanced Techonology by Pioneer), 2006 Mobile Entertainment & Navigation Systems. <http://www.pioneerelectronics.com>.

* cited by examiner

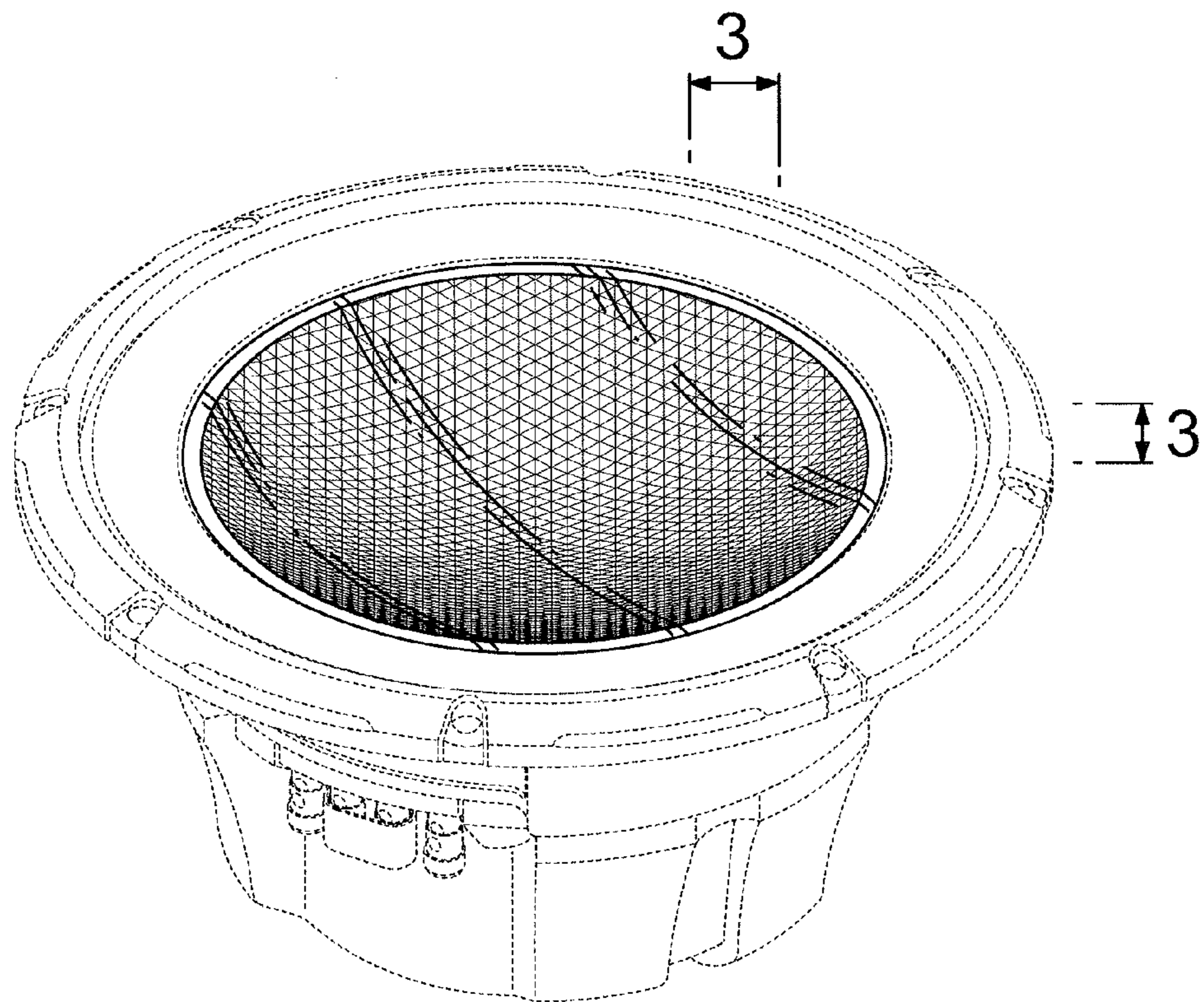


FIG. 1

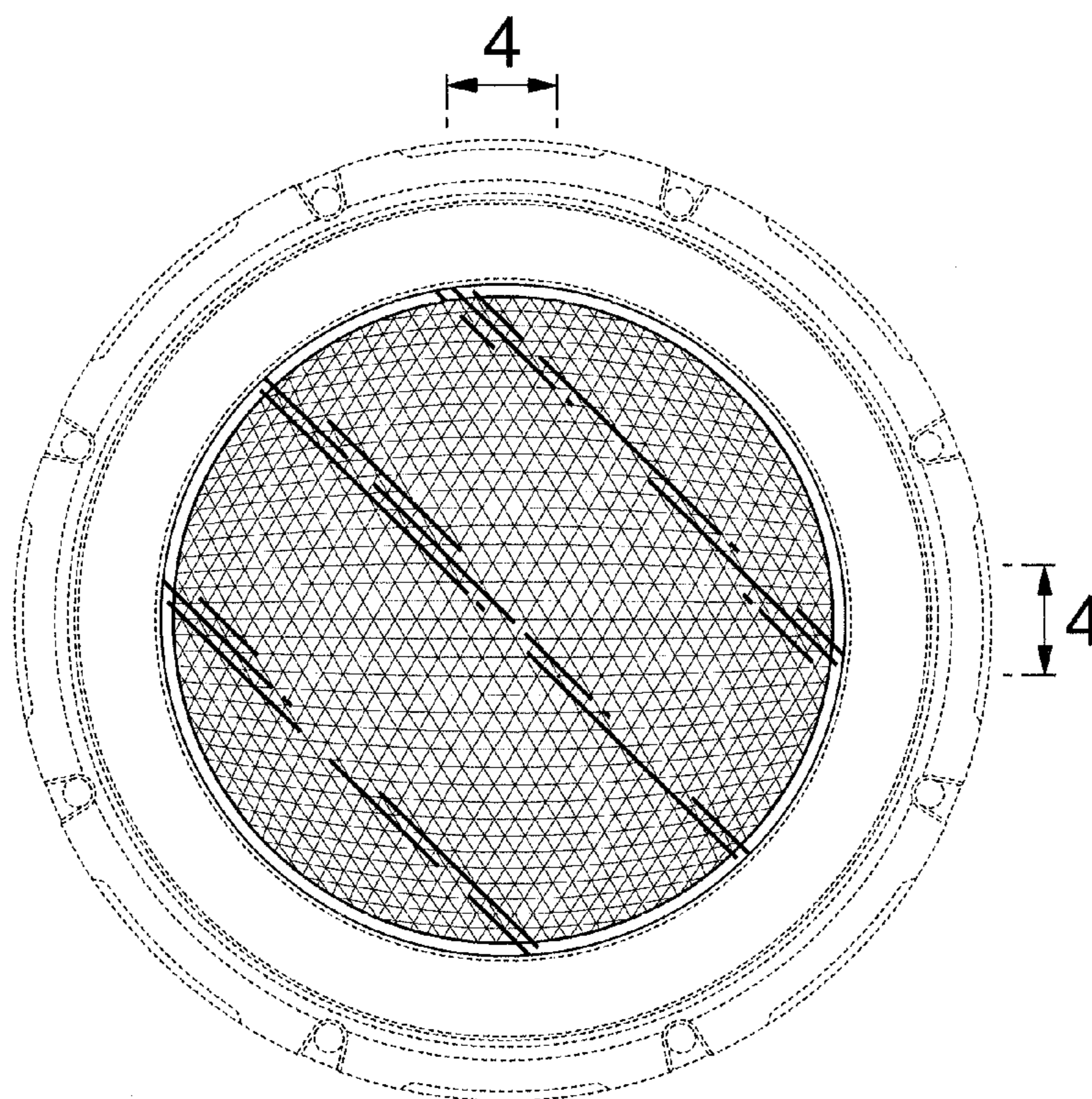


FIG. 2

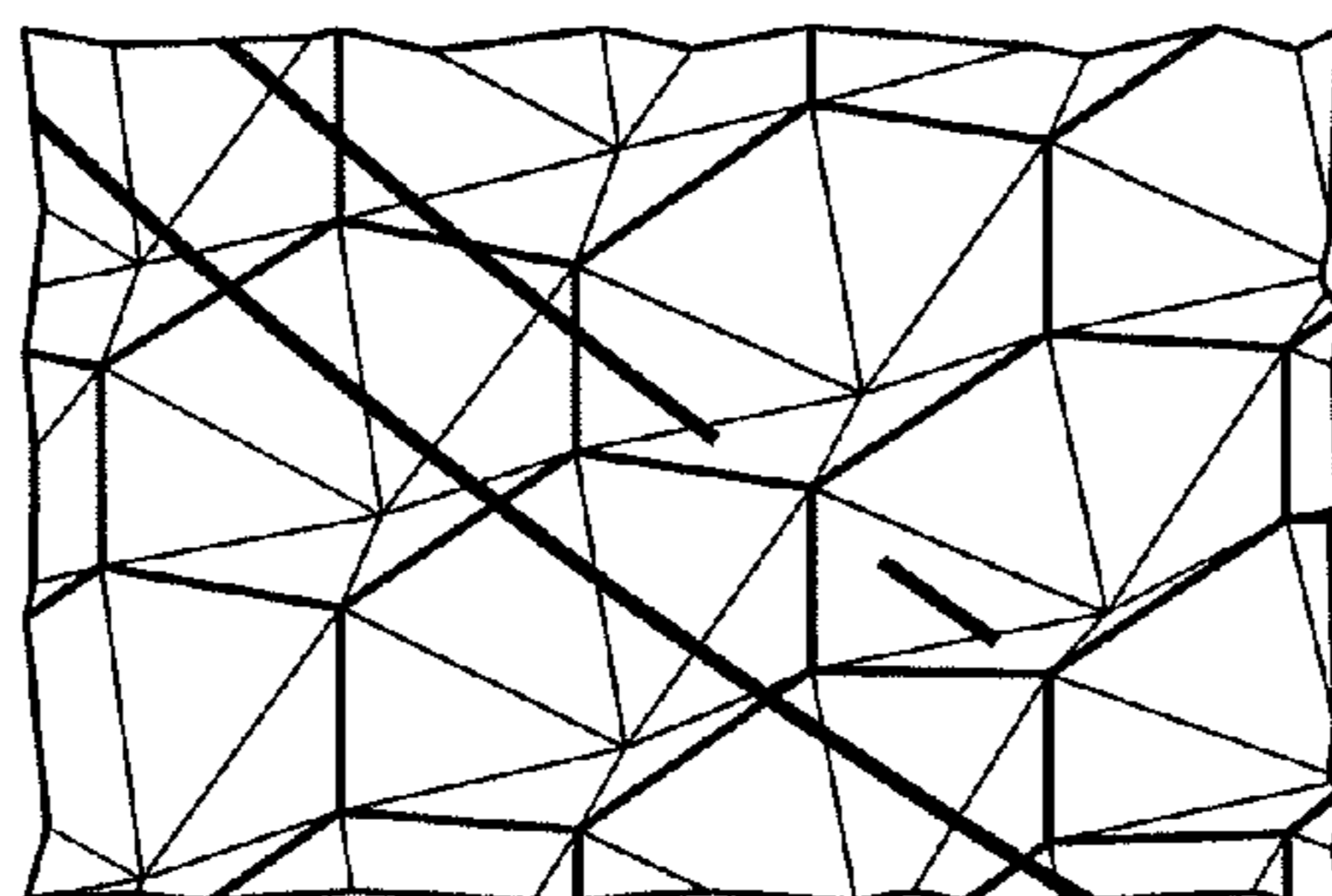


FIG. 3

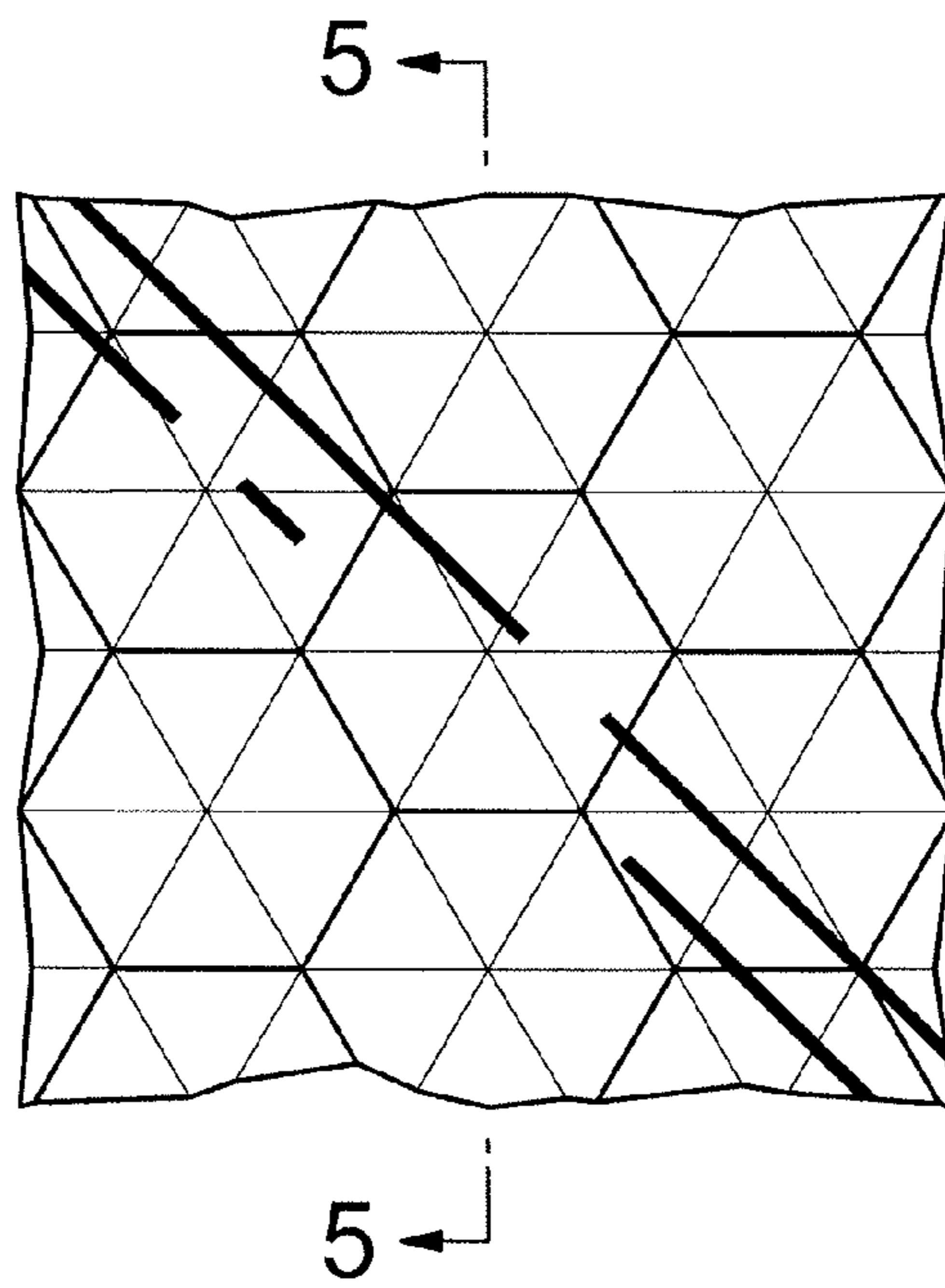


FIG. 4

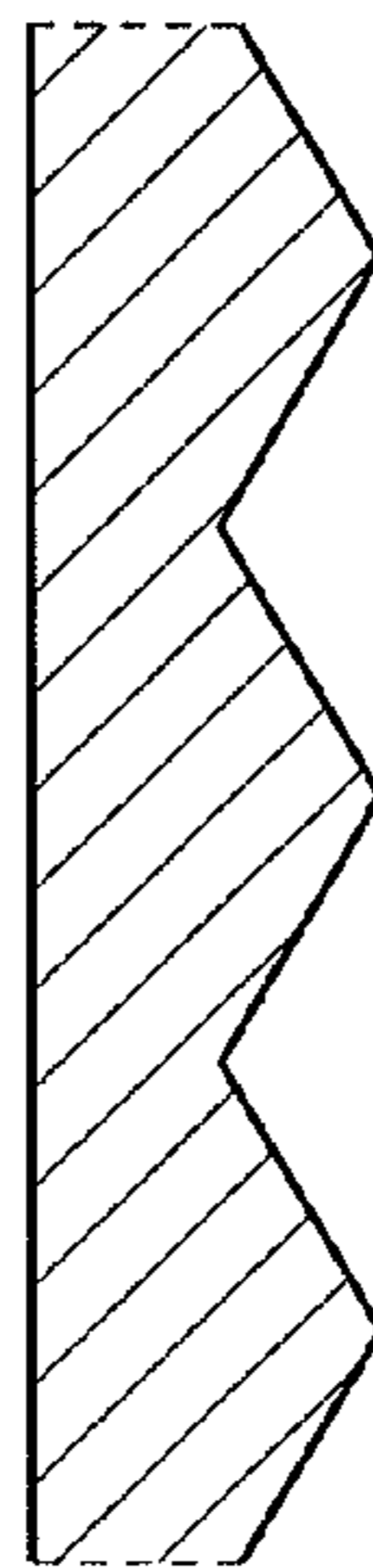


FIG. 5

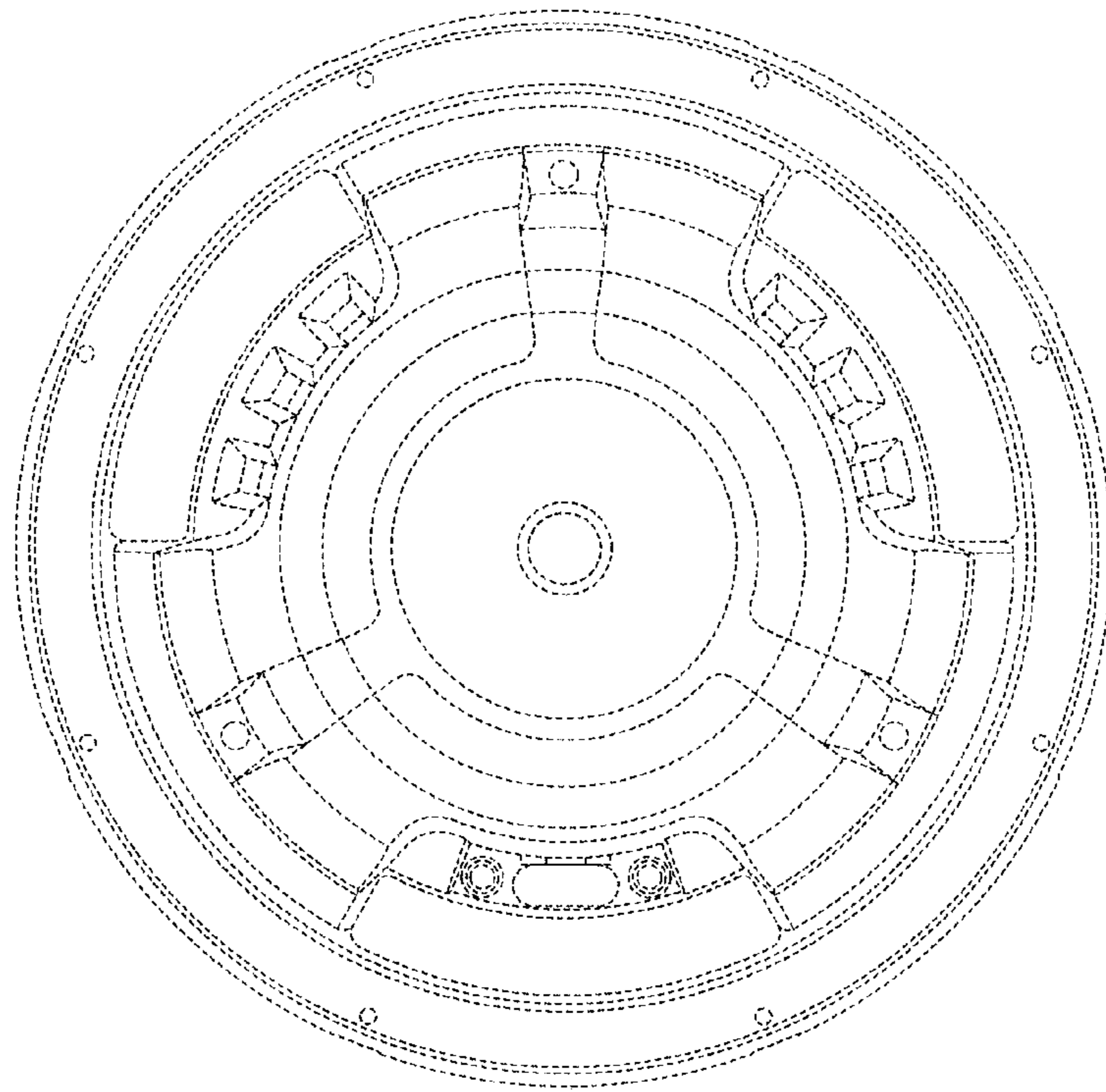


FIG. 6

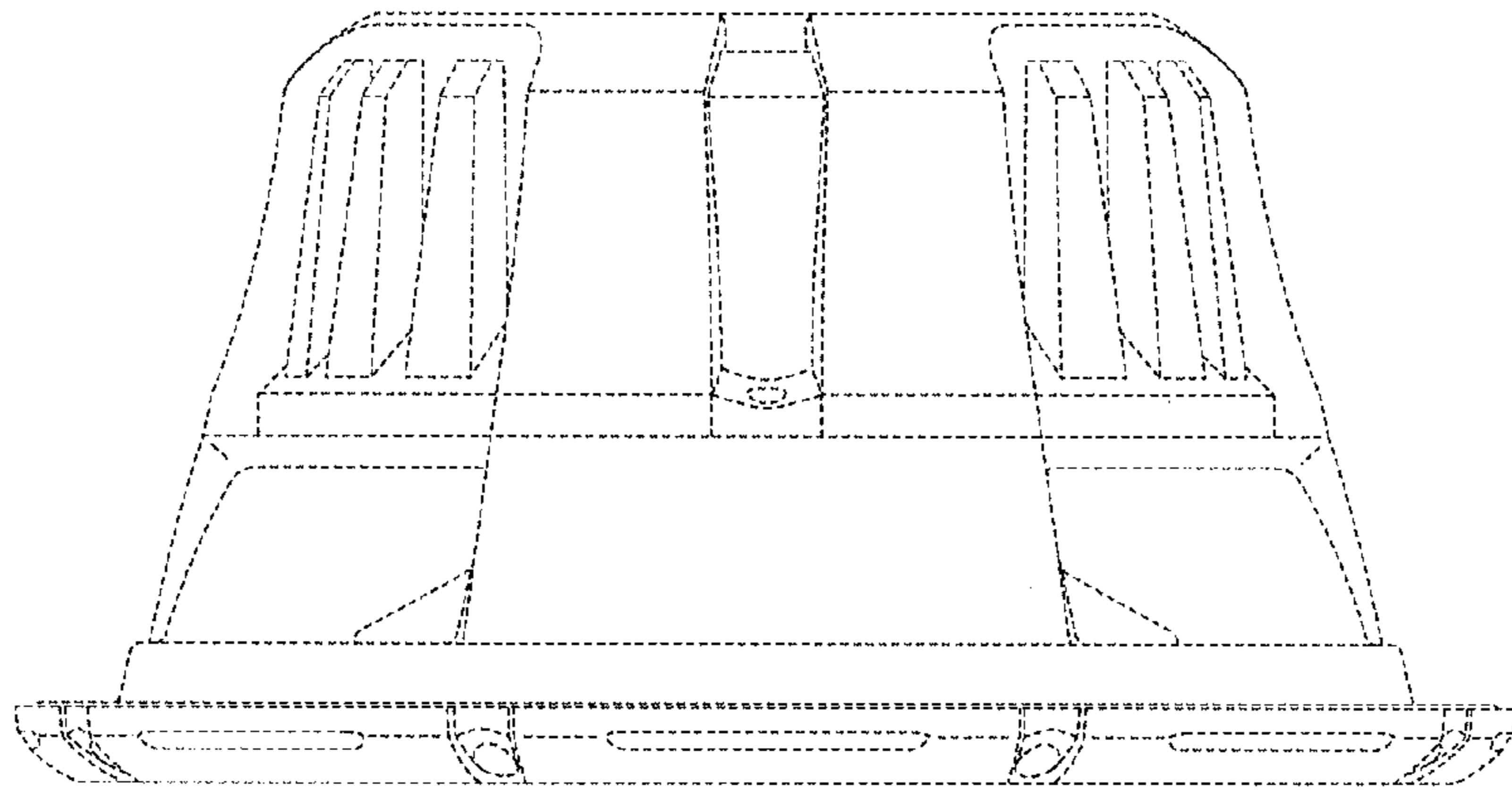


FIG. 7

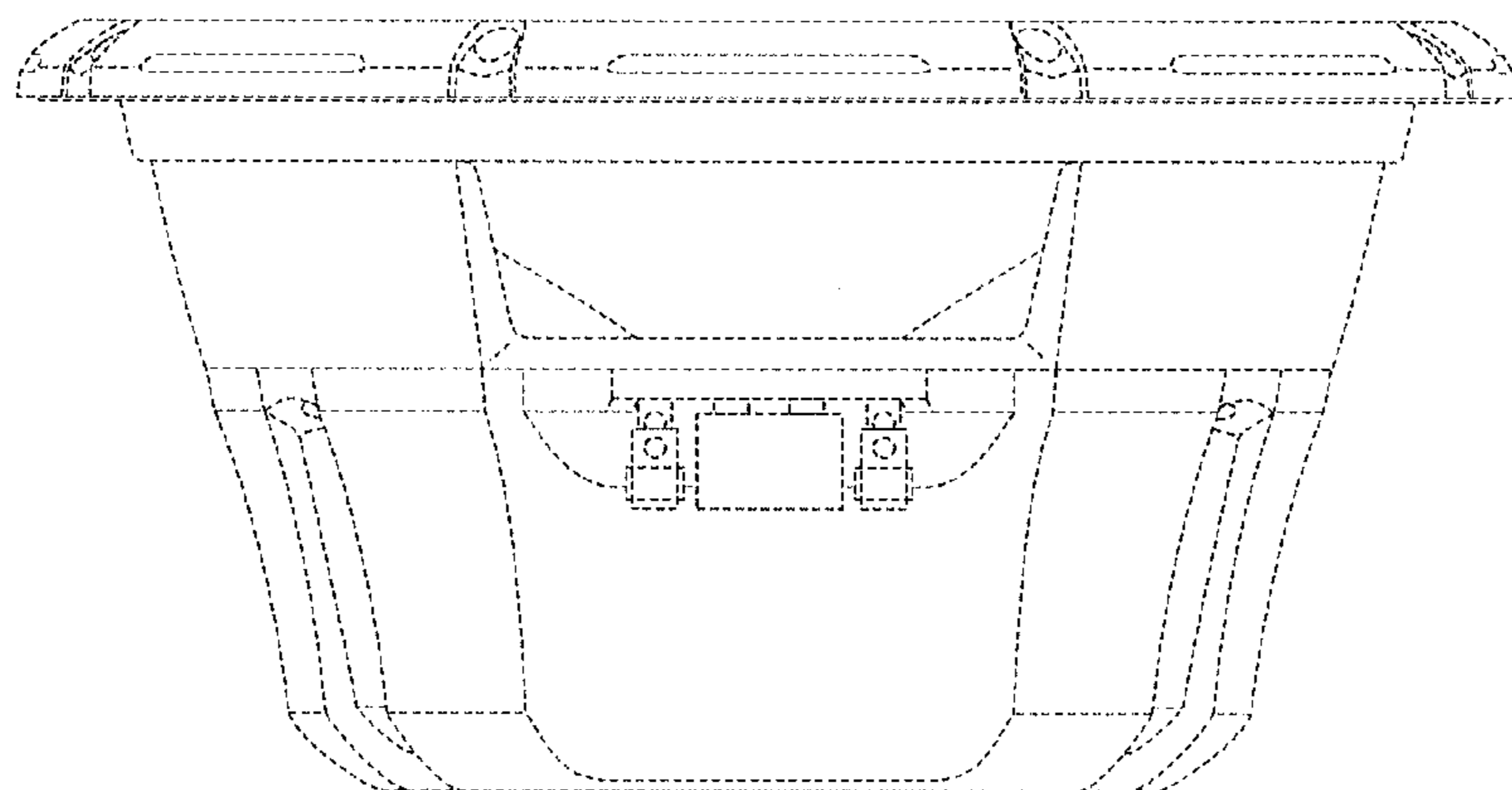


FIG. 8

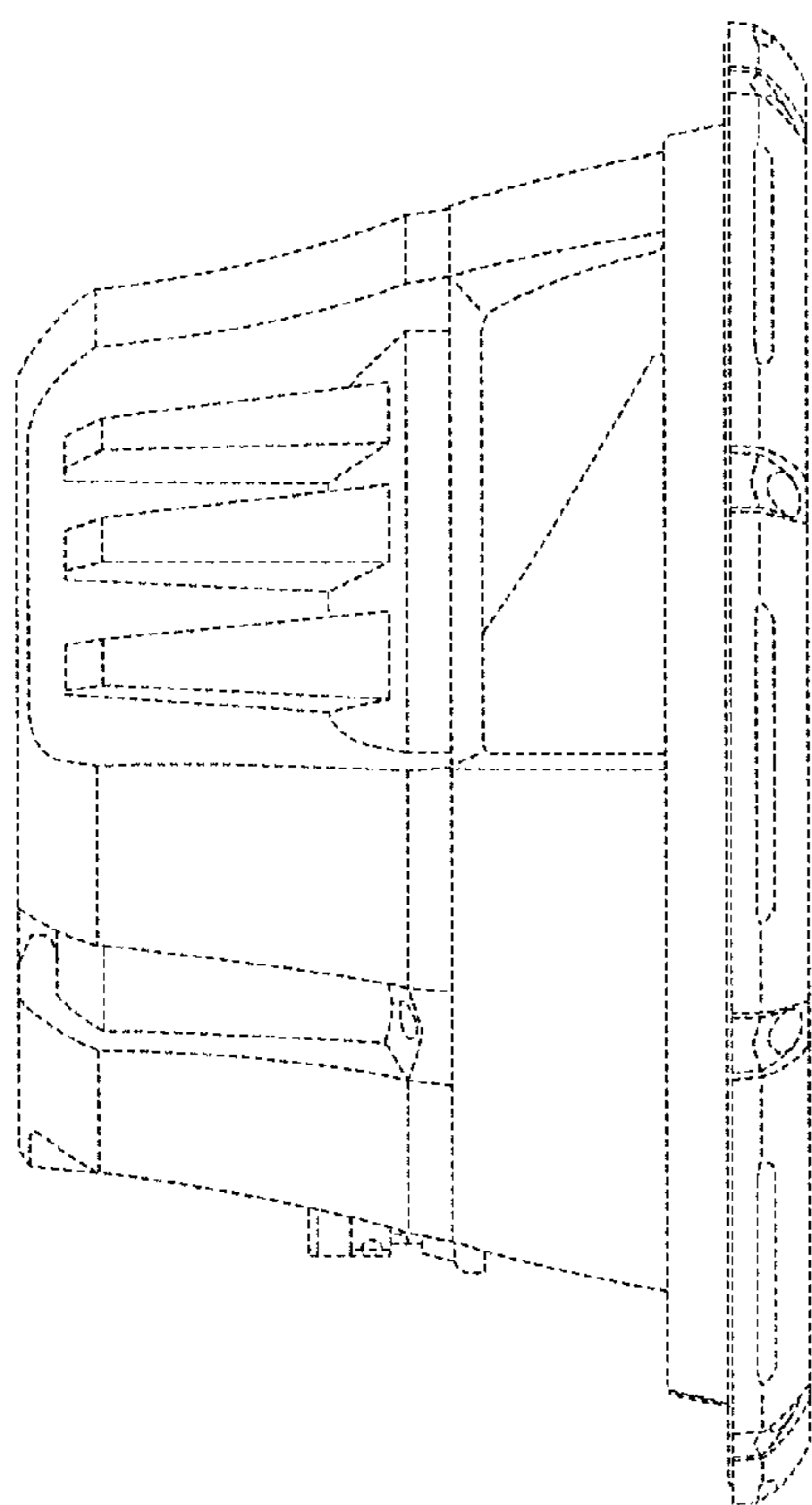


FIG. 9

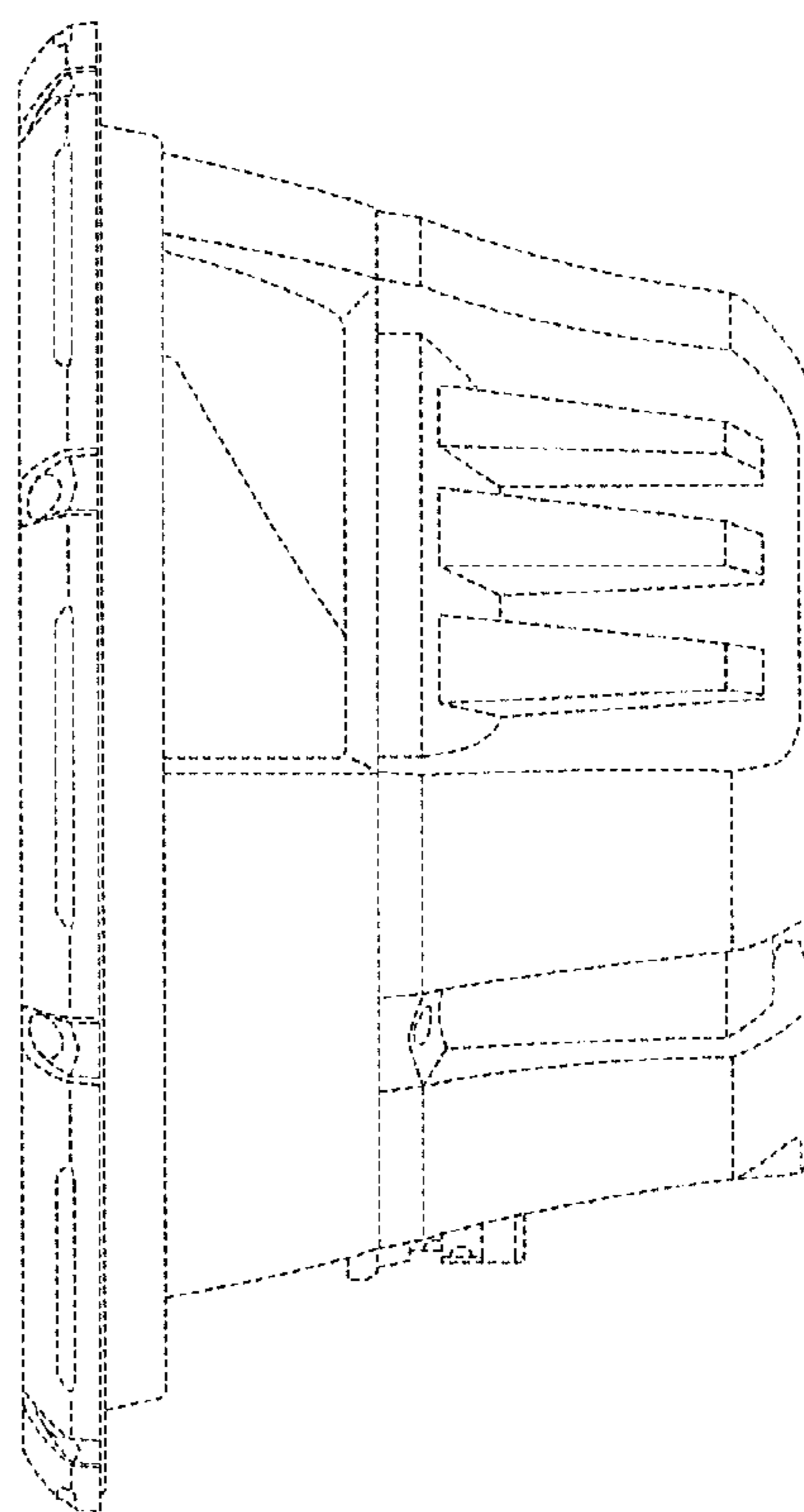


FIG. 10