



US00D721054S

(12) **United States Design Patent**
Lu

(10) **Patent No.:** **US D721,054 S**
(45) **Date of Patent:** **** Jan. 13, 2015**

(54) **HEADPHONE**

(71) Applicant: **Koninklijke Philips N.V.**, Eindhoven (NL)

(72) Inventor: **Luke Lu**, Hong Kong (CN)

(73) Assignee: **Koninklijke Philips N.V.**, Eindhoven (NL)

(**) Term: **14 Years**

(21) Appl. No.: **29/480,890**

(22) Filed: **Jan. 30, 2014**

(30) **Foreign Application Priority Data**

Jul. 31, 2013 (EM) 002284695-0002

(51) **LOC (10) Cl.** **14-01**

(52) **U.S. Cl.**
USPC **D14/205**

(58) **Field of Classification Search**
CPC H04R 1/1066
USPC D14/205, 206; D29/112; 181/129, 130, 181/135; 379/430, 431; 381/380, 381; 455/90.3, 575.1

See application file for complete search history.

(56) **References Cited**

U.S. PATENT DOCUMENTS

| | | | | | |
|-----------|-----|---------|-------------------|-------|---------|
| 2,149,341 | A * | 3/1939 | Harrison | | 381/379 |
| 2,593,892 | A * | 4/1952 | Kindel | | 181/129 |
| 3,408,658 | A * | 11/1968 | Beguín et al. | | 2/209 |
| 3,505,684 | A * | 4/1970 | Hutchinson et al. | | 2/209 |
| 5,018,599 | A * | 5/1991 | Dohi et al. | | 181/129 |
| 5,033,094 | A * | 7/1991 | Hung | | 381/379 |
| D328,074 | S * | 7/1992 | Yamazaki et al. | | D14/205 |
| D328,461 | S * | 8/1992 | Daido et al. | | D14/205 |
| D353,818 | S * | 12/1994 | Nakamura | | D14/205 |

| | | | | | |
|-----------|------|---------|----------------|-------|---------|
| 5,384,857 | A * | 1/1995 | Nordin et al. | | 381/378 |
| 5,406,037 | A * | 4/1995 | Nageno et al. | | 181/129 |
| 5,826,597 | A * | 10/1998 | Chou | | 132/273 |
| 6,611,963 | B2 * | 9/2003 | Woo et al. | | 2/209 |
| D494,154 | S * | 8/2004 | Polito | | D14/206 |
| D563,382 | S * | 3/2008 | Wikel | | D14/205 |
| D581,394 | S * | 11/2008 | Lee | | D14/205 |
| D594,847 | S * | 6/2009 | Suzuki | | D14/205 |
| D603,371 | S * | 11/2009 | Boateng et al. | | D14/205 |
| D632,668 | S * | 2/2011 | Brunner et al. | | D14/205 |
| D654,472 | S * | 2/2012 | Fischer | | D14/206 |
| D657,344 | S * | 4/2012 | Brunner et al. | | D14/205 |
| D657,345 | S * | 4/2012 | Brunner et al. | | D14/205 |
| D668,633 | S * | 10/2012 | Enquist | | D14/205 |
| D684,559 | S * | 6/2013 | Groset et al. | | D14/205 |
| D696,226 | S * | 12/2013 | Brunner et al. | | D14/205 |
| D700,590 | S * | 3/2014 | Heath | | D14/205 |
| D702,210 | S * | 4/2014 | Birger | | D14/205 |

* cited by examiner

Primary Examiner — Paula Greene

(74) *Attorney, Agent, or Firm* — Venable LLP; Steven J. Schwarz

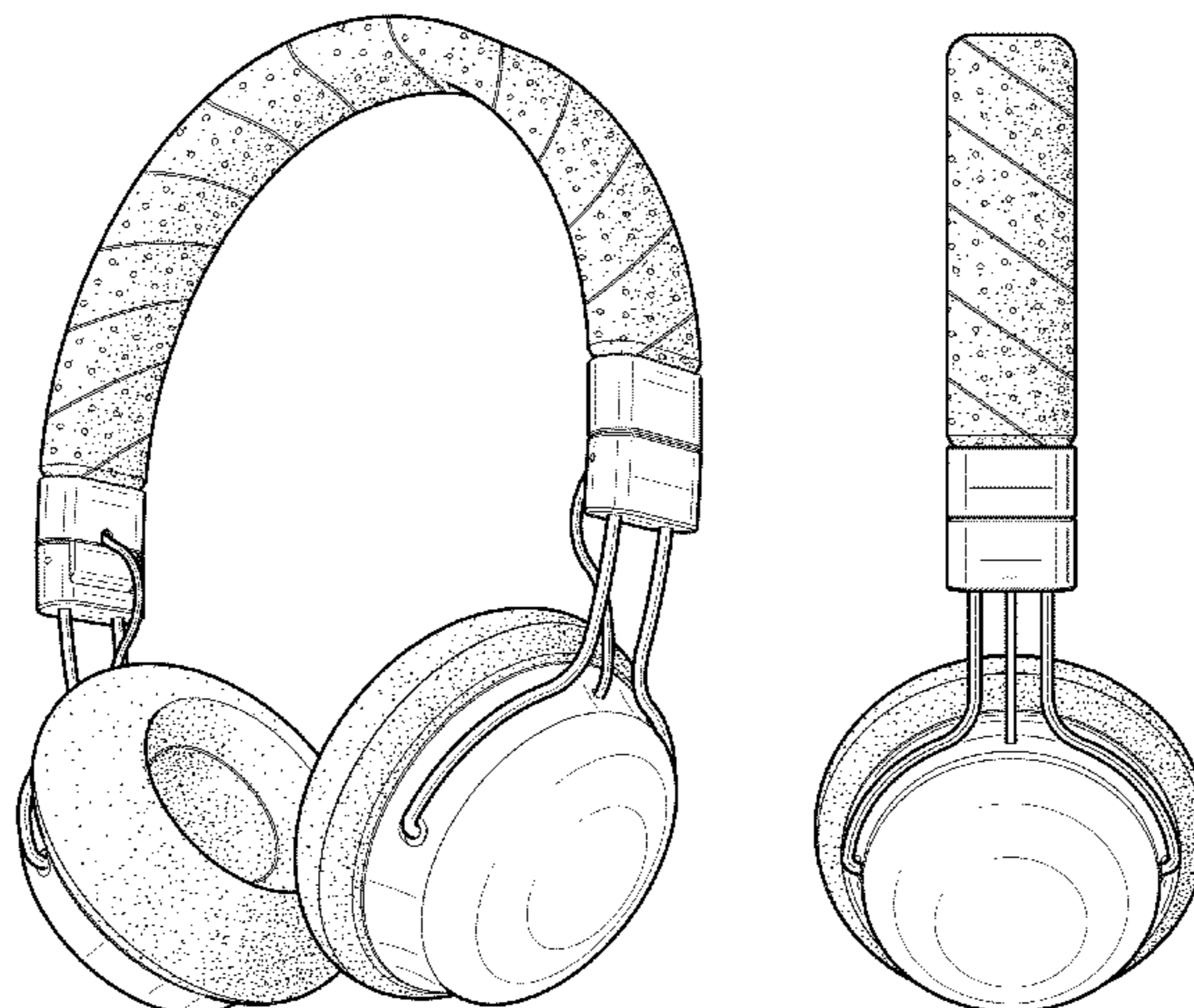
(57) **CLAIM**

The ornamental design for headphone, as shown and described.

DESCRIPTION

FIG. 1 is a perspective view of a headphone according to an embodiment of the claimed design; FIG. 2 is a front elevational view of the headphone of FIG. 1; FIG. 3 is a rear view elevational view of the headphone of FIG. 1; FIG. 4 is a left elevational view of the headphone of FIG. 1; FIG. 5 is a right elevational view of the headphone of FIG. 1; FIG. 6 is a top elevational view of the headphone of FIG. 1; and, FIG. 7 is a bottom elevational view of the headphone of FIG. 1.

1 Claim, 5 Drawing Sheets



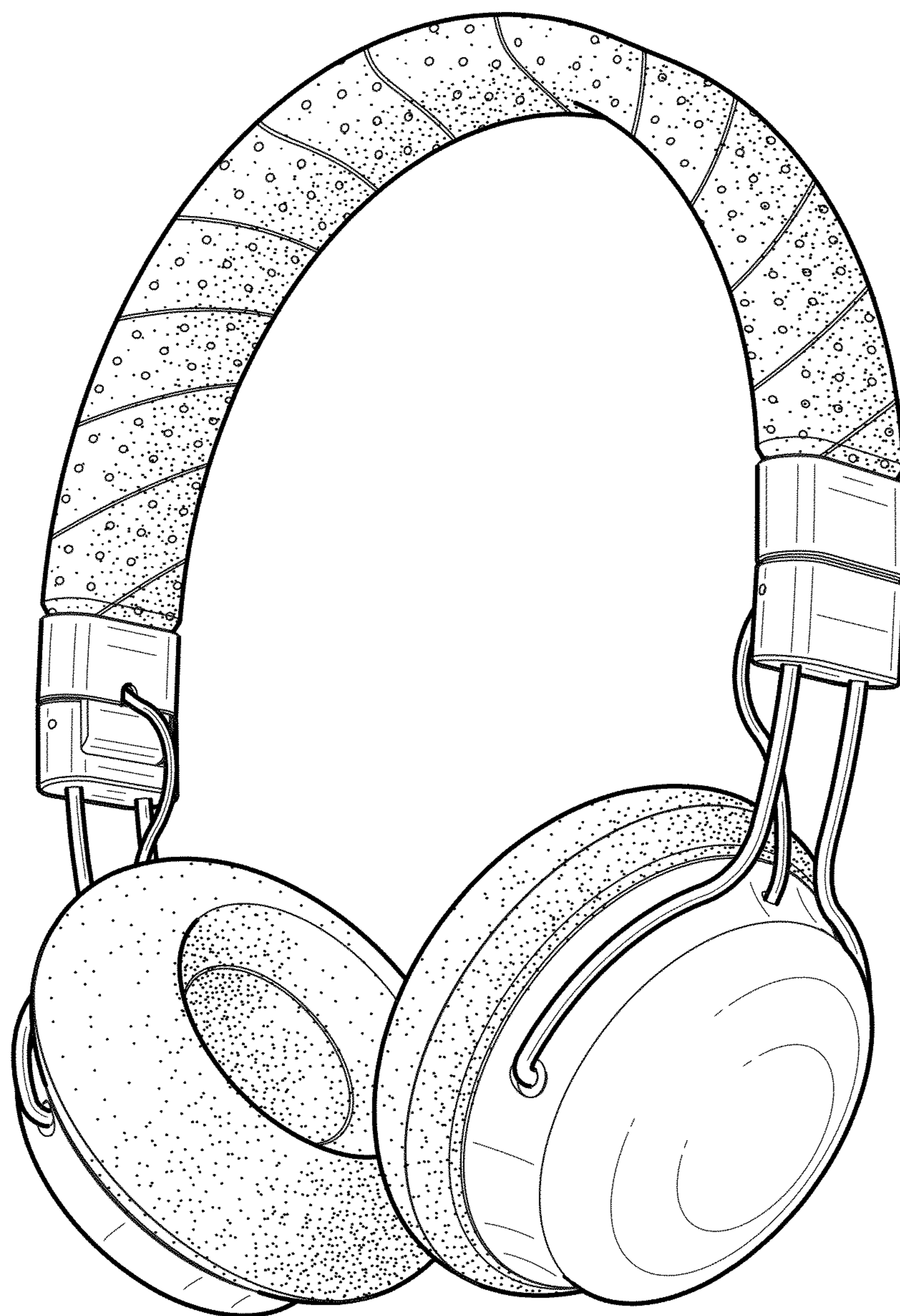


FIG. 1



FIG. 2



FIG. 3

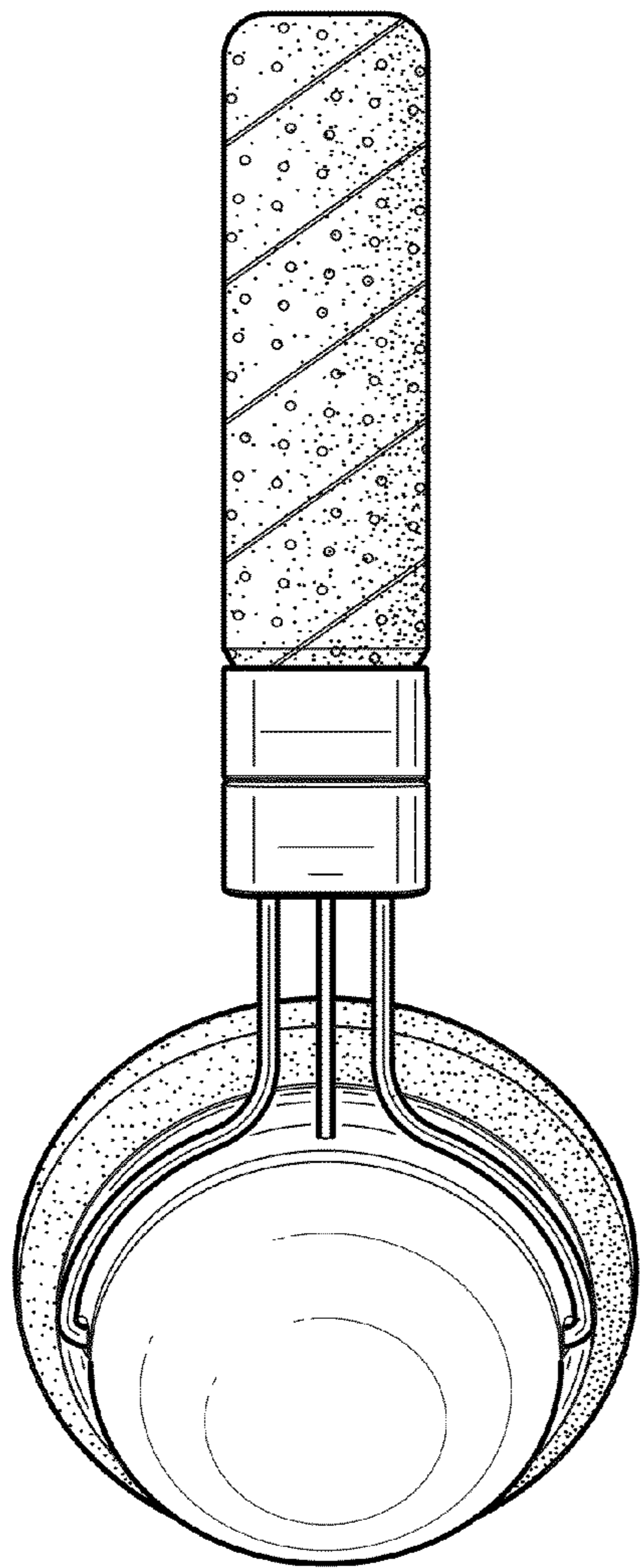


FIG. 4

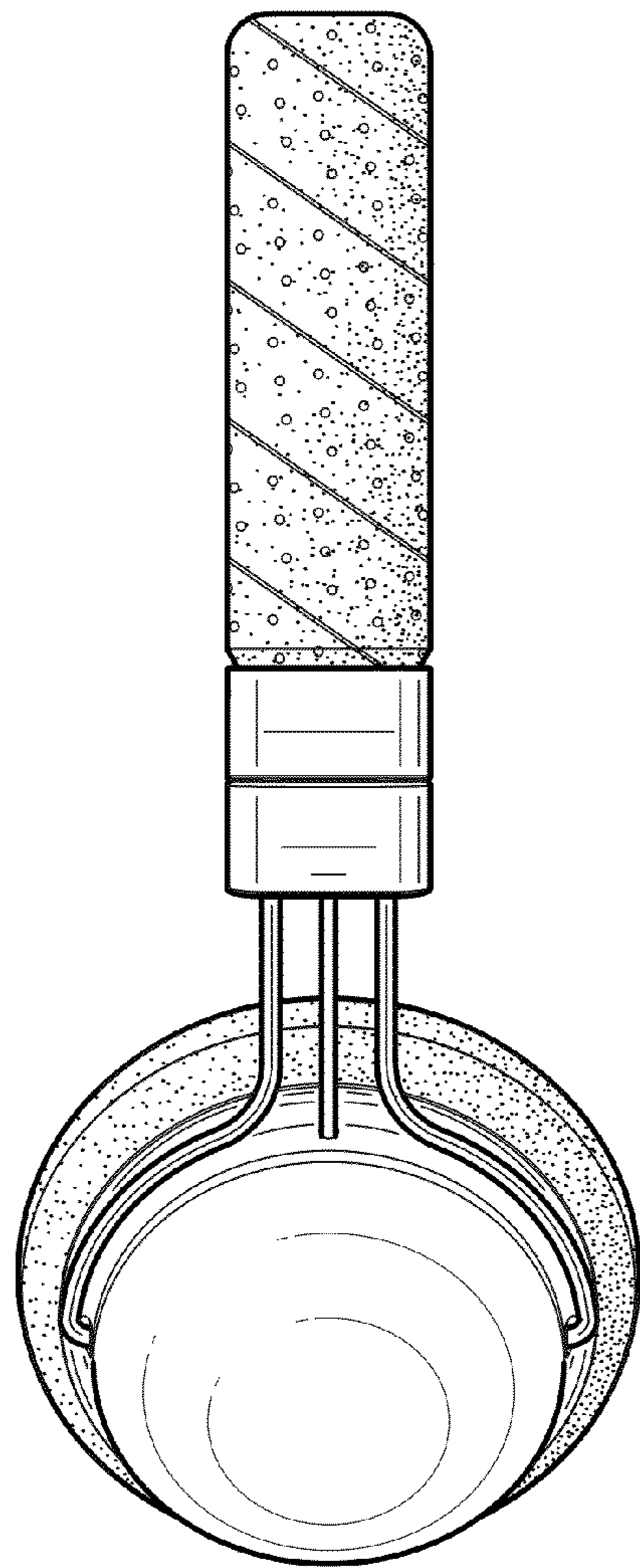


FIG. 5

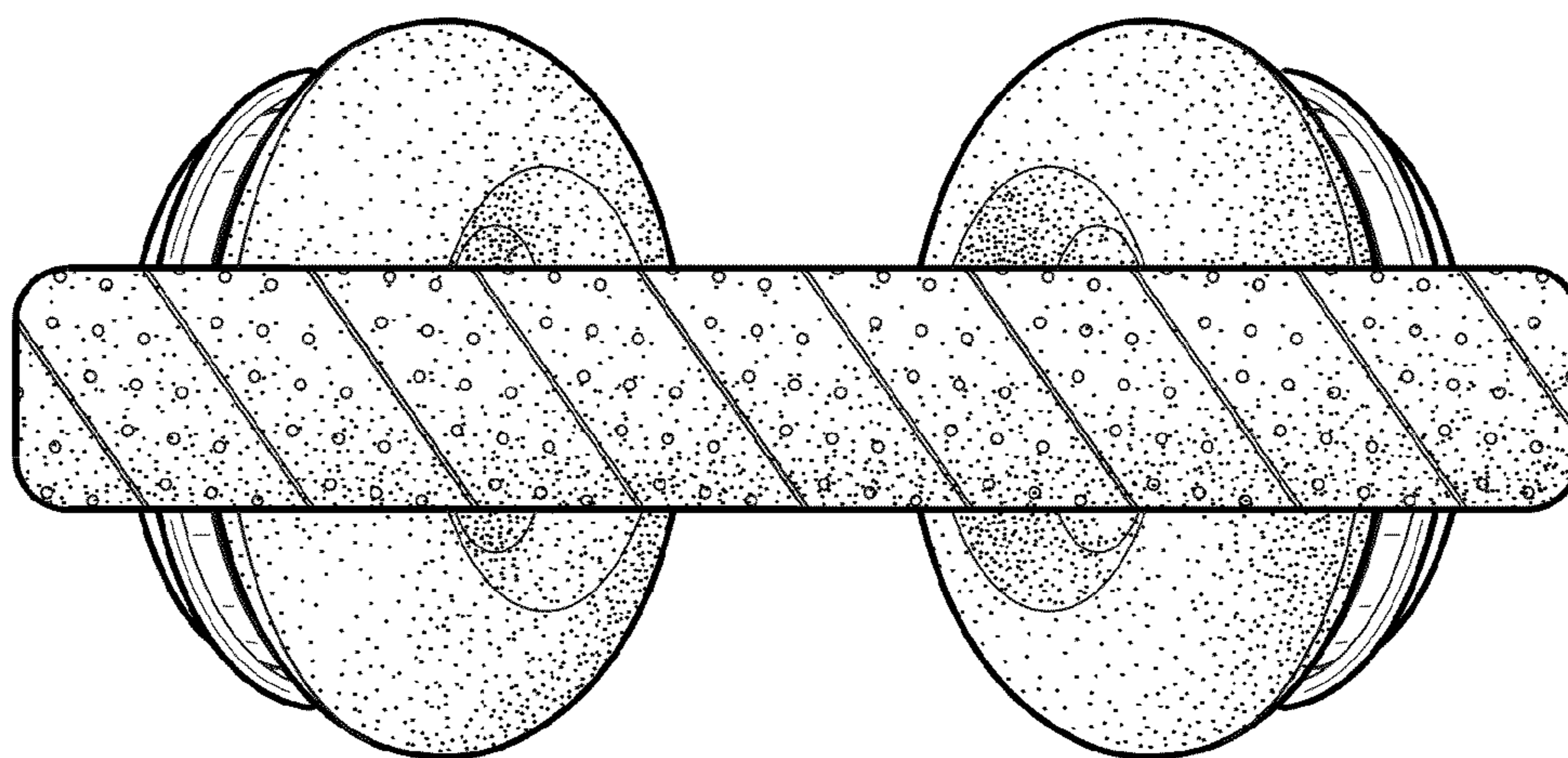


FIG. 6

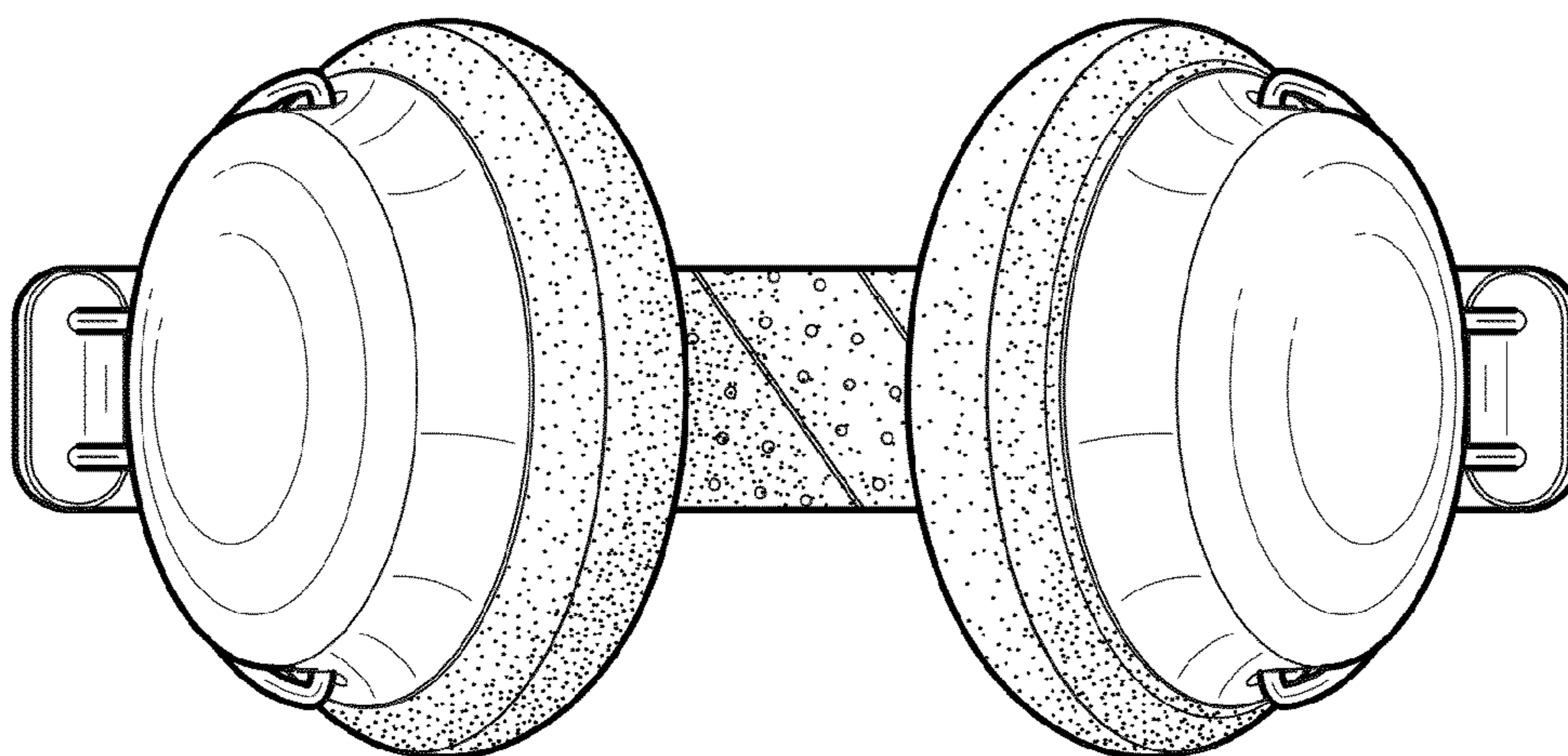


FIG. 7