

US00D721052S

(12) **United States Design Patent**
Carr et al.

(10) **Patent No.:** **US D721,052 S**
(45) **Date of Patent:** **** Jan. 13, 2015**

(54) **HEADPHONES**

(71) Applicant: **Bose Corporation**, Framingham, MA (US)

(72) Inventors: **Adam A. Carr**, Southborough, MA (US); **Stephen D. Boyle**, Newton, MA (US); **Joshua Kevin Dryden**, Marlborough, MA (US); **Kevin M. Krauss**, Sudbury, MA (US); **Michael E. Laude**, Upton, MA (US); **Nathan David Schaal**, Cambridge, MA (US); **Mitchell Joseph Silva**, Groton, MA (US); **Julie E. Tierney**, Shrewsbury, MA (US)

(73) Assignee: **Bose Corporation**, Framingham, MA (US)

(**) Term: **14 Years**

(21) Appl. No.: **29/475,707**

(22) Filed: **Dec. 5, 2013**

(51) **LOC (10) Cl.** **14-01**

(52) **U.S. Cl.**
USPC **D14/205**

(58) **Field of Classification Search**
CPC H04R 1/1066
USPC D14/205; D29/112; 2/209; 181/129, 181/130, 135; 379/430, 431; 381/380, 381, 381/374

See application file for complete search history.

(56) **References Cited**

U.S. PATENT DOCUMENTS

D68,060 S * 8/1925 Pacent D14/249
3,051,961 A * 9/1962 Clark 2/209
3,073,410 A * 1/1963 Gongoll et al. 2/209
3,440,663 A * 4/1969 Beguin 2/209
3,505,684 A * 4/1970 Hutchinson et al. 2/209
3,562,816 A * 2/1971 Hutchinson et al. 2/209
D255,352 S 6/1980 Besasie

D328,074 S * 7/1992 Yamazaki et al. D14/205
D328,461 S * 8/1992 Daido et al. D14/205
D337,115 S * 7/1993 Yamazaki et al. D14/205
5,233,704 A * 8/1993 Booher 2/207
D353,817 S 12/1994 Wada
D353,818 S 12/1994 Nakamura
5,406,037 A * 4/1995 Nageno et al. 181/129

(Continued)

OTHER PUBLICATIONS

Able Planet Linx Fusion Active Noise Canceling Headphones—NC2000BCM : Award-Winning Headphones, Headsets and Accessories, retrieved Feb. 10, 2014, <http://shop.ableplanet.com/noise-cancellation-headphones/linx-fusion/linxr-fusion-nc2000bcm.html>.

(Continued)

Primary Examiner — Paula Greene

(57) **CLAIM**

The ornamental design for headphones, substantially as shown and described.

DESCRIPTION

FIG. 1 is a perspective view of a set of headphones as seen from the front and left side;
FIG. 2 is a perspective view thereof as seen from the front and right side;
FIG. 3 is a front view thereof;
FIG. 4 is a back view thereof;
FIG. 5 is a left side view thereof;
FIG. 6 is a right side view thereof;
FIG. 7 is a perspective view thereof as seen from the left side and bottom;
FIG. 8 is a perspective view thereof as seen from the right side and bottom;
FIG. 9 is a top end view thereof; and,
FIG. 10 is a bottom end view thereof.
The dotted line portions of the drawings represent environmental structure only and do not form part of the claimed design.

1 Claim, 8 Drawing Sheets



(56)

References Cited

U.S. PATENT DOCUMENTS

D431,550 S 10/2000 Yoneda
 D476,639 S 7/2003 Bergeron et al.
 D491,163 S 6/2004 Green
 D514,087 S 1/2006 Wilson et al.
 7,072,483 B2* 7/2006 Lenhard-Backhaus 381/383
 D532,407 S 11/2006 Motoishi
 D541,255 S 4/2007 Taylor et al.
 D563,382 S * 3/2008 Wikel D14/205
 7,388,960 B2* 6/2008 Kuo et al. 381/186
 D573,581 S * 7/2008 Gondo et al. D14/205
 D581,394 S * 11/2008 Lee D14/205
 D594,847 S * 6/2009 Suzuki D14/205
 D616,865 S * 6/2010 Marchand et al. D14/205

8,098,872 B2* 1/2012 Chang 381/371
 D662,080 S * 6/2012 Carr et al. D14/205
 D664,118 S * 7/2012 Tappeiner et al. D14/205
 D669,451 S * 10/2012 Tappeiner et al. D14/205
 D673,136 S * 12/2012 Kelly et al. D14/205
 D688,649 S * 8/2013 Combs et al. D14/205
 D699,702 S * 2/2014 Chen D14/205

OTHER PUBLICATIONS

QuietComfort Acoustic Noise Cancelling Headphones—Bose Product Support, retrieved Feb. 10, 2014, http://worldwide.bose.com/productsupport/en_us/web/qc/page.html.
 RadioShack 12-932 Headset. Date of sale unknown.

* cited by examiner

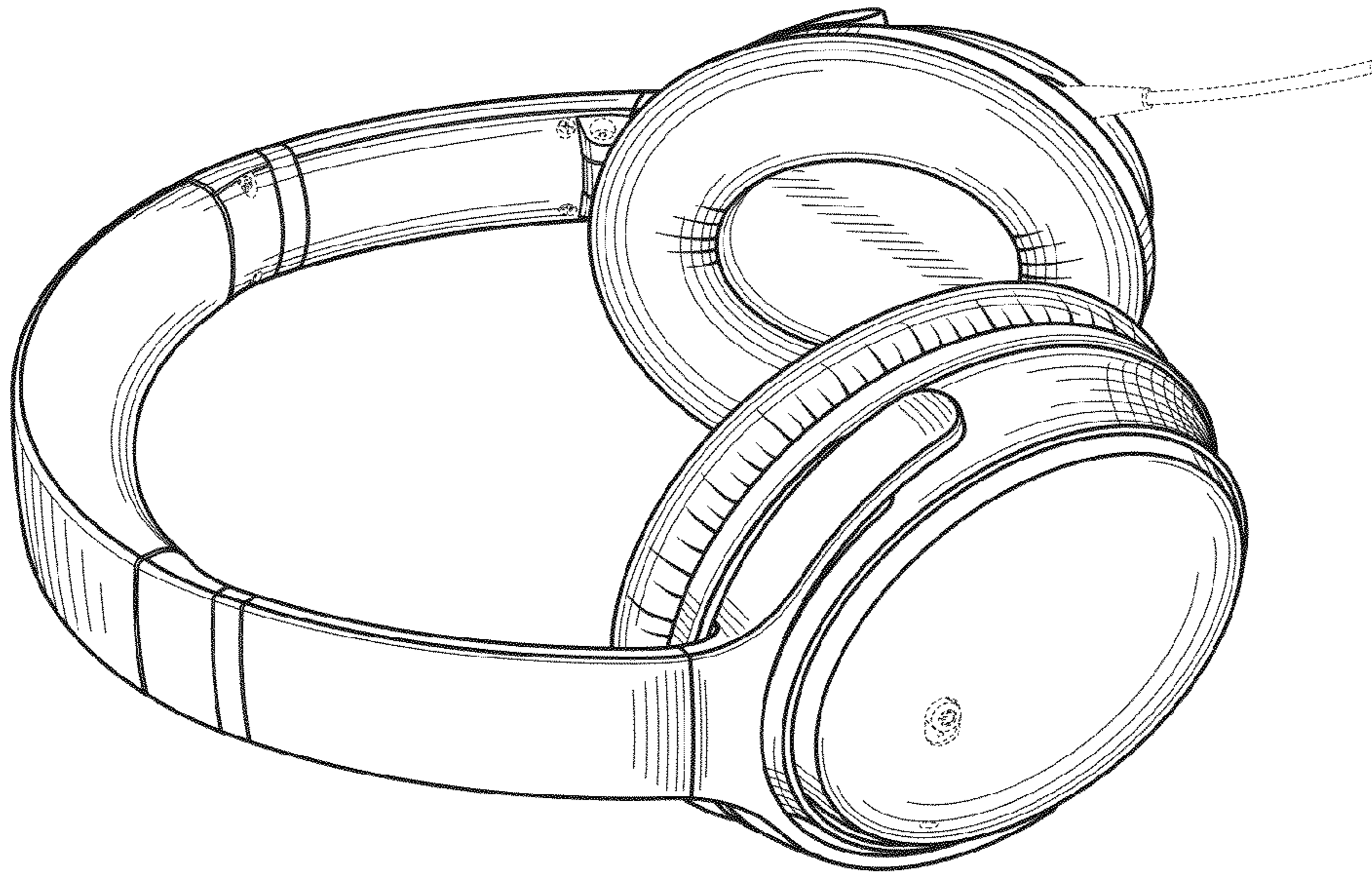


FIG. 1

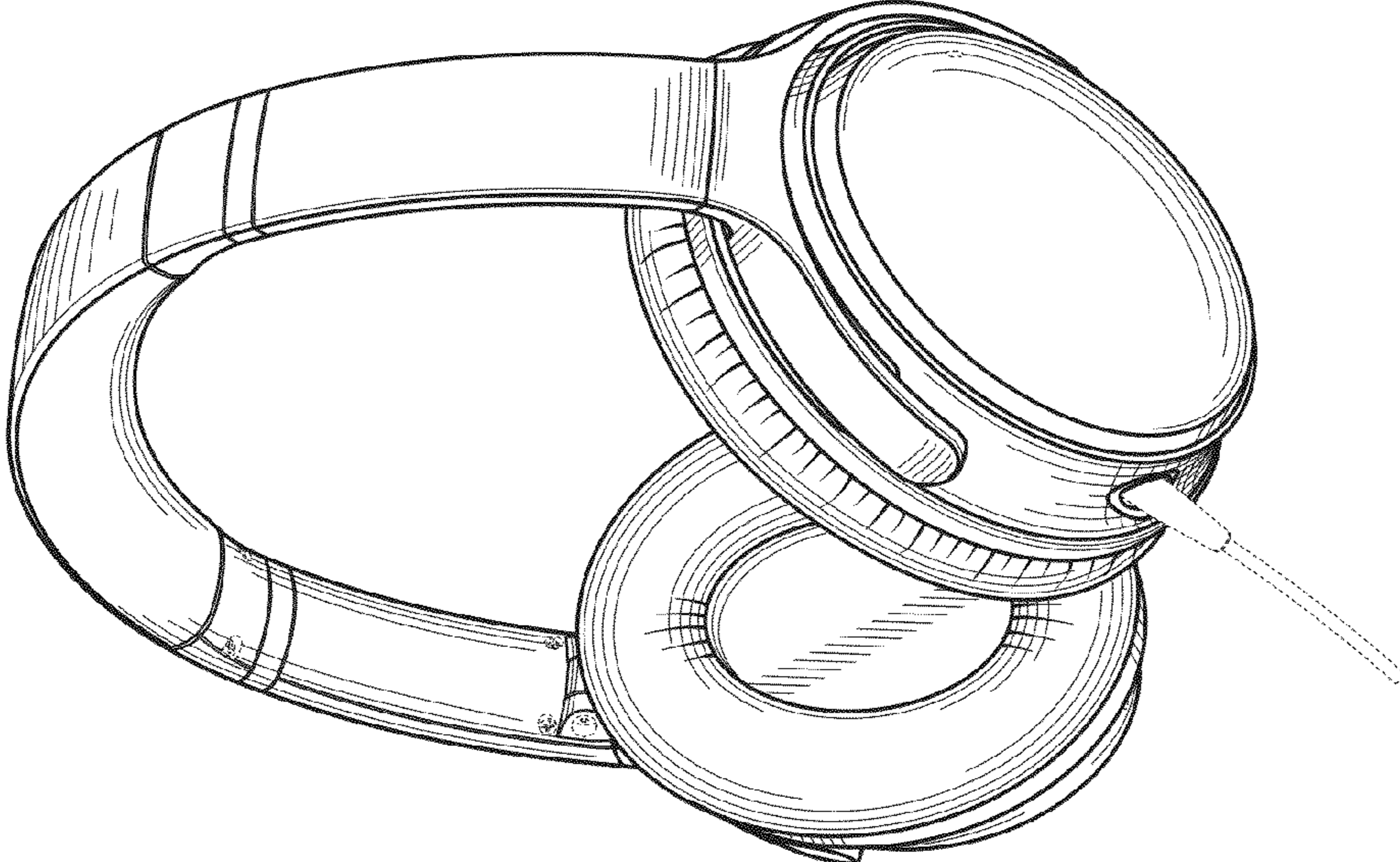


FIG. 2

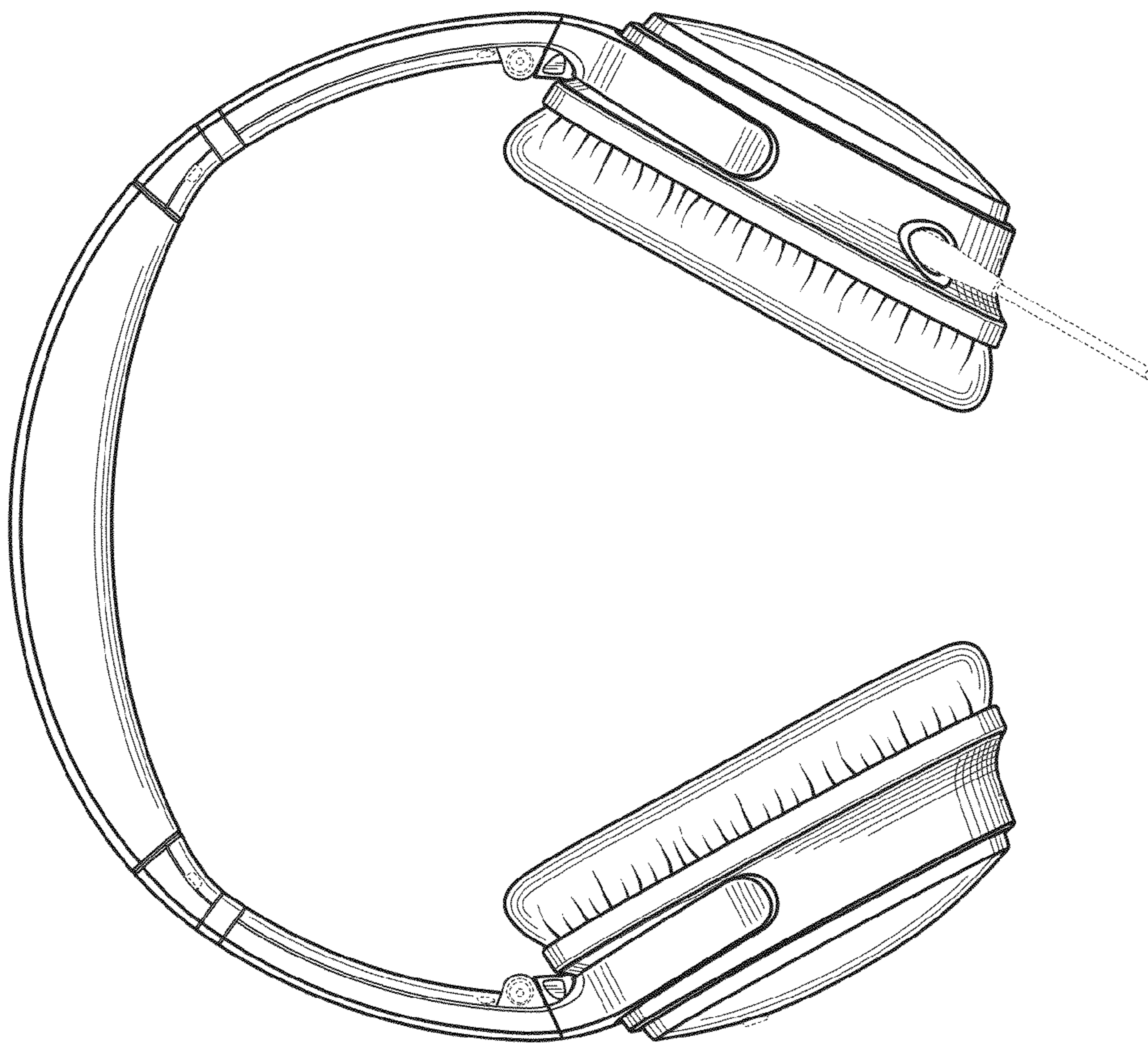


FIG. 3

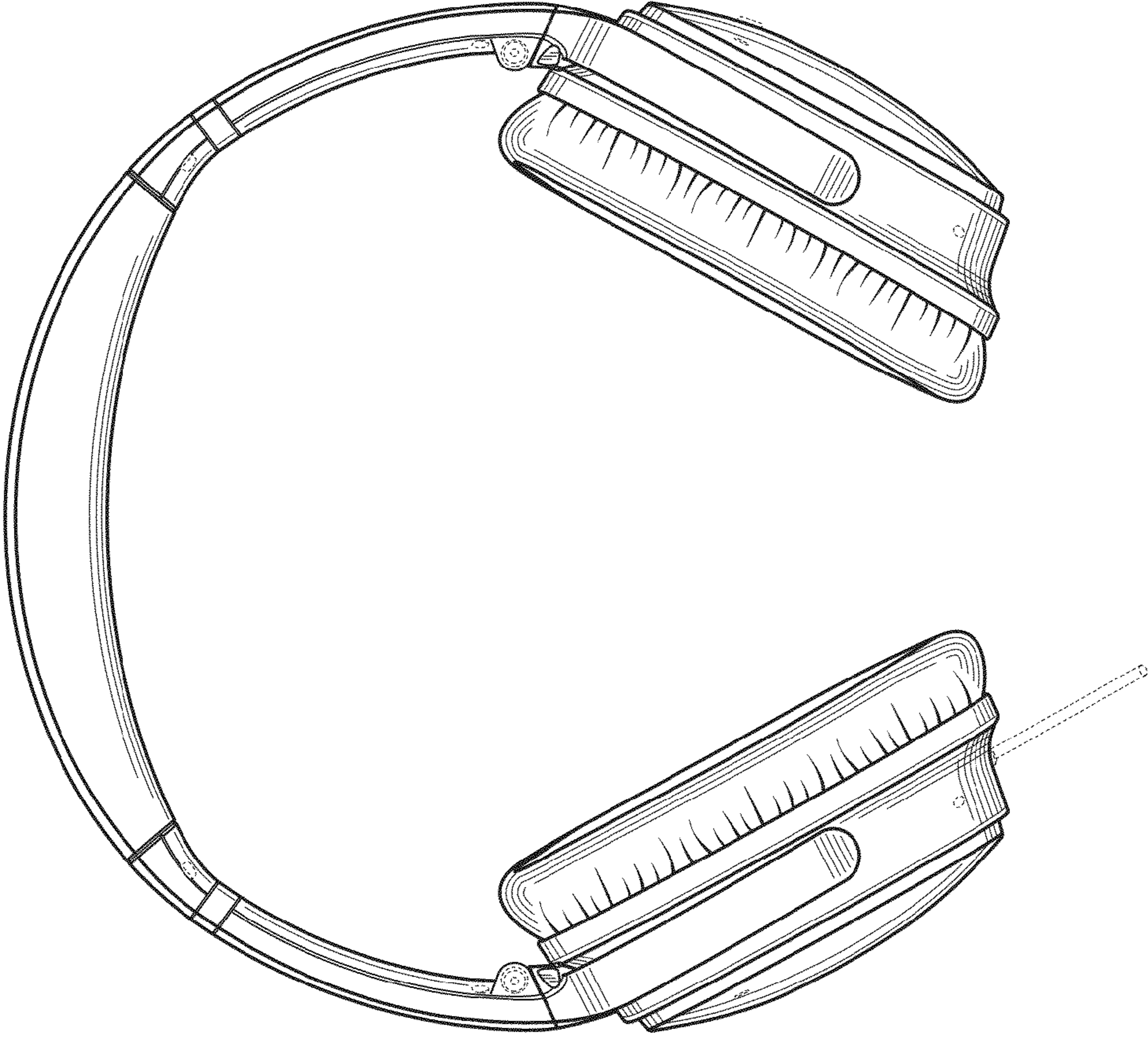


FIG. 4

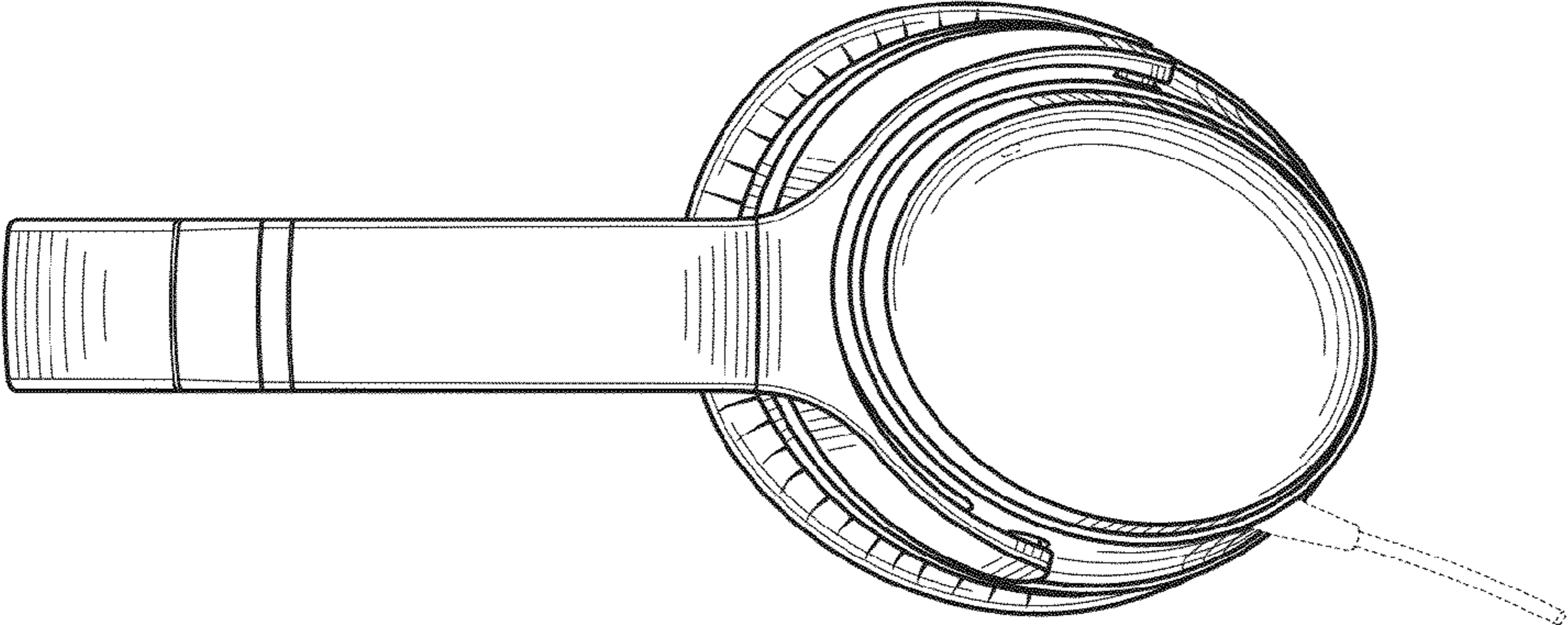


FIG. 6

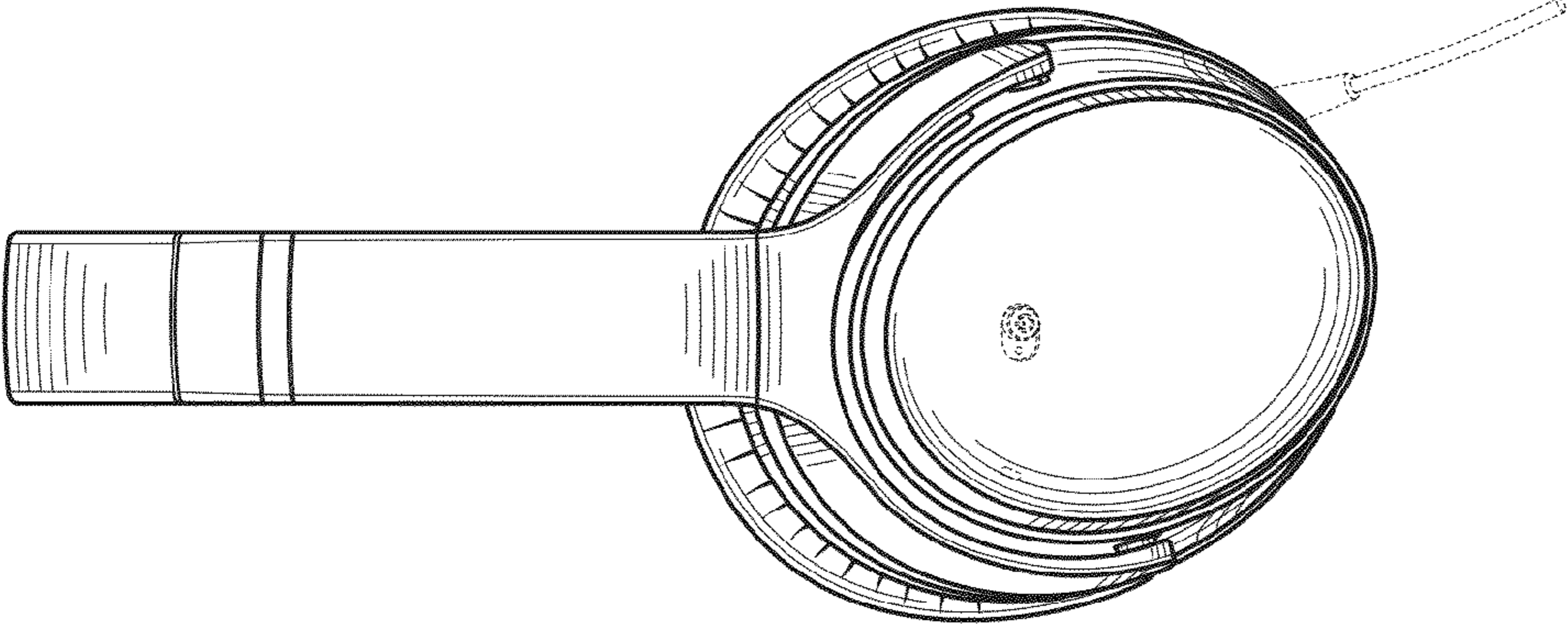


FIG. 5

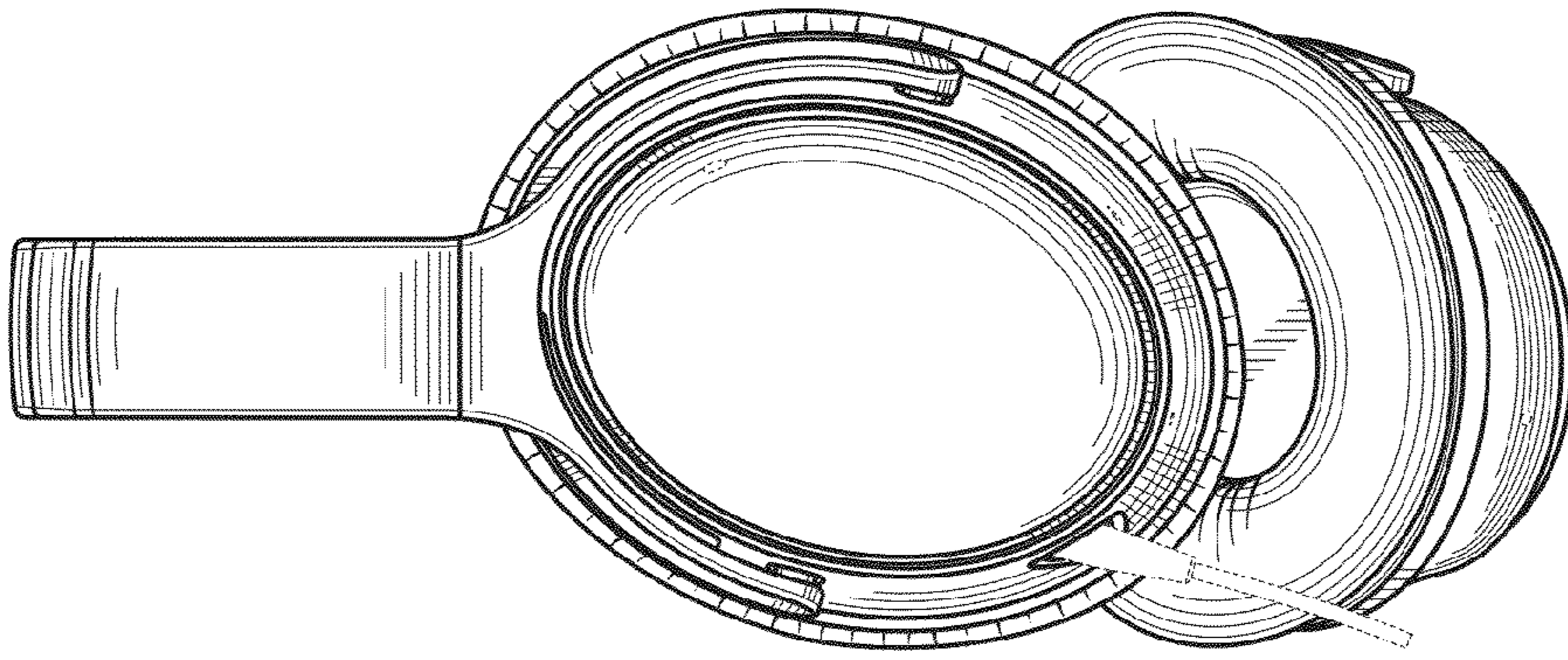


FIG. 7

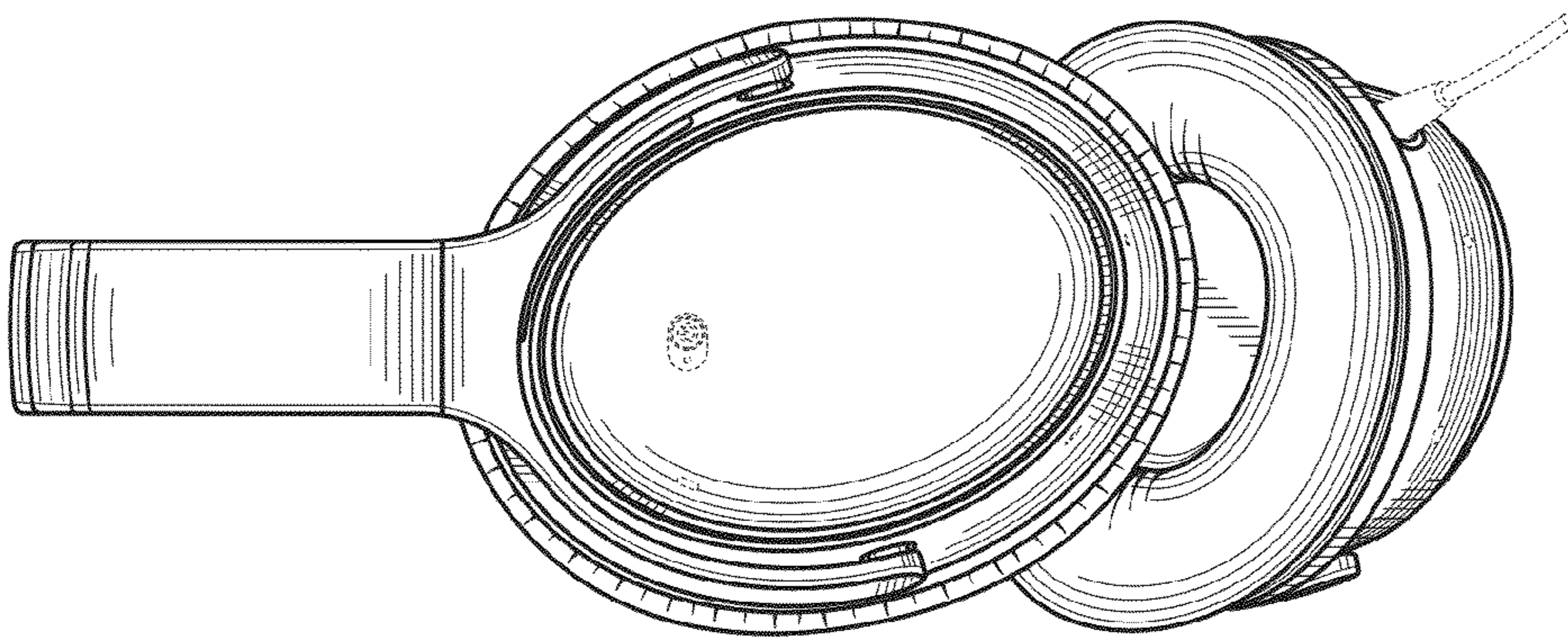


FIG. 8

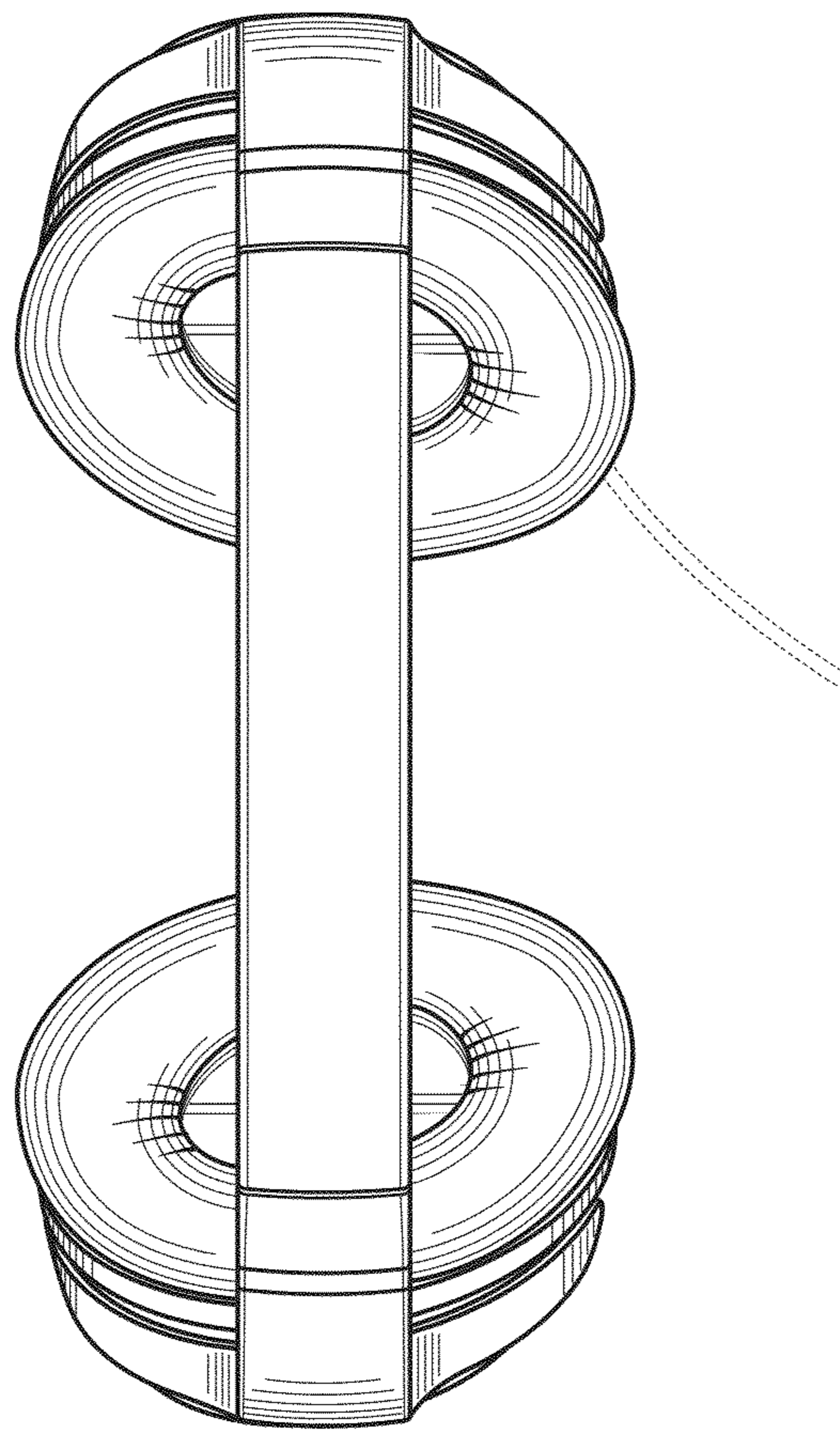


FIG. 9

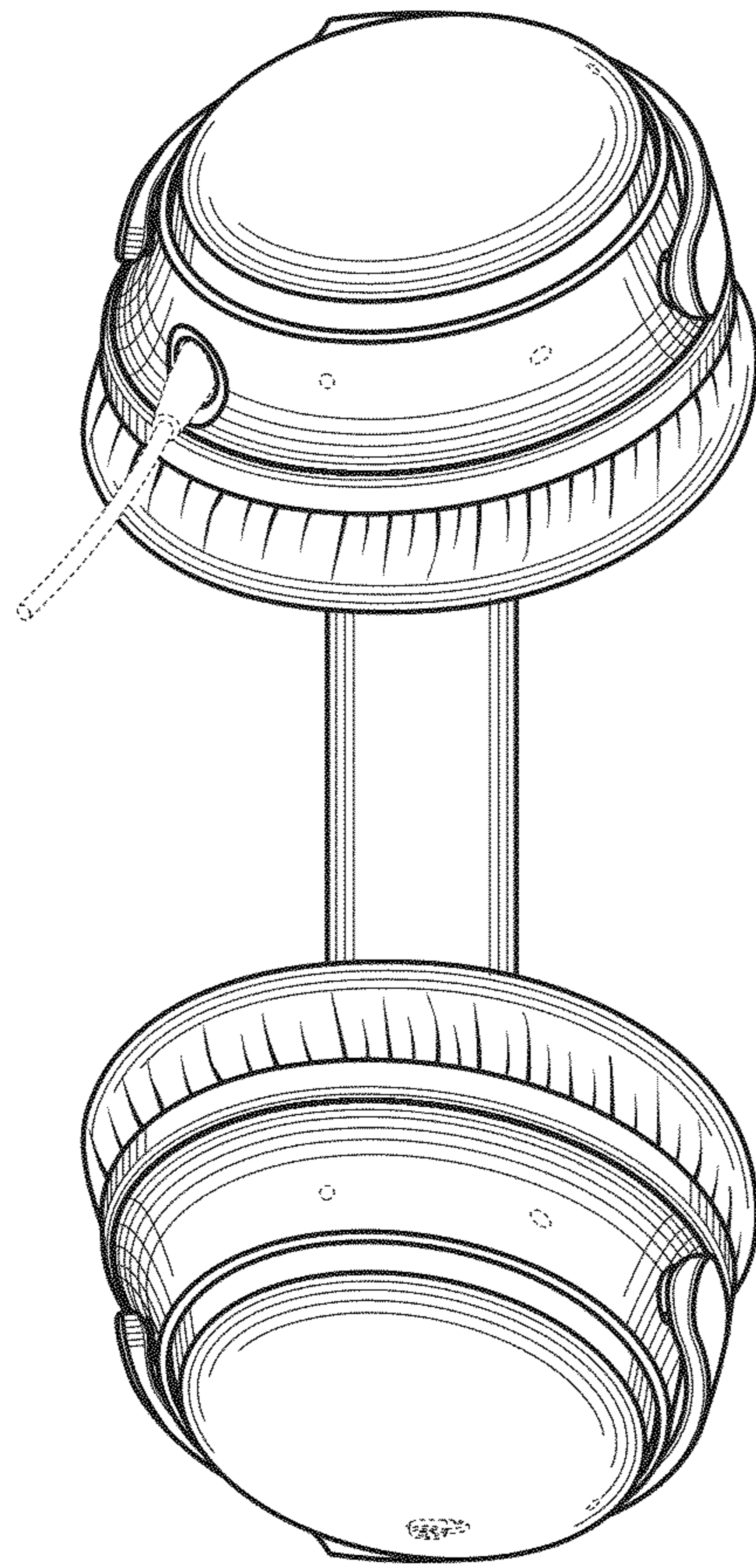


FIG. 10