



US00D721045S

(12) **United States Design Patent**
Gratz

(10) **Patent No.:** **US D721,045 S**
(45) **Date of Patent:** **** Jan. 13, 2015**

(54) **PUSH BUTTON LOCKOUT DEVICE BASE**
(71) Applicant: **Brady Worldwide, Inc.**, Milwaukee, WI (US)
(72) Inventor: **Joshua Gratz**, Milwaukee, WI (US)
(73) Assignee: **Brady Worldwide, Inc.**, Milwaukee, WI (US)

6,949,711	B1 *	9/2005	Litteer	200/43.01
6,972,387	B2 *	12/2005	Berthaud	200/43.13
7,501,593	B2 *	3/2009	Brojanac	200/43.14
D607,851	S *	1/2010	Miyasaka et al.	D13/173
8,022,299	B2 *	9/2011	Zheng	174/67
8,330,066	B2 *	12/2012	Xu	200/522
8,633,410	B2 *	1/2014	Yamasaki et al.	200/43.13
2004/0256205	A1 *	12/2004	Oshio et al.	200/43.13
2012/0018286	A1 *	1/2012	Knoerrchen et al.	200/43.11
2013/0037393	A1 *	2/2013	Howard	200/43.14

(**) Term: **14 Years**
(21) Appl. No.: **29/462,123**

* cited by examiner
Primary Examiner — Selina Sikder
(74) *Attorney, Agent, or Firm* — Quarles & Brady LLP

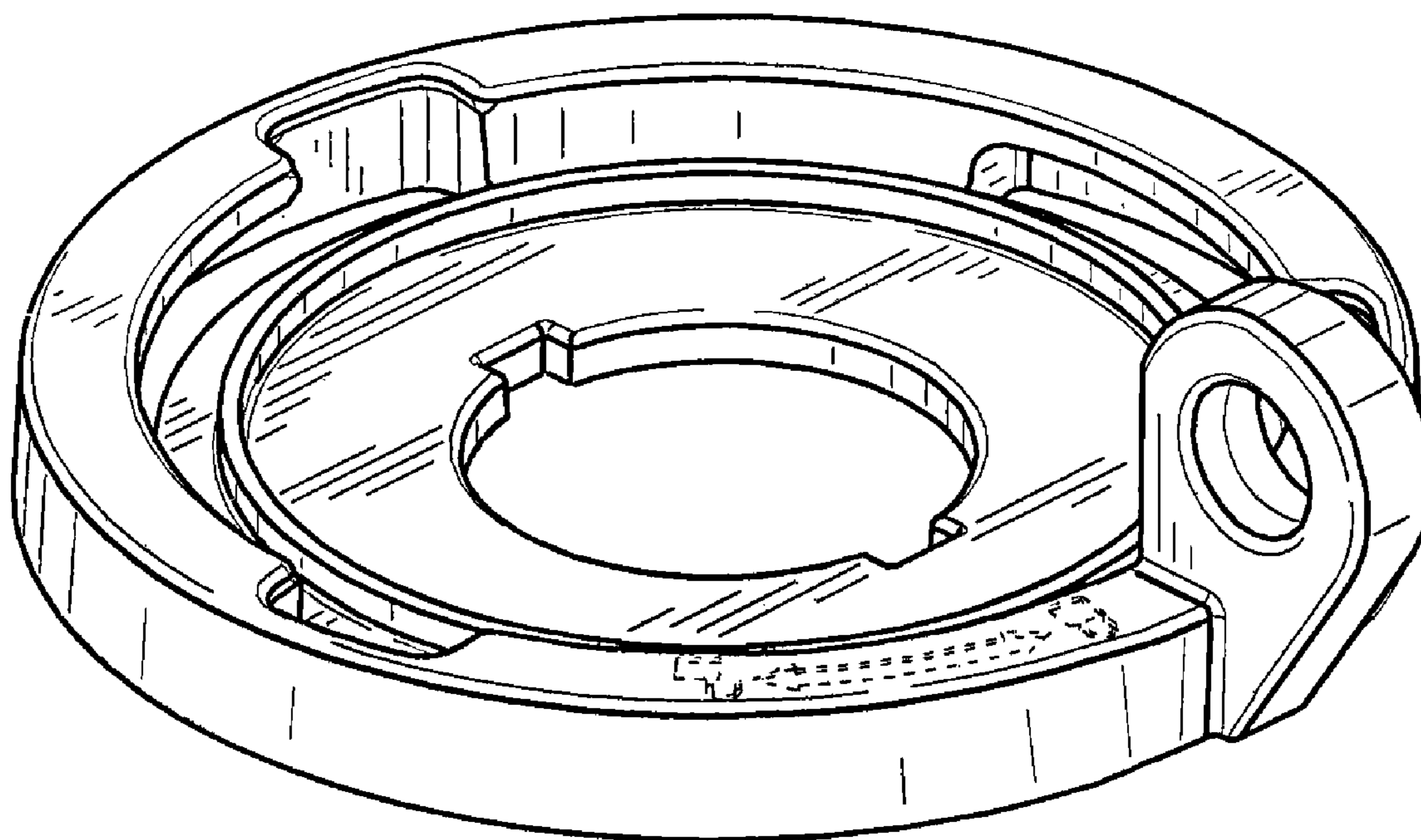
(22) Filed: **Jul. 31, 2013**
(51) **LOC (10) Cl.** **13-03**
(52) **U.S. Cl.**
USPC **D13/173**
(58) **Field of Classification Search**
USPC D13/173, 174, 177; 174/66; 200/43.01,
200/43.11, 43.15, 43.16, 43.19, 43.21,
200/43.22, 304, 330, 333, 334, 345
See application file for complete search history.

(57) **CLAIM**
The ornamental design for a push button lockout device base, as shown and described.

(56) **References Cited**
U.S. PATENT DOCUMENTS
3,746,818 A * 7/1973 Bertelloti 200/304
4,154,125 A * 5/1979 Frank 74/553
D353,580 S * 12/1994 Woehler D13/173
6,423,912 B1 * 7/2002 Arenz et al. 200/43.08

DESCRIPTION
FIG. 1 is a front isometric view of a push button lockout device base embodying our new design;
FIG. 2 is a top plan view thereof;
FIG. 3 is a left side elevation view thereof;
FIG. 4 is a right side elevation view thereof;
FIG. 5 is a front elevation view thereof;
FIG. 6 is a rear elevation view thereof; and,
FIG. 7 is a bottom plan view thereof.
The dash-dash broken line representations in the figures are for the purpose of illustrating unclaimed environment of the claimed design.

1 Claim, 4 Drawing Sheets



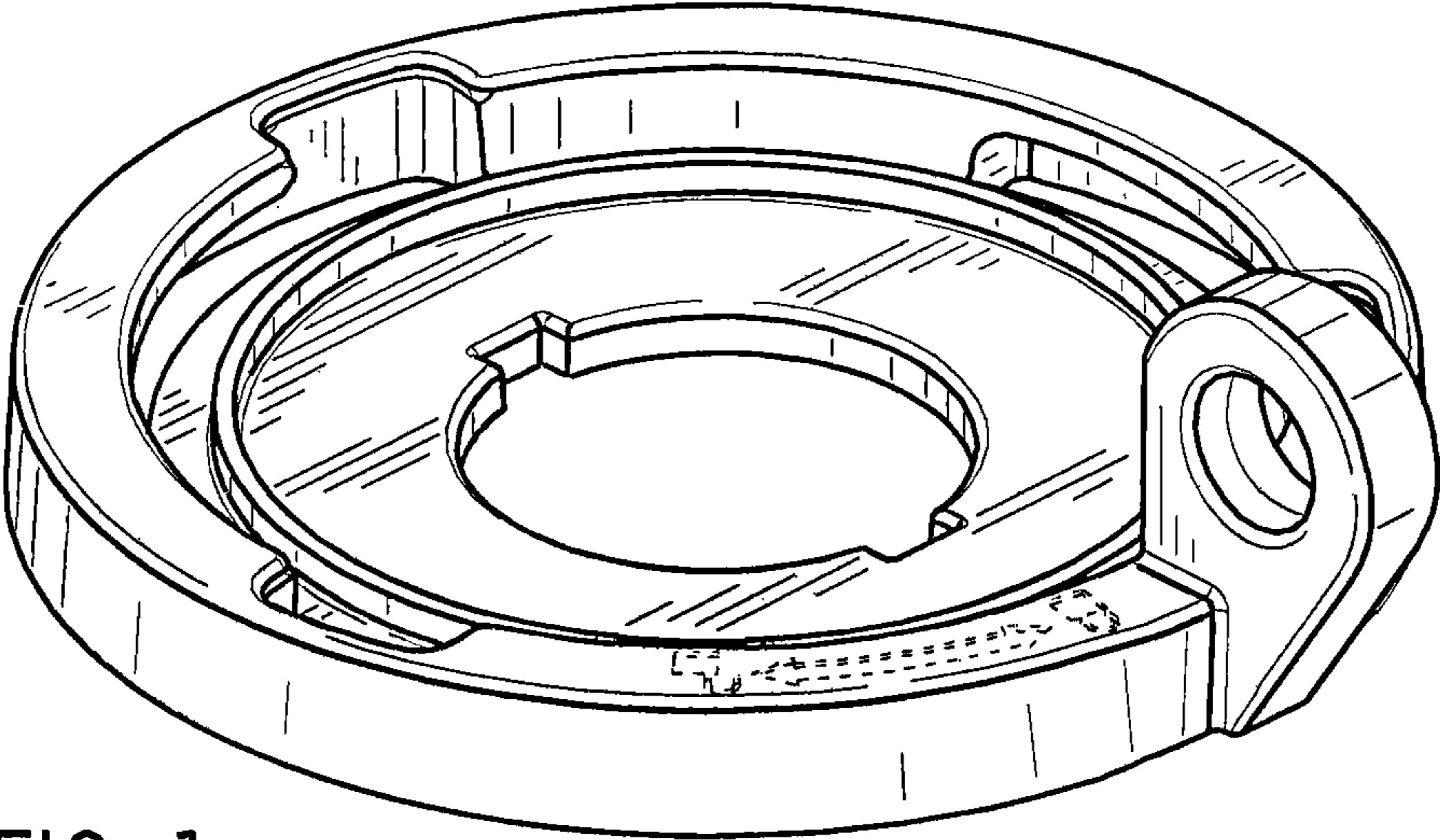


FIG. 1

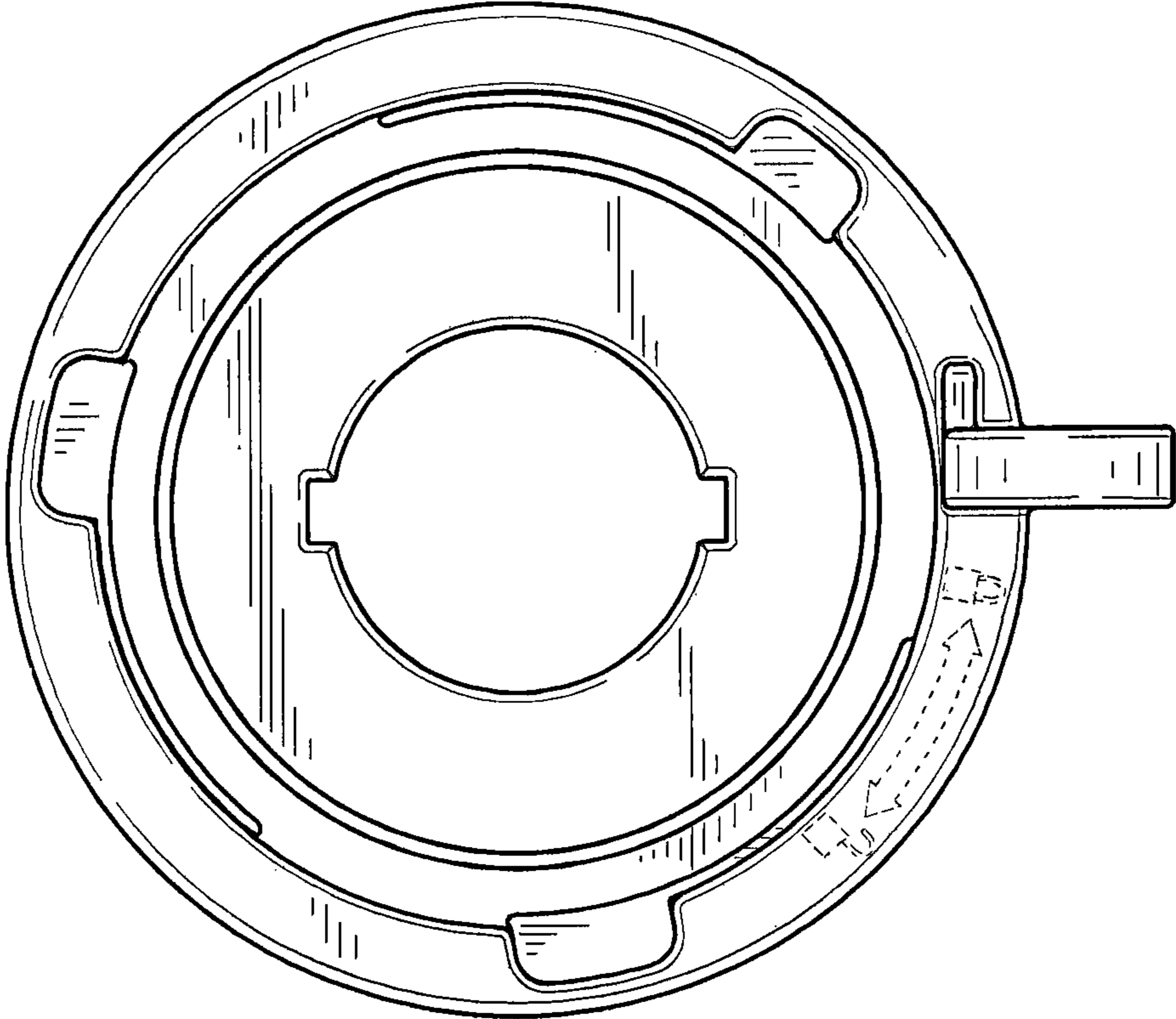


FIG. 2

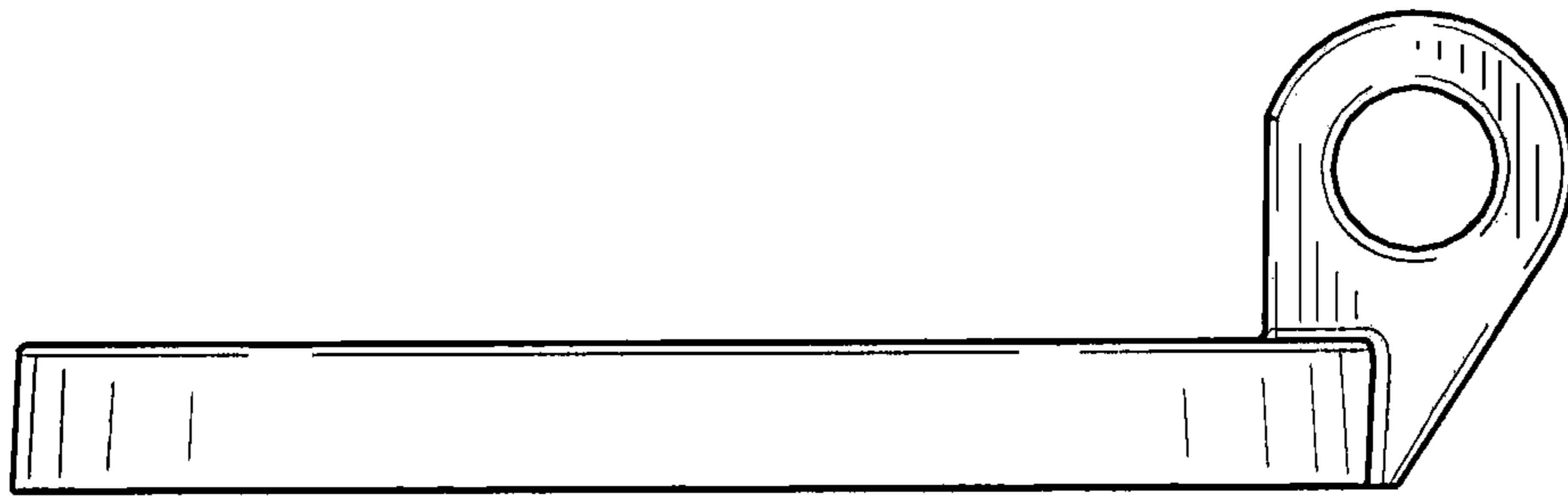


FIG. 3



FIG. 4

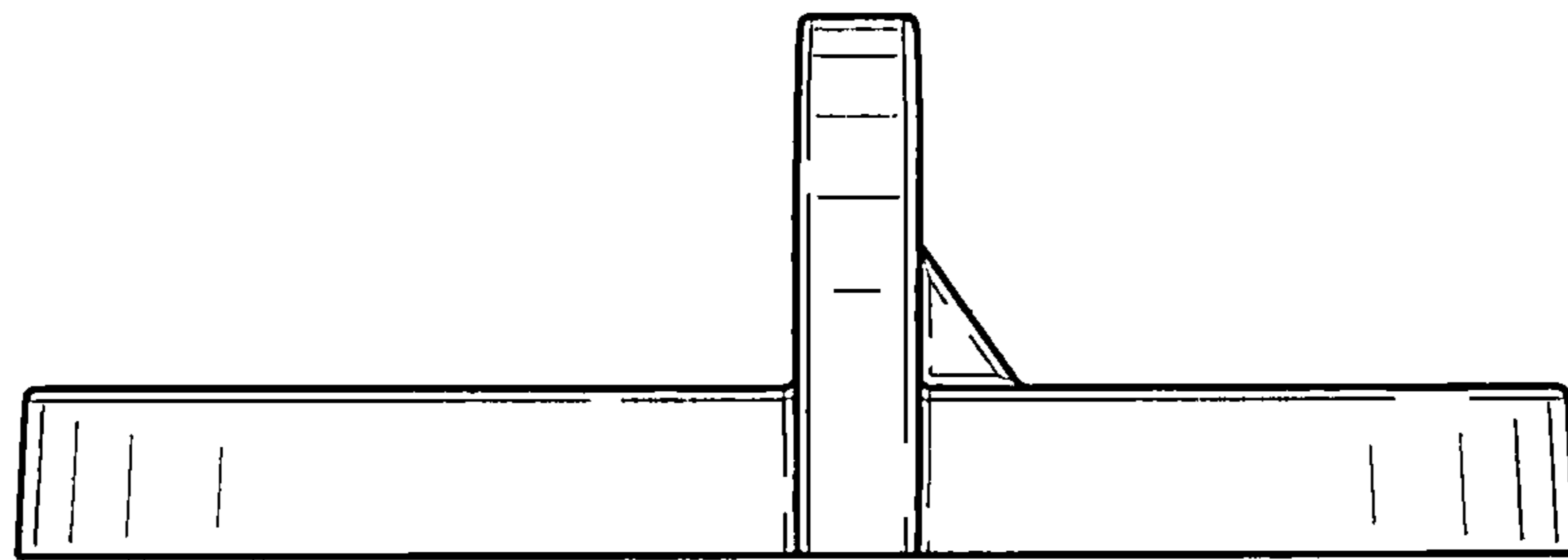


FIG. 5

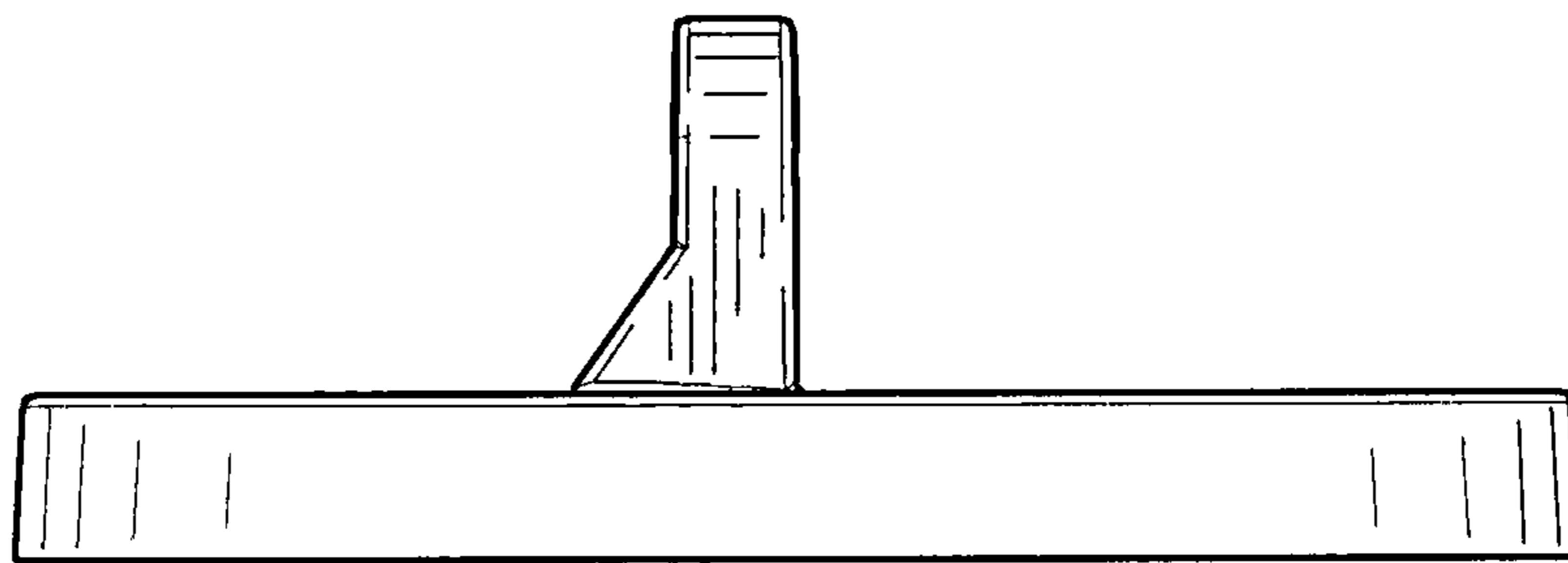


FIG. 6

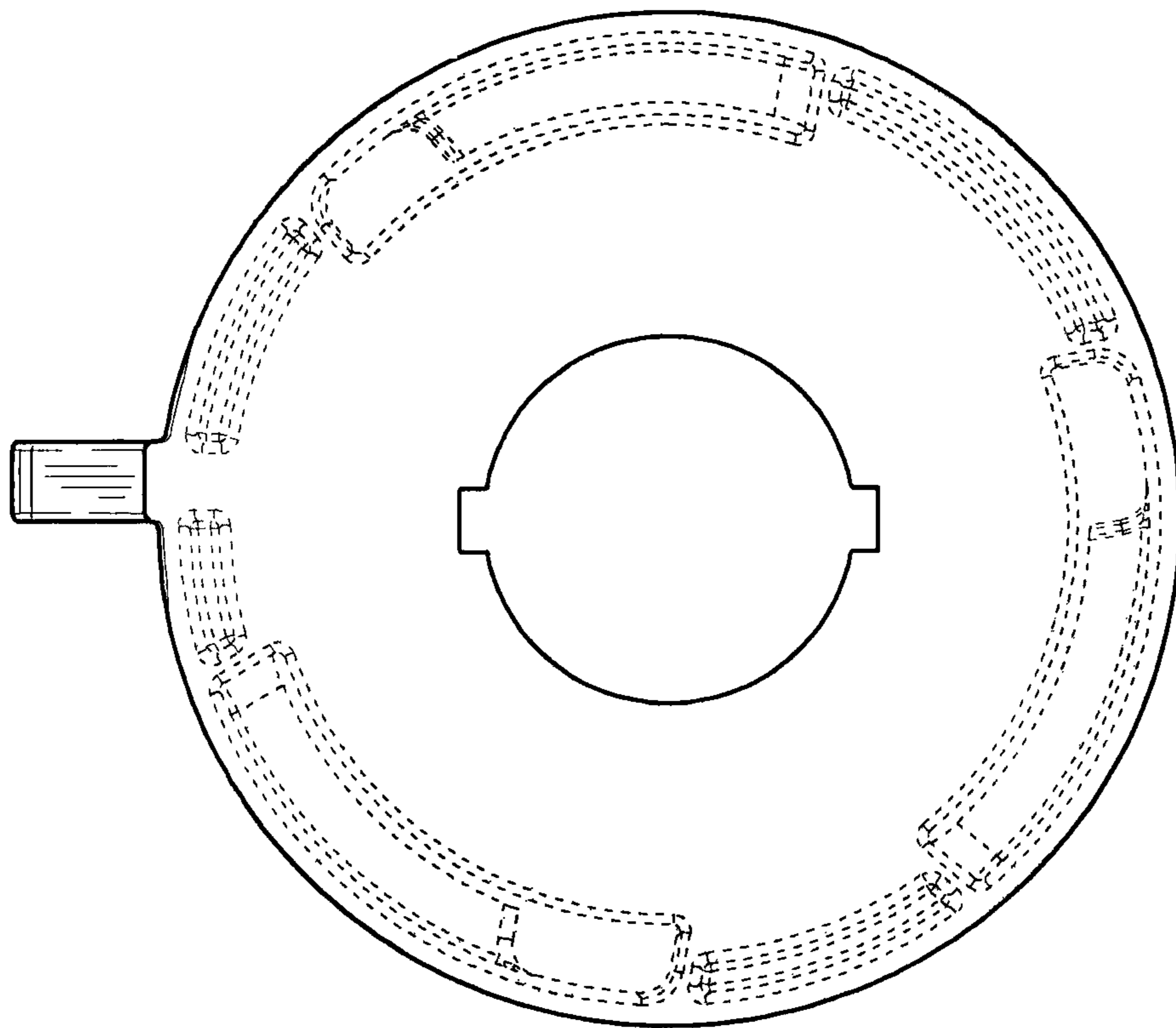


FIG. 7