



US00D721043S

(12) **United States Design Patent**  
**Tonnesen**

(10) **Patent No.:** **US D721,043 S**  
(45) **Date of Patent:** **\*\* Jan. 13, 2015**

(54) **ELECTRICAL OUTLET COVER**

(71) Applicant: **Eric Tonnesen**, New Hampton, NY (US)

(72) Inventor: **Eric Tonnesen**, New Hampton, NY (US)

(\*\*) Term: **14 Years**

(21) Appl. No.: **29/437,247**

(22) Filed: **Nov. 14, 2012**

(51) **LOC (10) Cl.** ..... **13-03**

(52) **U.S. Cl.**

USPC ..... **D13/156; D8/353**

(58) **Field of Classification Search**

USPC ..... D8/349, 350, 351, 353; D13/139.1,  
D13/152, 155, 156; 174/53, 55, 66, 67;  
700/108; 439/92, 536, 650; 220/3.8,  
220/3.3

See application file for complete search history.

(56) **References Cited**

**U.S. PATENT DOCUMENTS**

1,726,429	A *	8/1929	Ferris	.....	439/536
3,437,738	A *	4/1969	Wagner	.....	174/55
4,970,349	A *	11/1990	Jones	.....	174/67
D348,825	S *	7/1994	Below	.....	D8/353
5,835,980	A *	11/1998	Houssian	.....	174/67
5,932,845	A *	8/1999	Lacy	.....	174/67
5,961,345	A *	10/1999	Finn et al.	.....	439/536
5,998,735	A *	12/1999	Patterson, Jr.	.....	174/67
6,160,219	A *	12/2000	Maltby et al.	.....	174/66
6,215,066	B1 *	4/2001	Kelso et al.	.....	174/66
D482,661	S *	11/2003	Shotey et al.	.....	D13/156
6,977,342	B1 *	12/2005	Maltby et al.	.....	174/66
RE40,600	E *	12/2008	Maltby et al.	.....	174/66
7,633,009	B1 *	12/2009	Baldwin	.....	174/67
2007/0051528	A1 *	3/2007	Bangert	.....	174/66

\* cited by examiner

*Primary Examiner* — Derrick Holland

*Assistant Examiner* — Jennifer O King

(74) *Attorney, Agent, or Firm* — Harvey Lunenfeld

(57) **CLAIM**

The ornamental design for an electrical outlet cover, as shown and described.

**DESCRIPTION**

FIG. 1 is a front perspective view of an electrical outlet cover, showing my new design;

FIG. 2 is a rear perspective view of the electrical outlet cover of FIG. 1;

FIG. 3 is an exploded environmental perspective view of the electrical outlet cover of FIG. 1;

FIG. 4 is a front elevation view of the electrical outlet cover of FIG. 1;

FIG. 5 is a rear elevation view of the electrical outlet cover of FIG. 1;

FIG. 6 is a side elevation view of the electrical outlet cover of FIG. 1;

FIG. 7 is a top plan view of the electrical outlet cover of FIG. 1;

FIG. 8 is a cross section view taken along line 8-8 of FIG. 4;

FIG. 9 is a front perspective view of an electrical outlet cover, showing an alternate embodiment of my new design;

FIG. 10 is a rear perspective view of the electrical outlet cover of FIG. 9;

FIG. 11 is an exploded environmental perspective view of the electrical outlet cover of FIG. 9;

FIG. 12 is a front elevation view of the electrical outlet cover of FIG. 9;

FIG. 13 is a rear elevation view of the electrical outlet cover of FIG. 9;

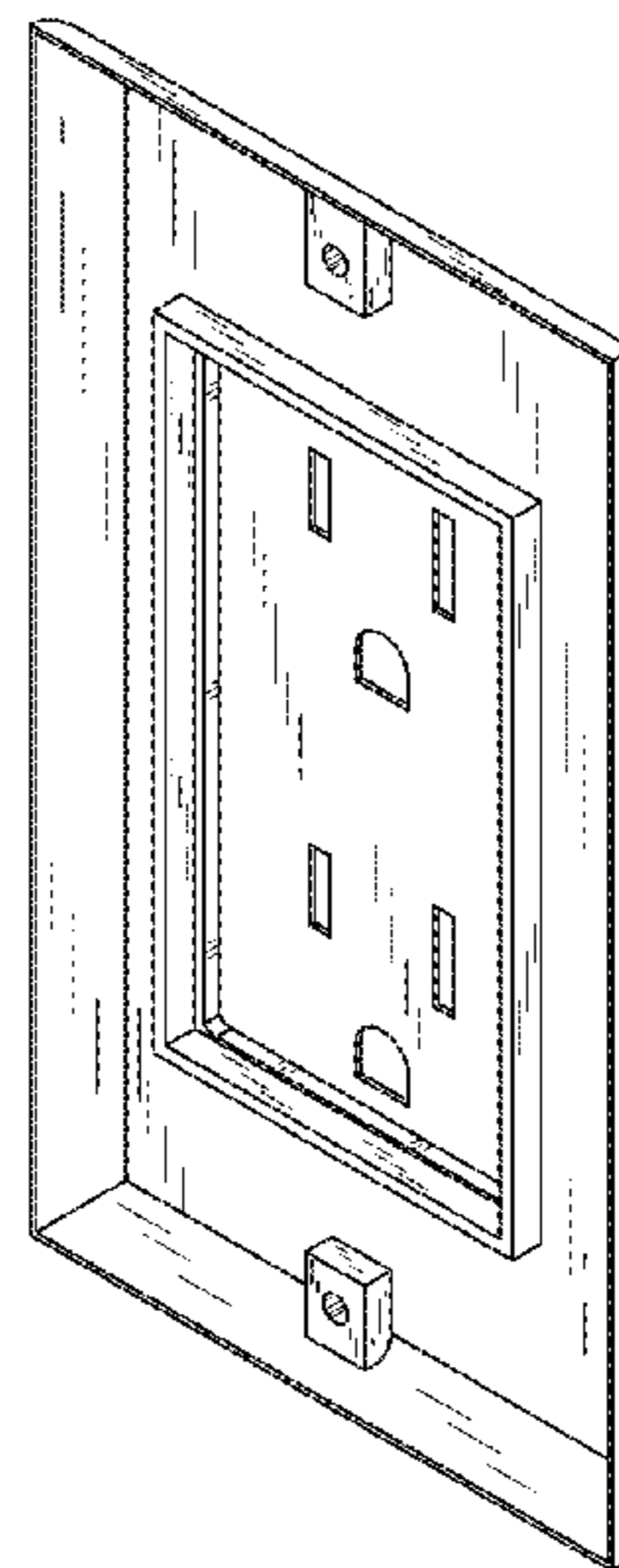
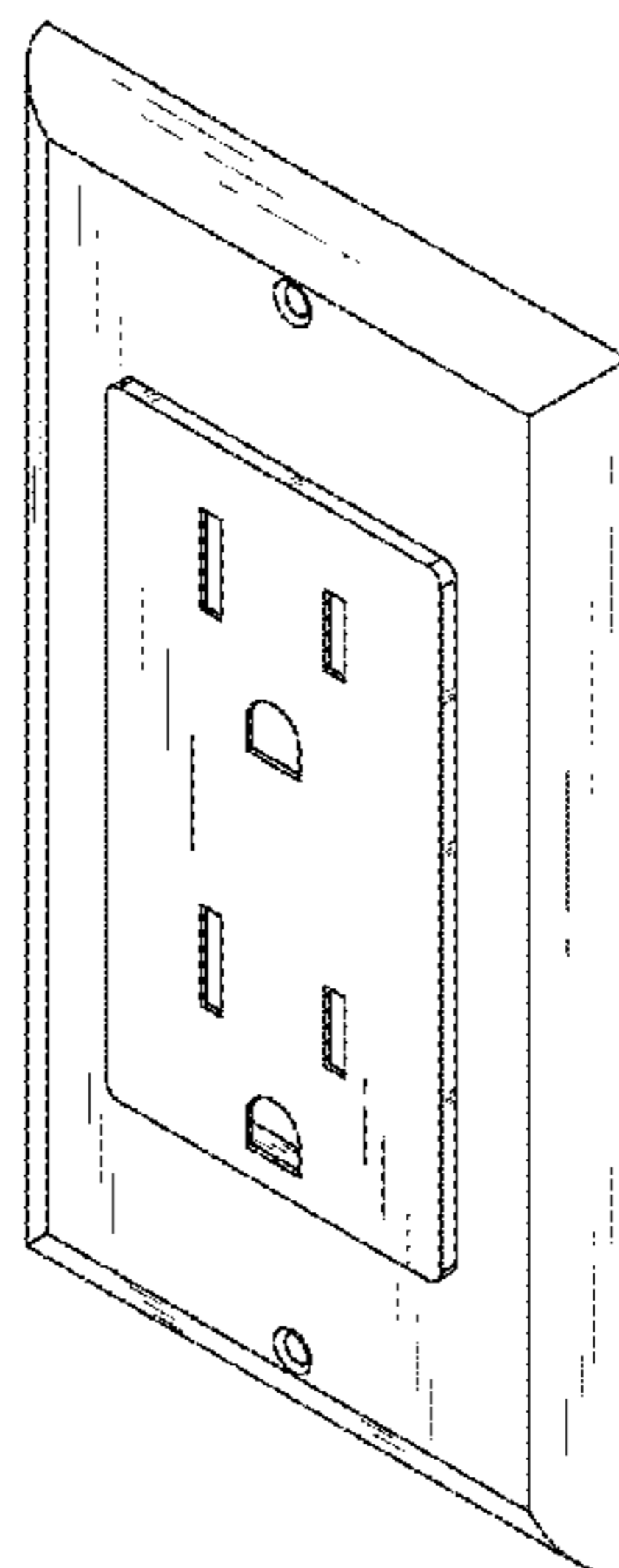
FIG. 14 is a side elevation view of the electrical outlet cover of FIG. 9;

FIG. 15 is a top plan view of the electrical outlet cover of FIG. 9; and,

FIG. 16 is a cross section view taken along line 16-16 of FIG. 12.

The broken lines shown represent unclaimed subject matter and form no part of the claimed design.

**1 Claim, 10 Drawing Sheets**



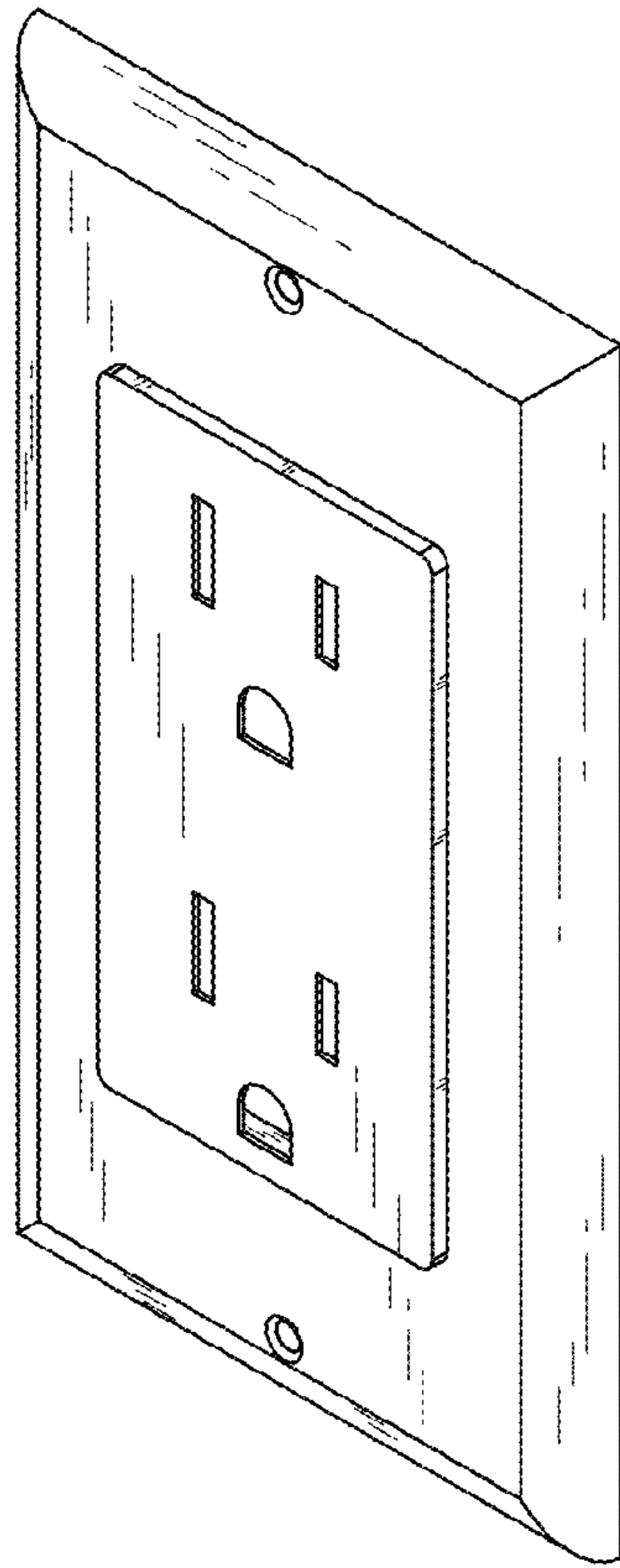


FIG. 1

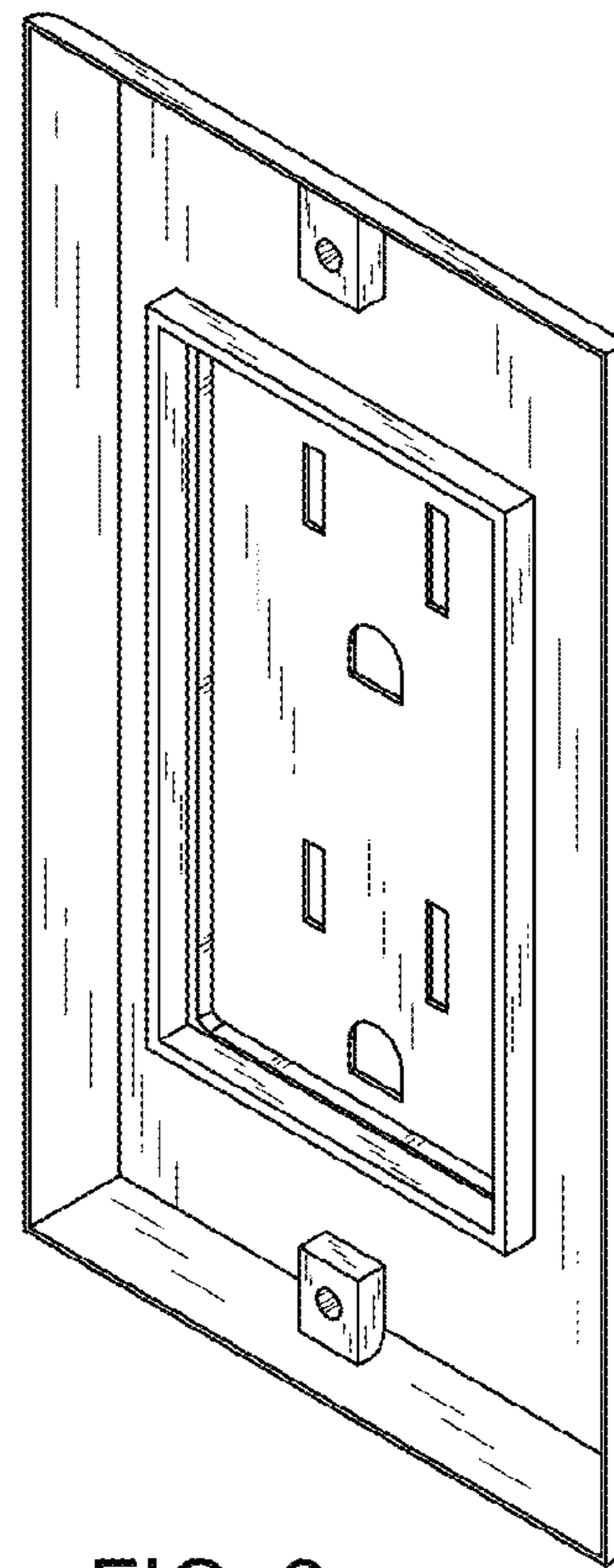


FIG. 2

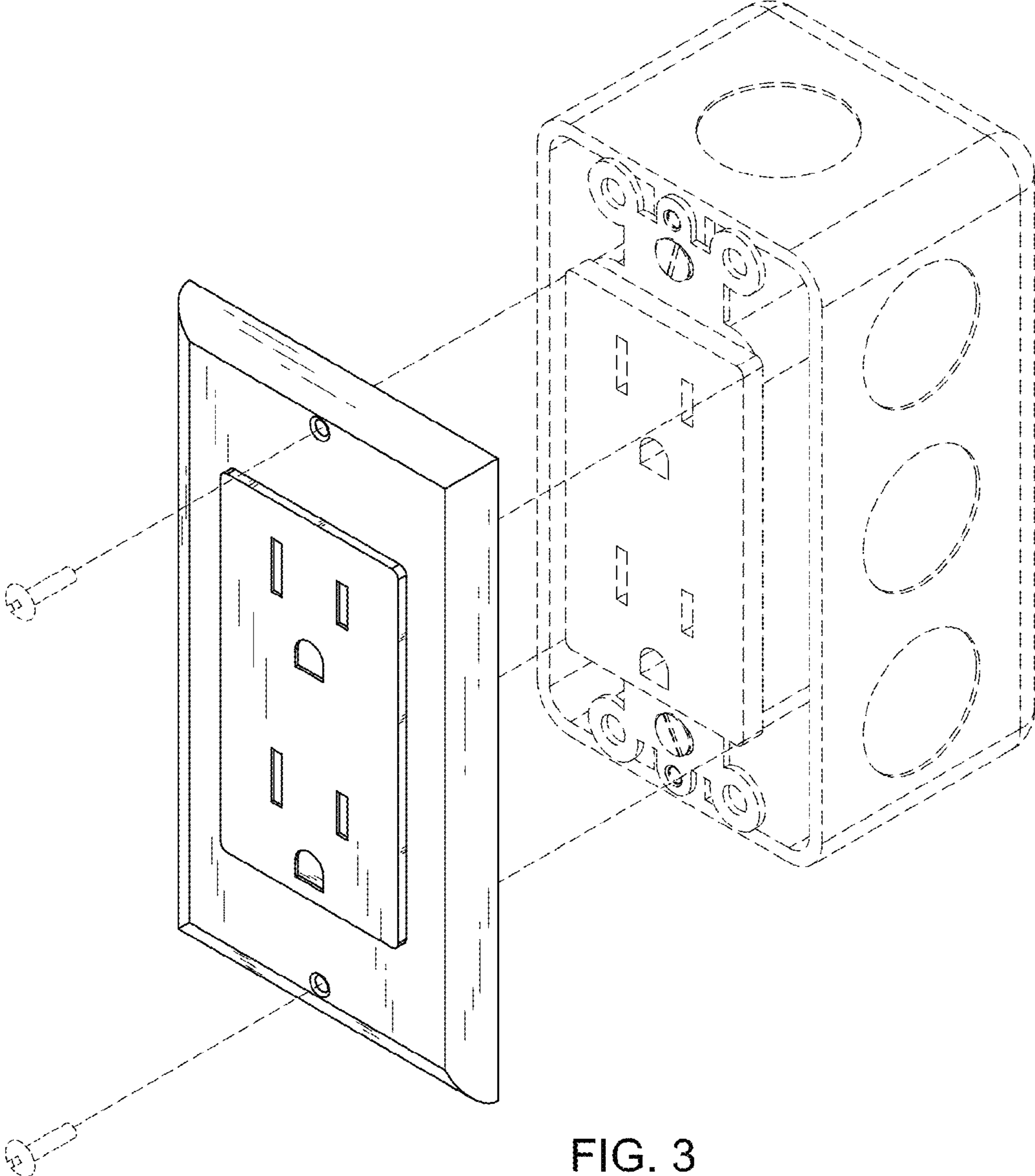


FIG. 3

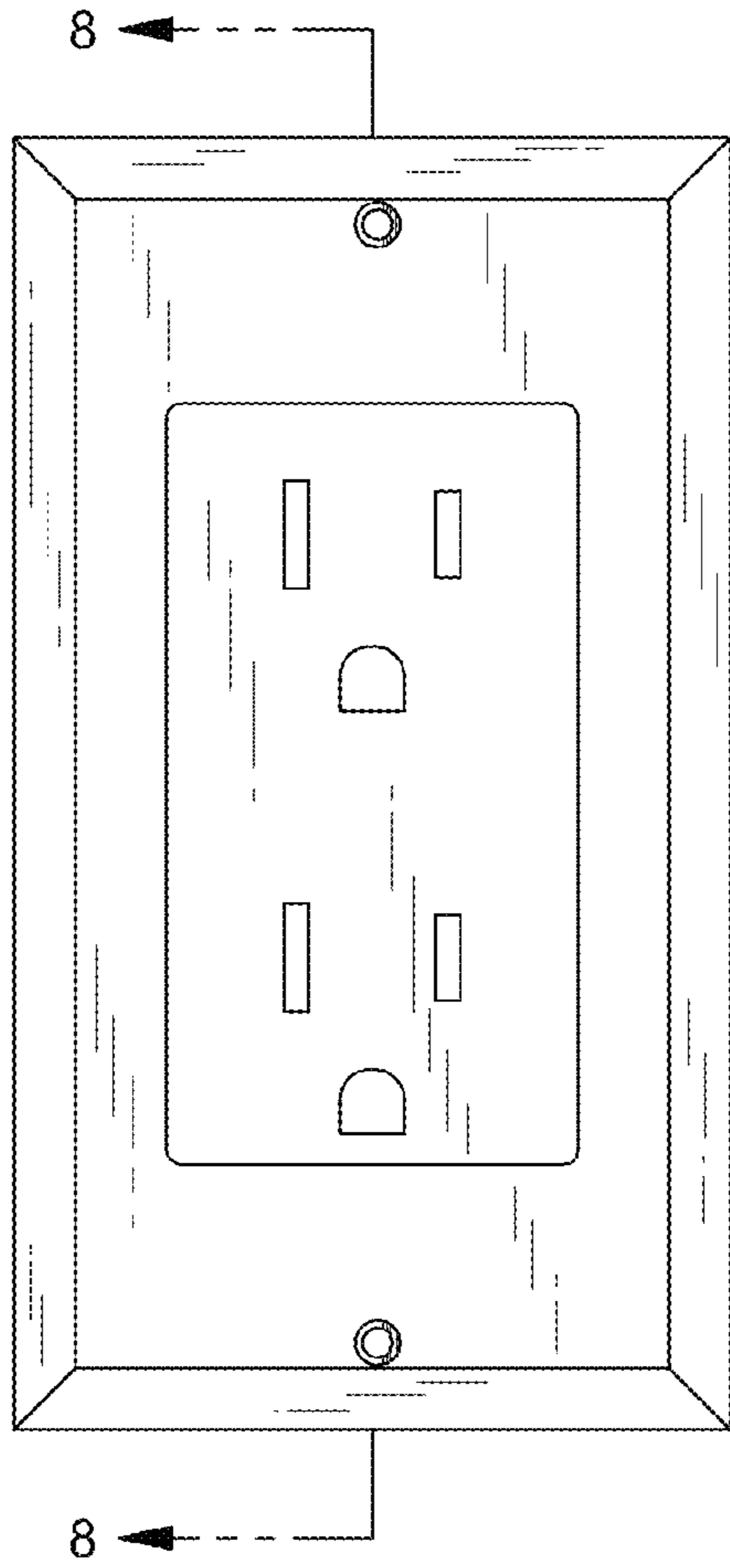


FIG. 4

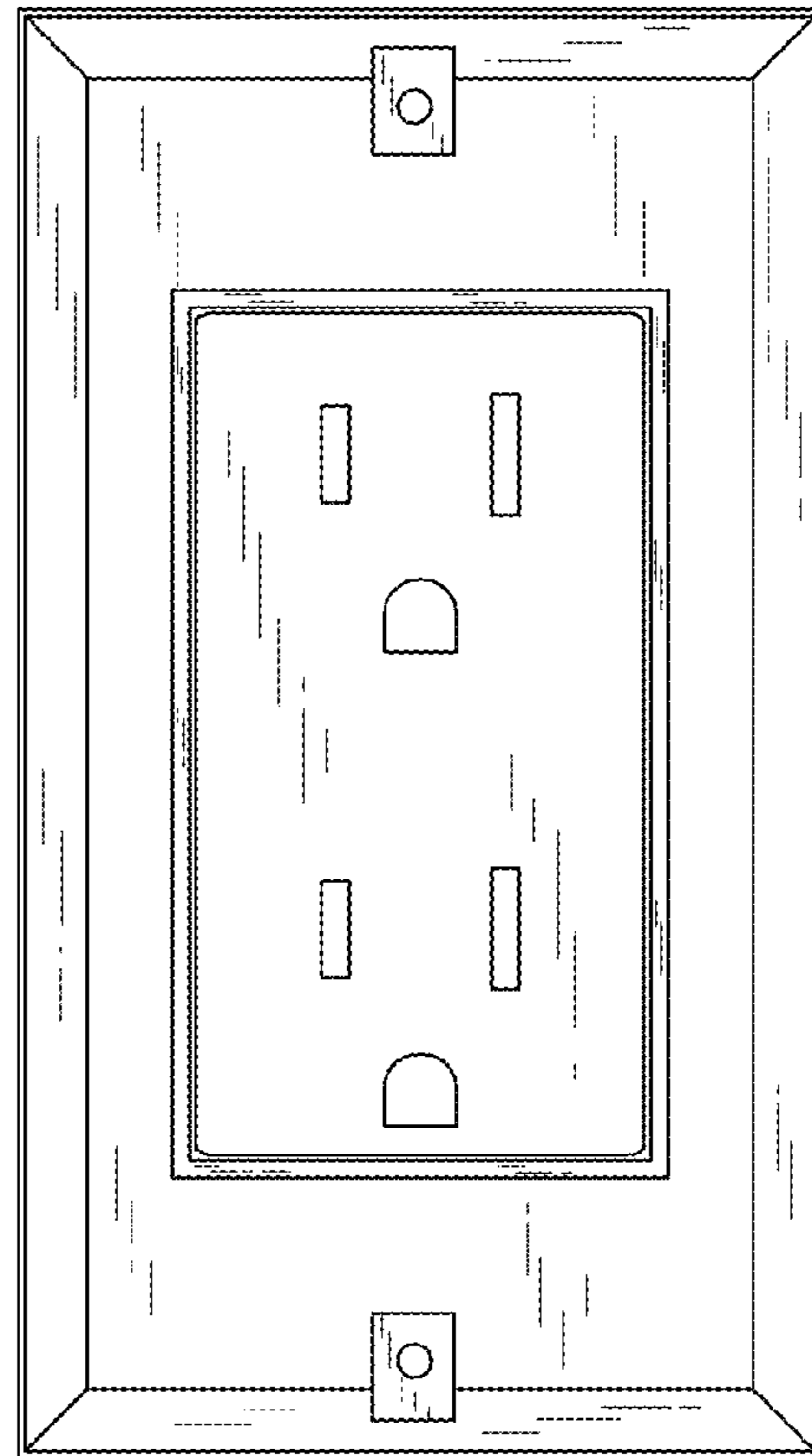


FIG. 5

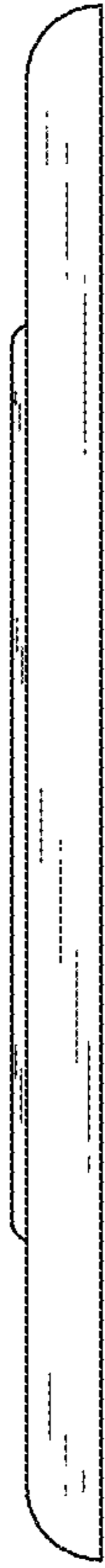


FIG. 6

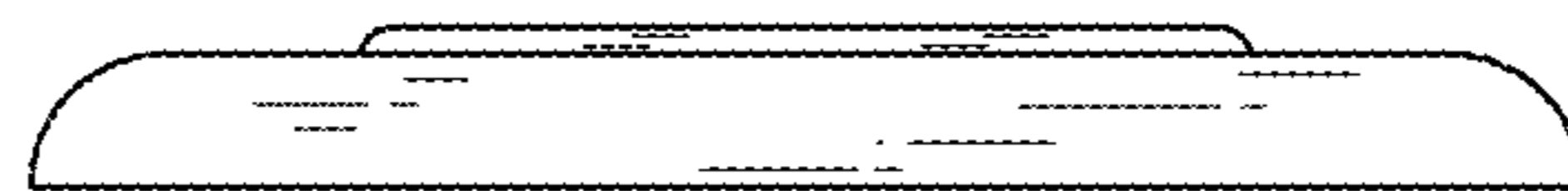


FIG. 7



FIG. 8



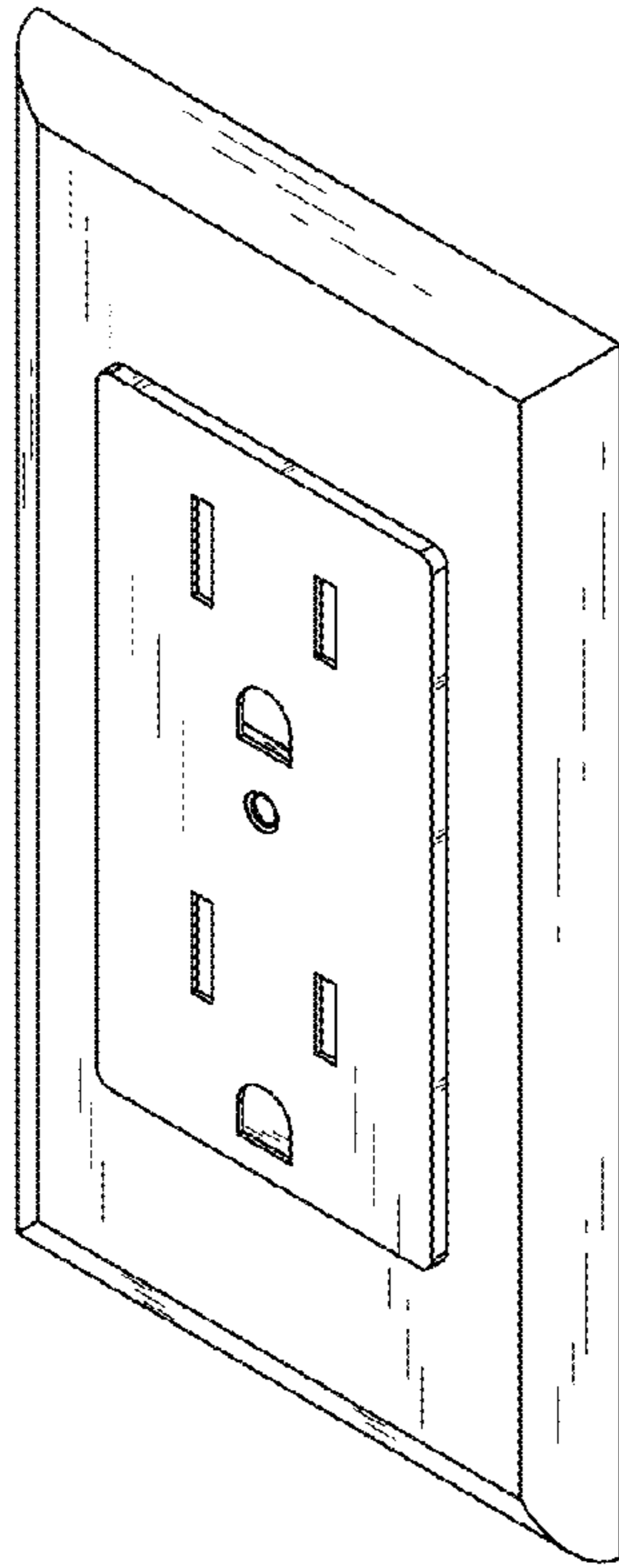


FIG. 9

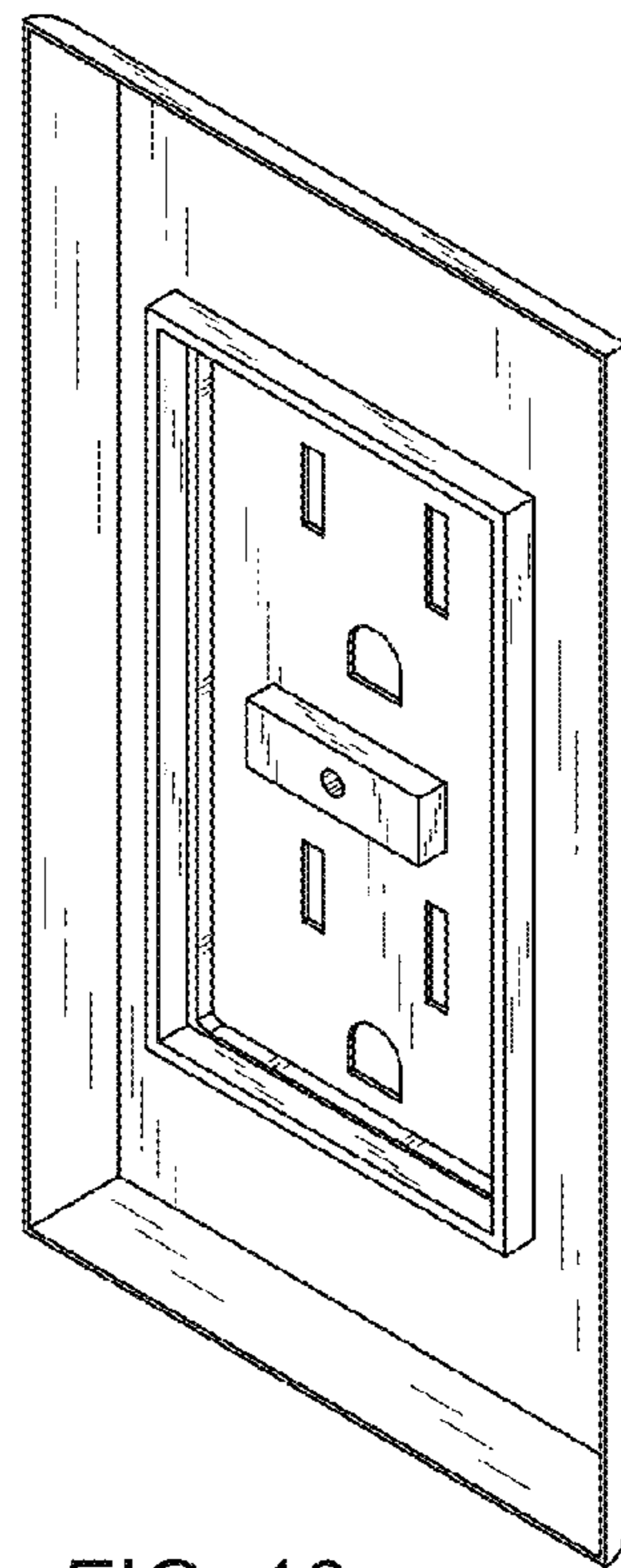


FIG. 10

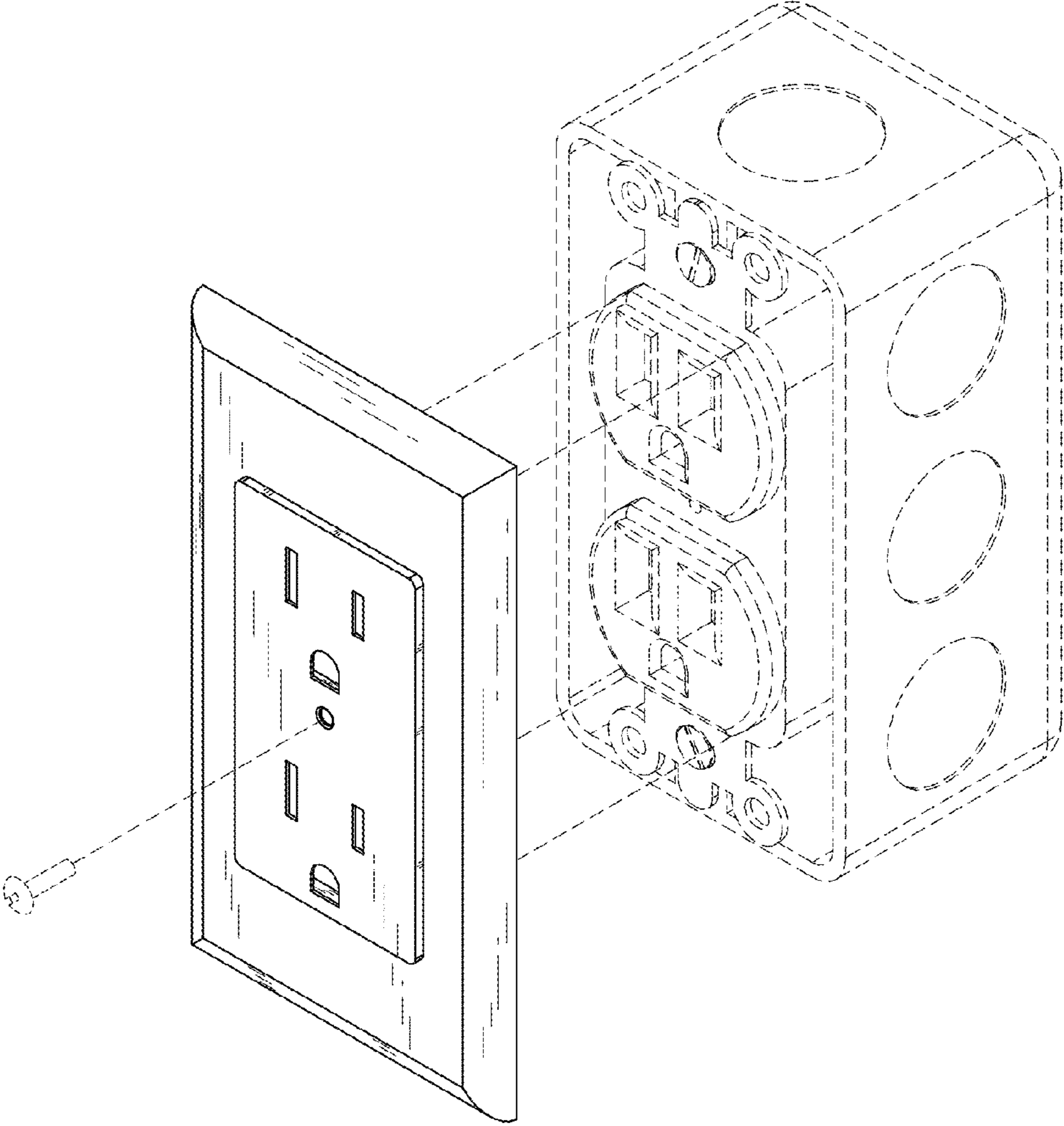


FIG. 11



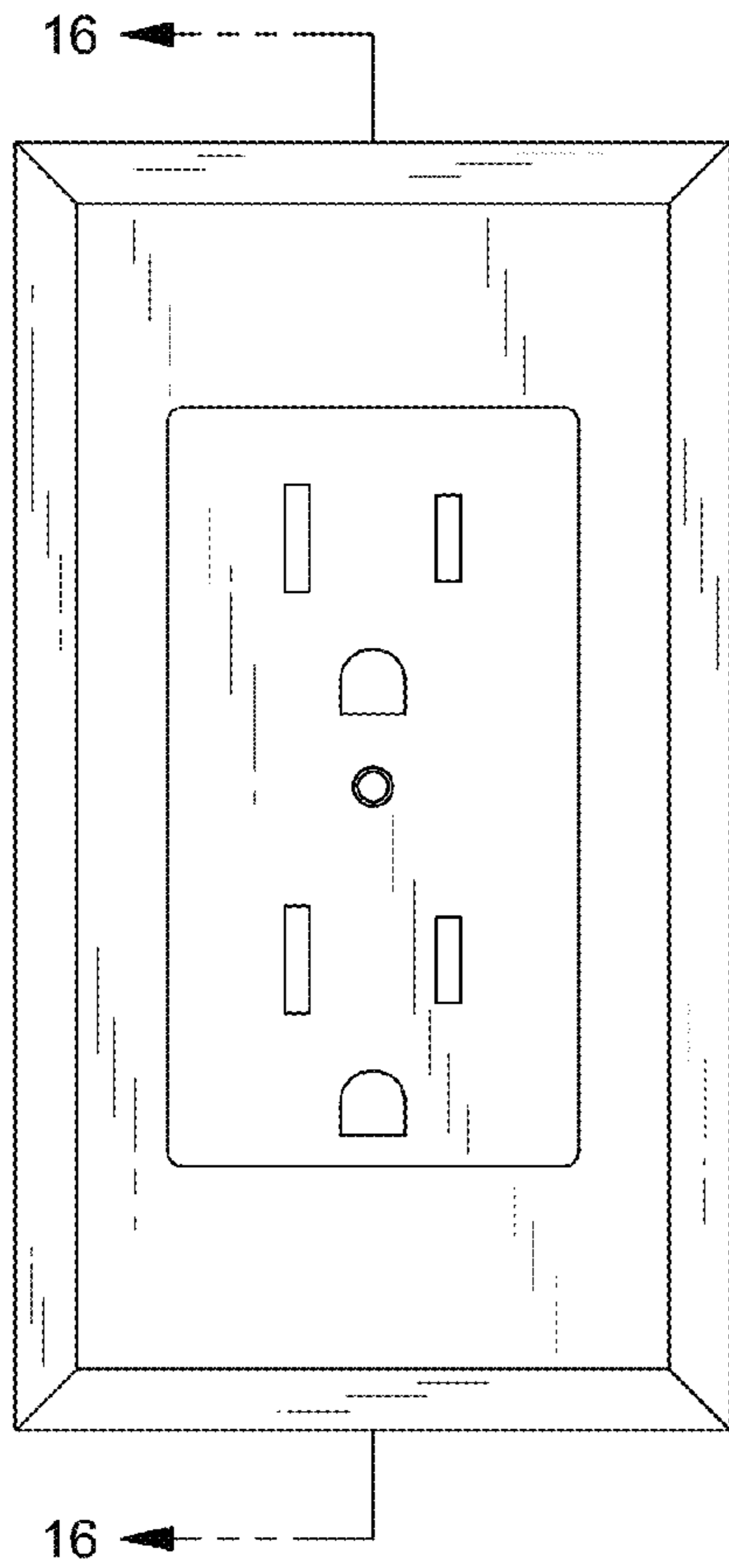


FIG. 12

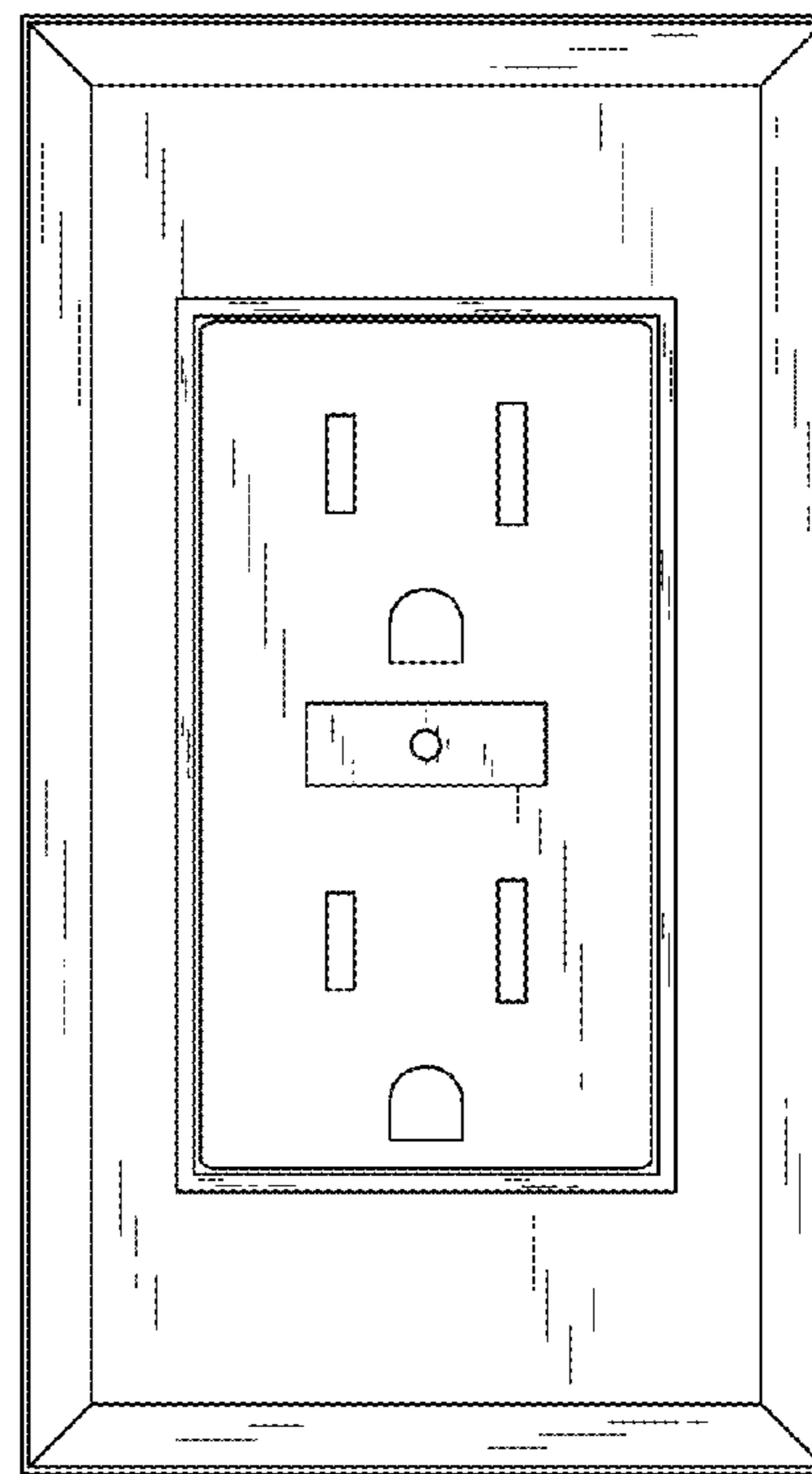


FIG. 13



FIG. 14



FIG. 15

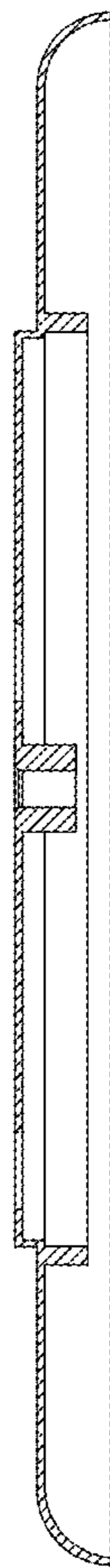


FIG. 16