



US00D721042S

(12) **United States Design Patent**
Sasano et al.

(10) **Patent No.:** **US D721,042 S**
(45) **Date of Patent:** **** Jan. 13, 2015**

(54) **CABLE CONNECTION MEMBER FOR TERMINAL BLOCK**

(71) Applicant: **OMRON Corporation**, Kyoto (JP)

(72) Inventors: **Naoya Sasano**, Kyoto (JP); **Makoto Sato**, Kyoto (JP)

(73) Assignee: **OMRON Corporation**, Kyoto (JP)

(**) Term: **14 Years**

(21) Appl. No.: **29/484,443**

(22) Filed: **Mar. 10, 2014**

Related U.S. Application Data

(62) Division of application No. 29/410,982, filed on Jan. 13, 2012, now Pat. No. Des. 704,666.

(30) **Foreign Application Priority Data**

Jul. 13, 2011 (JP) 2011-16105
Jul. 13, 2011 (JP) 2011-16106

(51) **LOC (10) Cl.** **13-03**

(52) **U.S. Cl.**
USPC **D13/154**

(58) **Field of Classification Search**
USPC D13/147, 154, 184, 194; 439/476.1, 439/502, 505, 607.01, 607.04, 607.05, 439/607.17, 607.25, 607.34, 607.41, 439/607.53, 623, 660, 668, 680, 792, 894
See application file for complete search history.

(56) **References Cited**

U.S. PATENT DOCUMENTS

3,771,111 A 11/1973 Pritulsky
4,759,726 A * 7/1988 Naylor et al. 439/441
6,851,967 B2 * 2/2005 Miyoshi et al. 439/441

D568,246 S 5/2008 Wu et al.
D601,970 S 10/2009 Peng et al.
D605,601 S 12/2009 Chen
D607,834 S 1/2010 Huang
D608,295 S 1/2010 Huang
D614,583 S 4/2010 Wang
D627,304 S 11/2010 Huang et al.
D660,248 S 5/2012 Zhang et al.
D660,249 S * 5/2012 Chen et al. D13/154
8,262,422 B1 * 9/2012 Chiang 439/835
8,485,841 B2 * 7/2013 Schrader 439/441
D704,145 S * 5/2014 Sasano et al. D13/154
D704,666 S * 5/2014 Sasano et al. D13/154
8,771,027 B2 * 7/2014 Zhang et al. 439/835

* cited by examiner

Primary Examiner — Daniel Bui

(74) *Attorney, Agent, or Firm* — Harness, Dickey & Pierce, P.L.C.

(57) **CLAIM**

The ornamental design for a cable connection member for terminal block, as shown and described.

DESCRIPTION

FIG. 1 is a top, front and left side perspective view of a cable connection member for terminal block showing our new design;
FIG. 2 is a bottom, front and right side perspective view thereof;
FIG. 3 is a front elevational view thereof;
FIG. 4 is a rear elevational view thereof;
FIG. 5 is a left side view thereof;
FIG. 6 is a right side view thereof;
FIG. 7 is a top plan view thereof;
FIG. 8 is a bottom plan view thereof;
FIG. 9 is an enlarged cross-sectional view taken along the line of IX-IX of FIG. 3; and,
FIG. 10 is an exploded perspective view thereof.

1 Claim, 5 Drawing Sheets

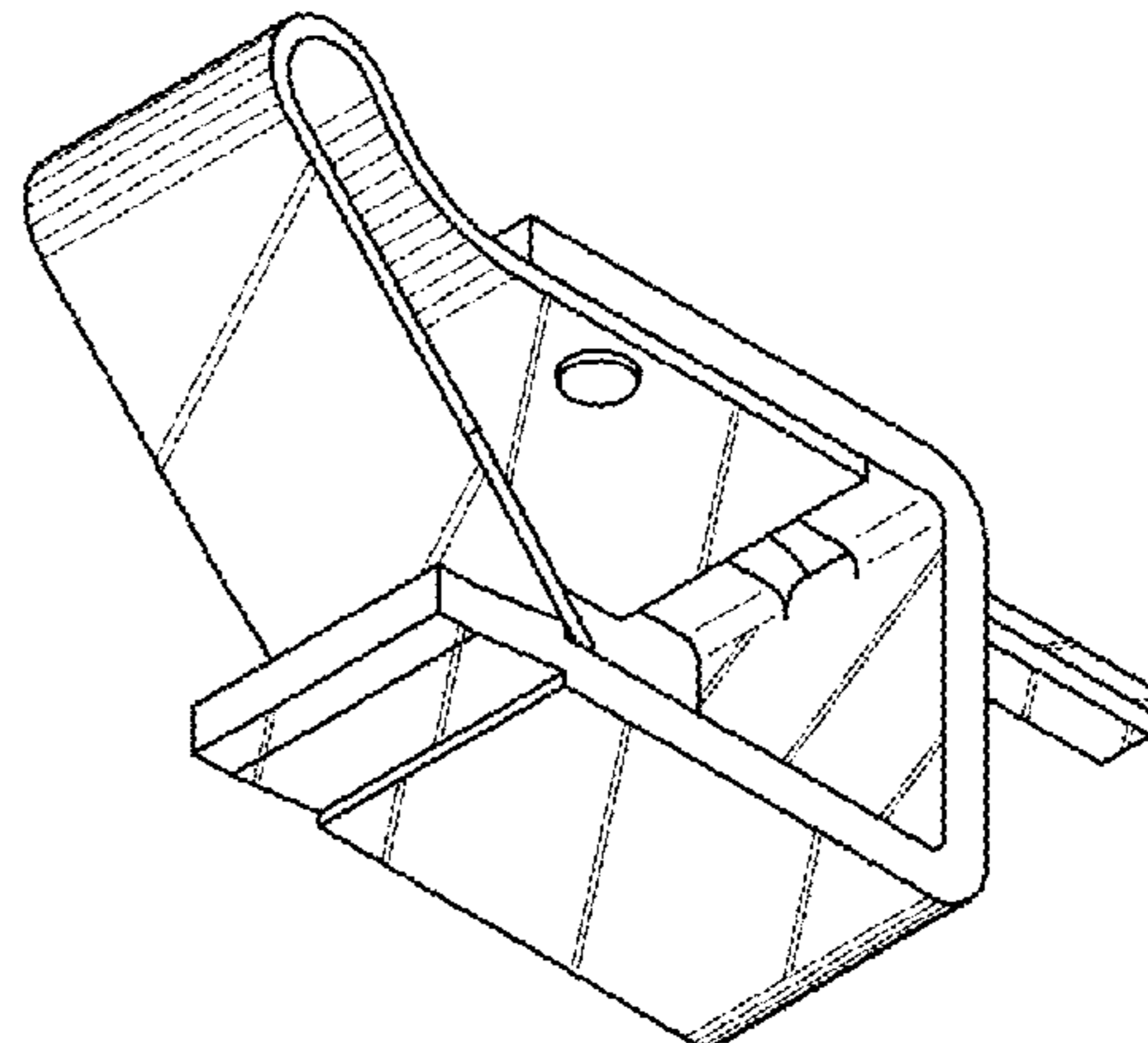
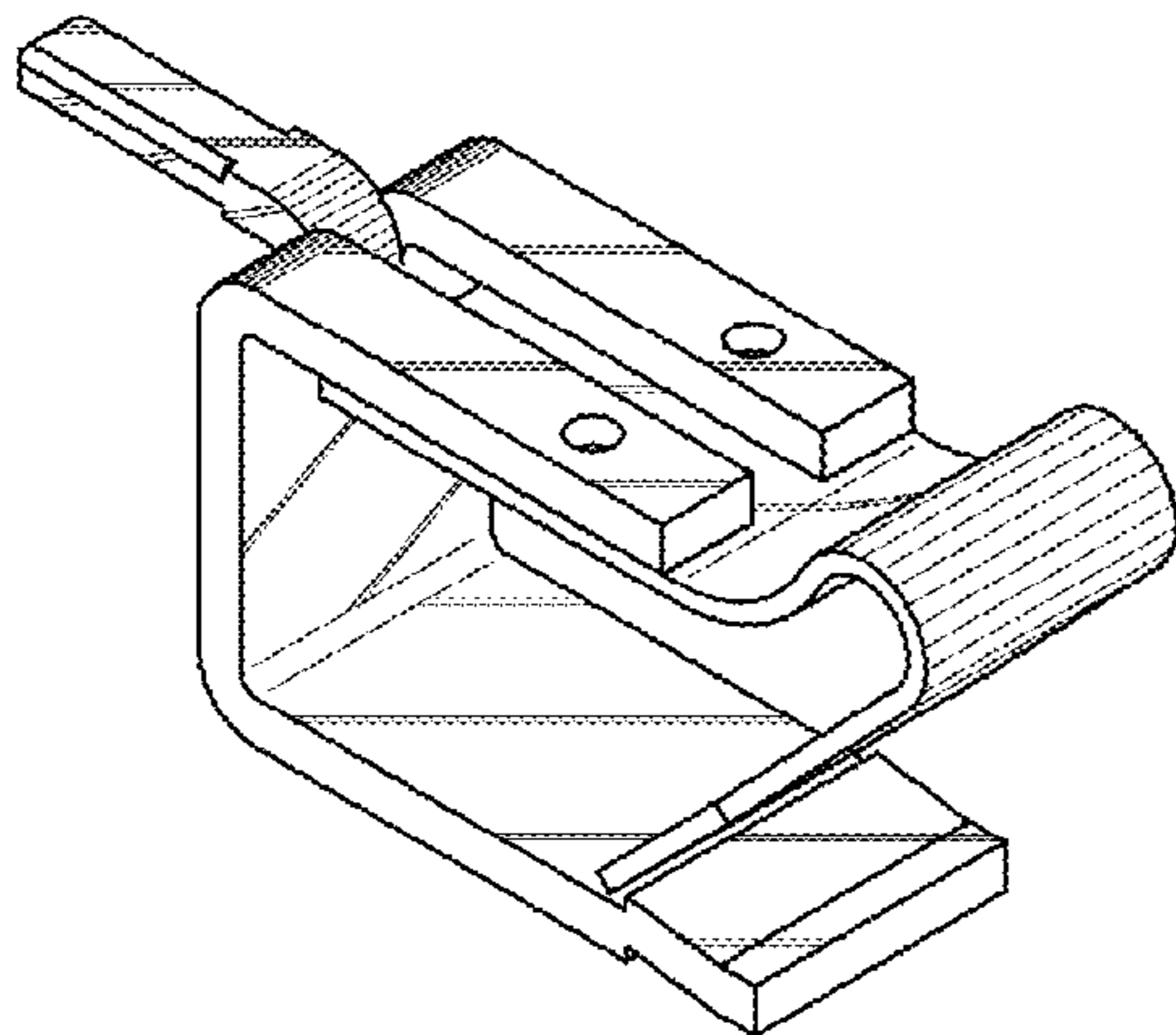


Fig. 1

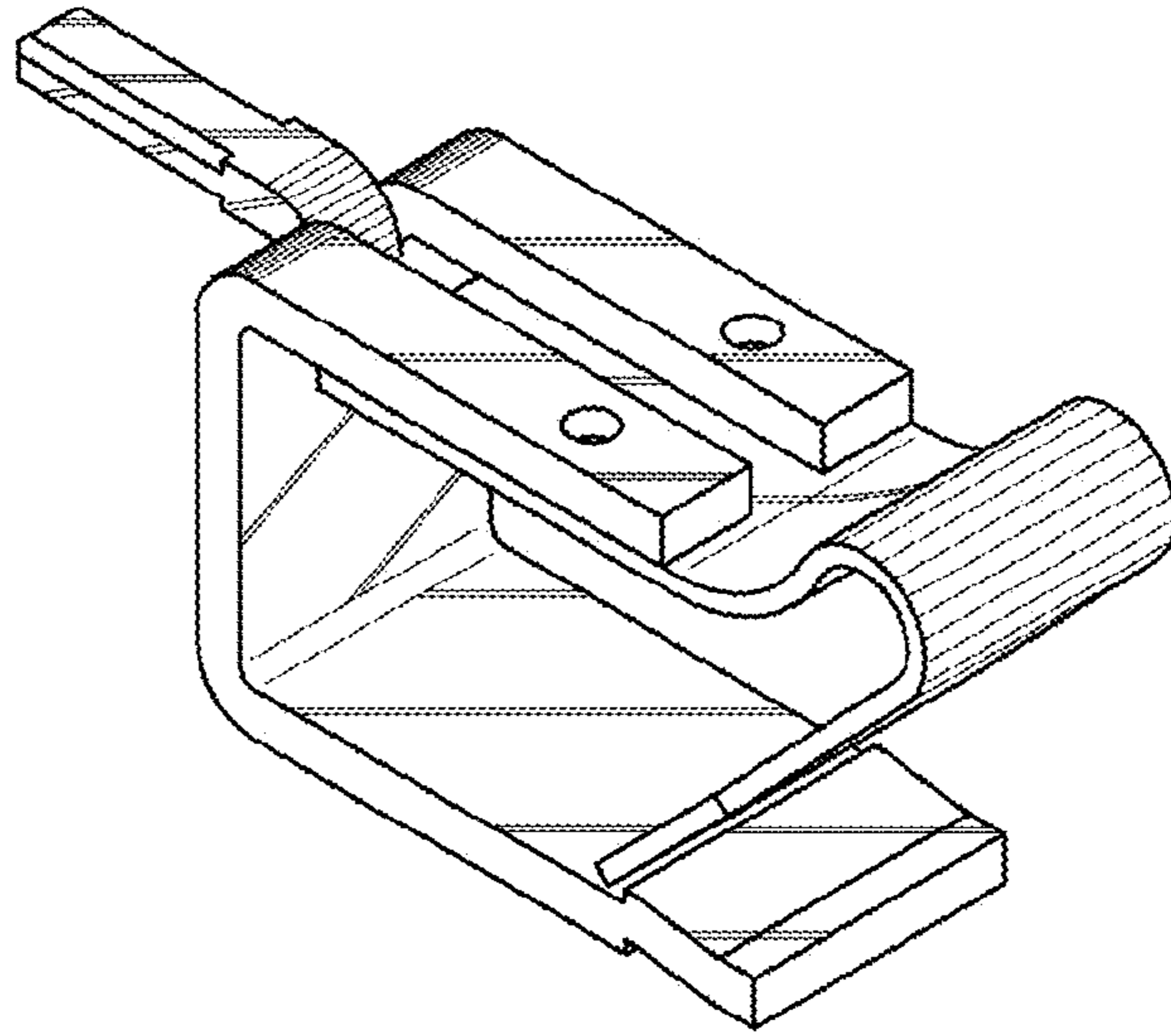


Fig. 2

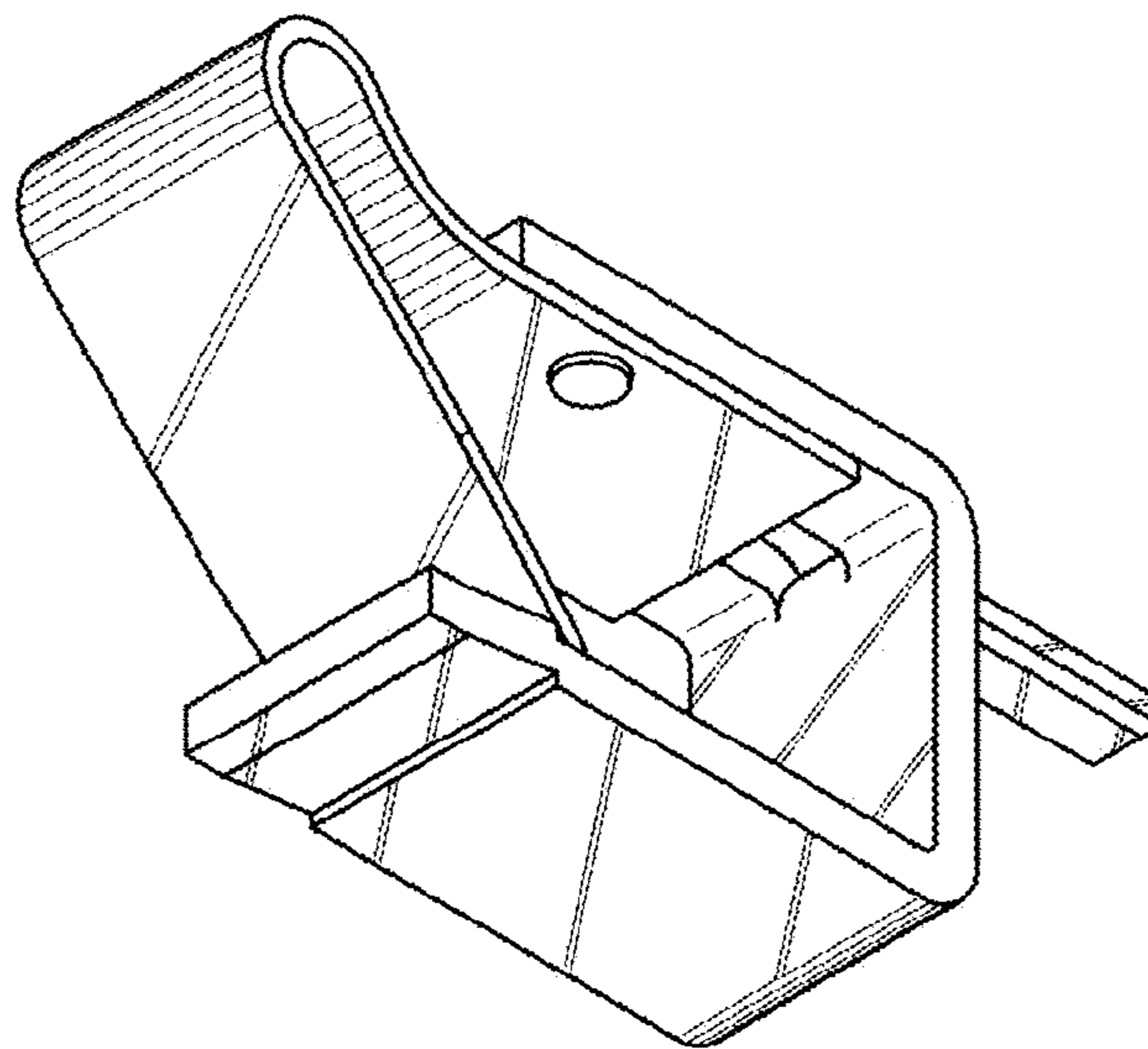


Fig. 3

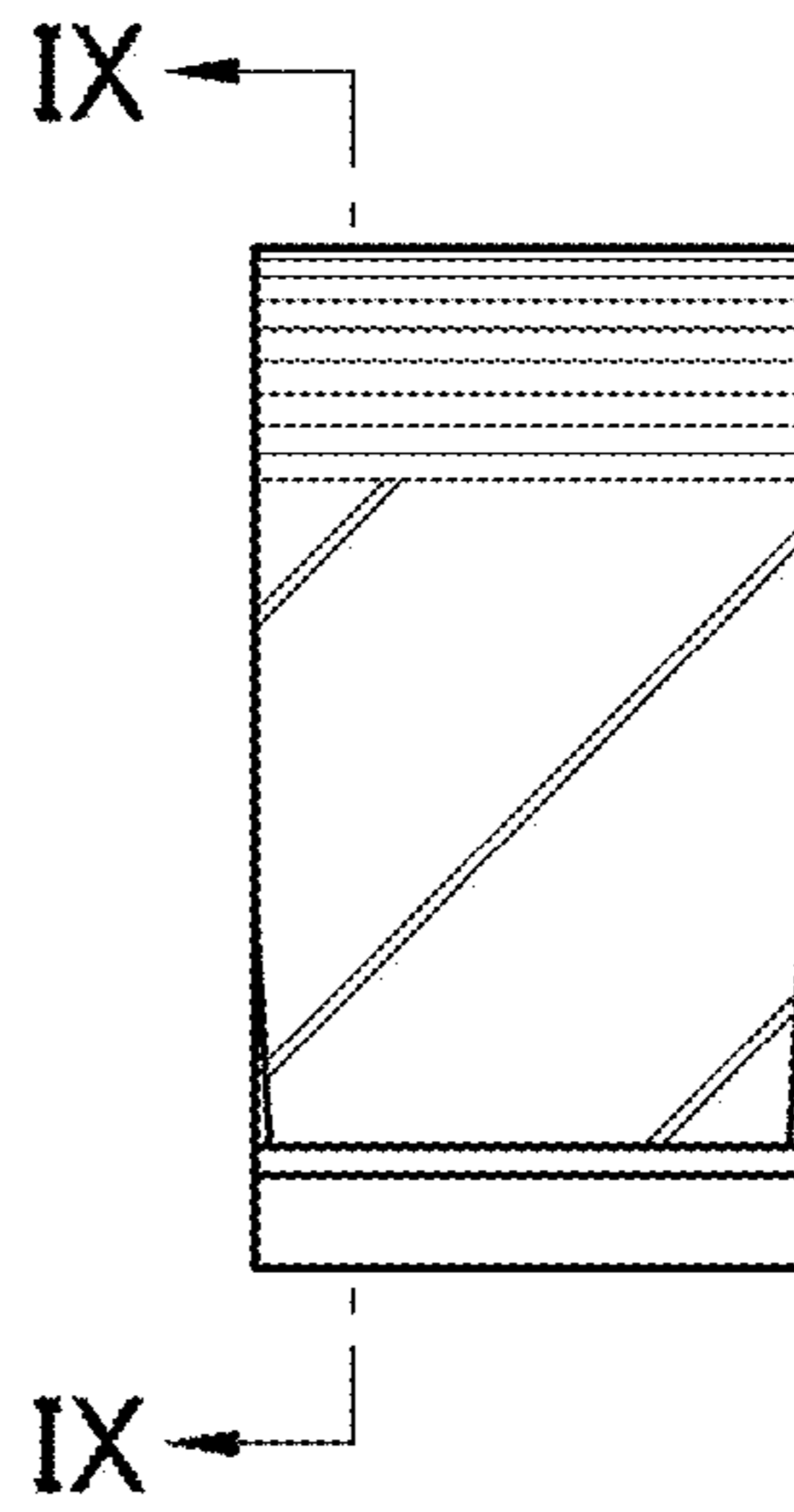


Fig. 4

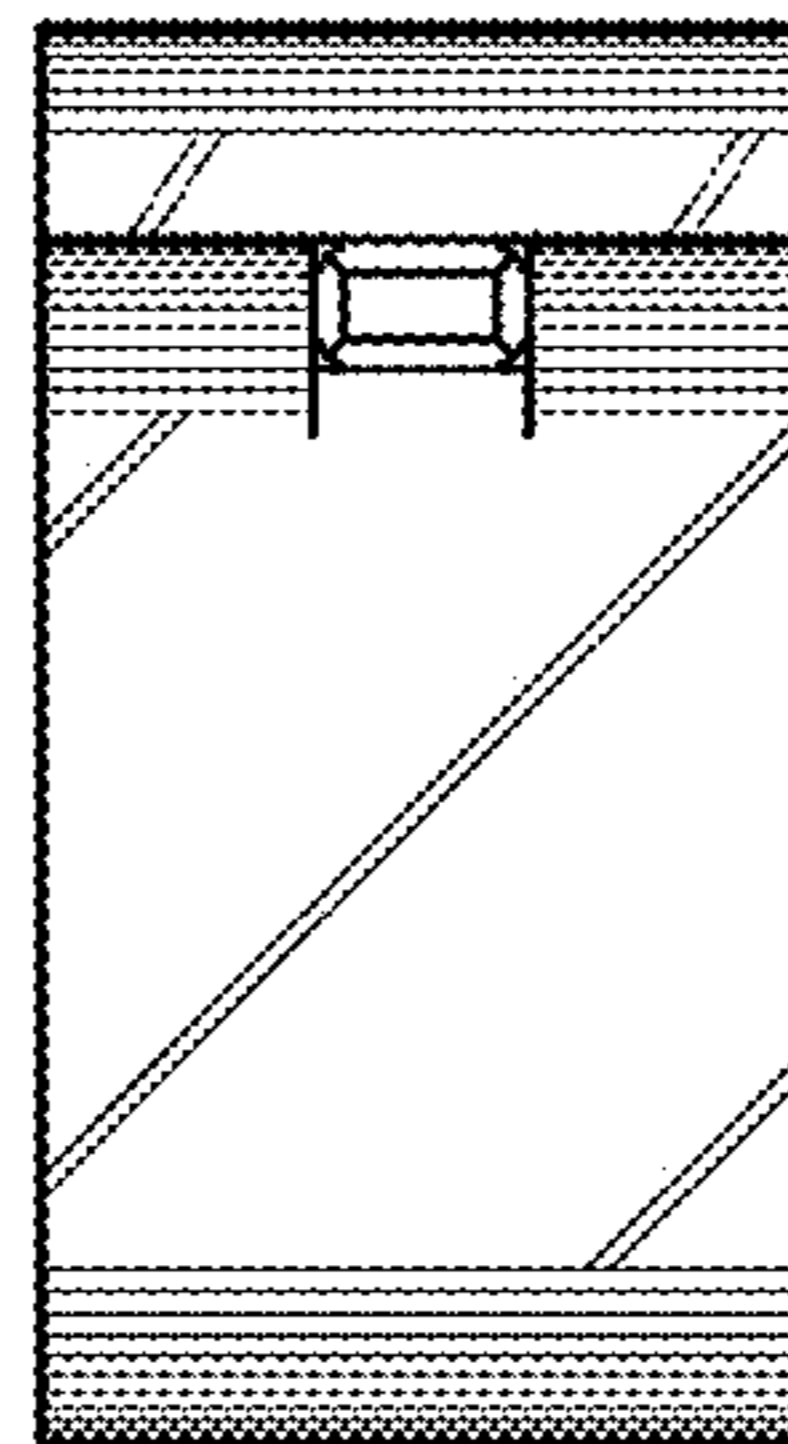


Fig. 5

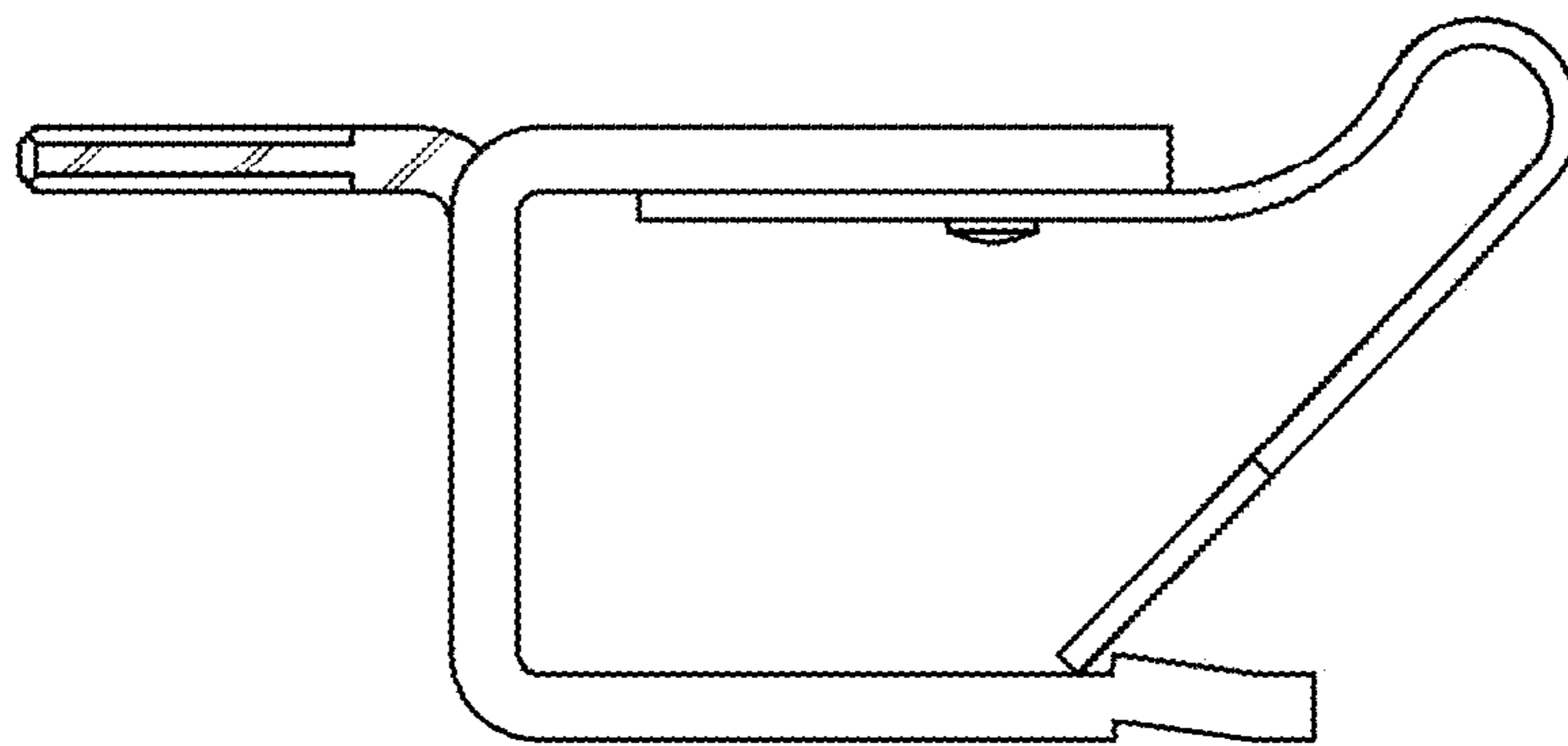


Fig. 6

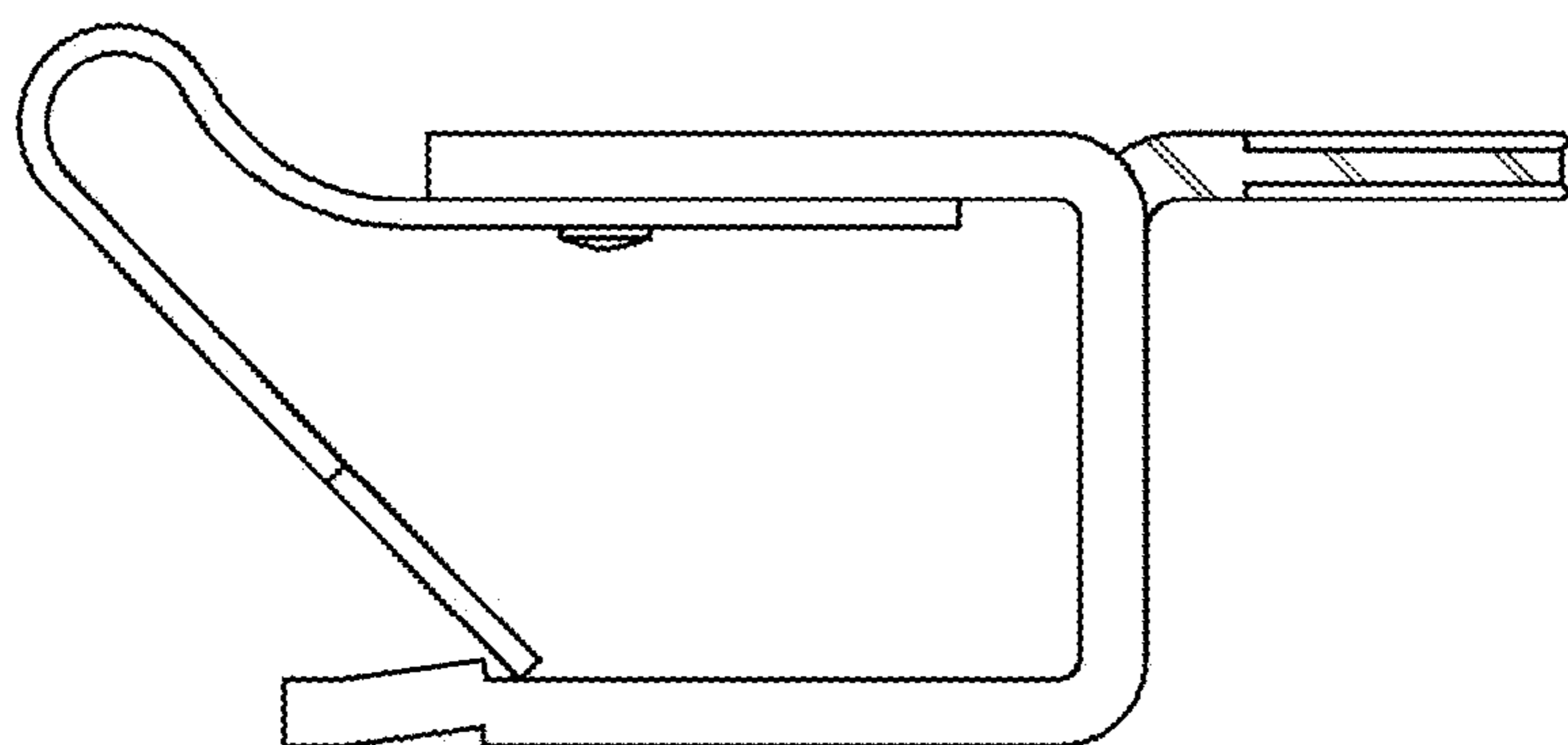


Fig. 7

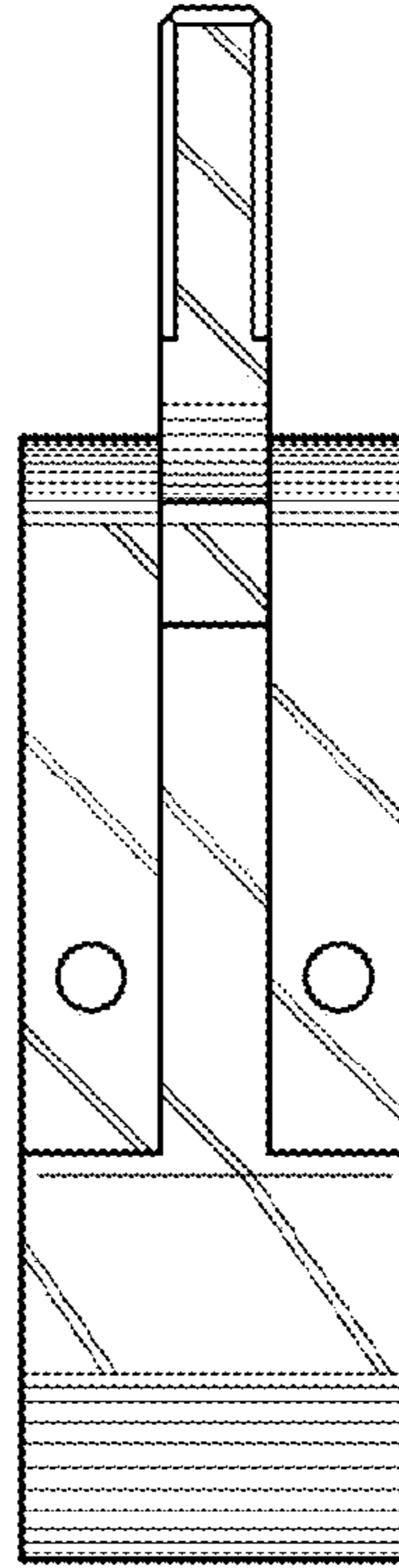


Fig. 8

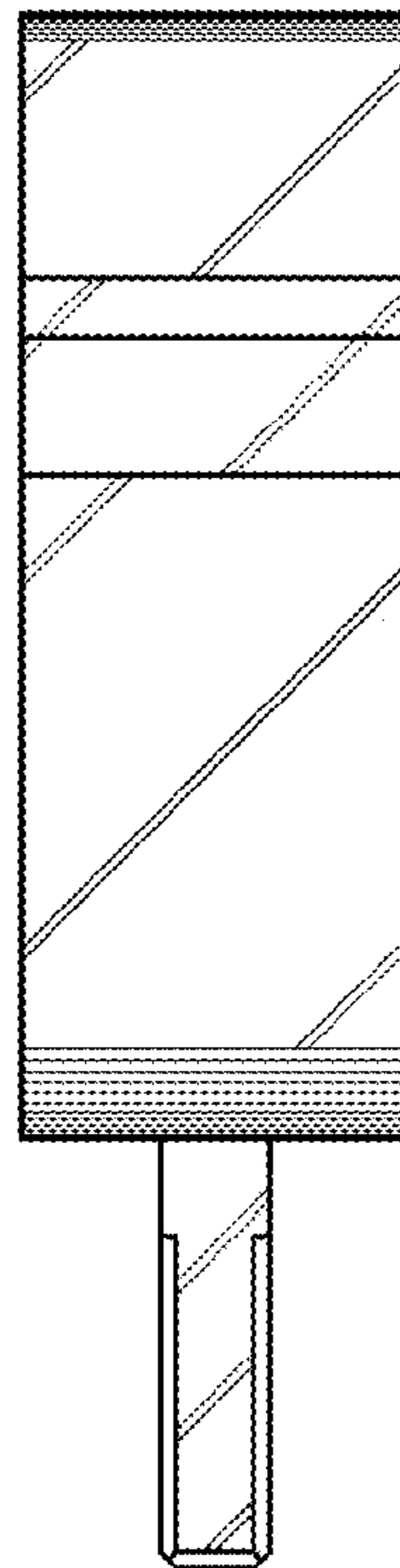


Fig. 9

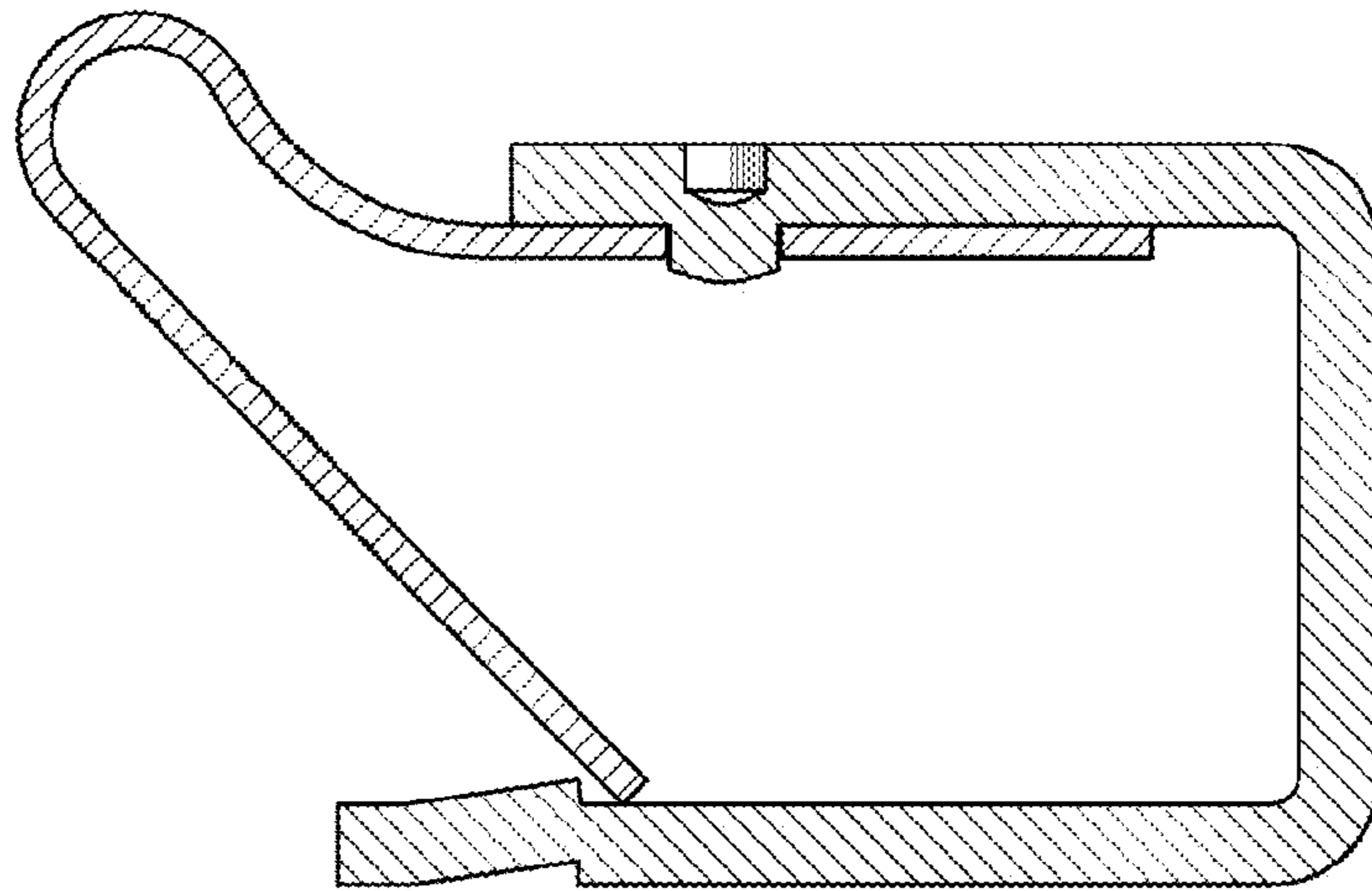


Fig. 10

