



US00D721041S

(12) **United States Design Patent**  
**Badowski**

(10) **Patent No.:** **US D721,041 S**  
(45) **Date of Patent:** **\*\* Jan. 13, 2015**

- (54) **OUTLET BOX**
- (71) Applicant: **Oatey Co.**, Cleveland, OH (US)
- (72) Inventor: **Clint David Badowski**, Spencer, OH (US)
- (73) Assignee: **Oatey Co.**, Cleveland, OH (US)
- (\*\*) Term: **14 Years**
- (21) Appl. No.: **29/473,509**
- (22) Filed: **Nov. 22, 2013**
- (51) **LOC (10) CL.** ..... **13-03**
- (52) **U.S. Cl.**  
USPC ..... **D13/152**
- (58) **Field of Classification Search**  
USPC ..... D13/152, 151, 147, 158, 153, 155, 156,  
D13/137.1, 137.4, 139.3, 139.2, 133, 184;  
220/3.2, 3.3, 3.4-3.9, 3.92, 3.94, 4.02;  
174/58, 50.56, 51; 439/675, 668, 623  
See application file for complete search history.

|           |      |         |                |       |          |
|-----------|------|---------|----------------|-------|----------|
| 7,432,440 | B2 * | 10/2008 | Hull et al.    | ..... | 174/50   |
| D640,204  | S *  | 6/2011  | Albag          | ..... | D13/152  |
| D679,252  | S *  | 4/2013  | Wagner et al.  | ..... | D13/152  |
| 8,701,911 | B2 * | 4/2014  | Youssef et al. | ..... | 220/4.02 |
| D708,146  | S *  | 7/2014  | Soni           | ..... | D13/155  |

\* cited by examiner

*Primary Examiner* — Ian Simmons  
*Assistant Examiner* — Rhea Shields  
(74) *Attorney, Agent, or Firm* — Calfee, Halter & Griswold LLP

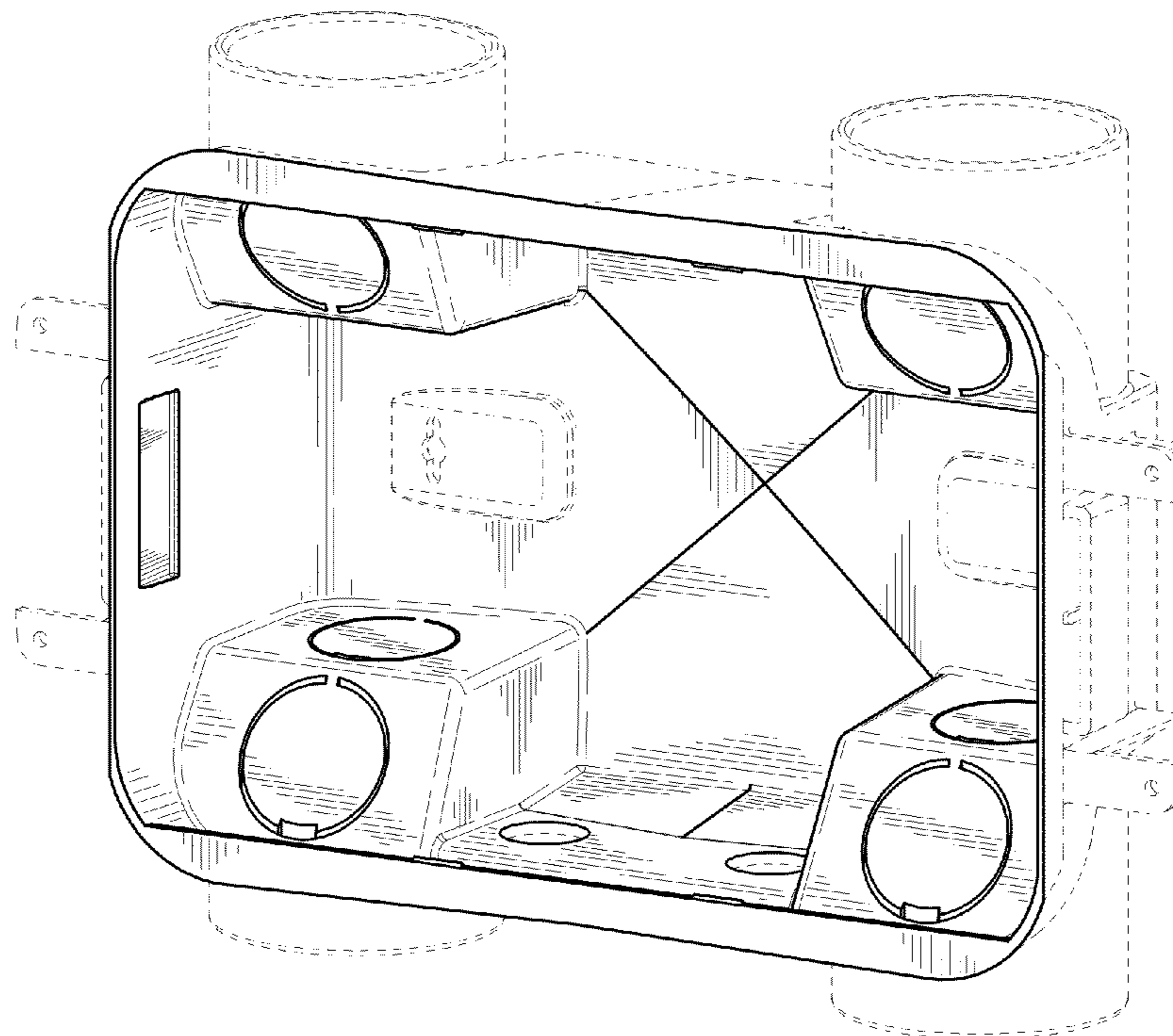
(57) **CLAIM**  
We claim the ornamental design for an outlet box, as shown and described.

**DESCRIPTION**

FIG. 1 is a front/right/top perspective view of the outlet box; FIG. 2 is a back/left/bottom perspective view thereof; FIG. 3 is a front elevational view thereof; FIG. 4 is a rear elevational view thereof; FIG. 5 is a left side elevational view thereof; FIG. 6 is a right side elevational view thereof; FIG. 7 is a top plan view thereof; and, FIG. 8 is a bottom plan view thereof. The dash-dot lines and broken lines immediately adjacent the shaded areas represent the bounds of the claimed design, while all other broken lines are directed to environment; the dash-dot lines and broken lines form no part of the claimed design.

**1 Claim, 3 Drawing Sheets**

- (56) **References Cited**  
U.S. PATENT DOCUMENTS
- |          |     |         |                |       |         |
|----------|-----|---------|----------------|-------|---------|
| D410,630 | S * | 6/1999  | Kodaira et al. | ..... | D13/151 |
| D461,779 | S * | 8/2002  | Hughes         | ..... | D13/152 |
| D499,069 | S * | 11/2004 | Stanush et al. | ..... | D13/152 |
| D507,539 | S * | 7/2005  | Hull et al.    | ..... | D13/152 |
| D545,765 | S * | 7/2007  | Cockburn       | ..... | D13/147 |
| D549,663 | S * | 8/2007  | Tsou et al.    | ..... | D13/158 |
| D553,093 | S * | 10/2007 | Miller         | ..... | D13/152 |
| D570,292 | S * | 6/2008  | Schulz et al.  | ..... | D13/152 |



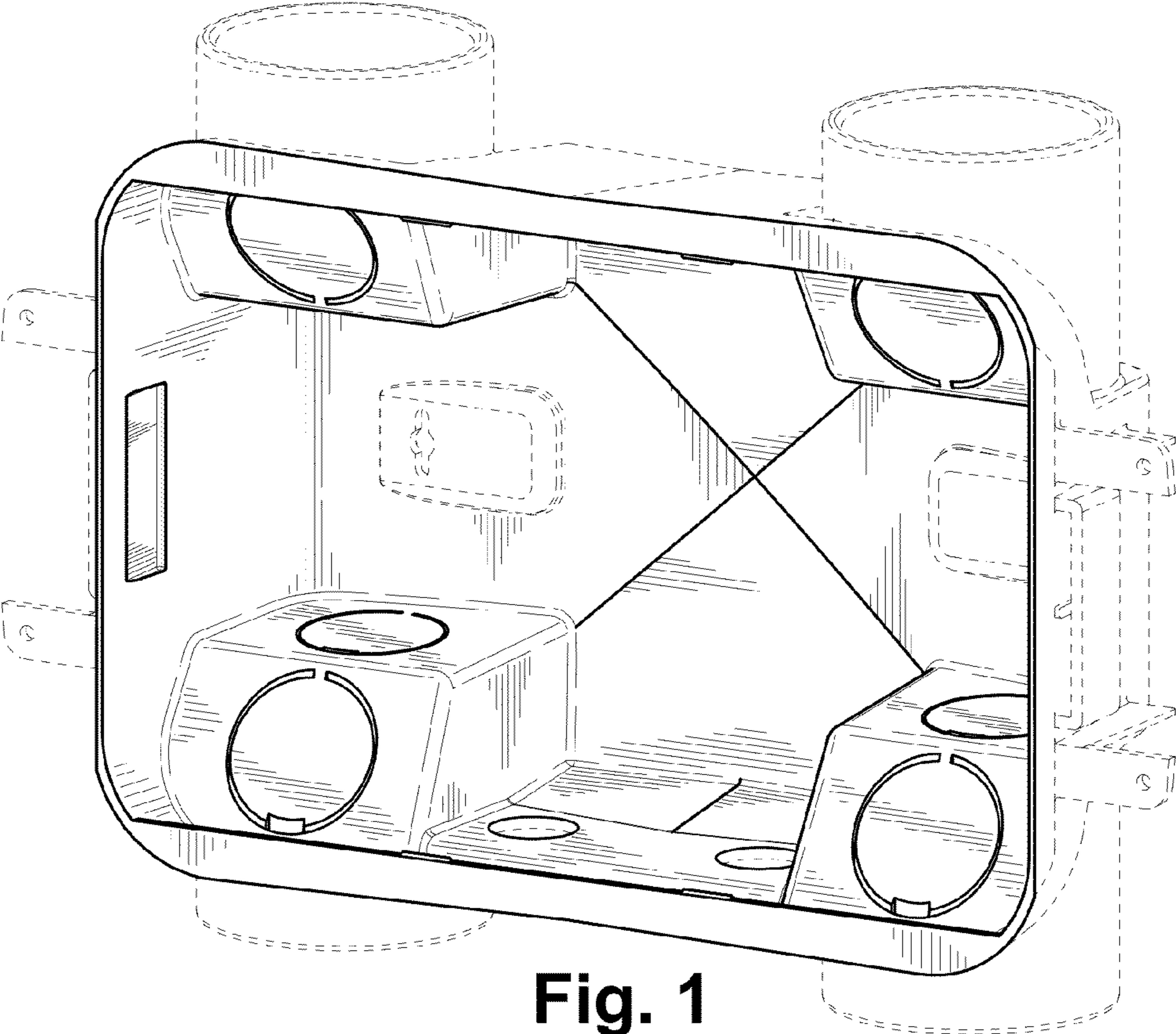


Fig. 1

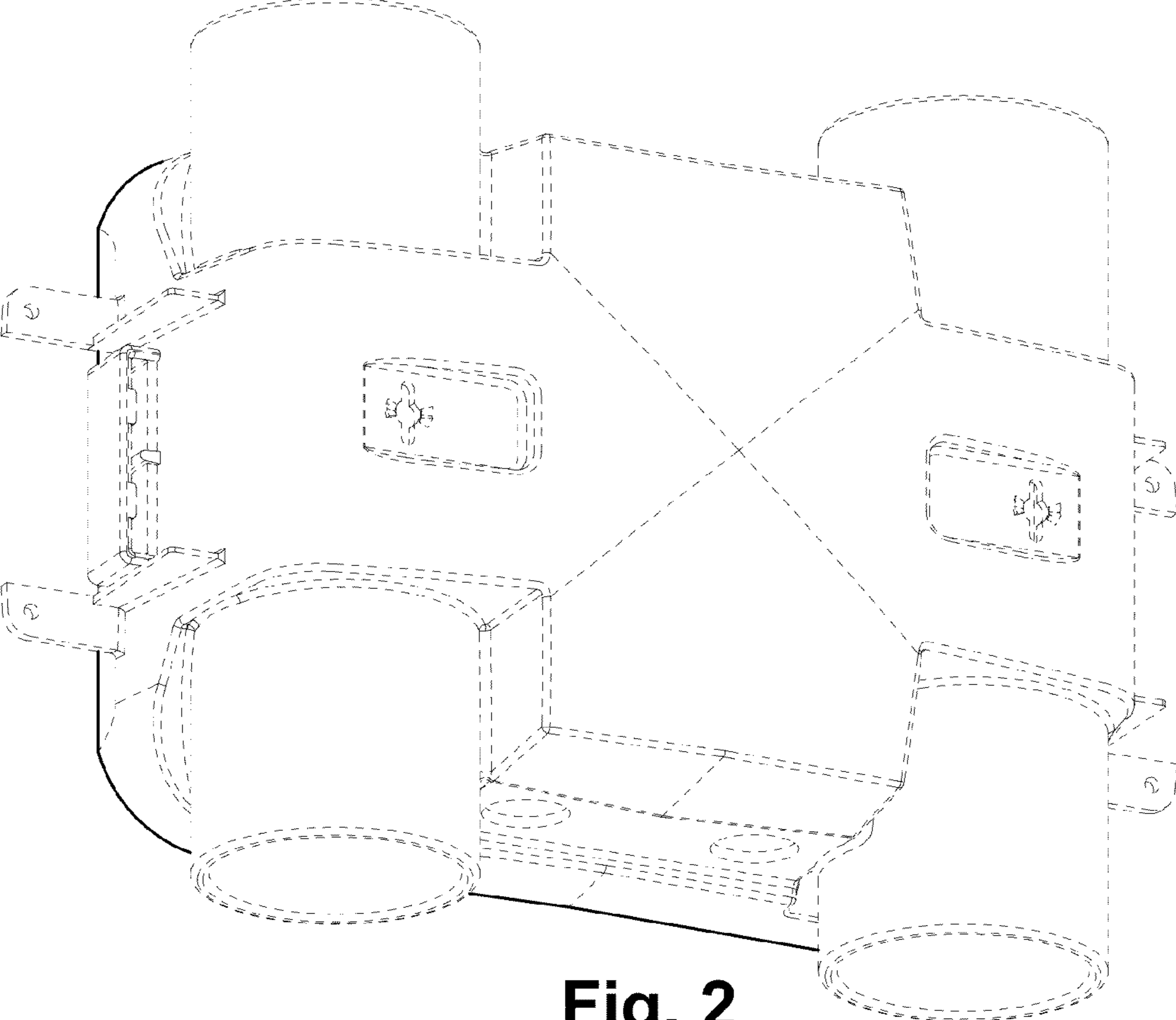
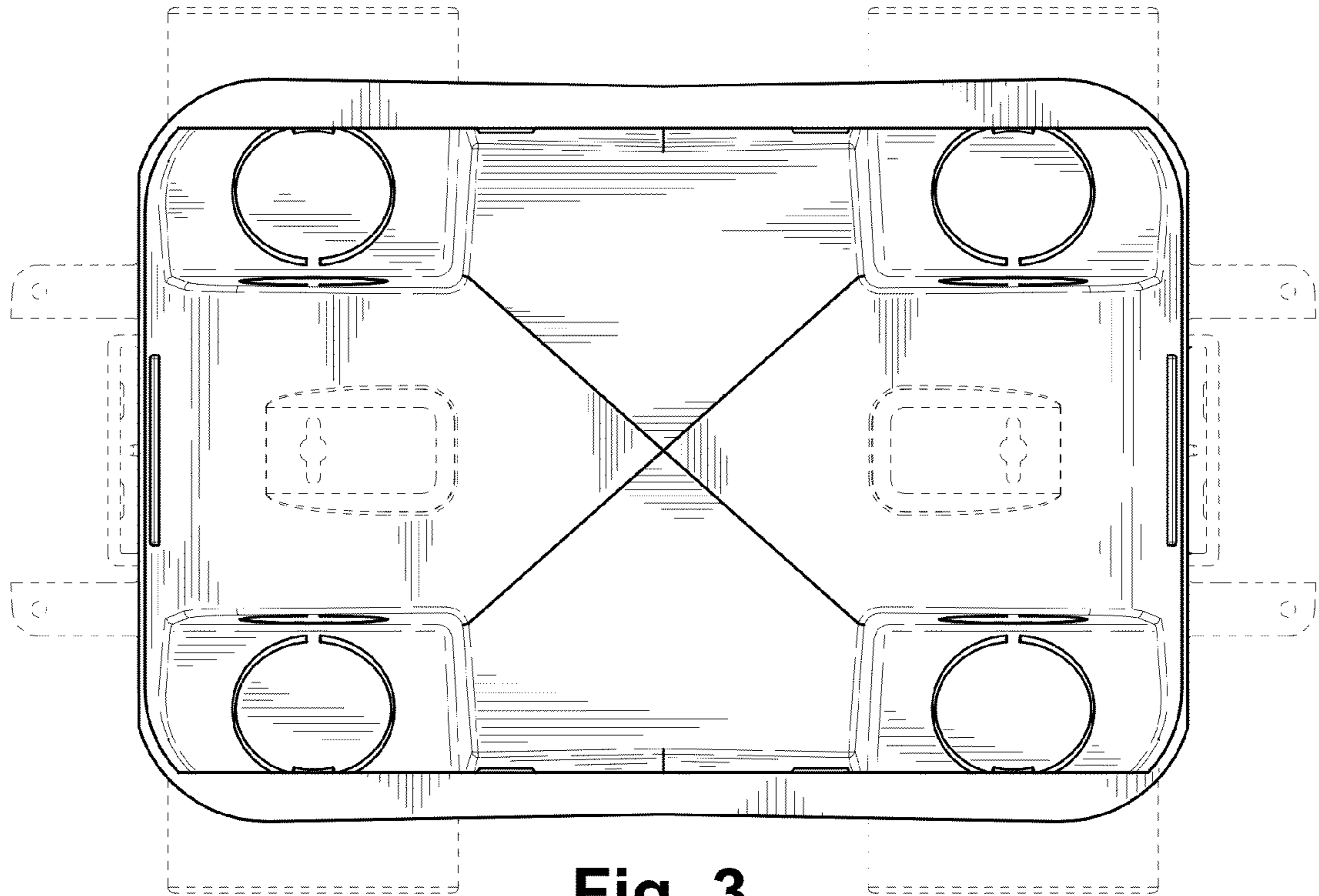
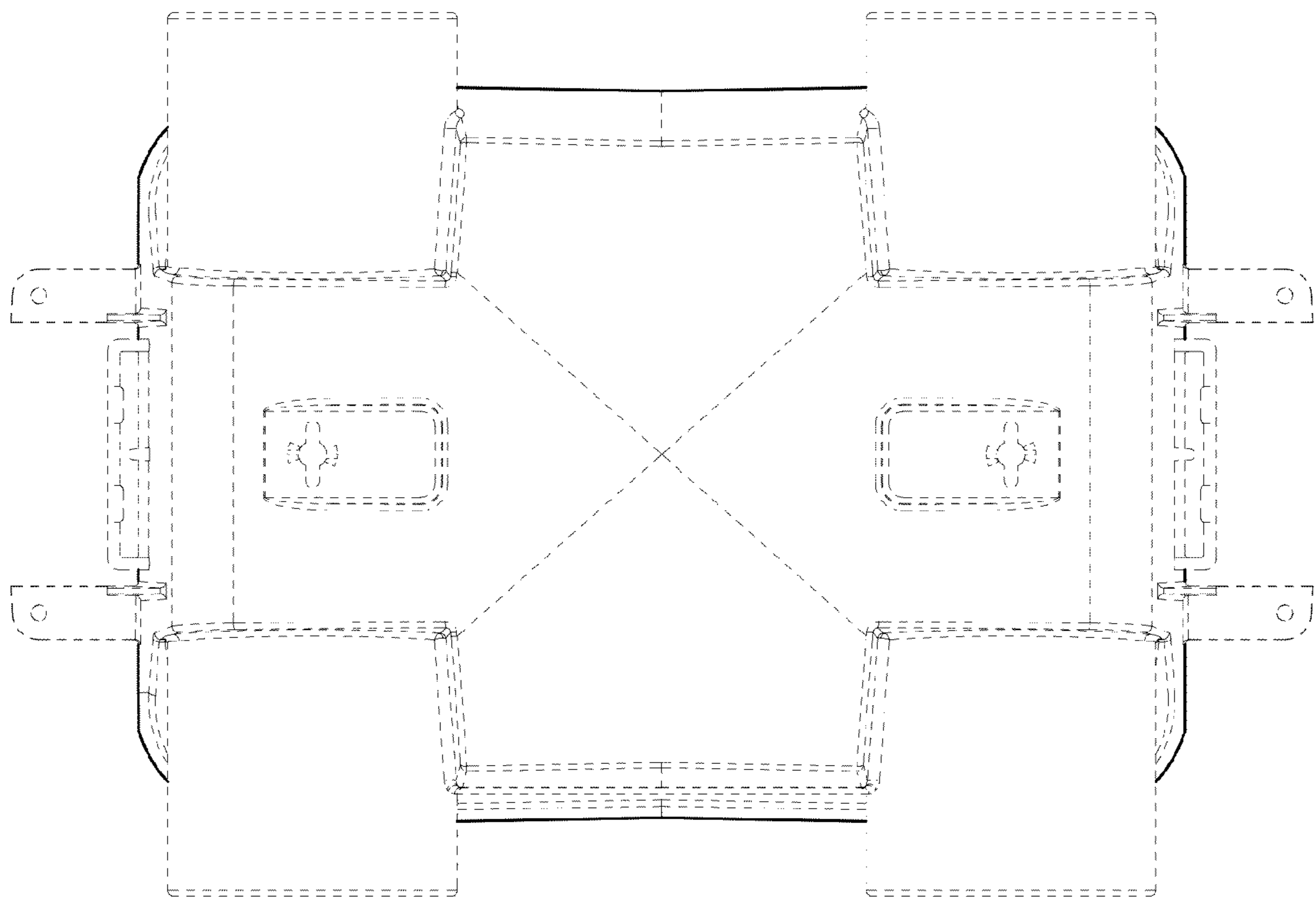


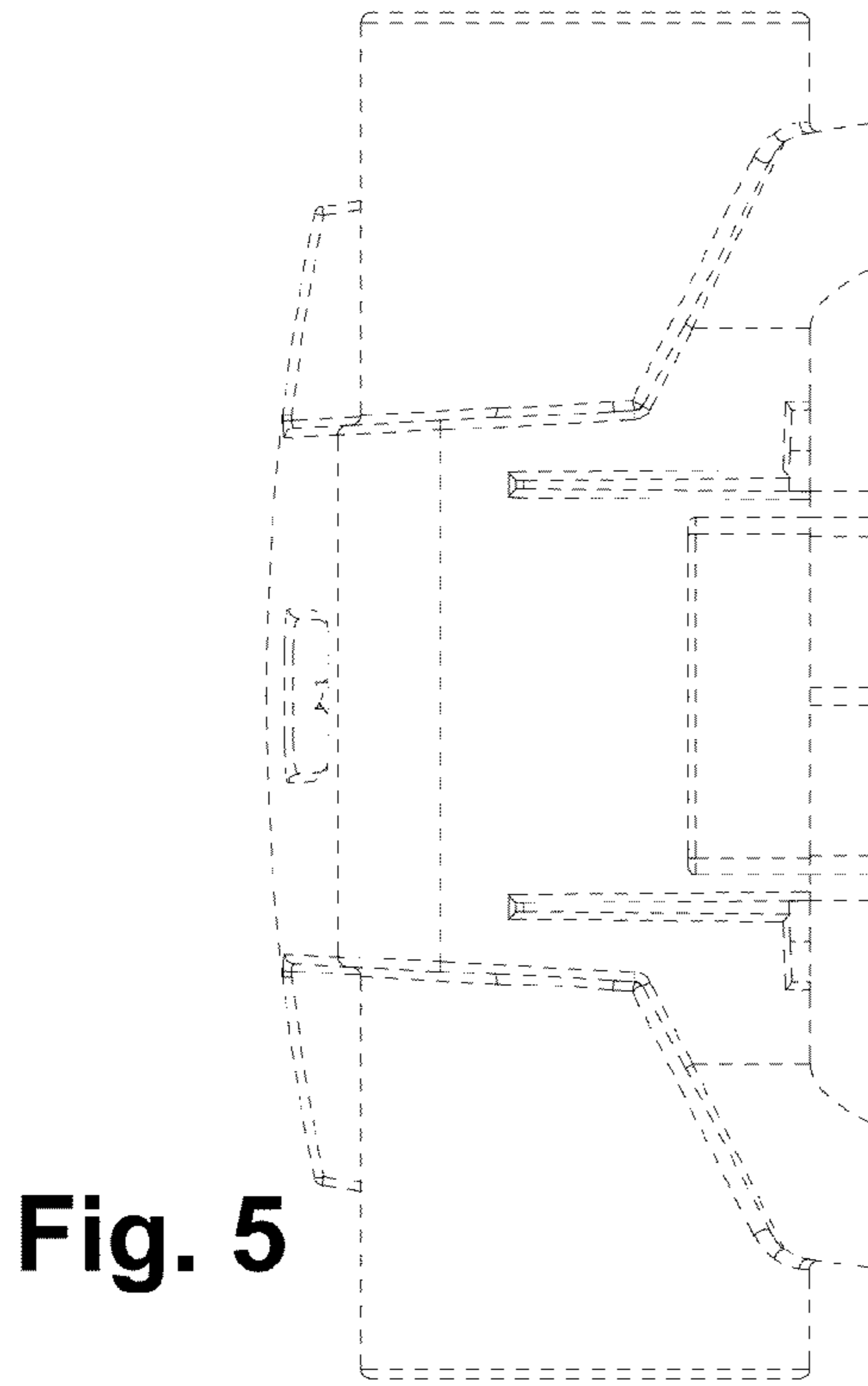
Fig. 2



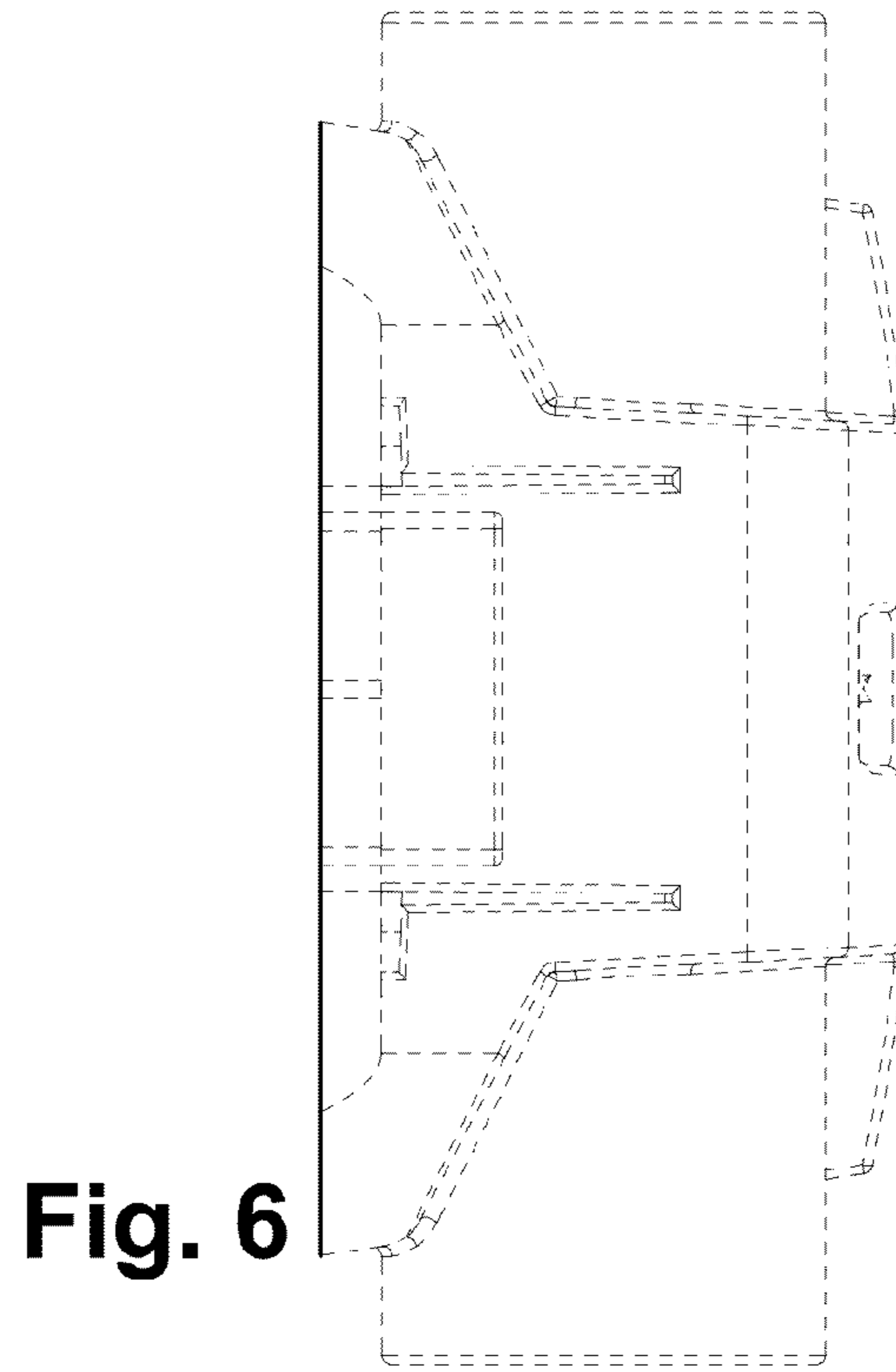
**Fig. 3**



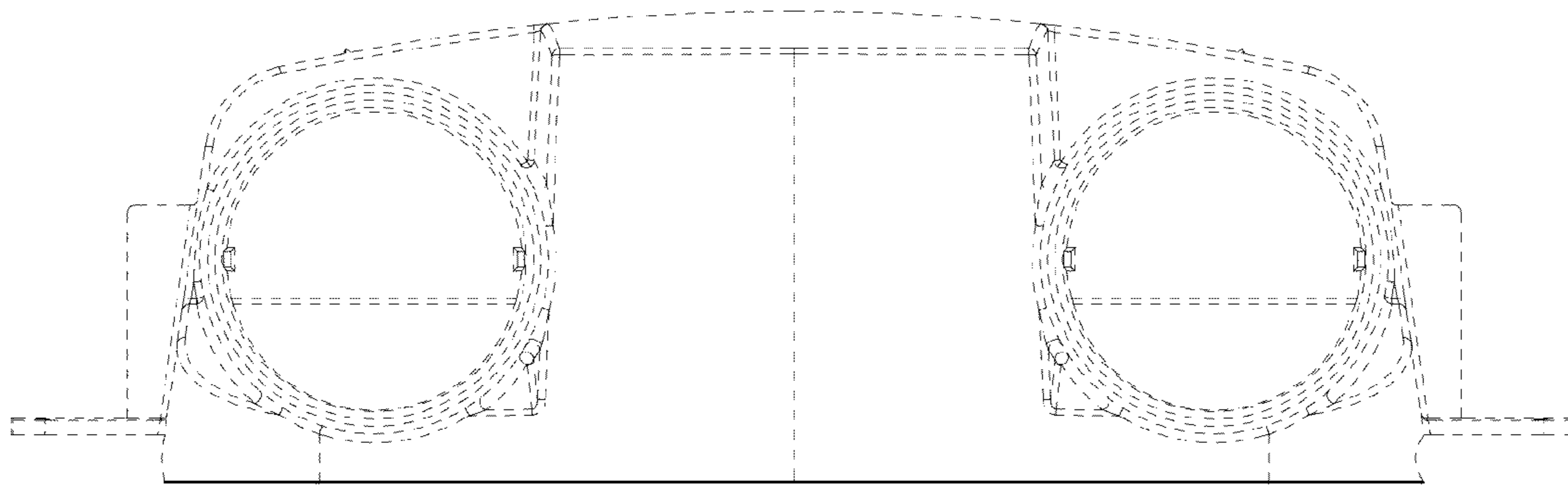
**Fig. 4**



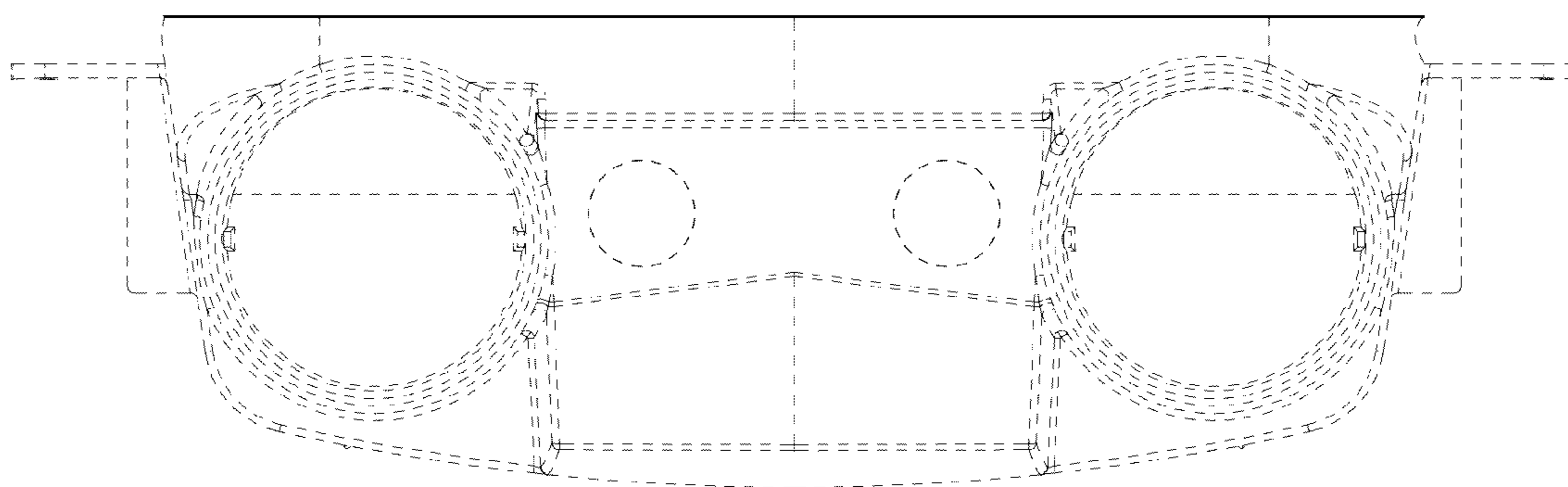
**Fig. 5**



**Fig. 6**



**Fig. 7**



**Fig. 8**