



US00D721040S

(12) **United States Design Patent**
Watanabe

(10) **Patent No.:** **US D721,040 S**

(45) **Date of Patent:** **** Jan. 13, 2015**

(54) **RECEPTACLE CONNECTOR**

D688,210 S * 8/2013 Mashiyama et al. D13/147
D691,960 S * 10/2013 Miyazaki et al. D13/147
D695,691 S * 12/2013 Kobuchi et al. D13/147

(71) Applicant: **KYOCERA Connector Products Corporation, Kanagawa (JP)**

* cited by examiner

(72) Inventor: **Hiroaki Watanabe, Kanagawa (JP)**

Primary Examiner — Daniel Bui

(73) Assignee: **KYOCERA Connector Products Corporation, Kanagawa (JP)**

(74) *Attorney, Agent, or Firm* — McCormick, Paulding & Huber LLP

(**) Term: **14 Years**

(57) **CLAIM**

The ornamental design for a receptacle connector, as shown and described.

(21) Appl. No.: **29/489,336**

(22) Filed: **Apr. 29, 2014**

DESCRIPTION

(30) **Foreign Application Priority Data**

Nov. 12, 2013 (JP) 2013-026415

(51) **LOC (10) Cl.** **13-03**

(52) **U.S. Cl.**
USPC **D13/147**

(58) **Field of Classification Search**
USPC D13/147, 154, 184, 199
See application file for complete search history.

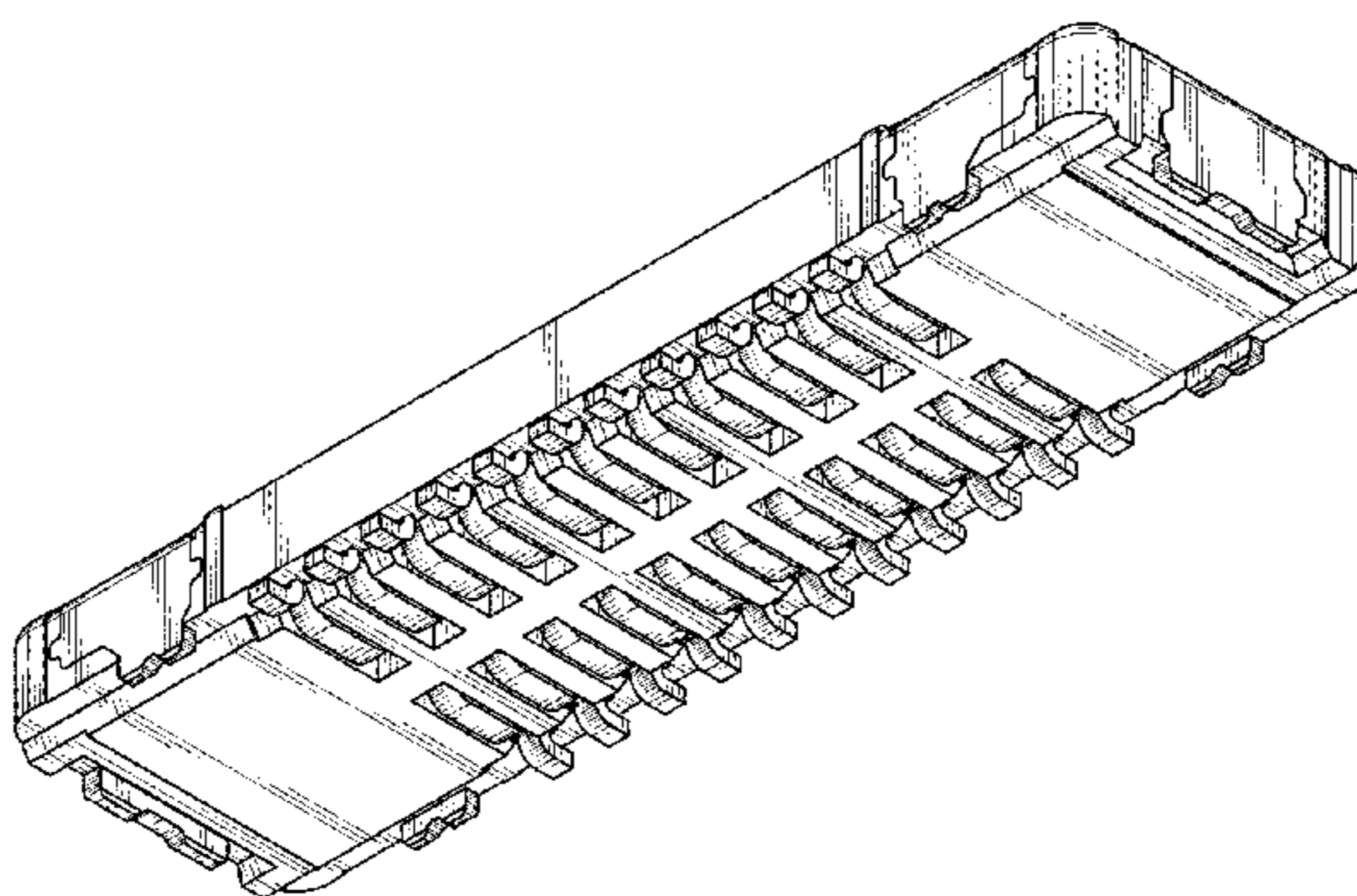
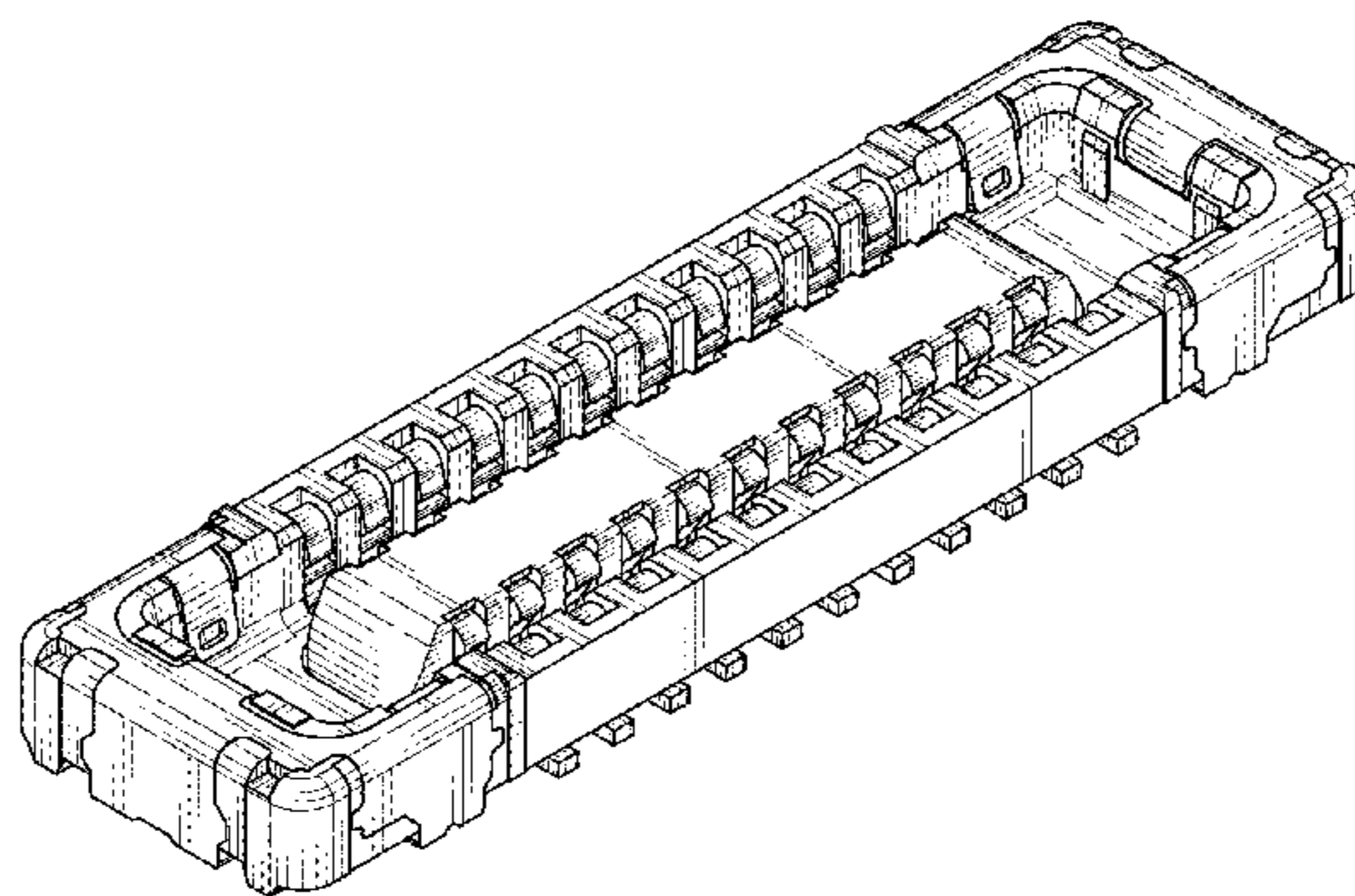
FIG. 1 is a front, top, left-side perspective view of a receptacle connector showing my new design;
FIG. 2 is a front, bottom, right-side perspective view thereof;
FIG. 3 is a front elevational view thereof, the rear being a mirror image;
FIG. 4 is a top plan view thereof;
FIG. 5 is a bottom plan view thereof;
FIG. 6 is a left-side elevational view thereof, the right-side being a mirror image;
FIG. 7 is a cross-sectional view thereof, taken along line 7-7 of FIG. 3;
FIG. 8 is a cross-sectional view thereof, taken along line 8-8 of FIG. 3;
FIG. 9 is a cross-sectional view thereof, taken along line 9-9 of FIG. 3; and,
FIG. 10 is a cross-sectional view thereof, taken along line 10-10 of FIG. 4.

(56) **References Cited**

U.S. PATENT DOCUMENTS

D561,697 S * 2/2008 Chen et al. D13/147
D642,535 S * 8/2011 Sato et al. D13/147
D684,120 S * 6/2013 Miyazaki et al. D13/147
D687,382 S * 8/2013 Miyazaki et al. D13/147
D687,383 S * 8/2013 Miyazaki et al. D13/147

1 Claim, 3 Drawing Sheets



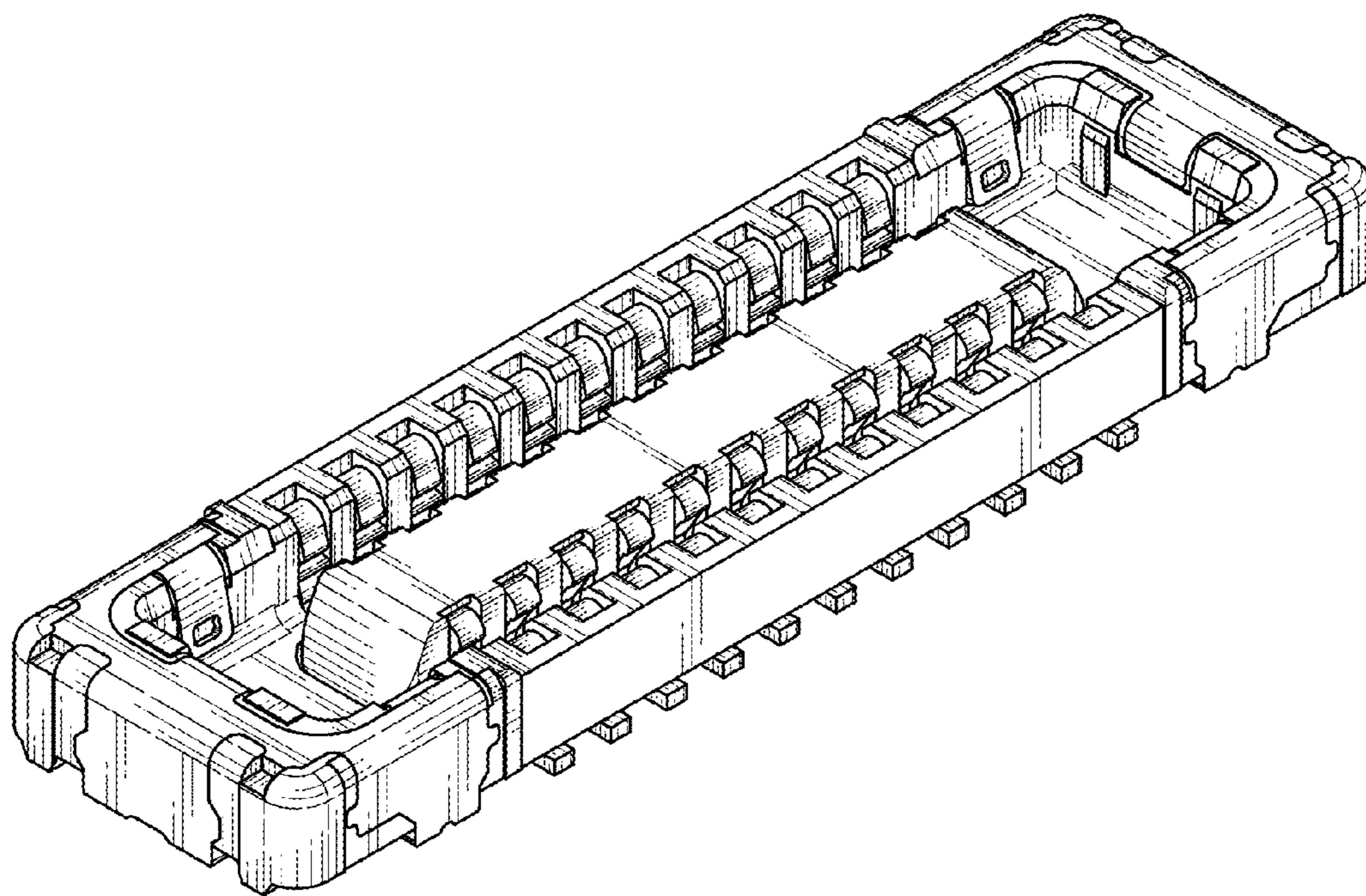


FIG. 1

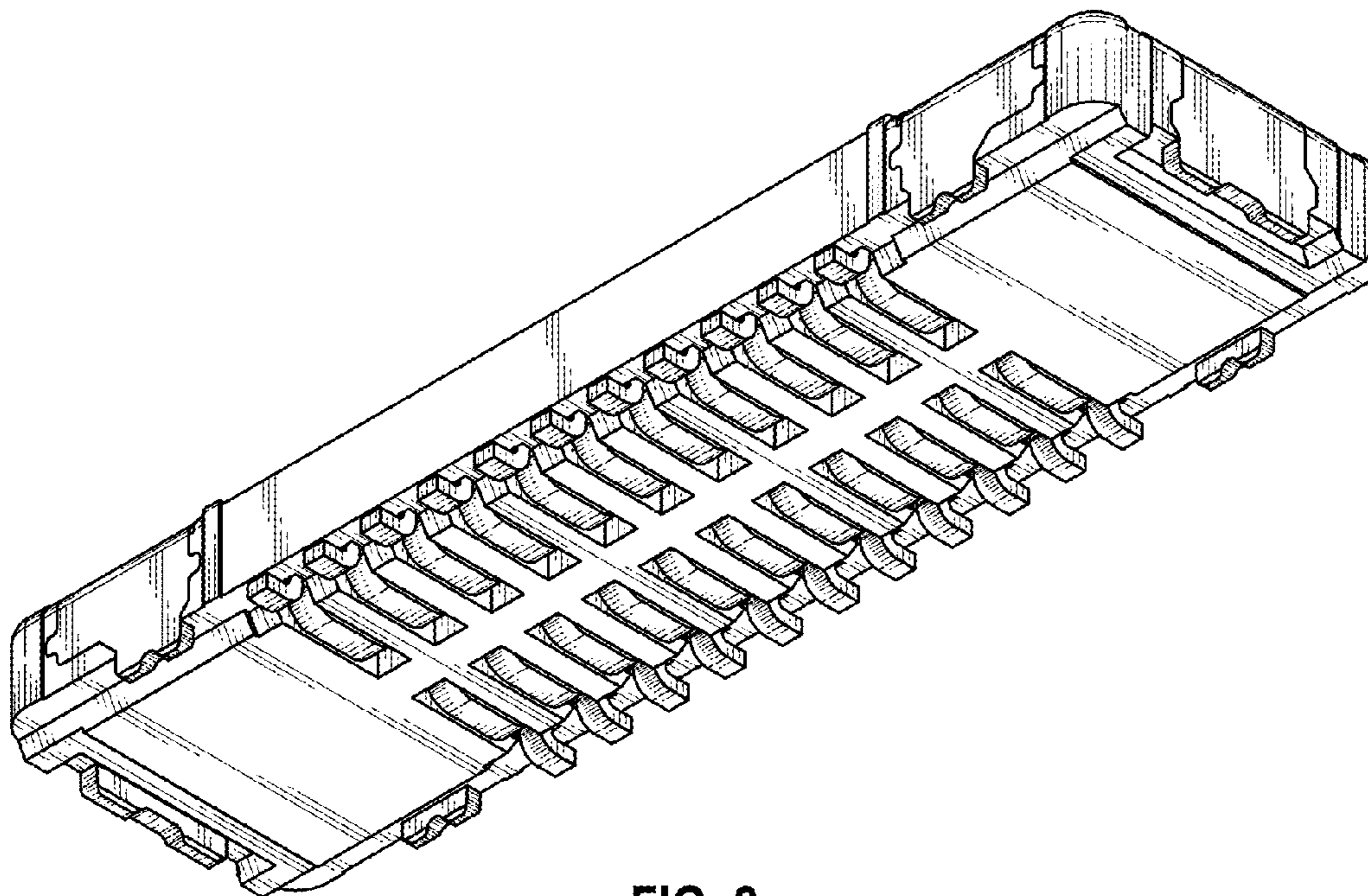


FIG. 2

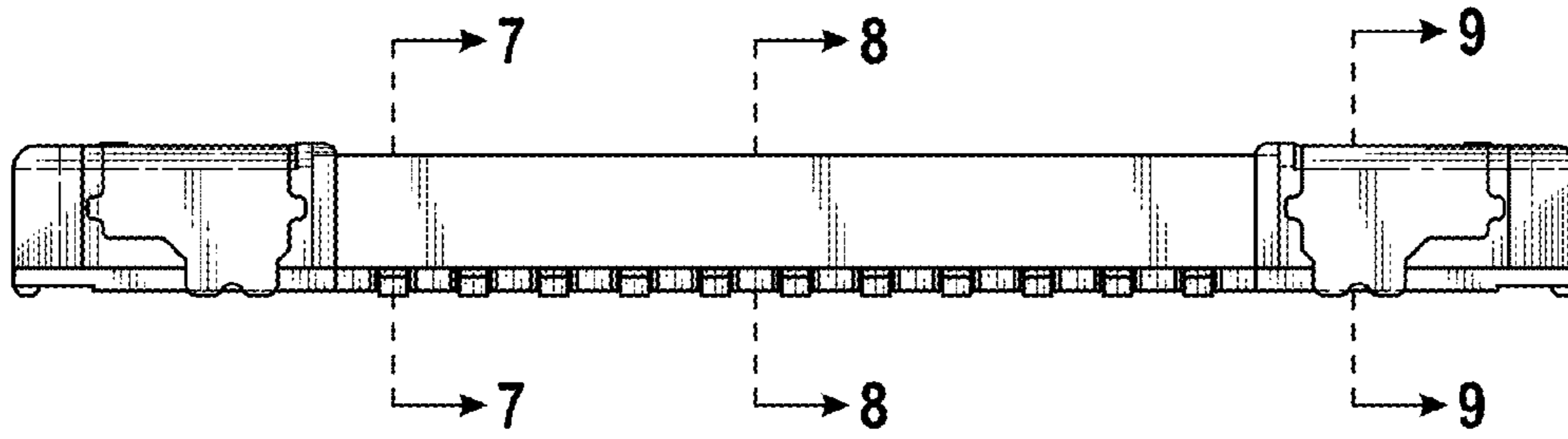


FIG. 3

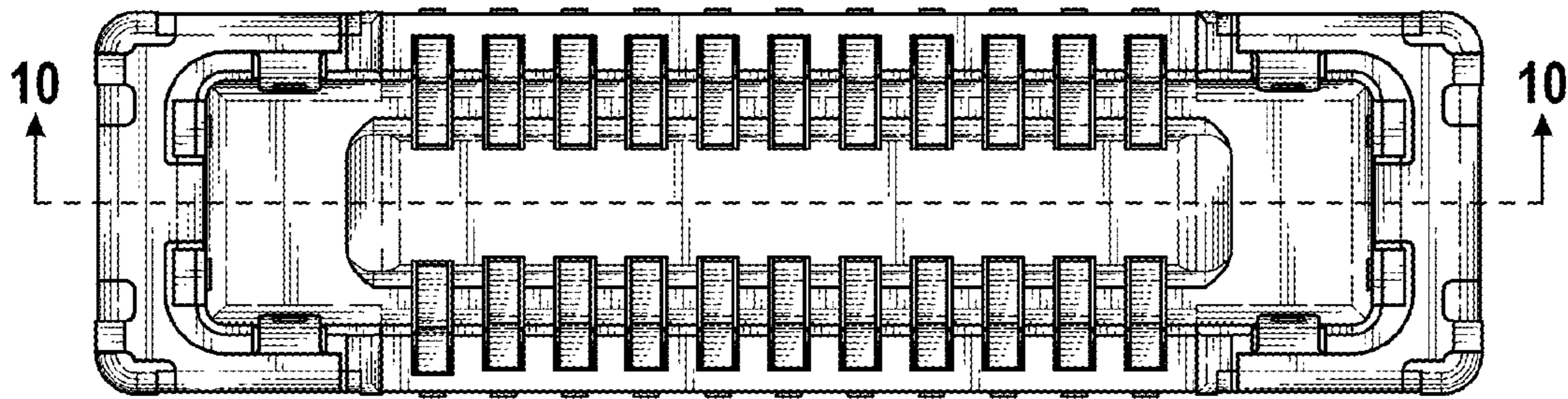


FIG. 4

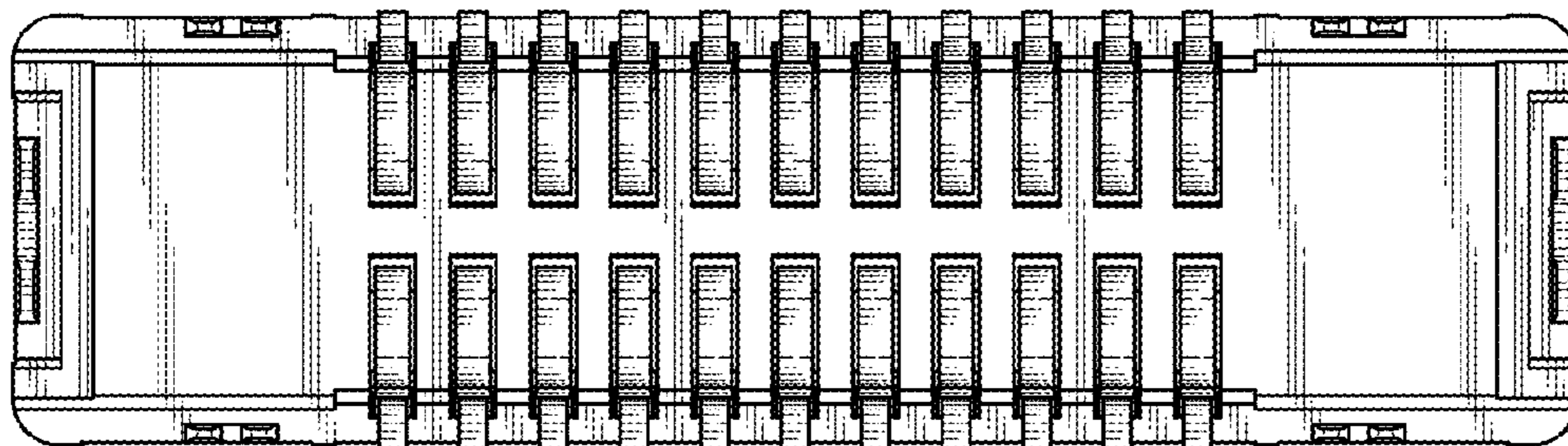


FIG. 5

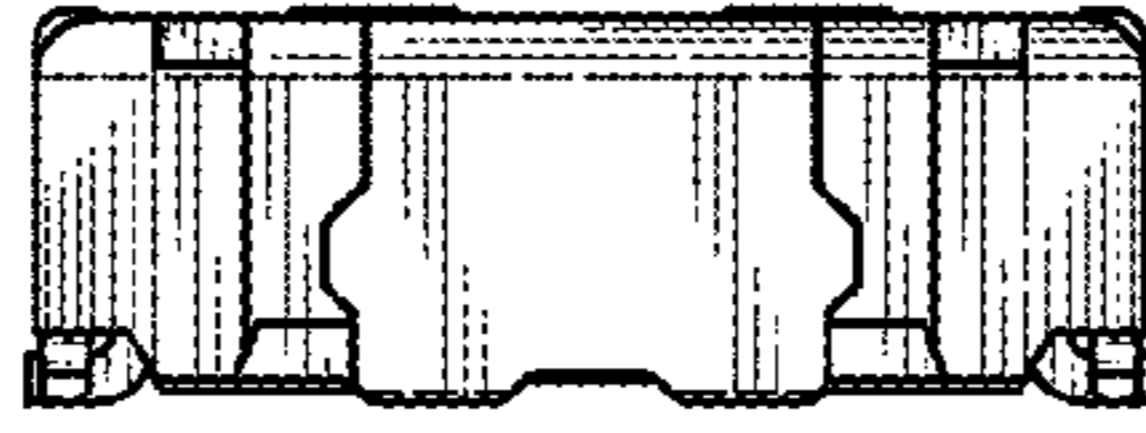


FIG. 6

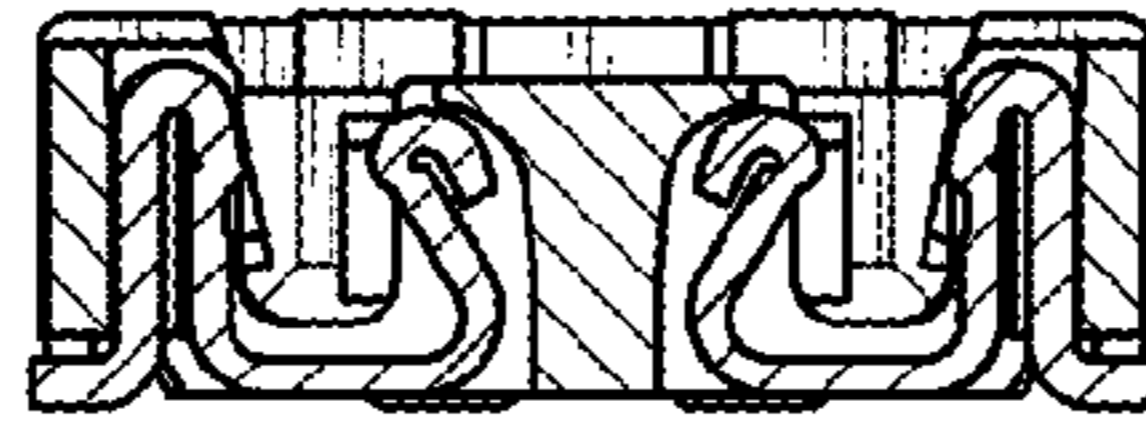


FIG. 7

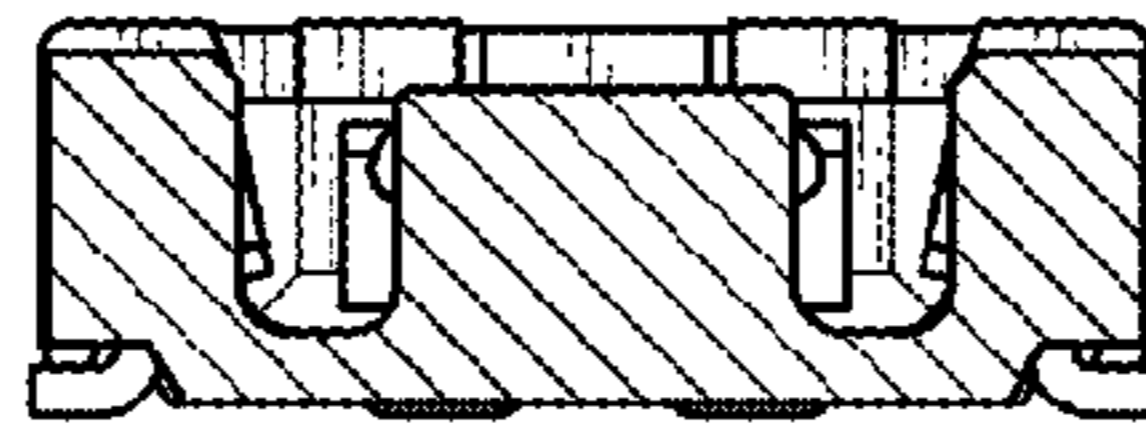


FIG. 8

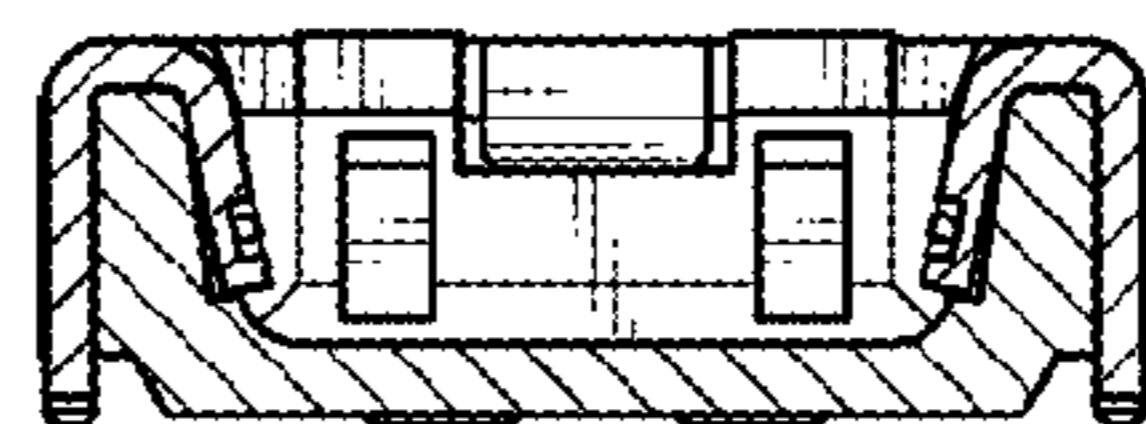


FIG. 9



FIG. 10