



US00D721039S

(12) **United States Design Patent**
Hoshino et al.

(10) **Patent No.:** **US D721,039 S**

(45) **Date of Patent:** **** Jan. 13, 2015**

(54) **ELECTRIC CONNECTOR**

(71) Applicant: **OMRON Corporation**, Kyoto (JP)

(72) Inventors: **Hirokazu Hoshino**, Kyoto (JP); **Taijiro Fujiwara**, Kyoto (JP); **Masahiro Ono**, Kyoto (JP)

(73) Assignee: **OMRON Corporation**, Kyoto (JP)

(**) Term: **14 Years**

(21) Appl. No.: **29/482,743**

(22) Filed: **Feb. 21, 2014**

Related U.S. Application Data

(62) Division of application No. 29/430,583, filed on Aug. 28, 2012, now Pat. No. Des. 703,142.

Foreign Application Priority Data

Mar. 13, 2012 (JP) 2012-005646
Mar. 13, 2012 (JP) 2012-005647

(51) **LOC (10) Cl.** **13-03**

(52) **U.S. Cl.**
USPC **D13/147**

(58) **Field of Classification Search**
USPC D13/147, 154, 184, 199; 439/64, 79, 439/159-160, 330, 331, 341, 342, 629, 630, 439/636, 660, 607.01, 607.04, 607.05, 439/607.17, 607.25, 607.34, 607.41, 439/607.53, 862, 884, 946

See application file for complete search history.

(56) **References Cited**

U.S. PATENT DOCUMENTS

D298,931 S *	12/1988	Sekiguchi	D13/147
D505,918 S *	6/2005	Conway et al.	D13/147
D511,747 S *	11/2005	Rey et al.	D13/147
D615,496 S *	5/2010	Mennekes	D13/147
D644,184 S *	8/2011	Gilbert	D13/147
D667,374 S *	9/2012	Hori et al.	D13/133
D667,375 S *	9/2012	Mori et al.	D13/133
D671,073 S *	11/2012	Mori et al.	D13/133
2005/0239311 A1 *	10/2005	Yokoigawa et al.	439/311

* cited by examiner

Primary Examiner — Daniel Bui

(74) *Attorney, Agent, or Firm* — Harness, Dickey & Pierce, P.L.C.

(57) **CLAIM**

The ornamental design for an electric connector, as shown and described.

DESCRIPTION

FIG. 1 is a top, rear and left side perspective view of an electric connector showing our new design;

FIG. 2 is a bottom, front and right side perspective view thereof;

FIG. 3 is a front elevational view thereof;

FIG. 4 is a rear elevational view thereof;

FIG. 5 is a left side view thereof;

FIG. 6 is a right side view thereof;

FIG. 7 is a top plan view thereof; and,

FIG. 8 is a bottom plan view thereof.

The broken lines depict environmental subject matter only and form no part of the claimed design.

1 Claim, 4 Drawing Sheets

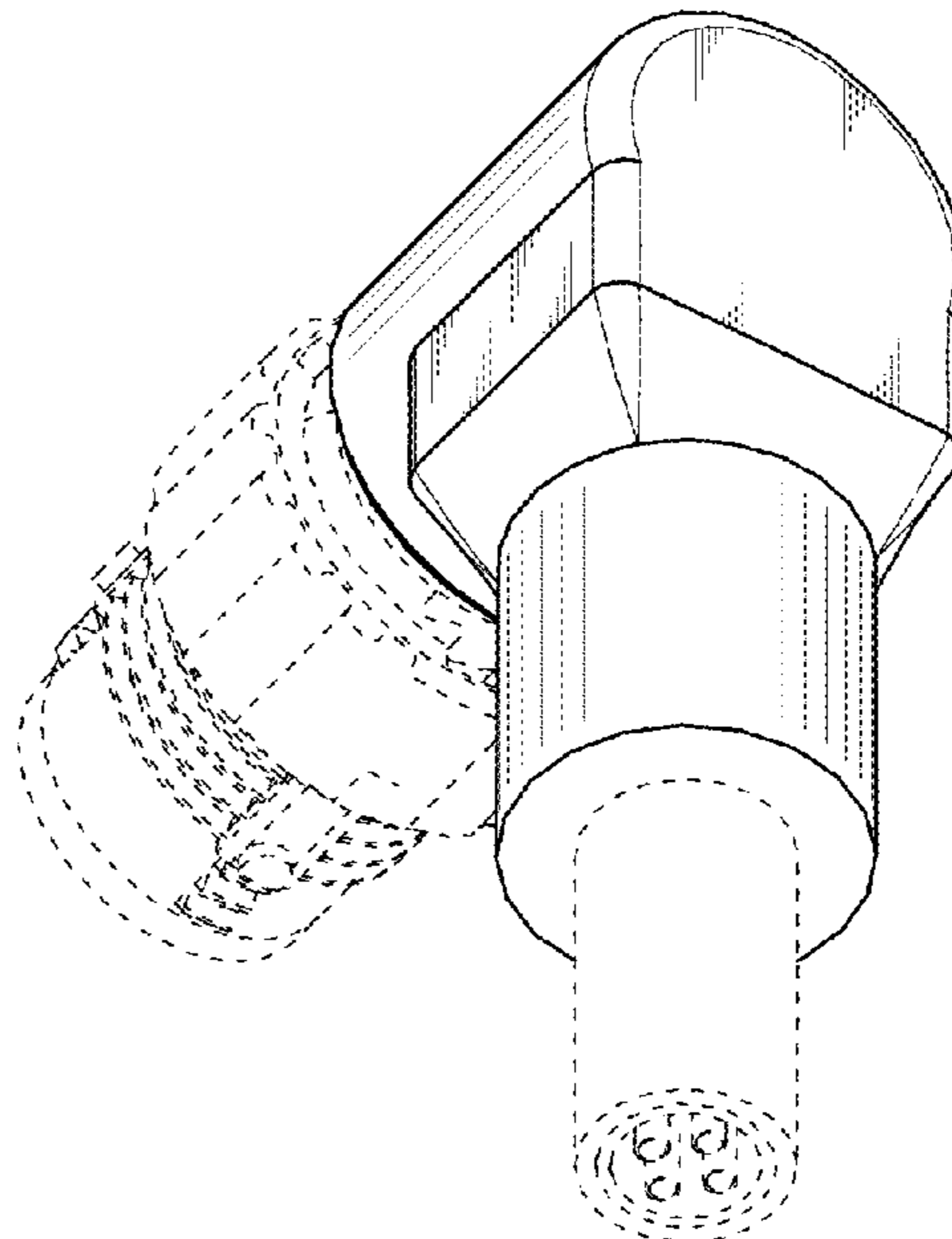
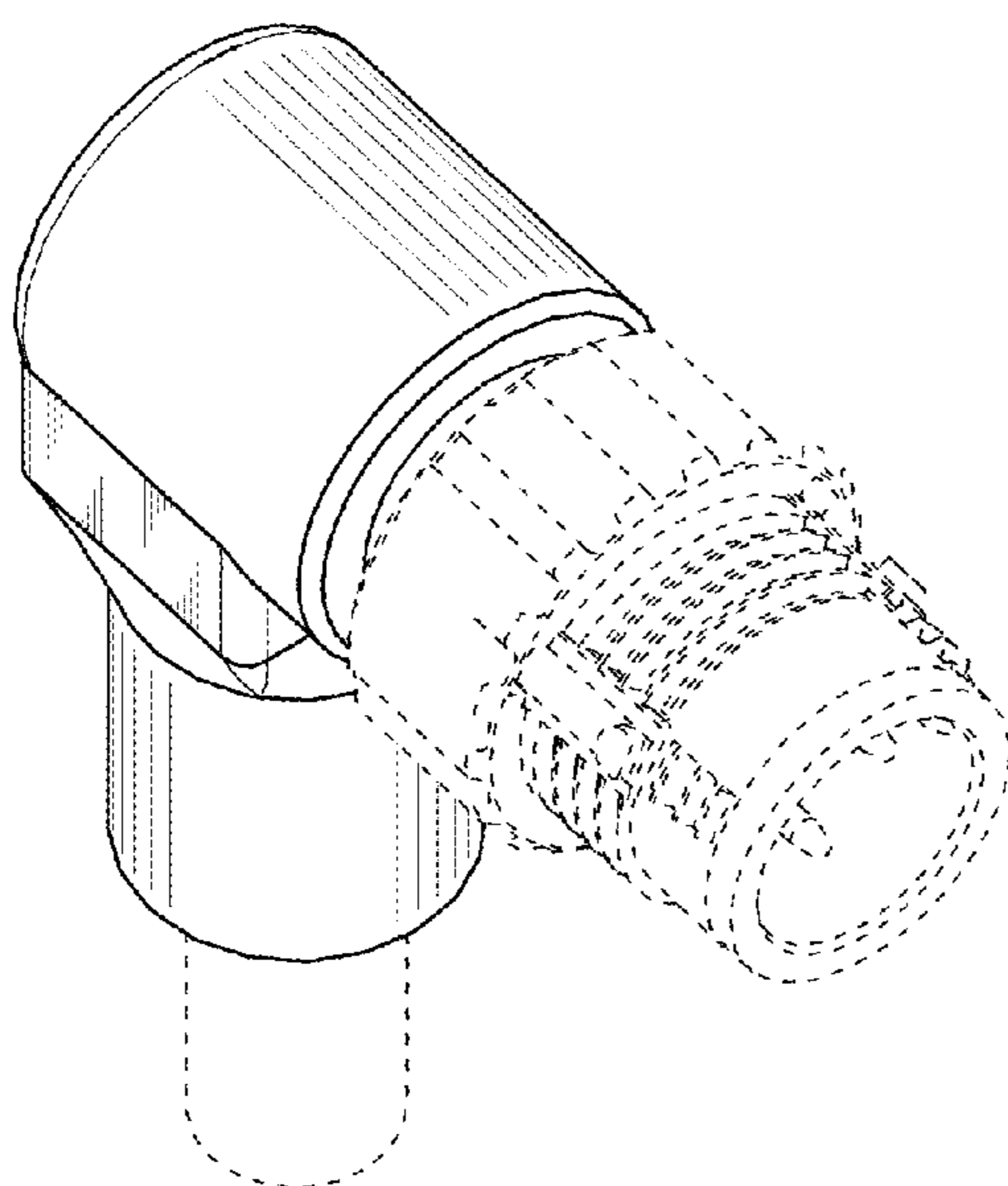


Fig. 1

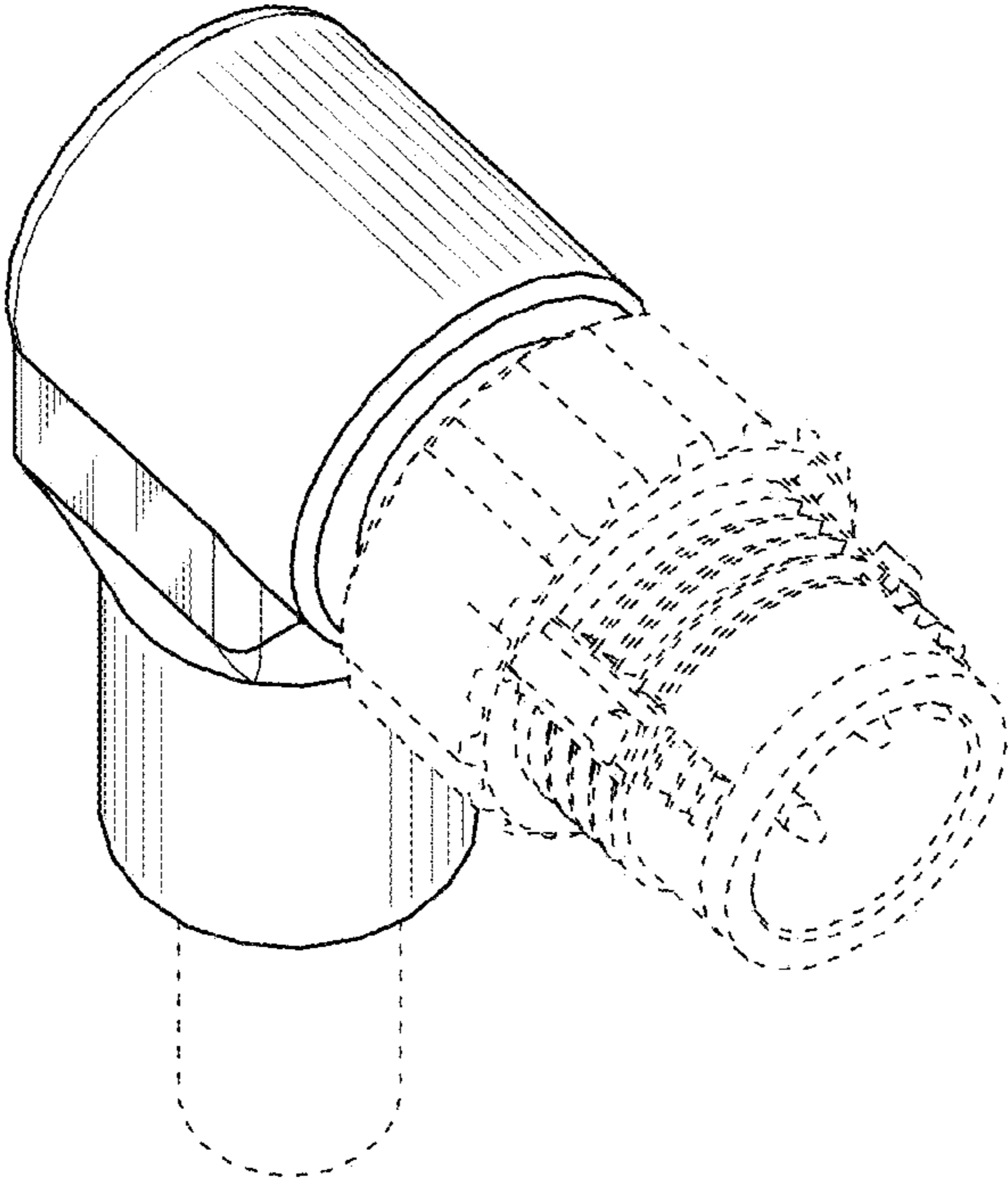


Fig. 2

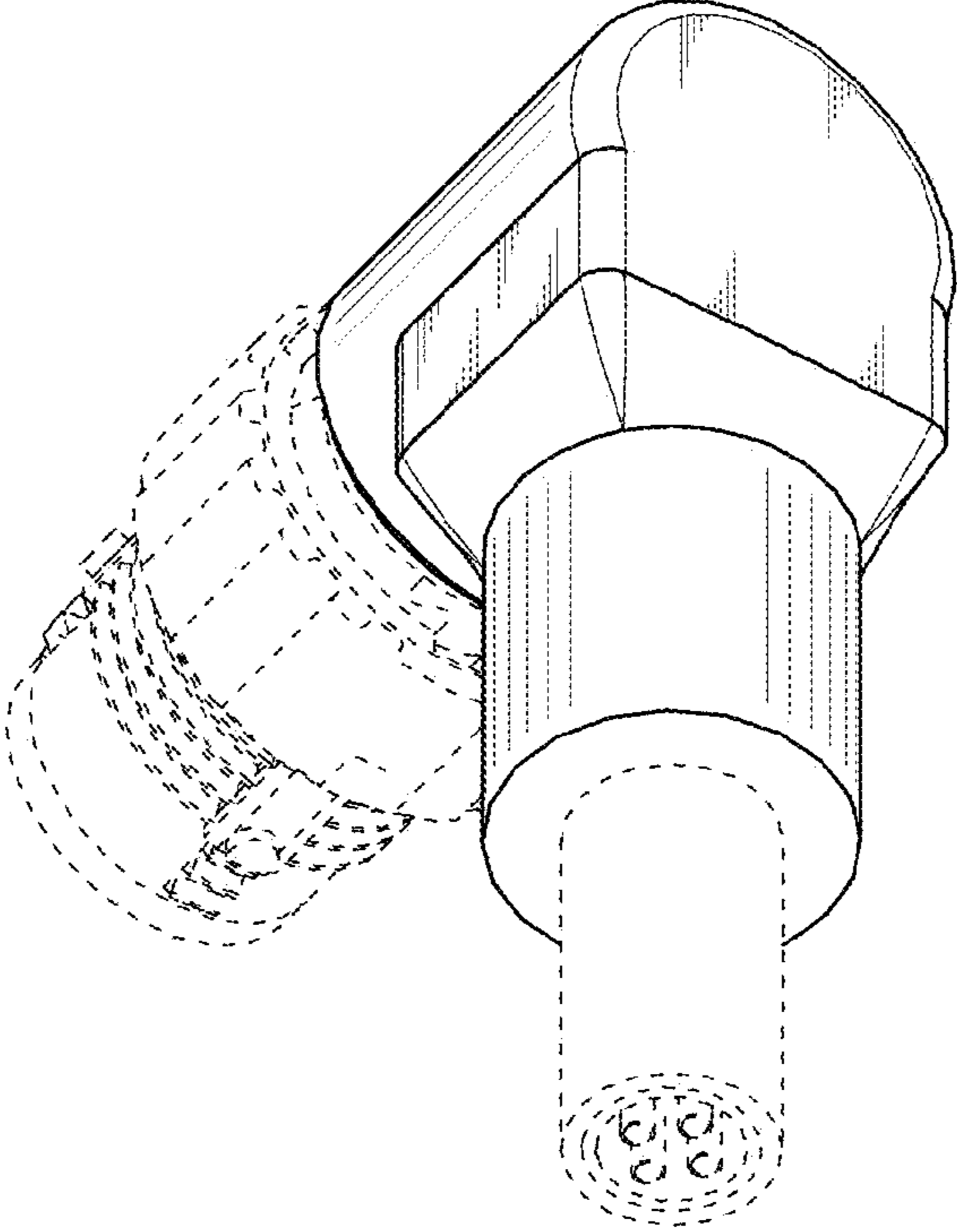


Fig. 3

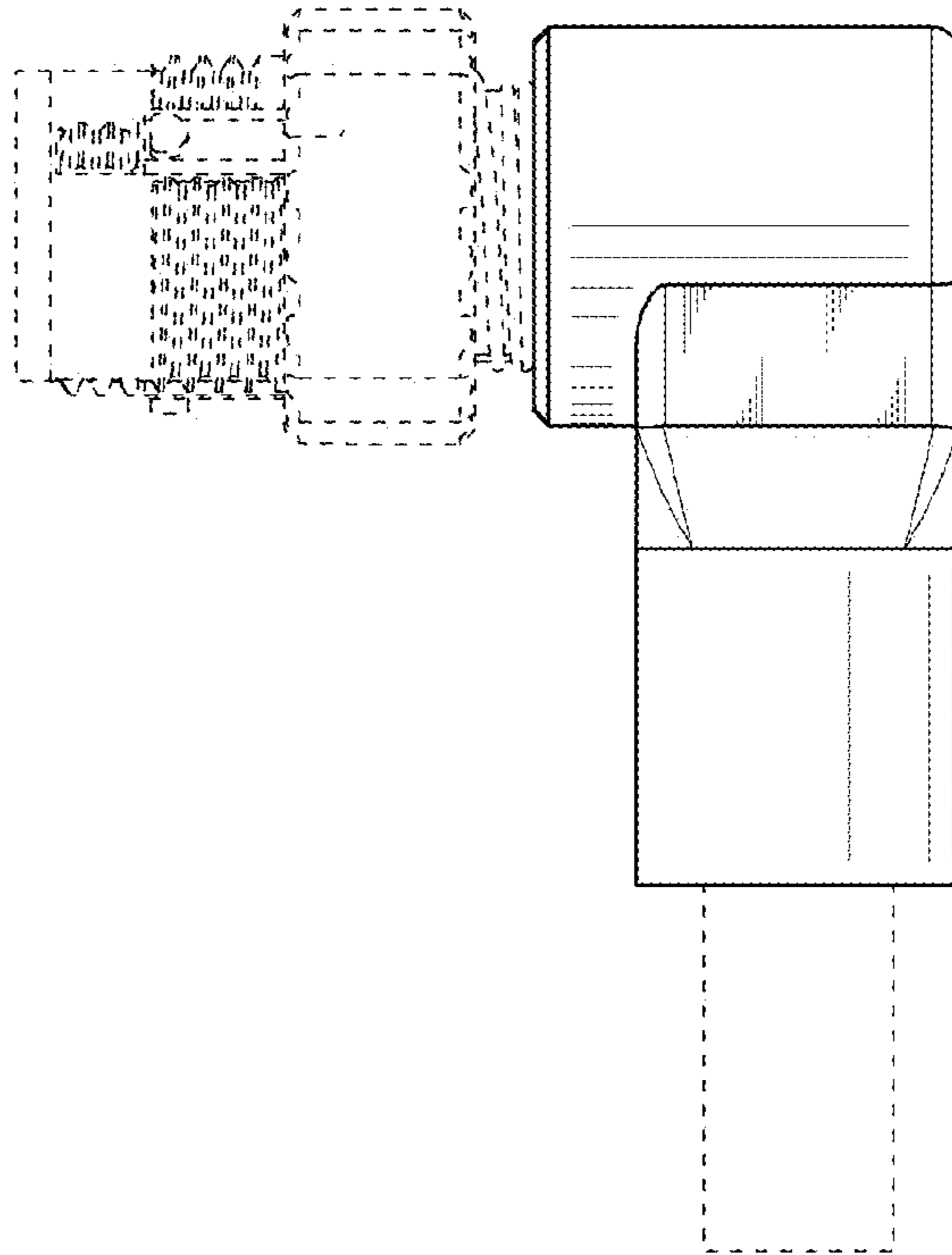


Fig. 4

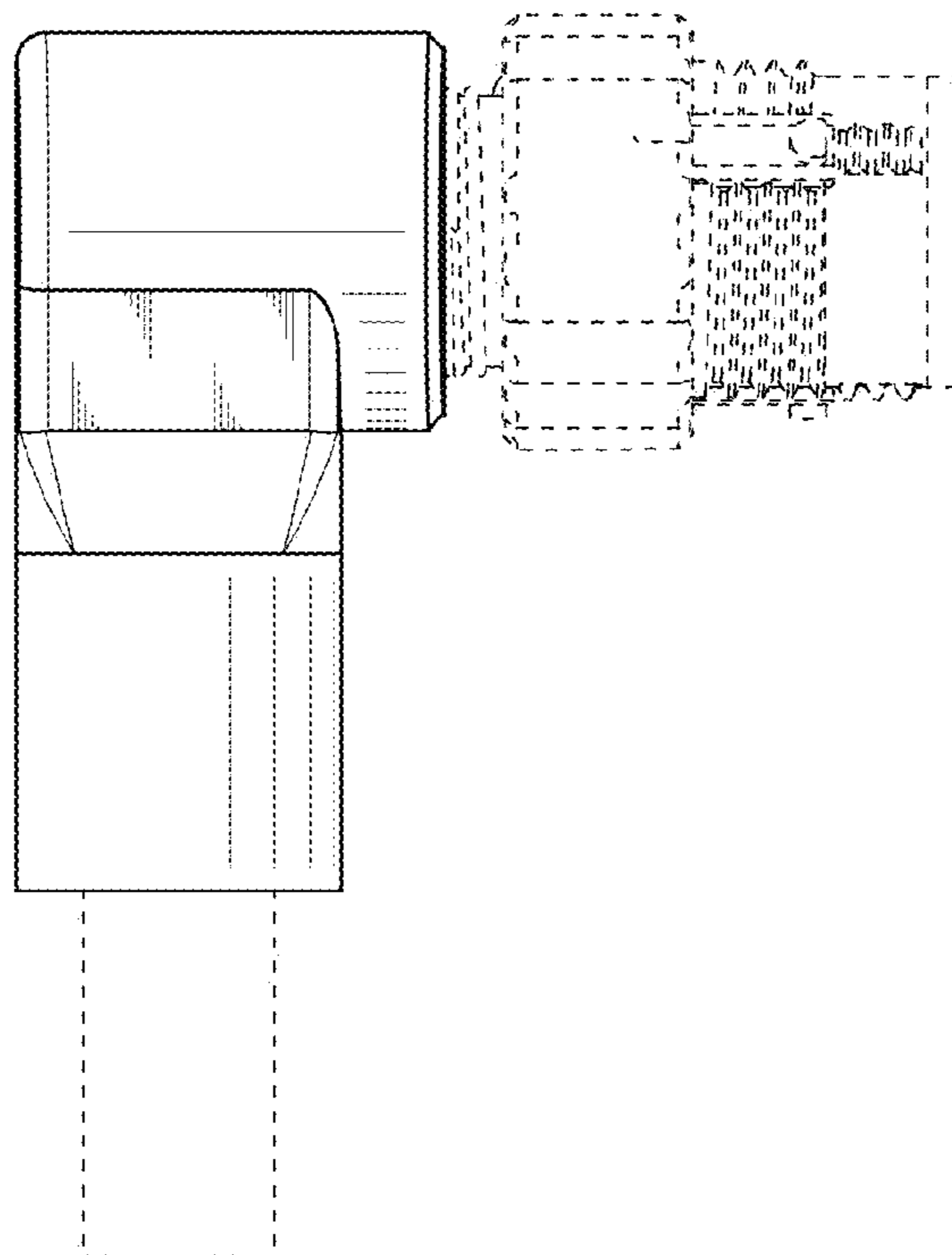


Fig. 5

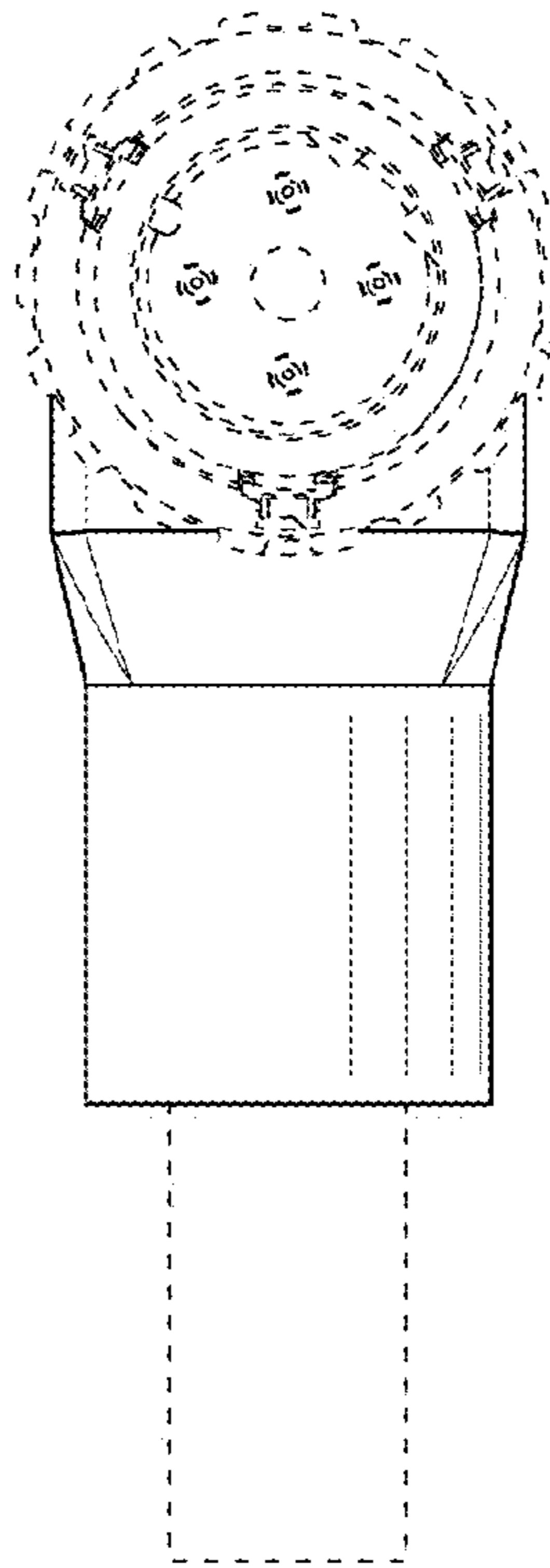


Fig. 6

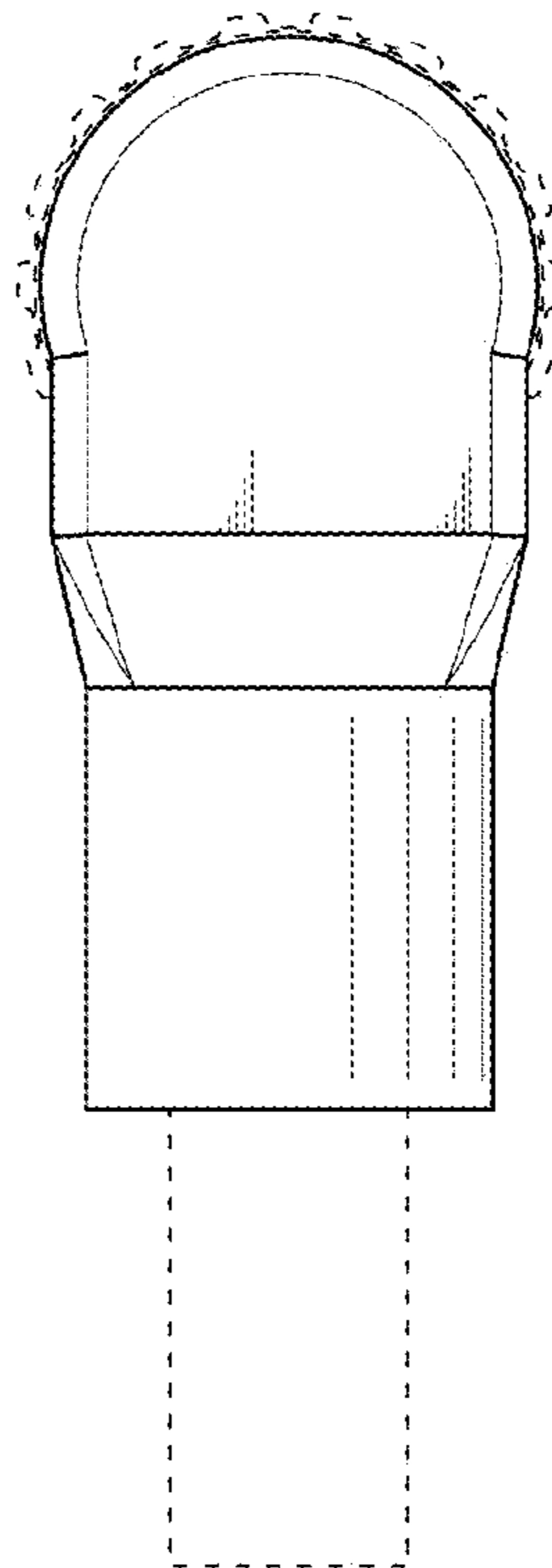


Fig. 7

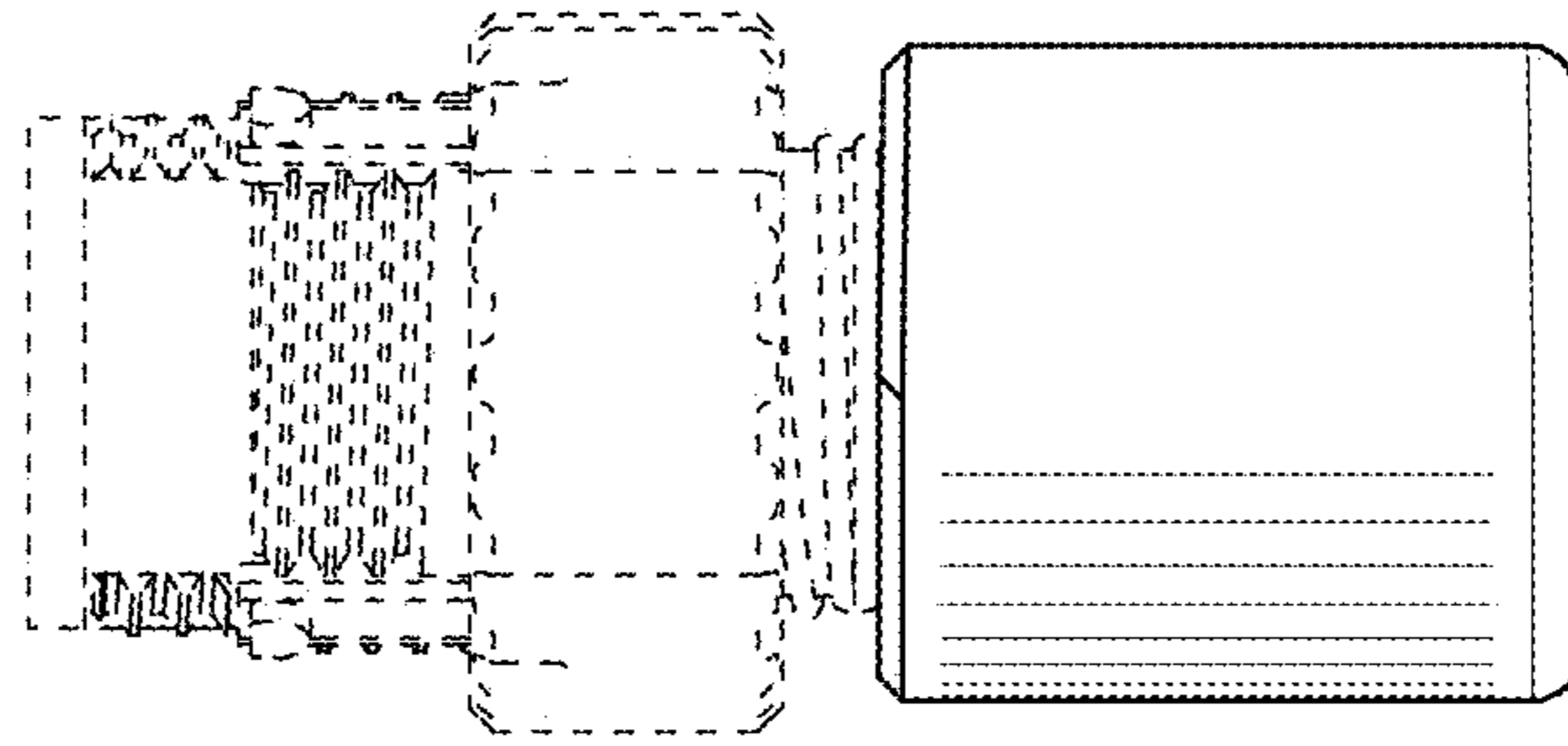


Fig. 8

