



US00D721038S

(12) **United States Design Patent**  
**Chiu**

(10) **Patent No.:** **US D721,038 S**  
(45) **Date of Patent:** **\*\* Jan. 13, 2015**

(54) **CIGARETTE LIGHTER PLUG**

(71) Applicant: **Chui-Hsing Chiu**, Taoyuan (TW)  
(72) Inventor: **Chui-Hsing Chiu**, Taoyuan (TW)  
(73) Assignee: **Asian Power Devices, Inc.**, Taoyuan,  
Taoyuan Hsien (TW)  
(\*\*) Term: **14 Years**

(21) Appl. No.: **29/488,766**  
(22) Filed: **Apr. 23, 2014**

(30) **Foreign Application Priority Data**  
Nov. 13, 2013 (TW) ..... 102307381  
(51) **LOC (10) Cl.** ..... **13-03**  
(52) **U.S. Cl.**  
USPC ..... **D13/144**  
(58) **Field of Classification Search**  
USPC ..... D13/144, 101, 107, 108, 110, 118, 119,  
D13/133, 184, 199; D14/155, 432, 434,  
D14/435.1, 356, 480.1, 480.7; 320/107,  
320/108, 109, 110, 111, 112, 113, 114,  
320/115; 439/300, 620.01, 638, 668, 669,  
439/675, 825; 363/146

See application file for complete search history.

(56) **References Cited**

U.S. PATENT DOCUMENTS

5,964,623	A	*	10/1999	Mahe et al.	.....	439/668
D490,058	S	*	5/2004	Mkhitarian	.....	D13/144
D524,285	S	*	7/2006	Dayan	.....	D14/155
D548,719	S	*	8/2007	Dayan	.....	D14/155
D608,284	S	*	1/2010	Lin	.....	D13/144
D620,440	S	*	7/2010	Riede	.....	D13/144
D620,441	S	*	7/2010	Hou	.....	D13/144
2009/0315513	A1	*	12/2009	Mkhitarian	.....	320/114

\* cited by examiner

*Primary Examiner* — Derrick Holland  
(74) *Attorney, Agent, or Firm* — Egbert Law Offices, PLLC

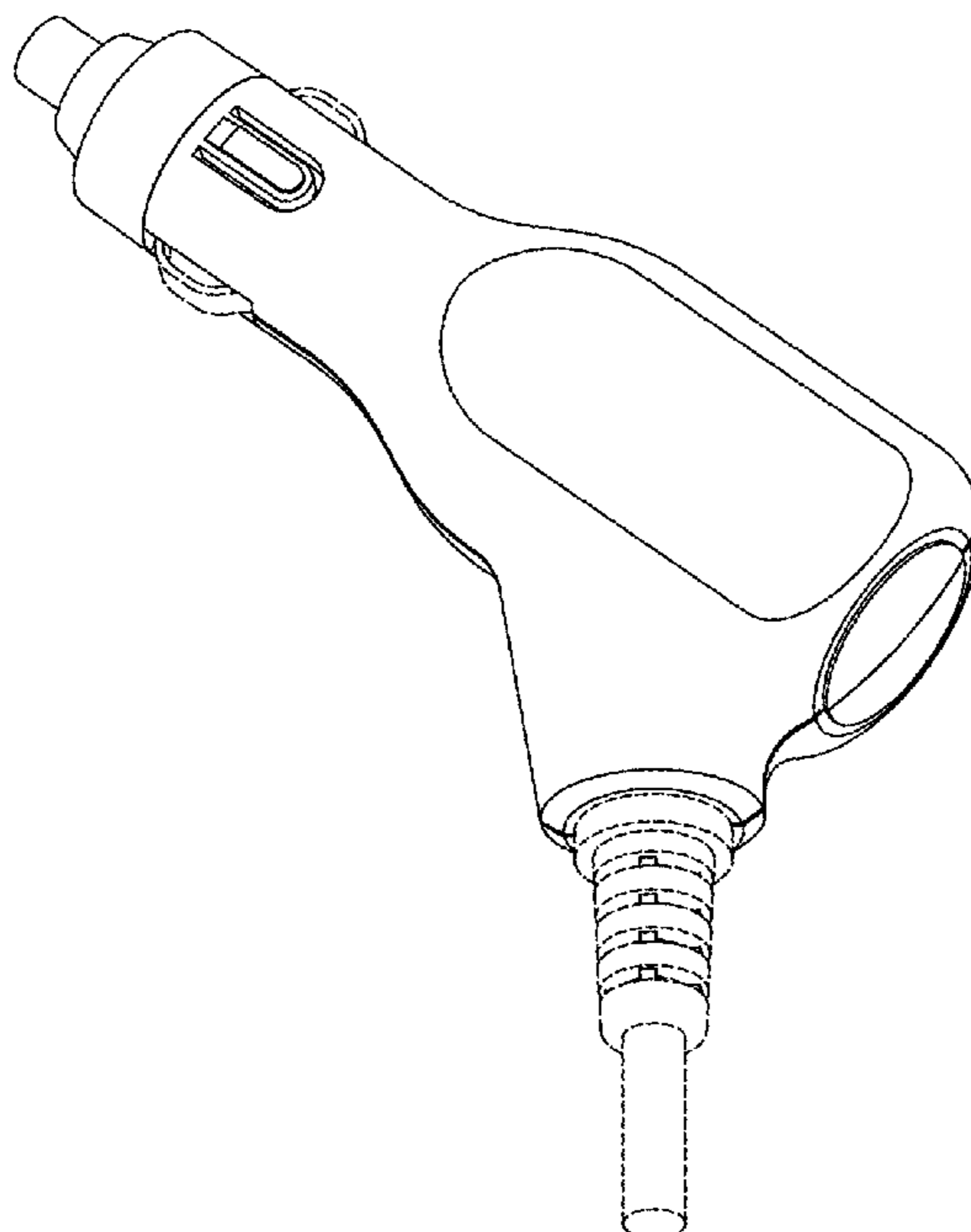
(57) **CLAIM**

The ornamental design for a cigarette lighter plug, as shown and described.

**DESCRIPTION**

FIG. 1 is a perspective view of the cigarette lighter plug showing my new design.  
FIG. 2 is a front elevation view thereof;  
FIG. 3 is a rear elevation view thereof;  
FIG. 4 is a left side elevation view thereof;  
FIG. 5 is a right side elevation view thereof;  
FIG. 6 is a top plan view thereof; and,  
FIG. 7 is a bottom plan view thereof.  
The broken lines shown represent unclaimed subject matter and form no part of the claimed design.

**1 Claim, 7 Drawing Sheets**



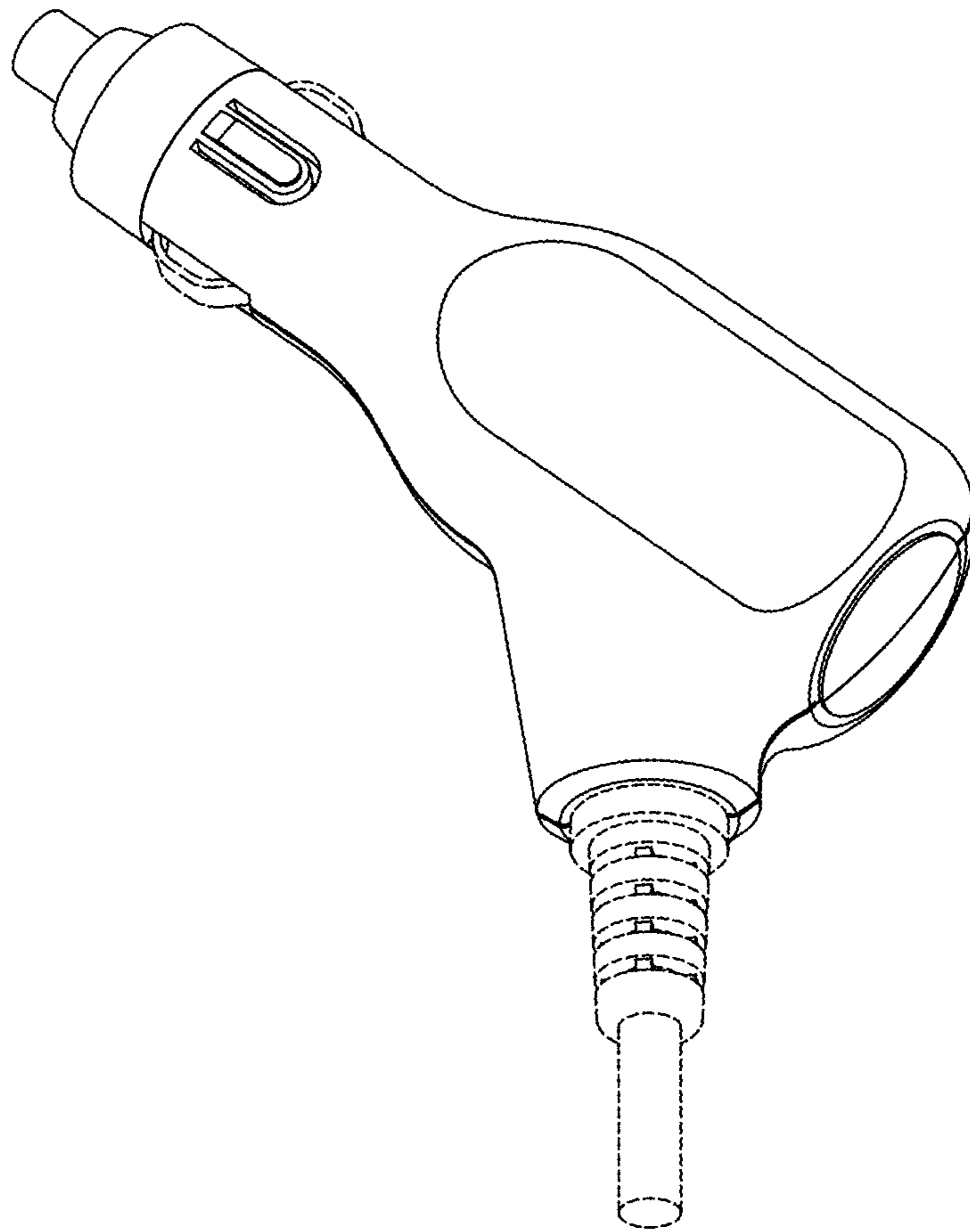


Fig. 1

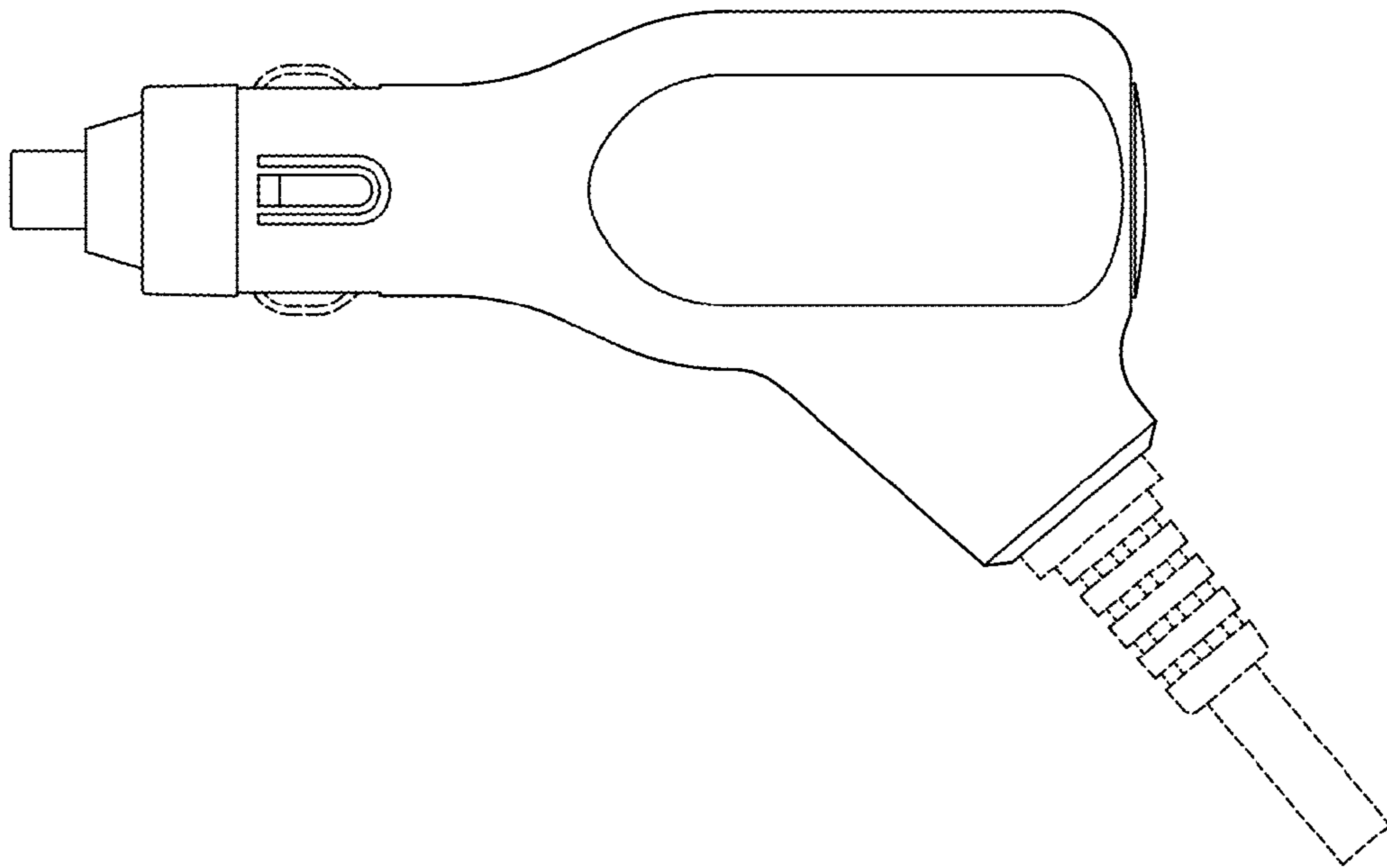


Fig. 2

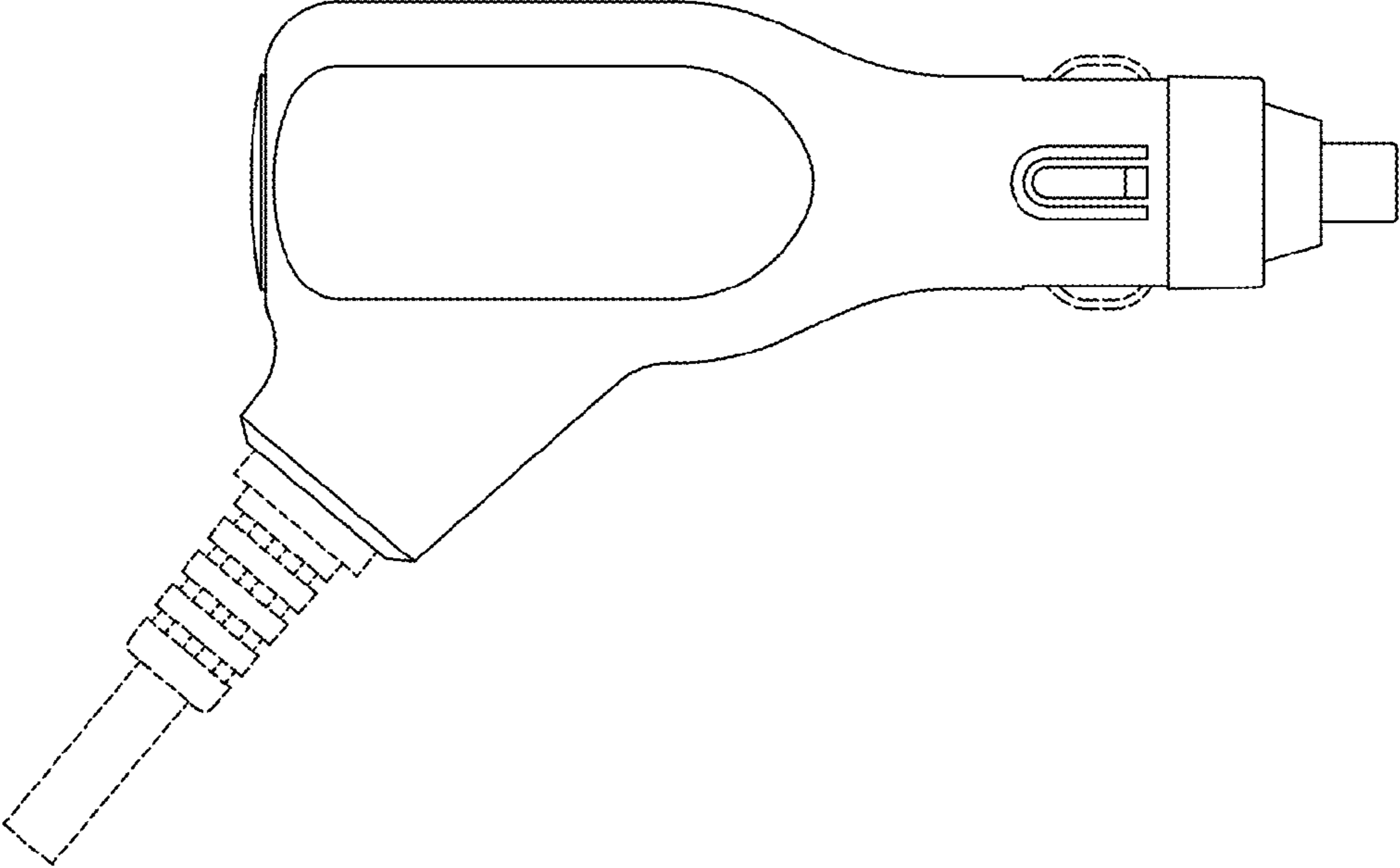


Fig. 3

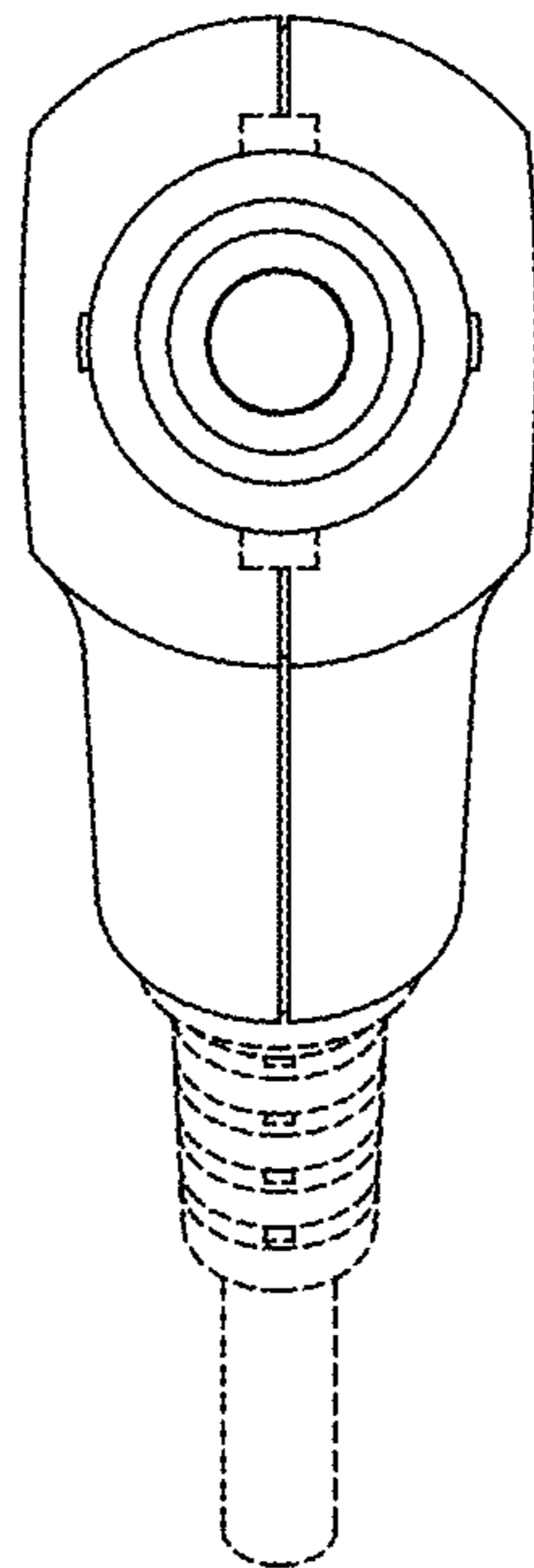


Fig. 4

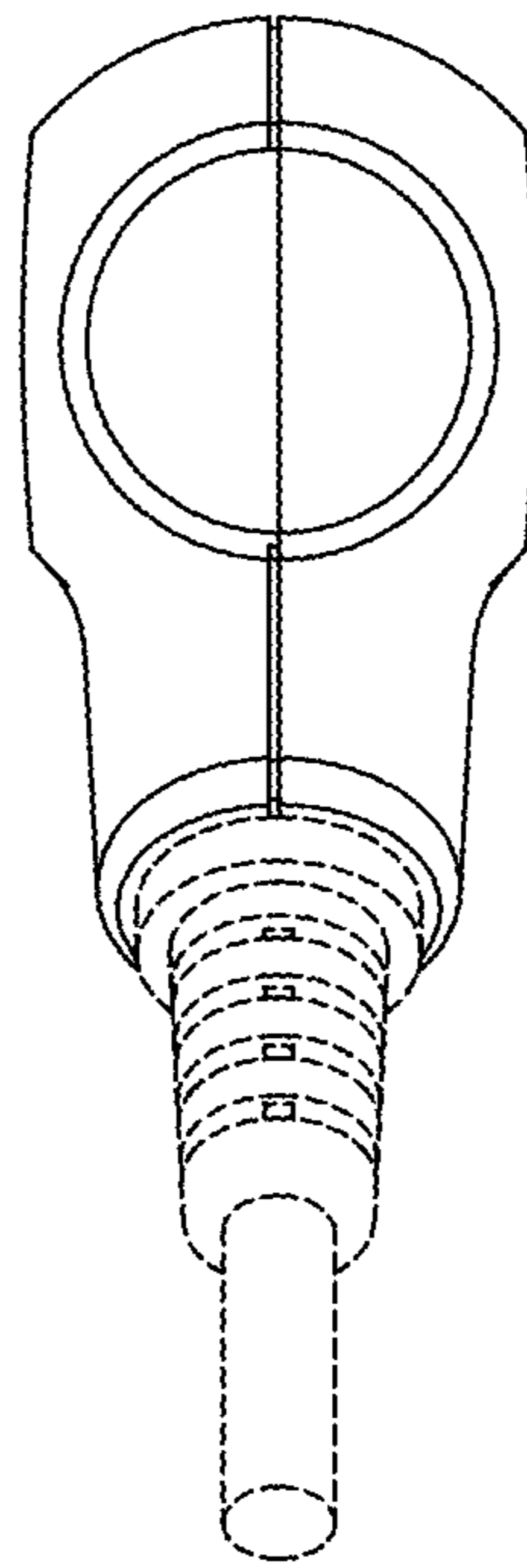


Fig. 5

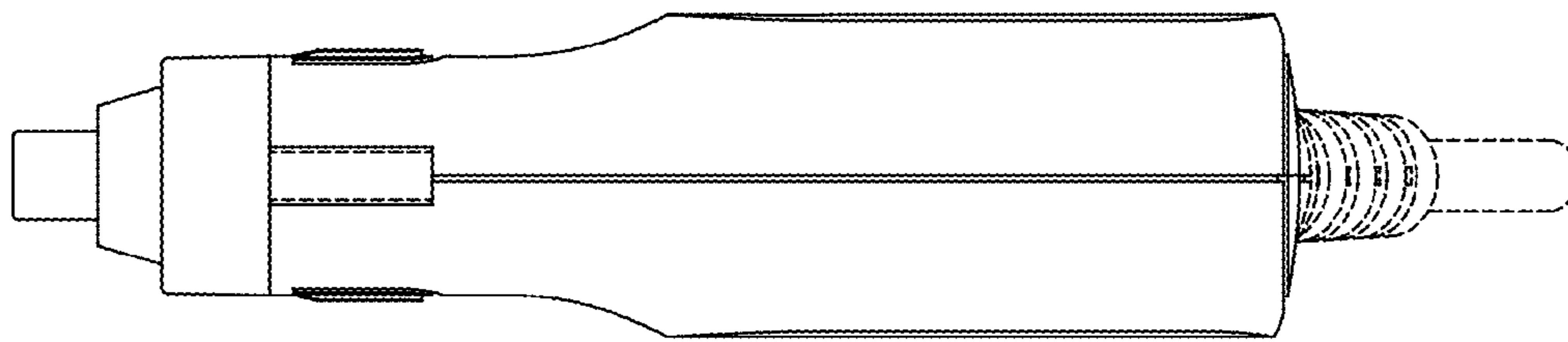


Fig . 6

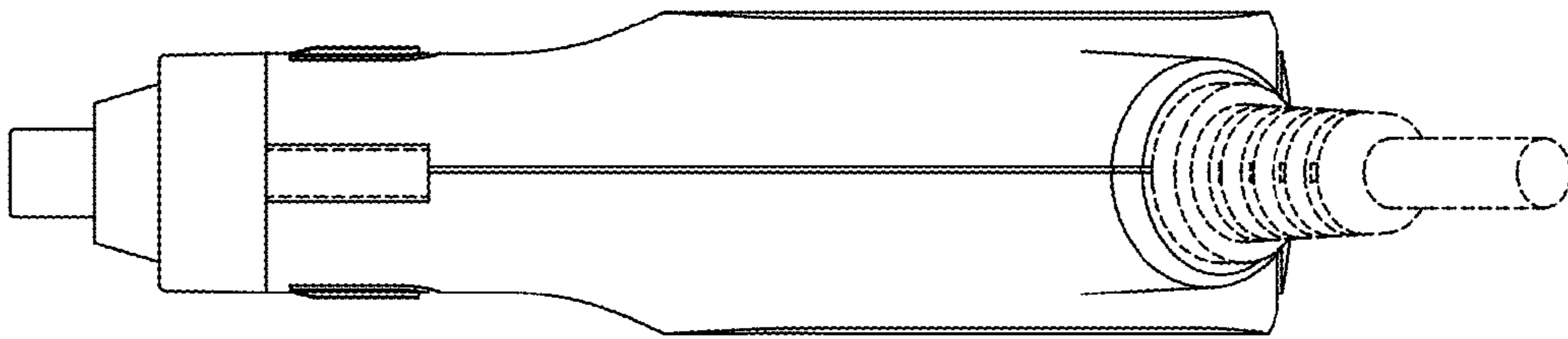


Fig. 7