



US00D721037S

(12) **United States Design Patent**
Kelly

(10) **Patent No.:** **US D721,037 S**
(45) **Date of Patent:** **** Jan. 13, 2015**

- (54) **WALL PLUG ADAPTER**
- (71) Applicant: **Intelligent Energy Limited**,
Leicestershire (GB)
- (72) Inventor: **Andrew Kelly**, Leicestershire (GB)
- (73) Assignee: **Intelligent Energy Limited**,
Loughborough (GB)
- (**) Term: **14 Years**
- (21) Appl. No.: **29/482,097**
- (22) Filed: **Feb. 13, 2014**
- (51) **LOC (10) Cl.** **13-03**
- (52) **U.S. Cl.**
USPC **D13/137.1**
- (58) **Field of Classification Search**
USPC D13/137.1, 137.2, 138.1, 138.2, 139.1,
D13/108, 139.3, 110, 199, 152, 160;
439/655, 172, 337, 694, 131, 171,
439/476.1, 650-654, 628, 606, 106, 105;
174/53, 54, 57, 59, 61
See application file for complete search history.

- D702,182 S * 4/2014 Druker et al. D13/110
- 8,708,722 B1 * 4/2014 Walliser et al. 439/172
- D705,733 S * 5/2014 Zaslavsky et al. D13/137.2
- D706,220 S * 6/2014 Zaslavsky et al. D13/137.2

* cited by examiner

Primary Examiner — Ian Simmons

Assistant Examiner — Rhea Shields

(74) *Attorney, Agent, or Firm* — Baker and Hostetler LLP

(57) **CLAIM**

The ornamental design for a wall plug adapter, as shown and described.

DESCRIPTION

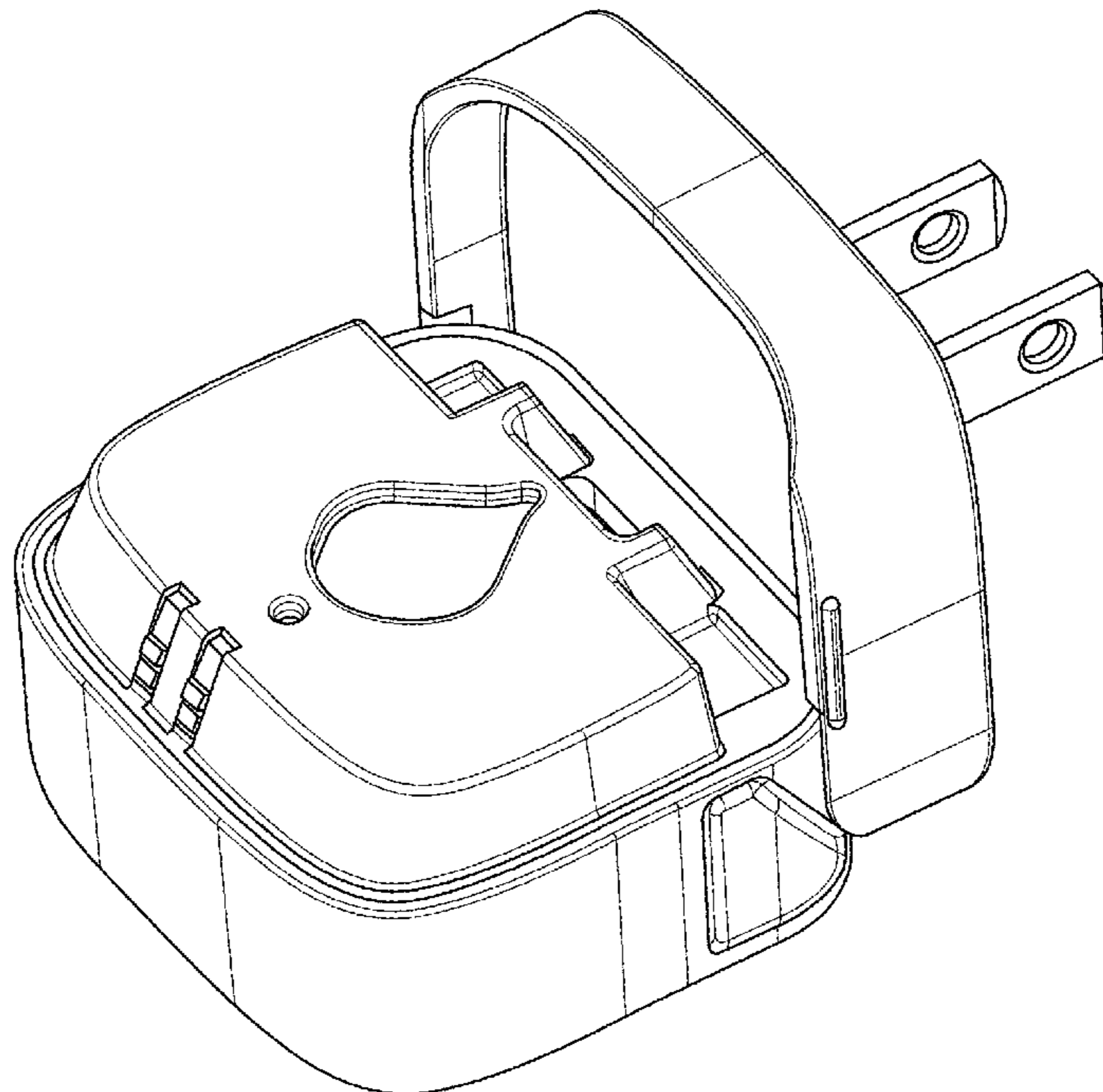
FIG. 1 is a perspective view back towards front of a wall plug adapter showing my new design;
 FIG. 2 is a perspective view front towards back of a wall plug adapter showing my new design;
 FIG. 3 is a side view of a wall plug adapter showing my new design;
 FIG. 4 is a side view of a wall plug adapter showing my new design;
 FIG. 5 is a back view of a wall plug adapter showing my new design;
 FIG. 6 is a front view of a wall plug adapter showing my new design;
 FIG. 7 is a bottom view of a wall plug adapter showing my new design; and,
 FIG. 8 is a top view of a wall plug adapter showing my new design.
 In the drawings, the broken lines depict unclaimed subject matter only and form no part of the claimed design.

(56) **References Cited**

U.S. PATENT DOCUMENTS

- 6,302,717 B1 * 10/2001 Cheung 439/172
- D462,056 S * 8/2002 Chung D13/137.1
- D474,744 S * 5/2003 Wu D13/137.1
- D654,435 S * 2/2012 Lee D13/138.2
- D655,244 S * 3/2012 Au D13/108
- D698,314 S * 1/2014 Byrne et al. D13/139.3
- D701,836 S * 4/2014 Byrne D13/139.1

1 Claim, 7 Drawing Sheets



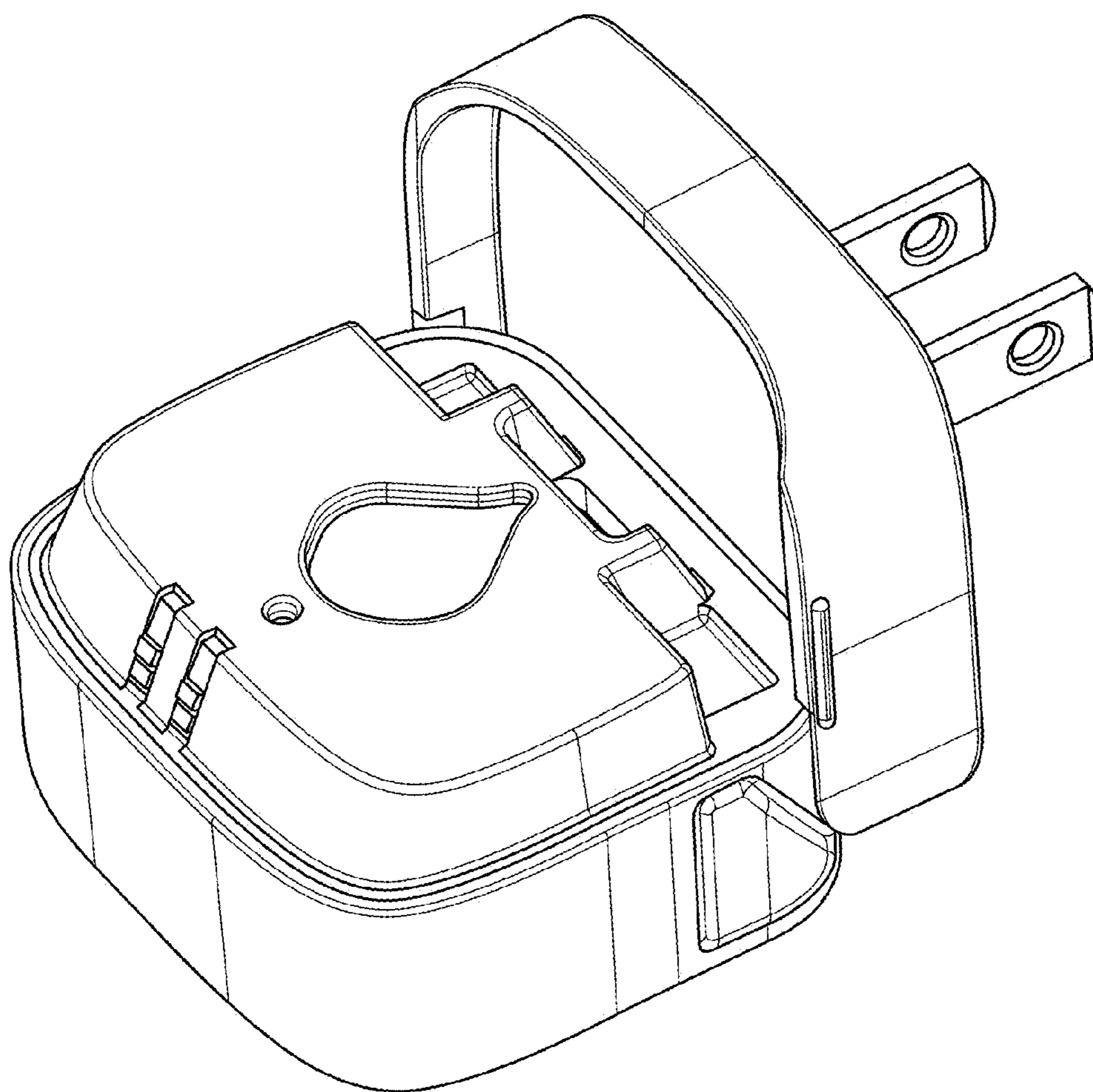


FIG. 1

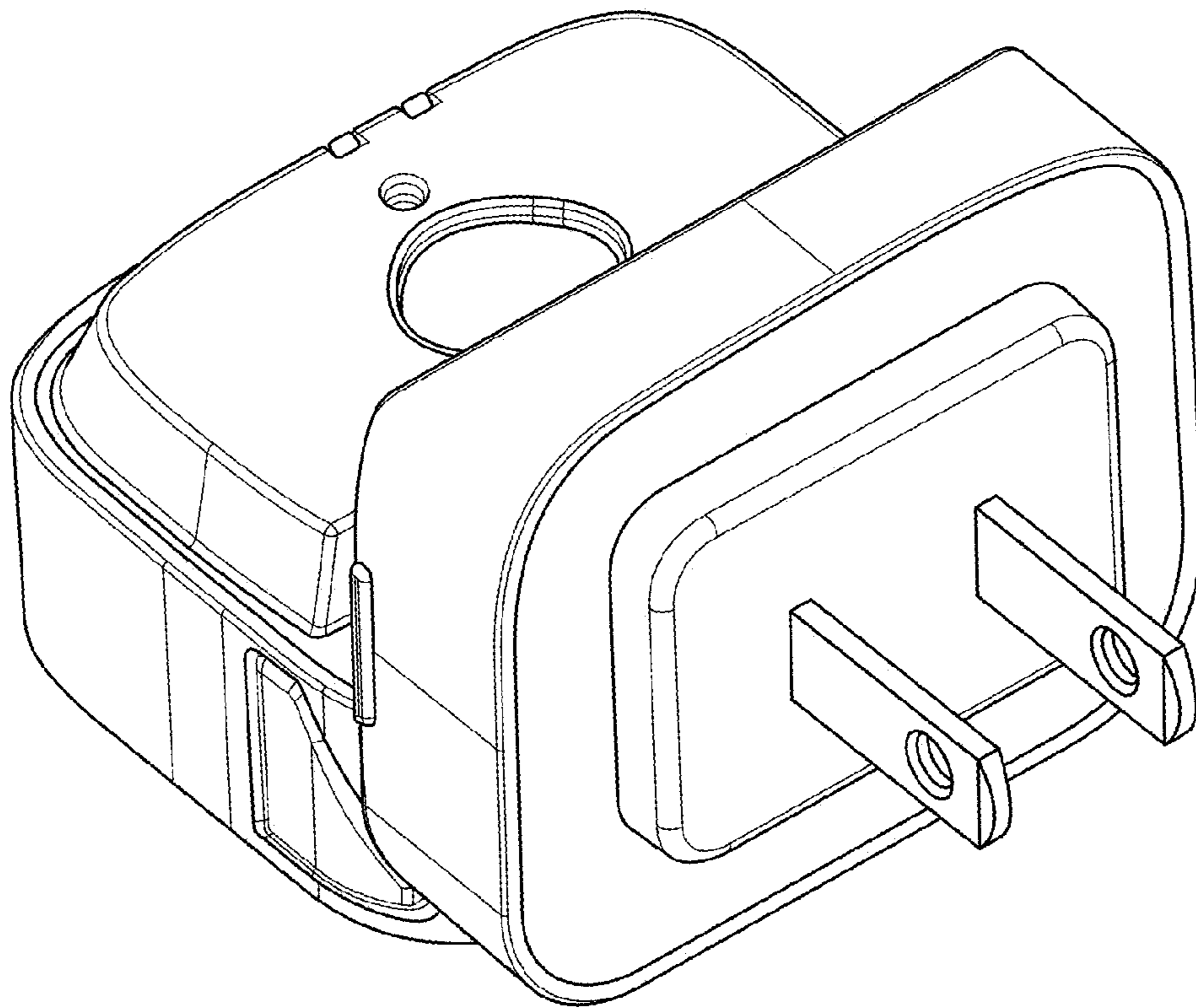


FIG. 2

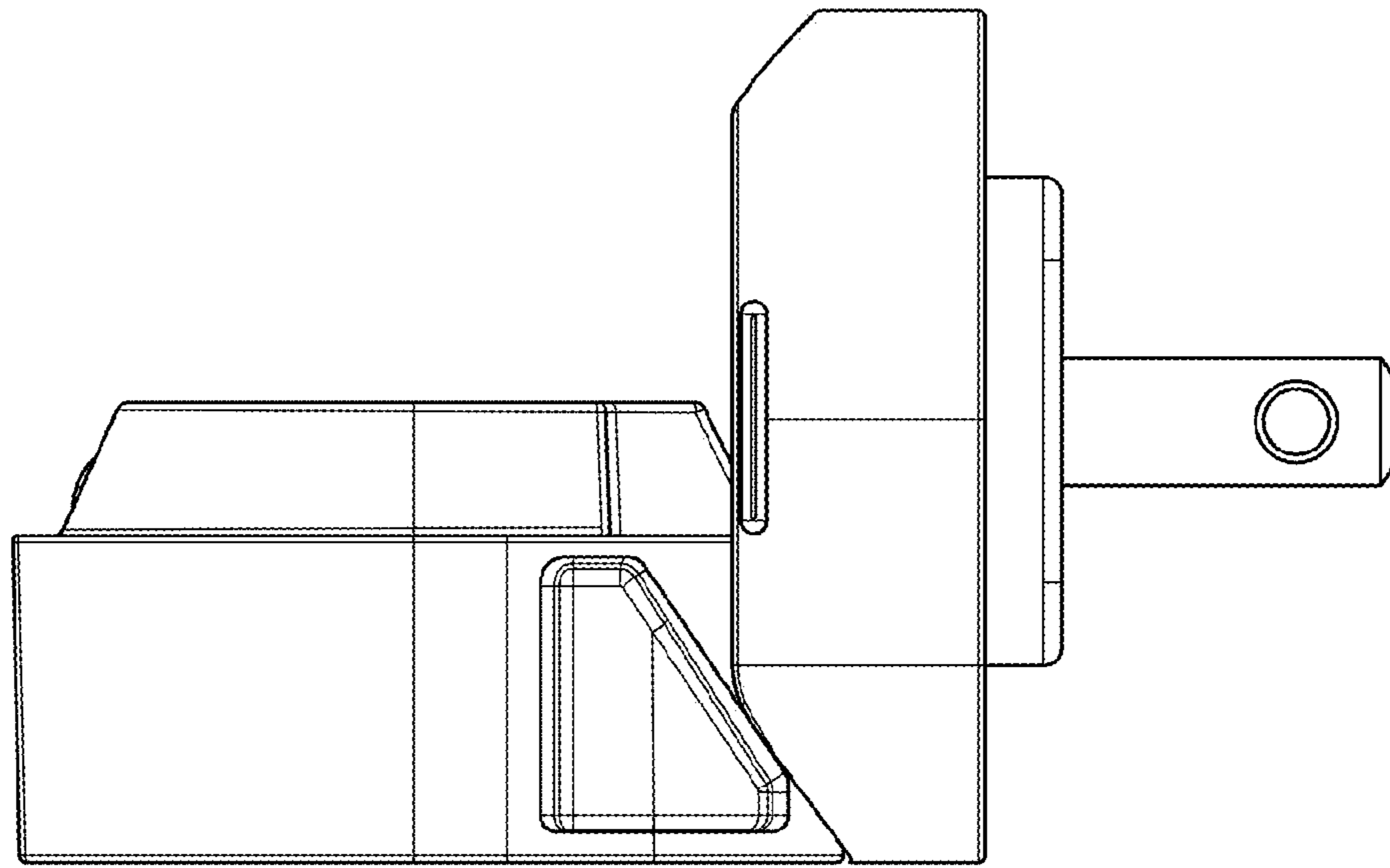


FIG. 3

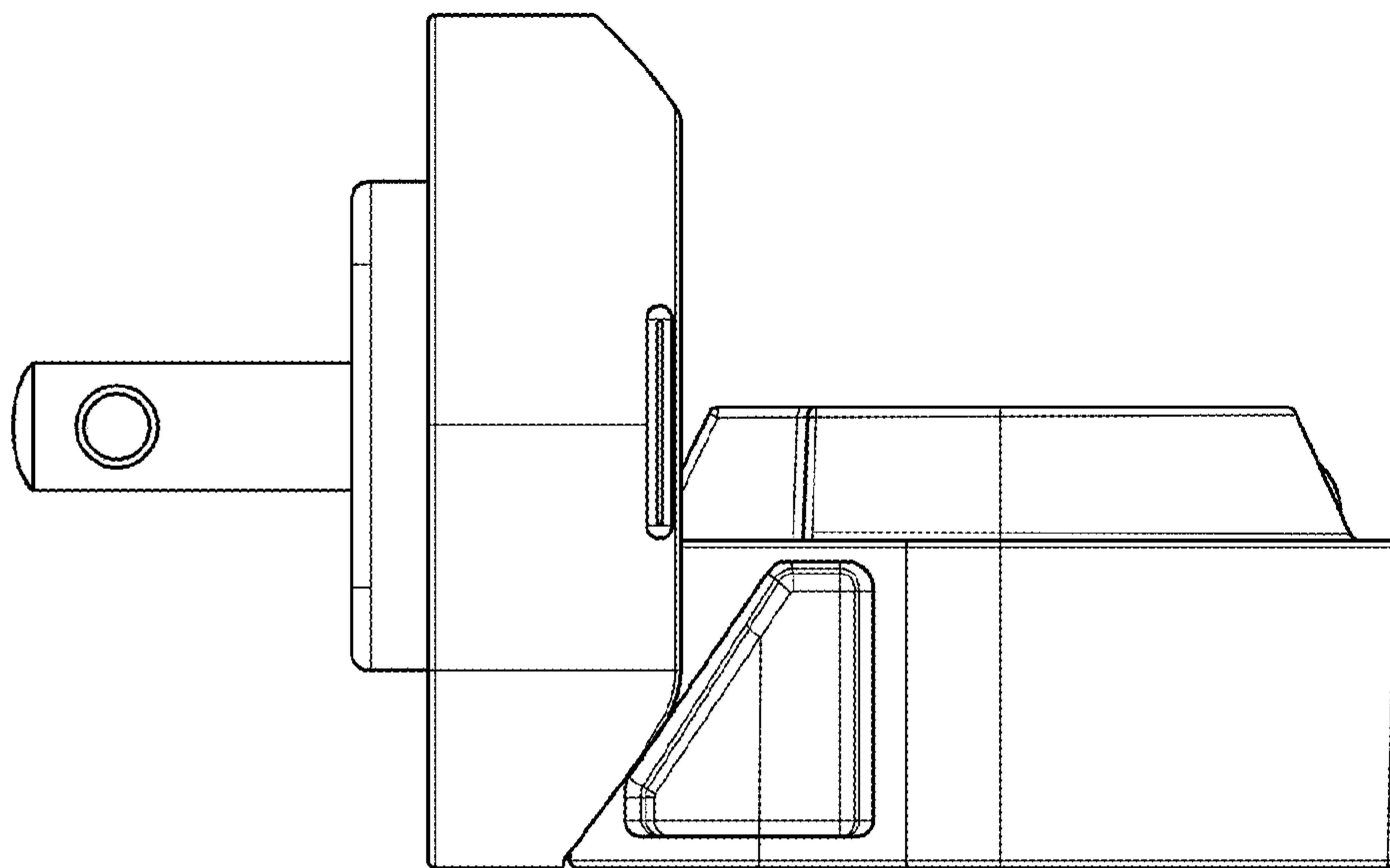


FIG. 4

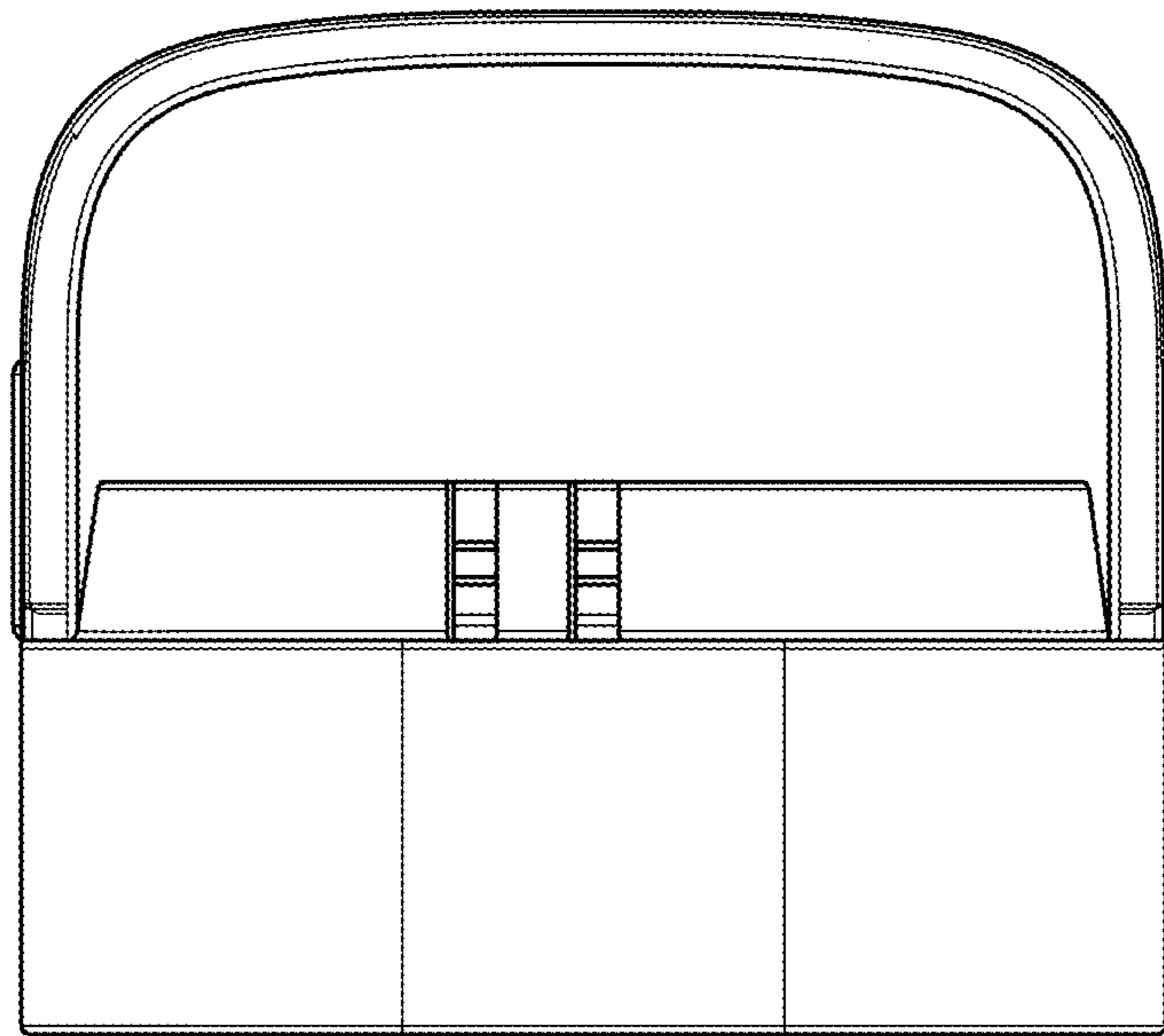


FIG. 5

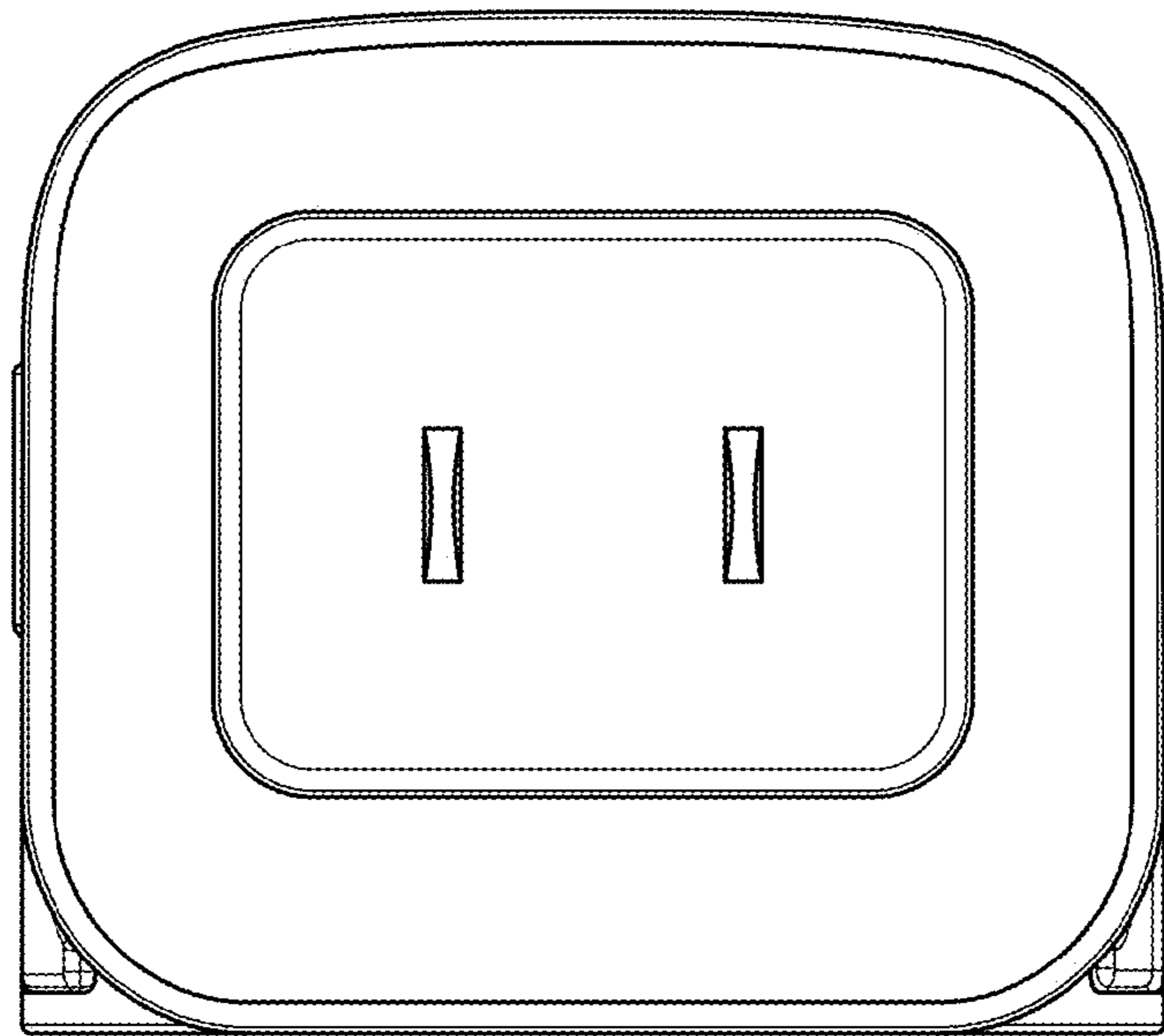


FIG. 6

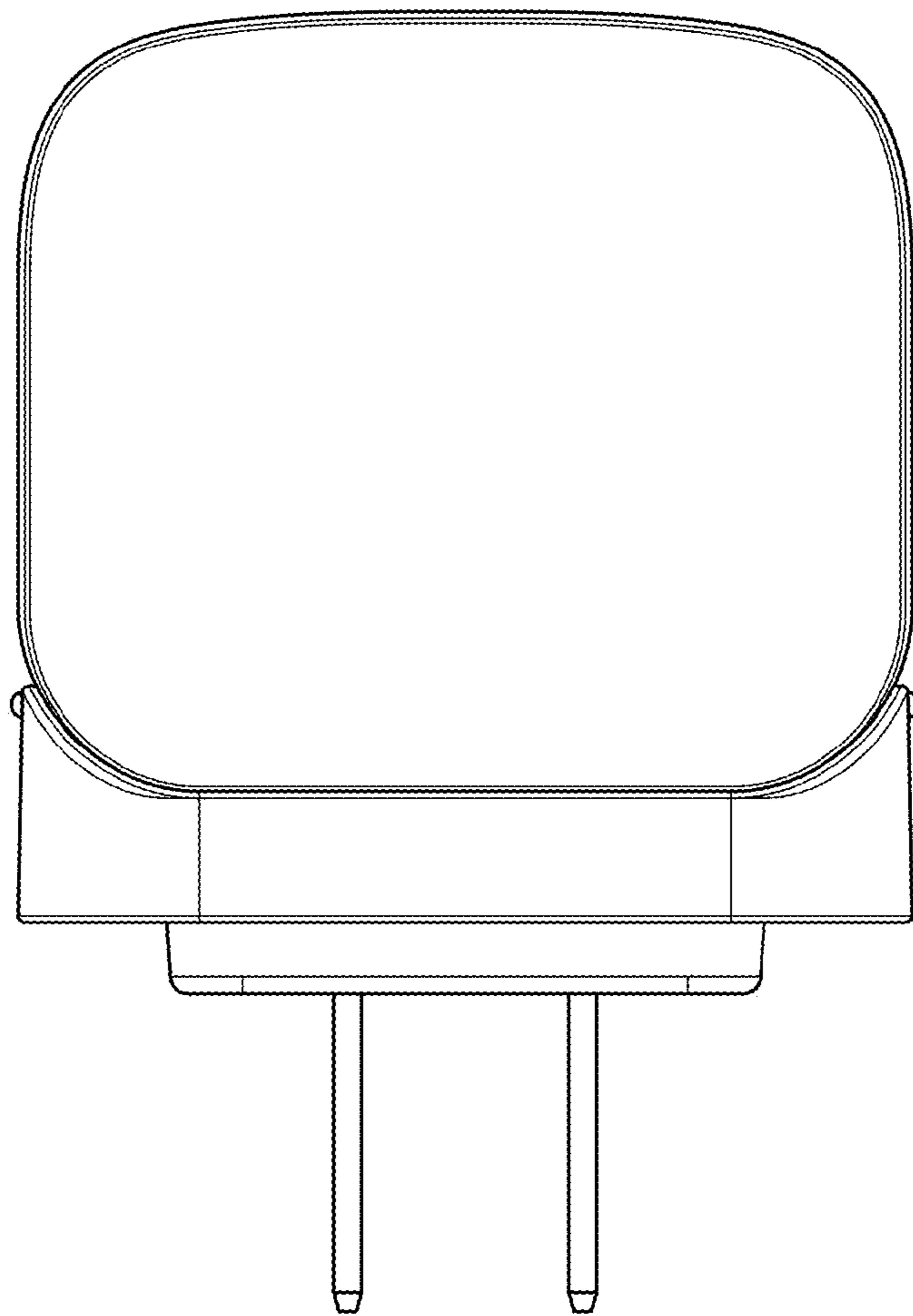


FIG. 7

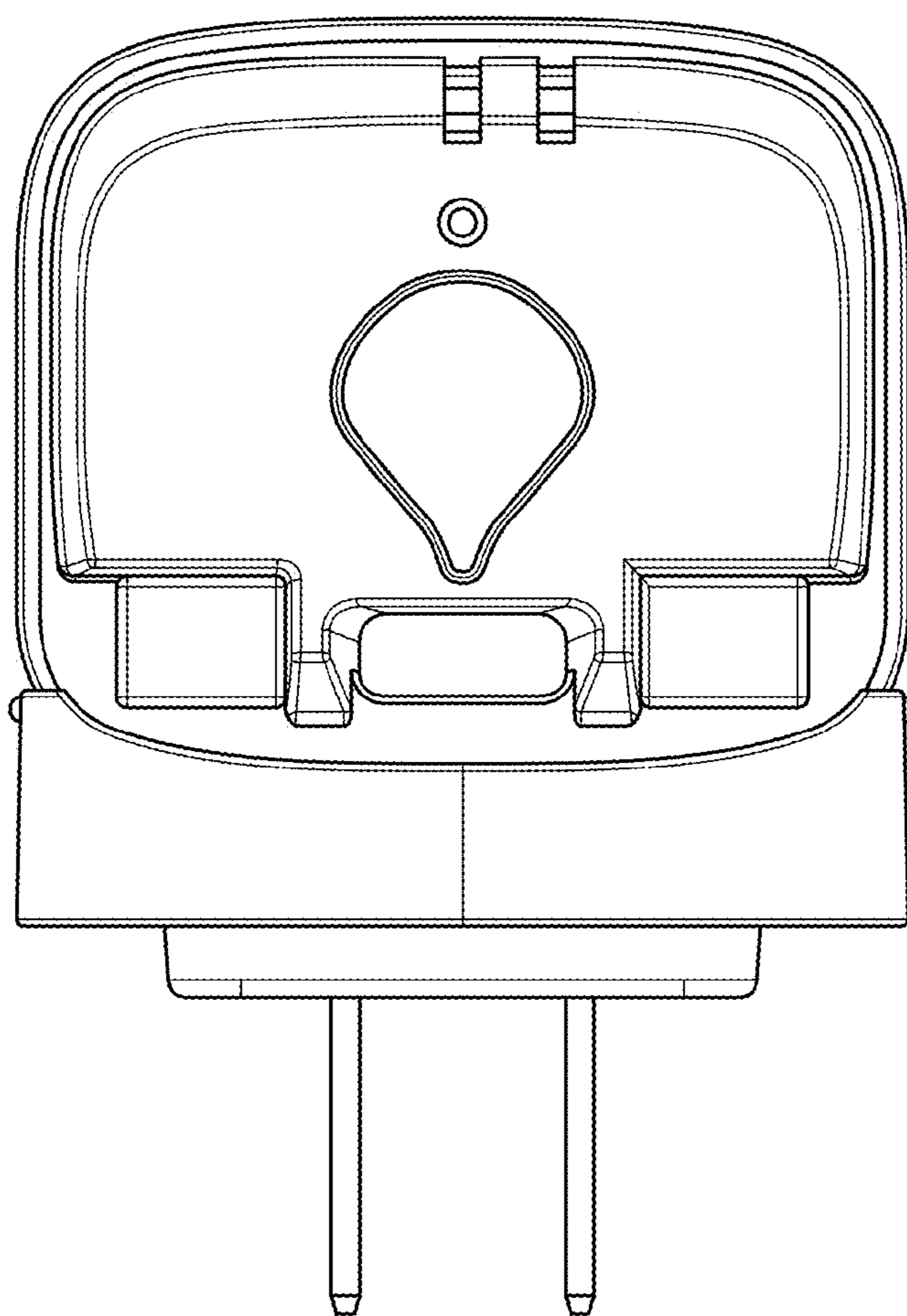


FIG. 8