



US00D721036S

(12) **United States Design Patent**
Kreitzer

(10) **Patent No.:** **US D721,036 S**
(45) **Date of Patent:** **** Jan. 13, 2015**

(54) **ADAPTER FOR AN ACCESSORY-HOST INTERFACE**

(71) Applicant: **Tektronix, Inc.**, Beaverton, OR (US)

(72) Inventor: **Robert R. Kreitzer**, Tigard, OR (US)

(73) Assignee: **Tektronix, Inc.**, Beaverton, OR (US)

(**) Term: **14 Years**

(21) Appl. No.: **29/433,445**

(22) Filed: **Sep. 28, 2012**

(51) **LOC (10) Cl.** **13-03**

(52) **U.S. Cl.**
USPC **D13/133; D13/147**

(58) **Field of Classification Search**
USPC D13/133, 134, 135, 147, 154, 184, 199;
D14/217, 356, 358, 369, 383, 385, 432,
D14/433, 439, 440, 447, 454; D10/76, 78,
D10/80; 439/180, 246, 252, 278, 374, 378,
439/379, 380, 381, 527, 529, 530, 533, 892,
439/894, 630

See application file for complete search history.

(56) **References Cited**

U.S. PATENT DOCUMENTS

D566,047 S	4/2008	Gabel et al.	
D643,841 S	8/2011	Lyford et al.	
D649,970 S	12/2011	Lyford et al.	
D649,971 S	12/2011	Lyford et al.	
D660,800 S *	5/2012	Kreitzer et al. D13/133
D672,718 S *	12/2012	Lyford et al. D13/133

* cited by examiner

Primary Examiner — Daniel Bui

(74) *Attorney, Agent, or Firm* — William K. Bucher; Marger Johnson & McCollom, PC

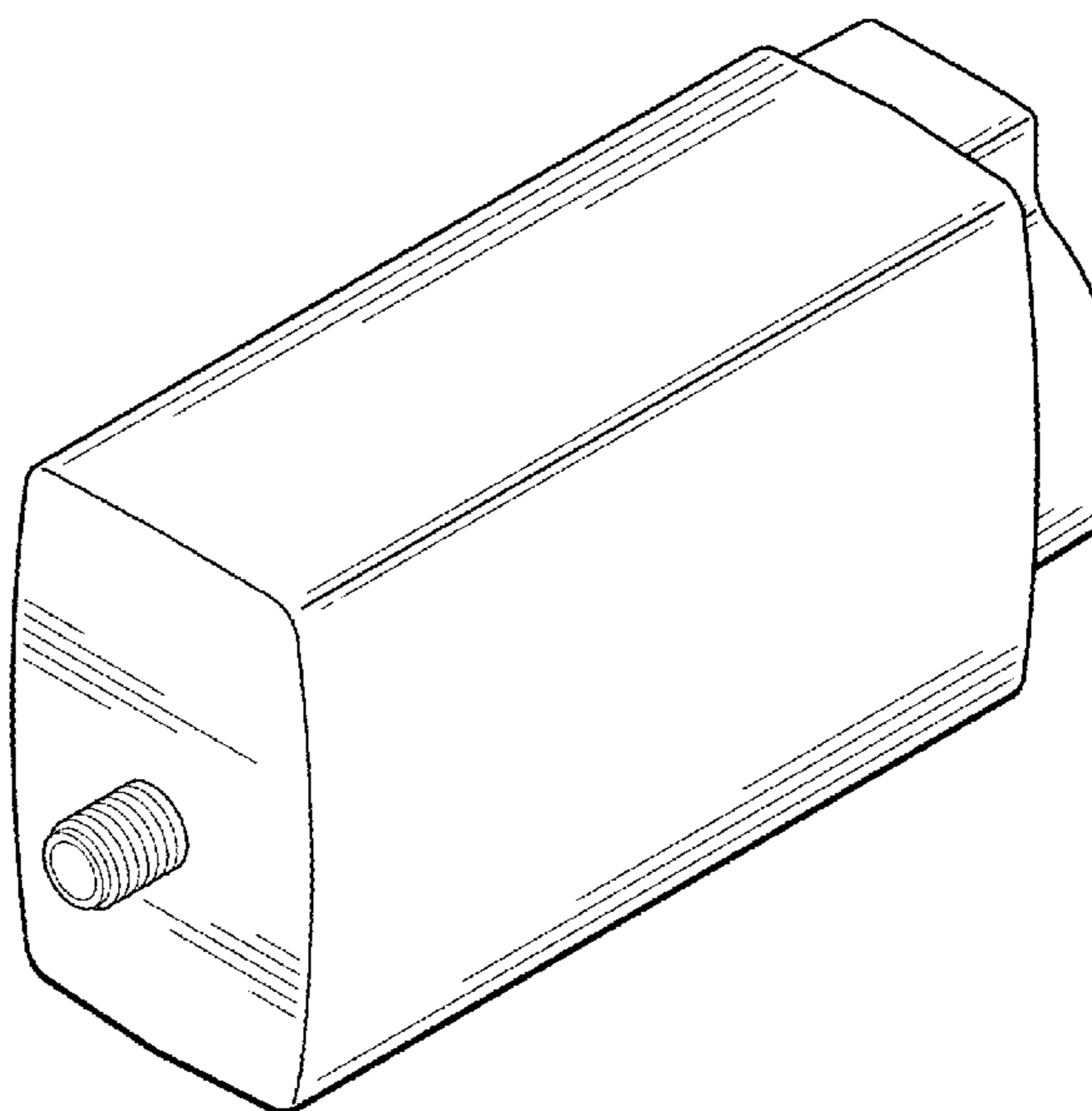
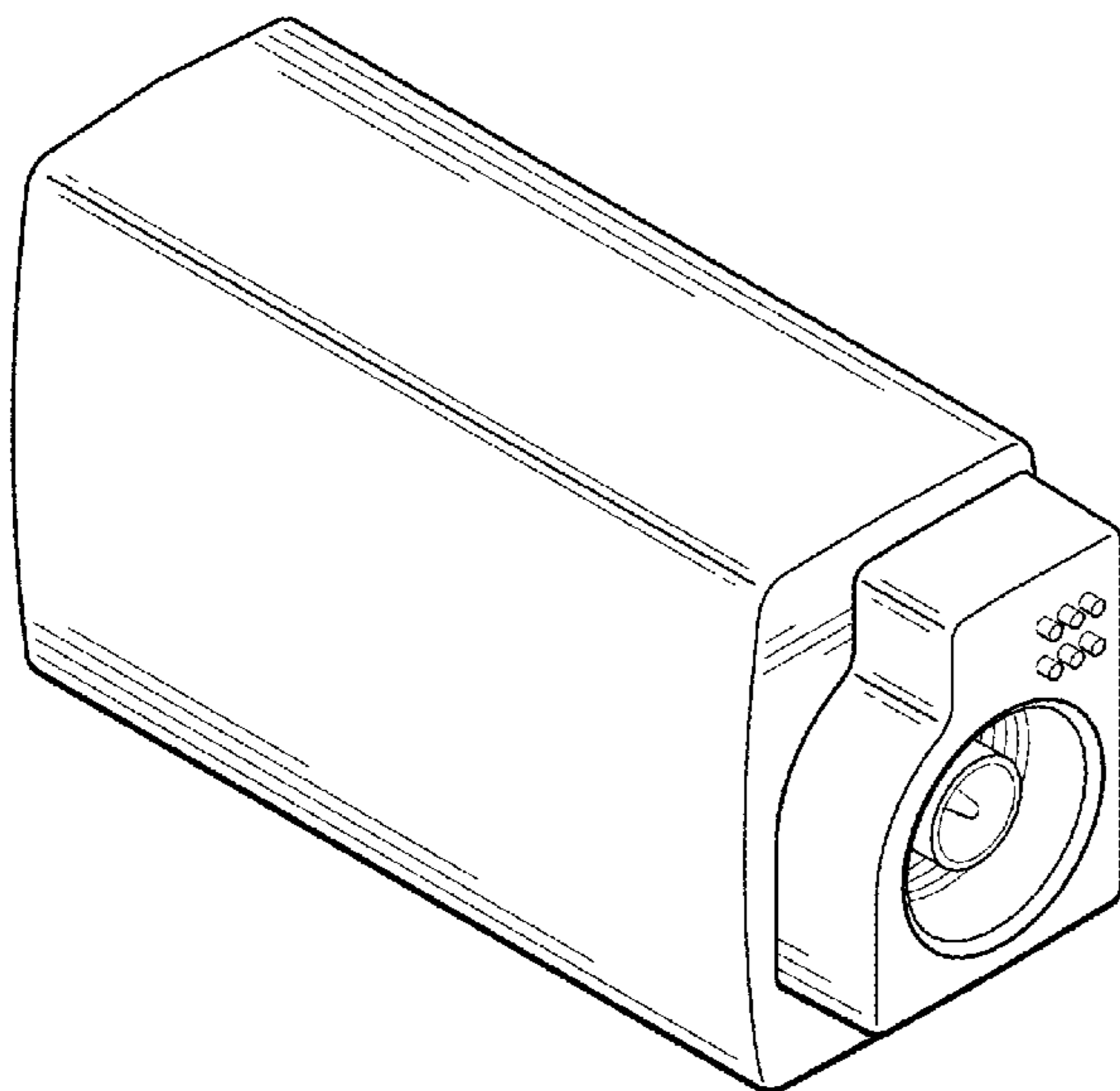
(57) **CLAIM**

The ornamental design for an adapter for an accessory-host interface, as shown and described.

DESCRIPTION

FIG. 1 is a front perspective view showing the plug end of an adapter for an accessory-host interface disposed in a host device;
FIG. 2 is a reverse perspective view showing the electrical connector end of the adapter for an accessory-host interface;
FIG. 3 is a top plan view thereof;
FIG. 4 is a left side elevation view thereof;
FIG. 5 is a bottom plan view of the thereof;
FIG. 6 is a right side elevation view thereof;
FIG. 7 is a front elevation view thereof; and,
FIG. 8 is a reverse elevation view thereof.

1 Claim, 3 Drawing Sheets



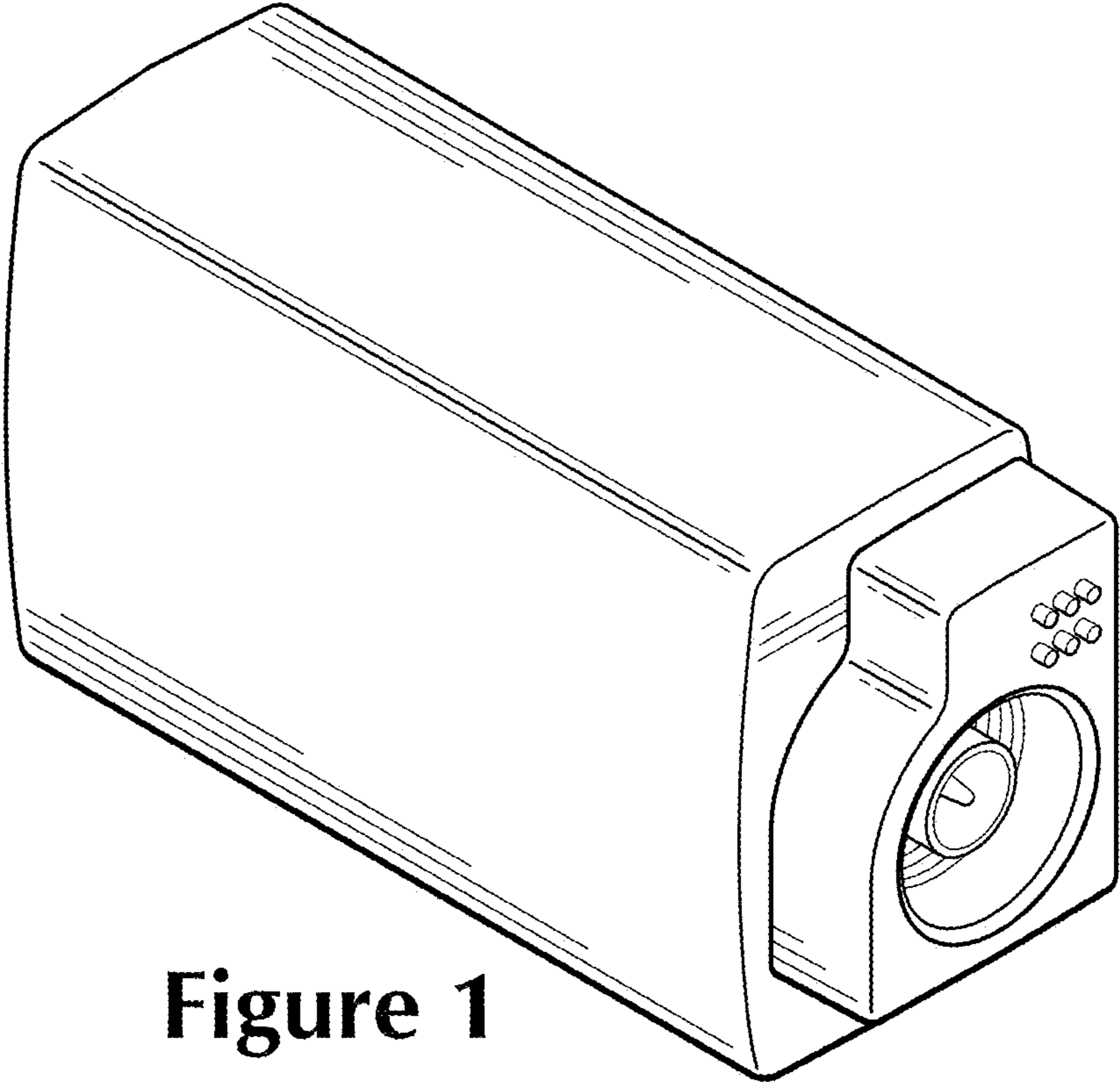


Figure 1

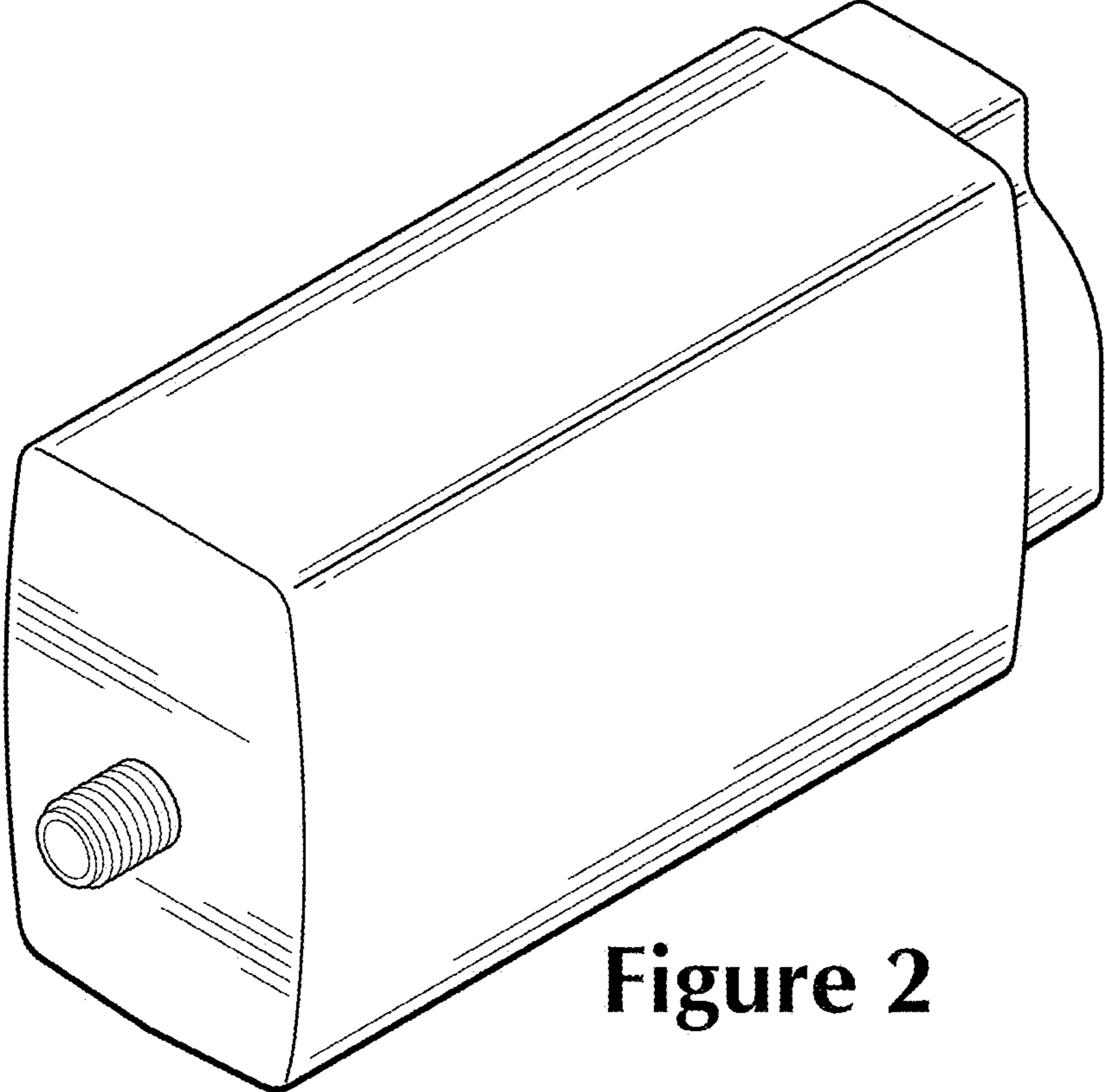


Figure 2

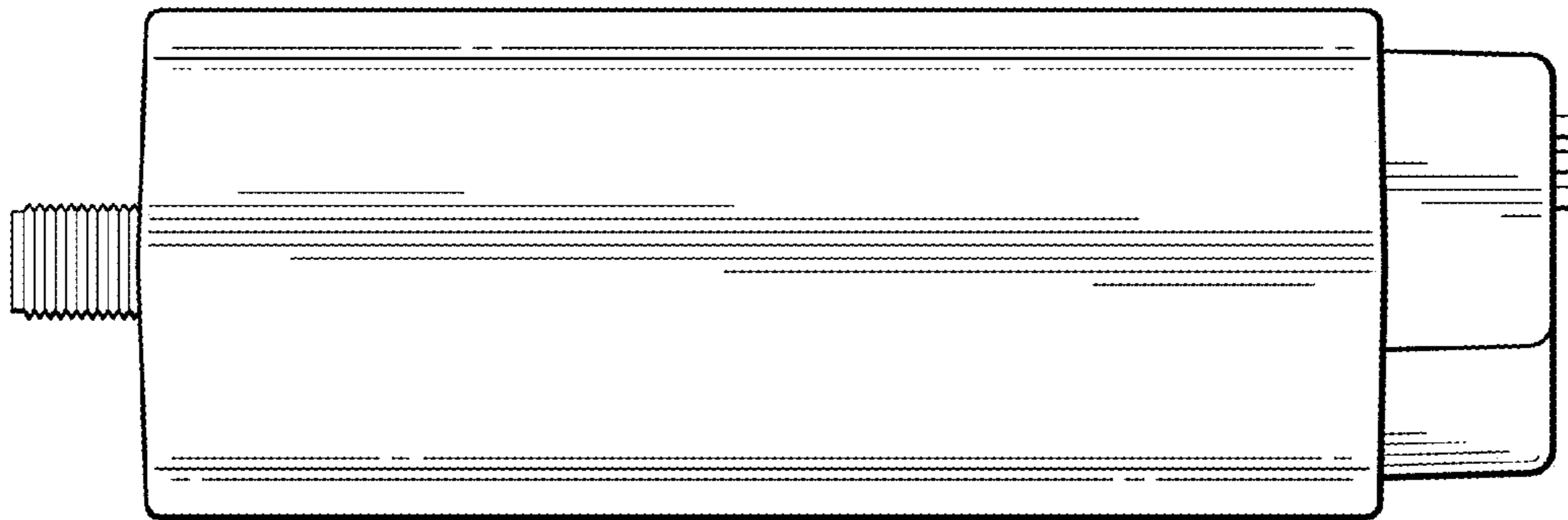


Figure 3



Figure 4

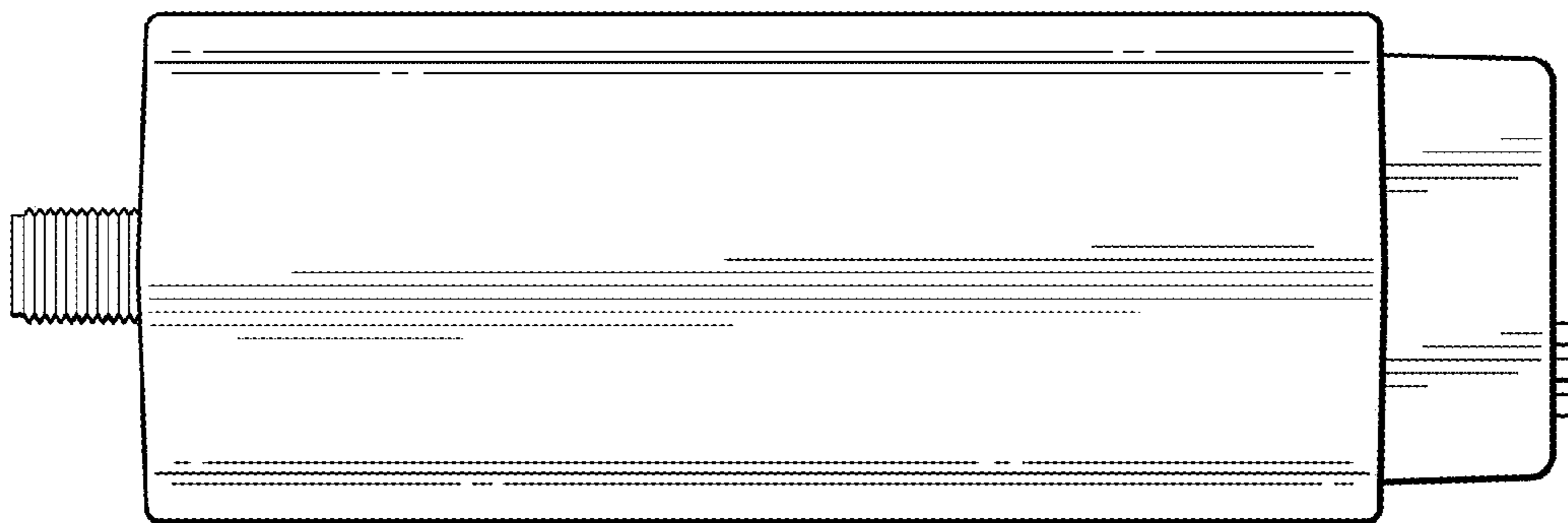


Figure 5

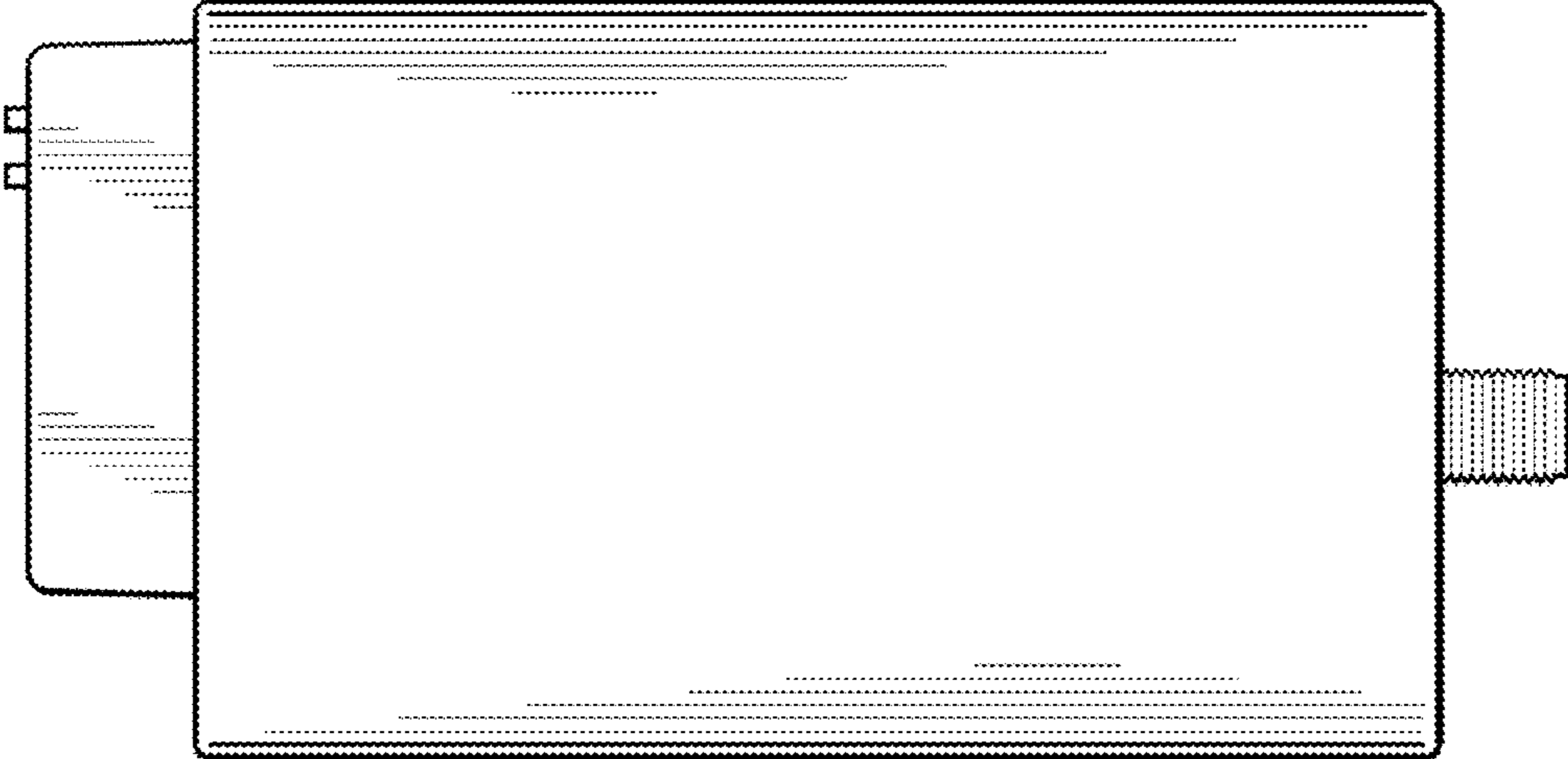


Figure 6

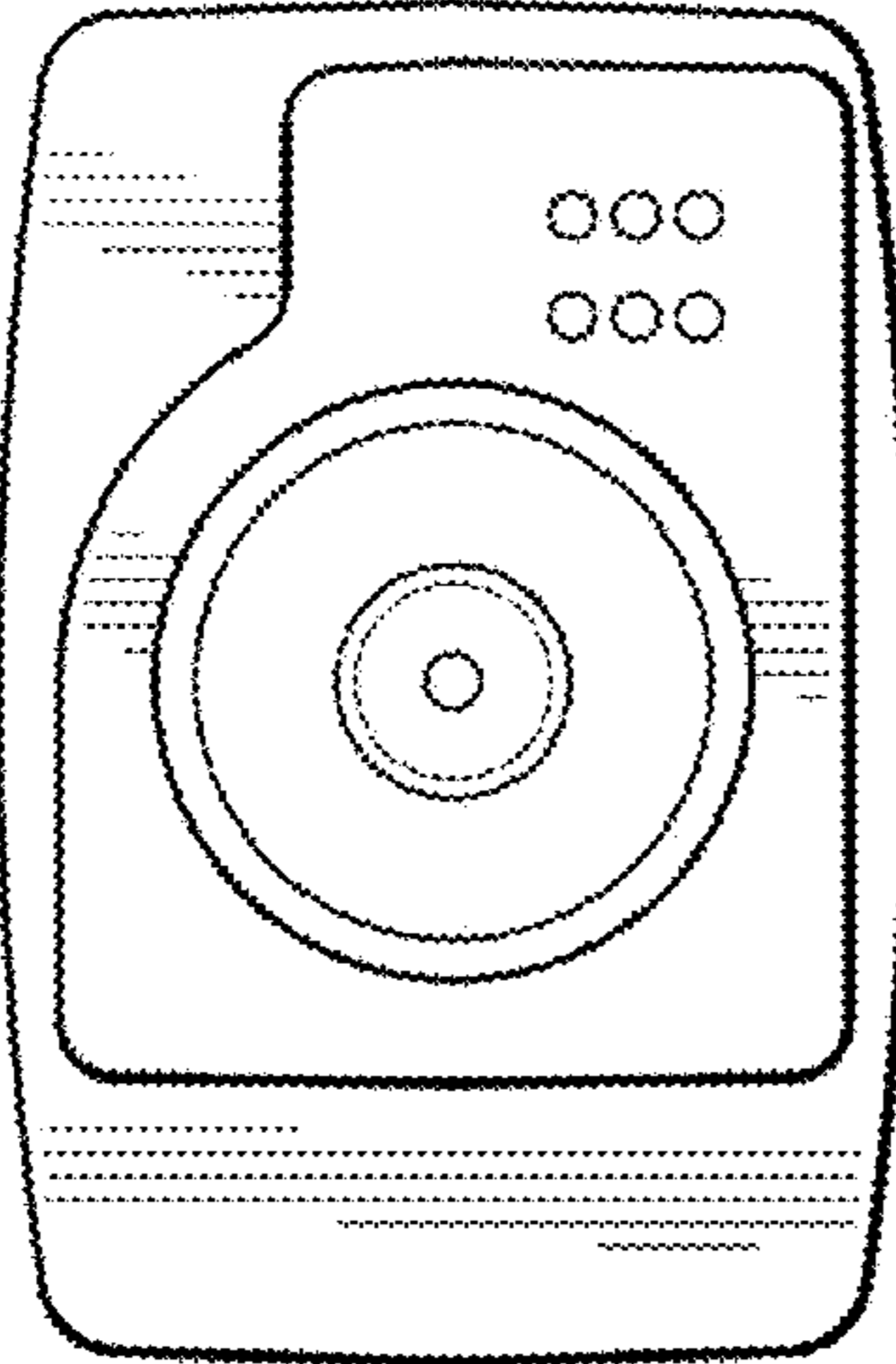


Figure 7

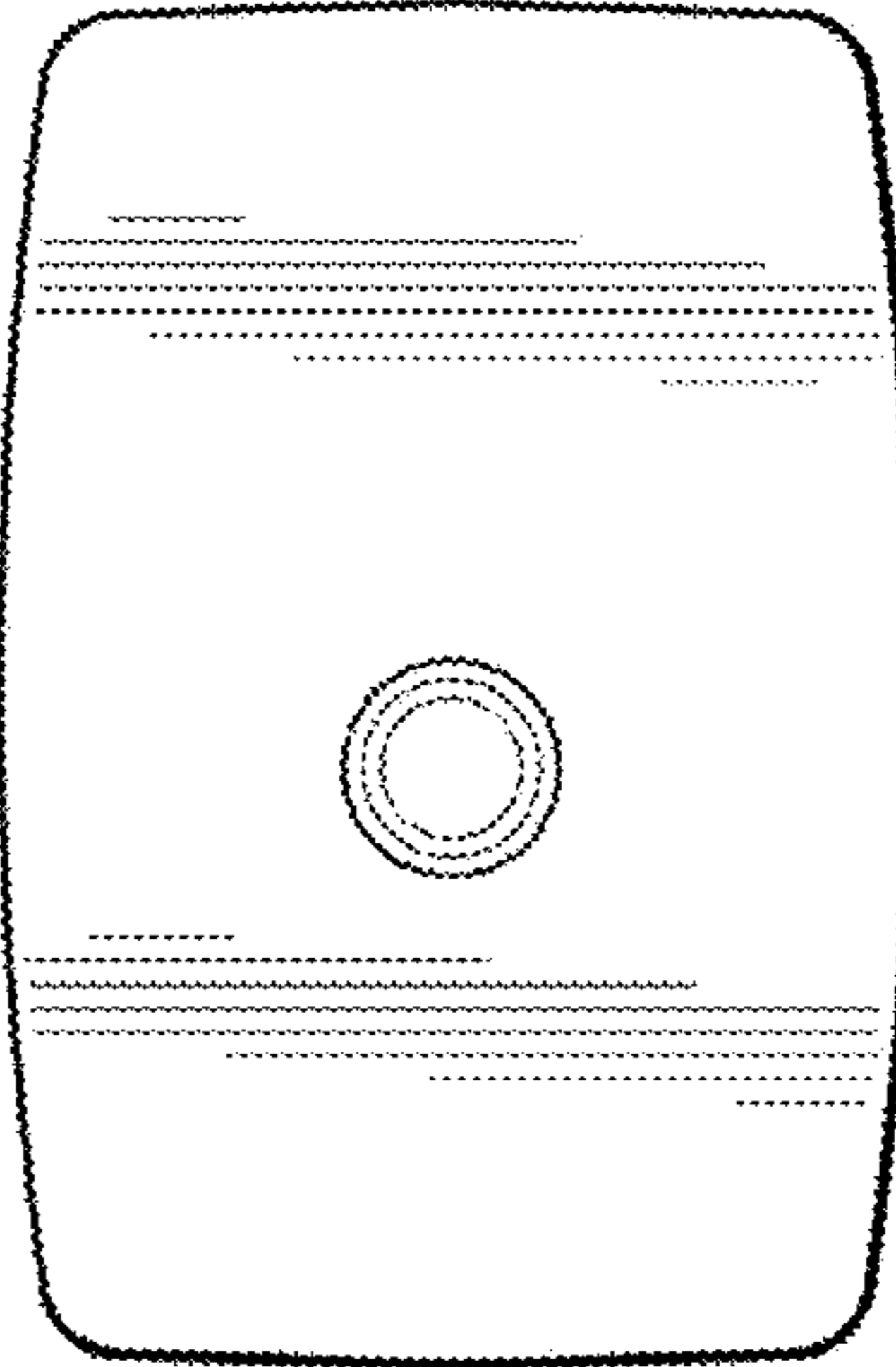


Figure 8