



US00D721026S

(12) **United States Design Patent**
Telaak

(10) **Patent No.:** **US D721,026 S**
(45) **Date of Patent:** **** Jan. 13, 2015**

(54) **VEHICLE WHEEL RIM**

(75) Inventor: **Gary Telaak**, Ingolstadt (DE)

(73) Assignee: **Audi AG**, Ingolstadt (DE)

(**) Term: **14 Years**

(21) Appl. No.: **29/420,670**

(22) Filed: **May 11, 2012**

(30) **Foreign Application Priority Data**

Nov. 11, 2011 (EM) 001 946 369-0003

(51) **LOC (10) CL.** **12-16**

(52) **U.S. CL.**
USPC **D12/209**

(58) **Field of Classification Search**

CPC B60B 7/00; B60B 7/02; B60B 7/04;
B60B 7/01; B60B 7/06; B60B 3/02; B60B
3/04; B60B 3/06; B60B 3/10; B60B 1/00;
B60B 1/08; B60B 1/10; B60B 1/12

USPC D12/204-213

See application file for complete search history.

(56) **References Cited**

U.S. PATENT DOCUMENTS

D432,974 S * 10/2000 Jablonski D12/211
D457,478 S * 5/2002 Minamisawa D12/211

D478,307 S * 8/2003 Maifrini D12/211
D537,026 S * 2/2007 Nordmann D12/209
D540,238 S * 4/2007 Sycha D12/209
D542,728 S * 5/2007 Ichinose D12/211
D558,118 S * 12/2007 Hueller D12/211
D589,428 S * 3/2009 Scheu D12/211
D590,319 S * 4/2009 Juergens et al. D12/211
D594,397 S * 6/2009 Laengerer D12/211
D597,919 S * 8/2009 Atwell D12/211
D598,834 S * 8/2009 Juergens et al. D12/209
D620,862 S * 8/2010 Pollmann D12/209
D621,765 S * 8/2010 Baum D12/209
D629,733 S * 12/2010 Tirado D12/211
D659,068 S * 5/2012 Johnson D12/211
D673,092 S * 12/2012 Platto et al. D12/209

* cited by examiner

Primary Examiner — Stacia Cadmus

(74) *Attorney, Agent, or Firm* — Lucas & Mercanti, LLP;
Klaus P. Stoffel

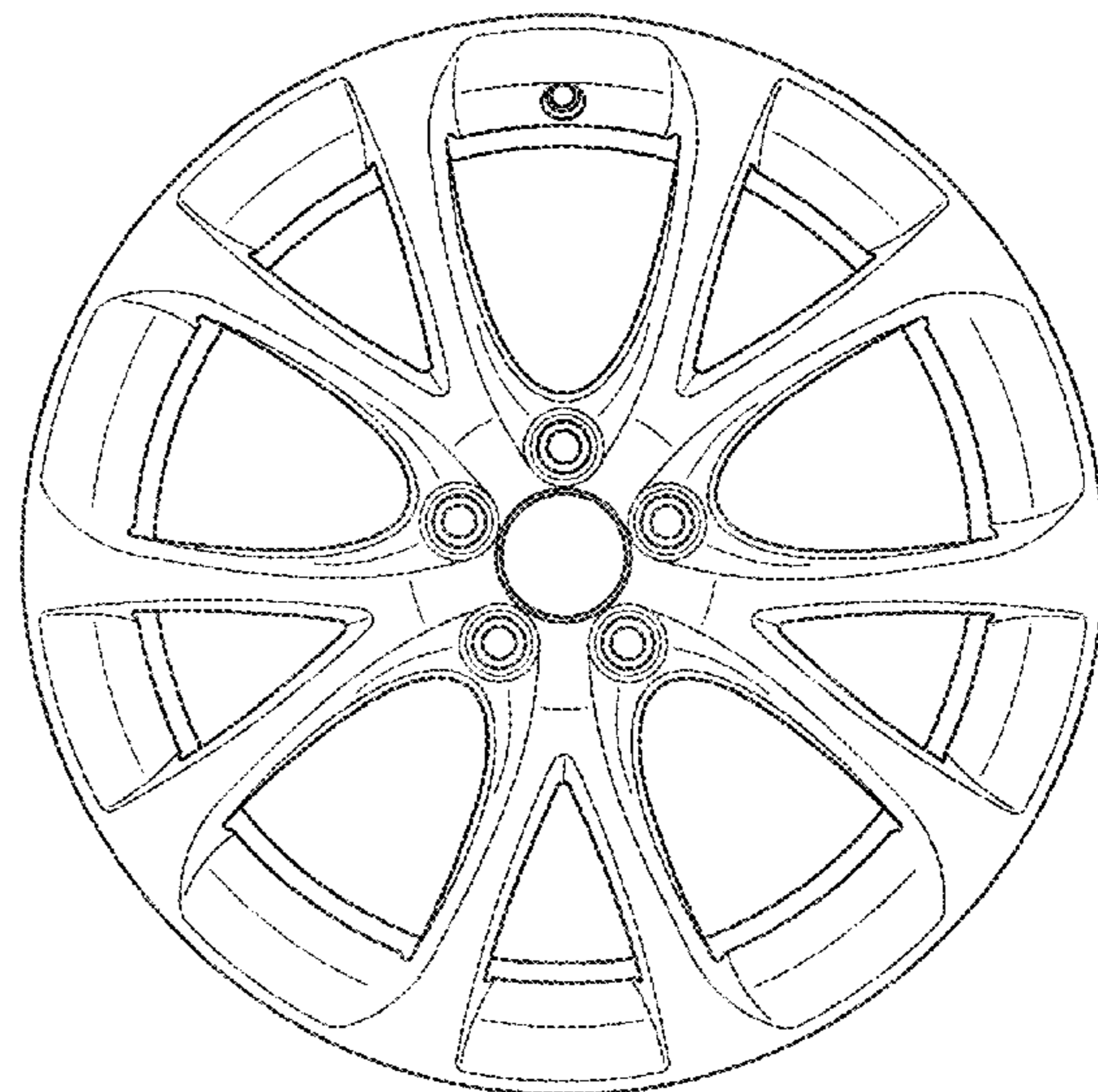
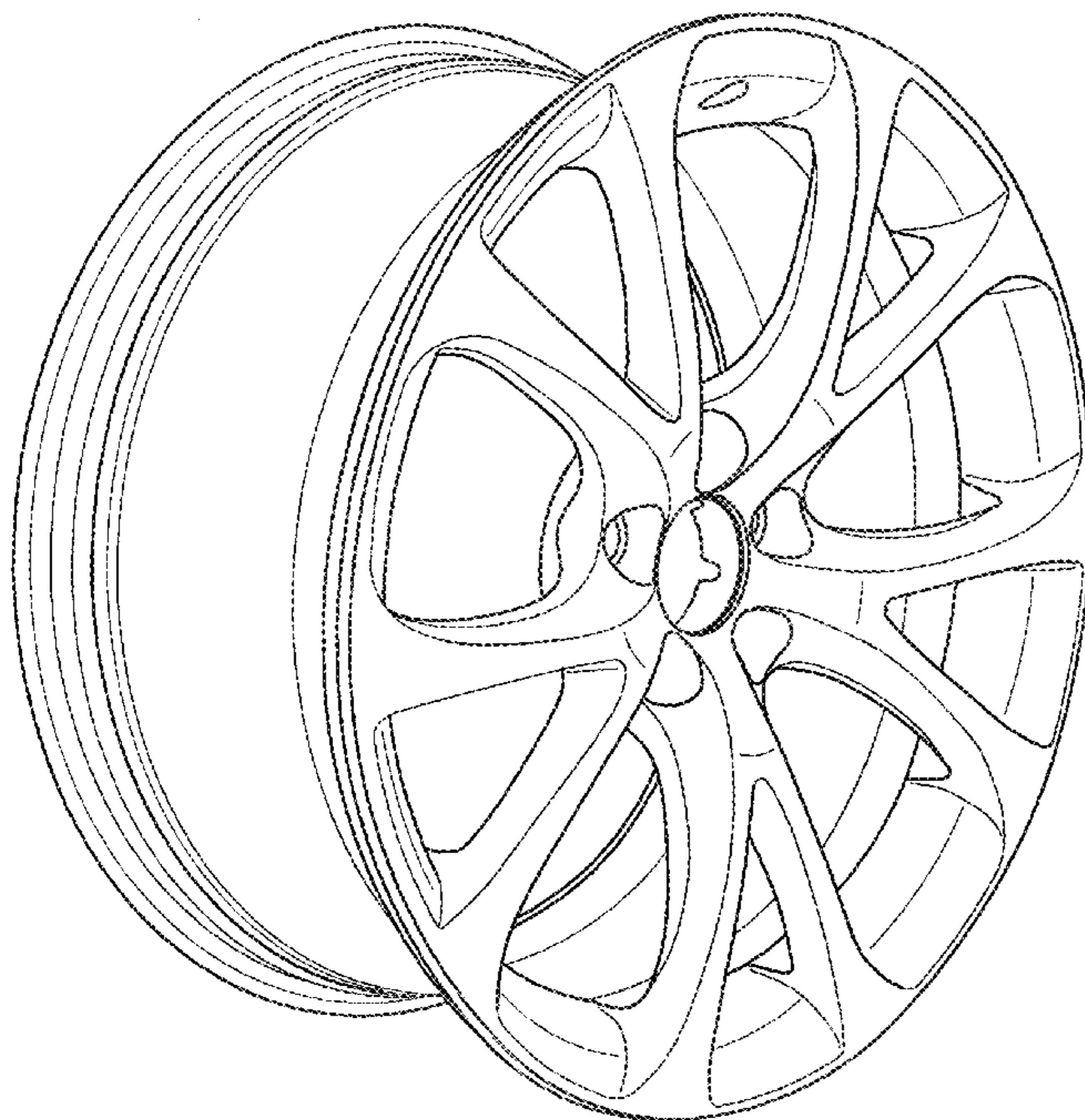
(57) **CLAIM**

The original design for a vehicle wheel rim, as shown and described.

DESCRIPTION

FIG. 1 is a front, side perspective view of the vehicle wheel rim of the present invention; and, FIG. 2 is a front view thereof.

1 Claim, 2 Drawing Sheets



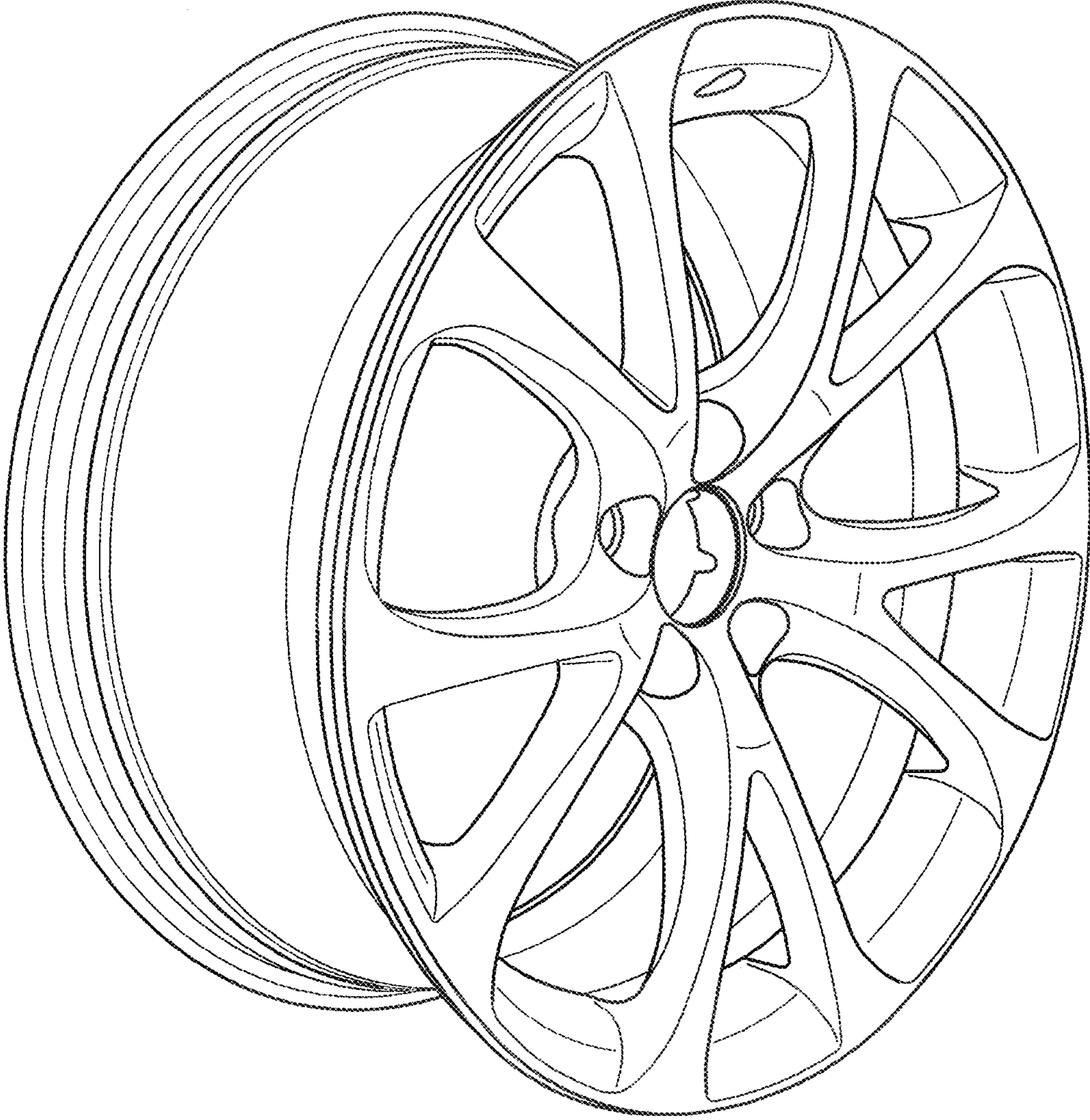


Fig. 1

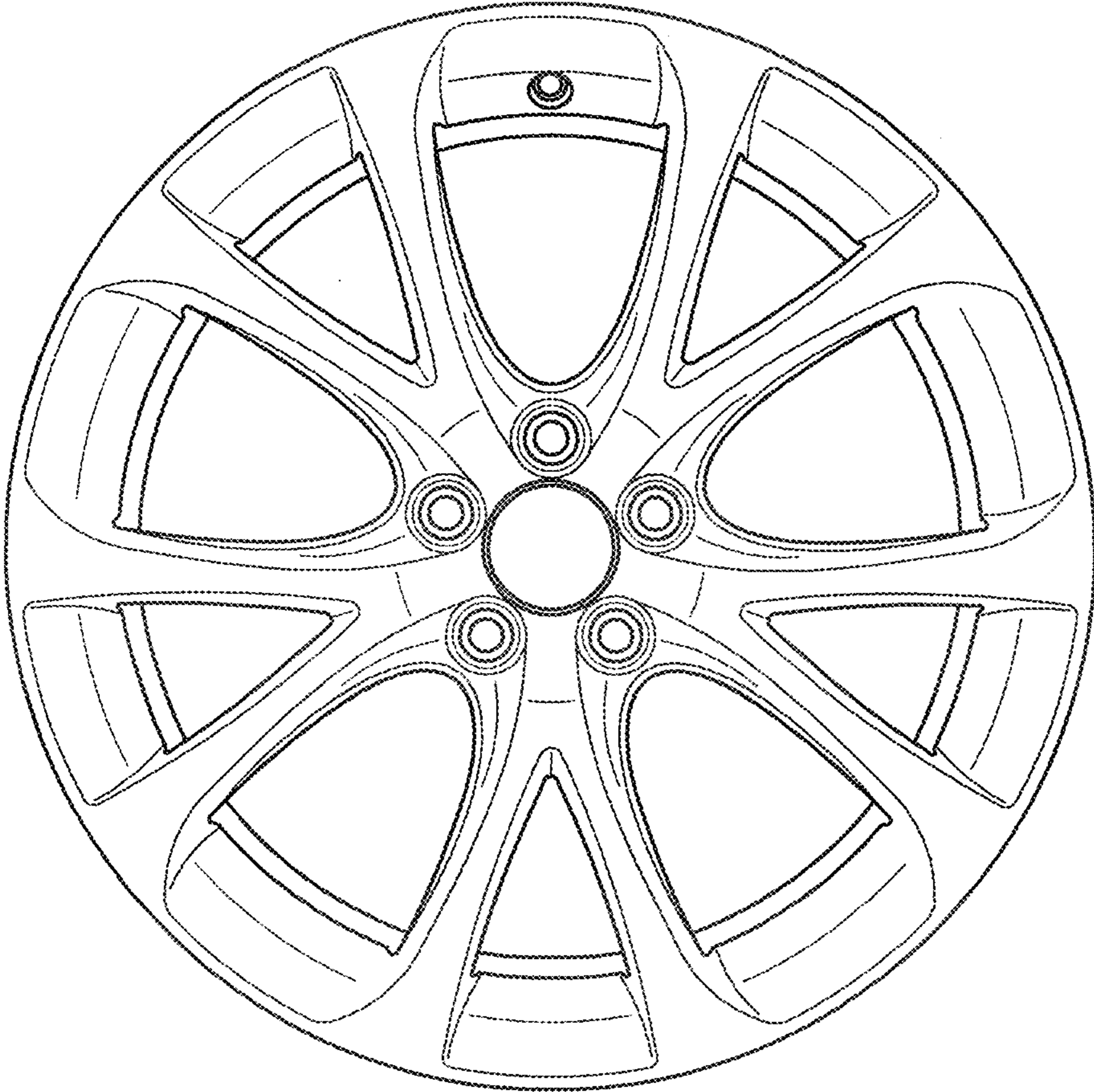


Fig. 2