



US00D721019S

(12) **United States Design Patent**  
**Pevovar et al.**

(10) **Patent No.:** **US D721,019 S**  
(45) **Date of Patent:** **\*\* Jan. 13, 2015**

(54) **LOWER MAIN GRILLE**

(56) **References Cited**

(71) Applicant: **GM Global Technology Operations LLC**, Detroit, MI (US)

(72) Inventors: **Michael J. Pevovar**, Northville Township, MI (US); **Jong Hyuk Park**, Troy, MI (US); **Takahiko Sugino**shita, Rochester Hills, MI (US)

(73) Assignee: **GM Global Technology Operations LLC**, Detroit, MI (US)

(\*\*) Term: **14 Years**

(21) Appl. No.: **29/472,917**

(22) Filed: **Nov. 18, 2013**

(51) **LOC (10) Cl.** ..... **12-16**

(52) **U.S. Cl.**  
USPC ..... **D12/163**

(58) **Field of Classification Search**  
USPC ..... D12/163, 196, 86, 90-92, 171, 169,  
D12/216; 180/68.1, 68.6; 293/193.11

See application file for complete search history.

U.S. PATENT DOCUMENTS

D575,687 S *	8/2008	Hatake .....	D12/163
D575,688 S *	8/2008	Miyata et al. ....	D12/163
D575,689 S *	8/2008	Chang et al. ....	D12/163
D592,564 S *	5/2009	Kusamoto et al. ....	D12/163
D598,819 S *	8/2009	Kim .....	D12/163
D679,225 S *	4/2013	Gifford .....	D12/163
D680,921 S *	4/2013	Jara .....	D12/163
D687,354 S *	8/2013	Hildebrand et al. ....	D12/163
D692,804 S *	11/2013	Song et al. ....	D12/163
D695,159 S *	12/2013	Hildebrand et al. ....	D12/163
D708,991 S *	7/2014	Matsuno et al. ....	D12/163

\* cited by examiner

*Primary Examiner* — Melody Brown

(74) *Attorney, Agent, or Firm* — Mickki D. Murray; Parks Wood LLC

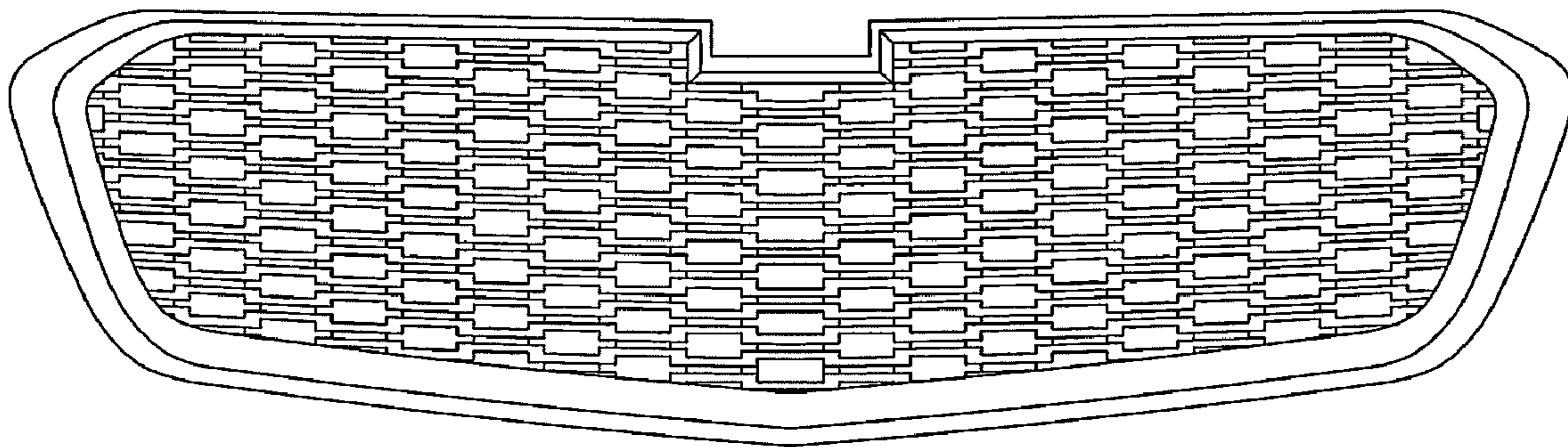
(57) **CLAIM**

The ornamental design for an lower main grille, as shown and described.

**DESCRIPTION**

FIG. 1 is perspective view of the lower main grille showing the new design; FIG. 2 is a side view, thereof; and, FIG. 3 is a front view, thereof. In the figures, features shown by broken lines are for illustrative purposes only and form no part of the claimed design.

**1 Claim, 1 Drawing Sheet**



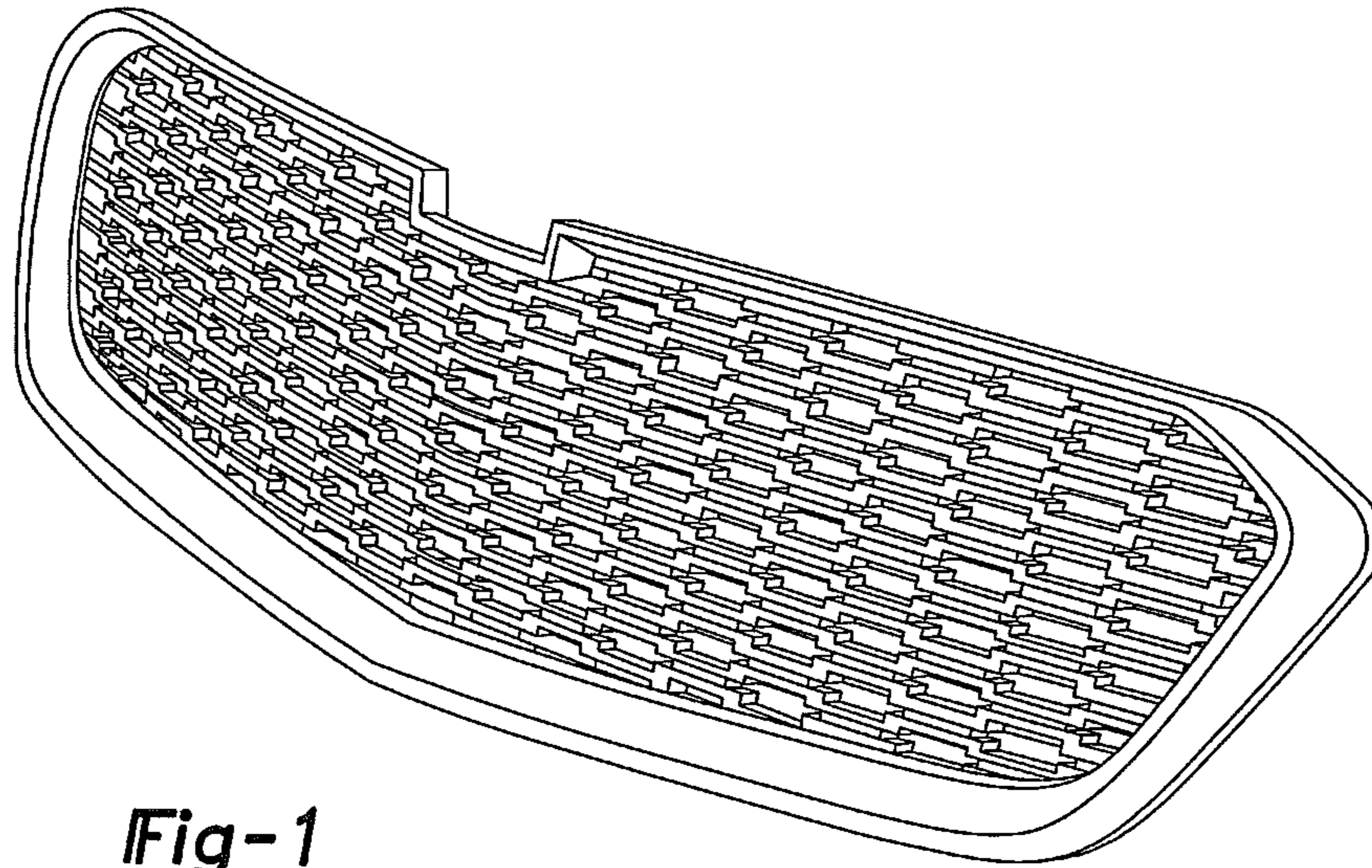


Fig-1

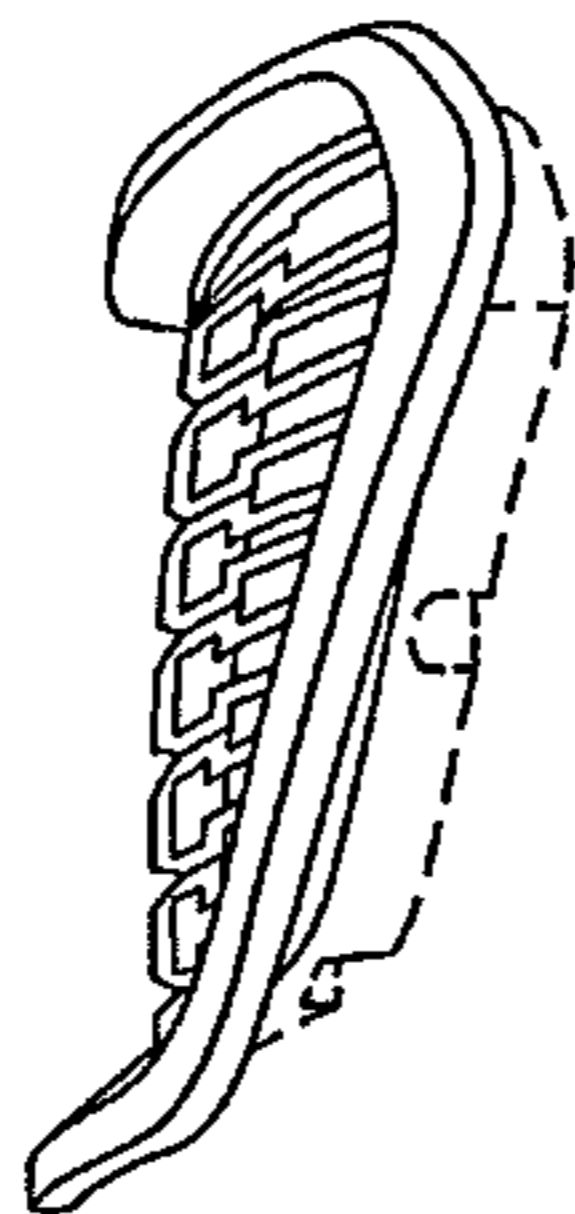


Fig-2

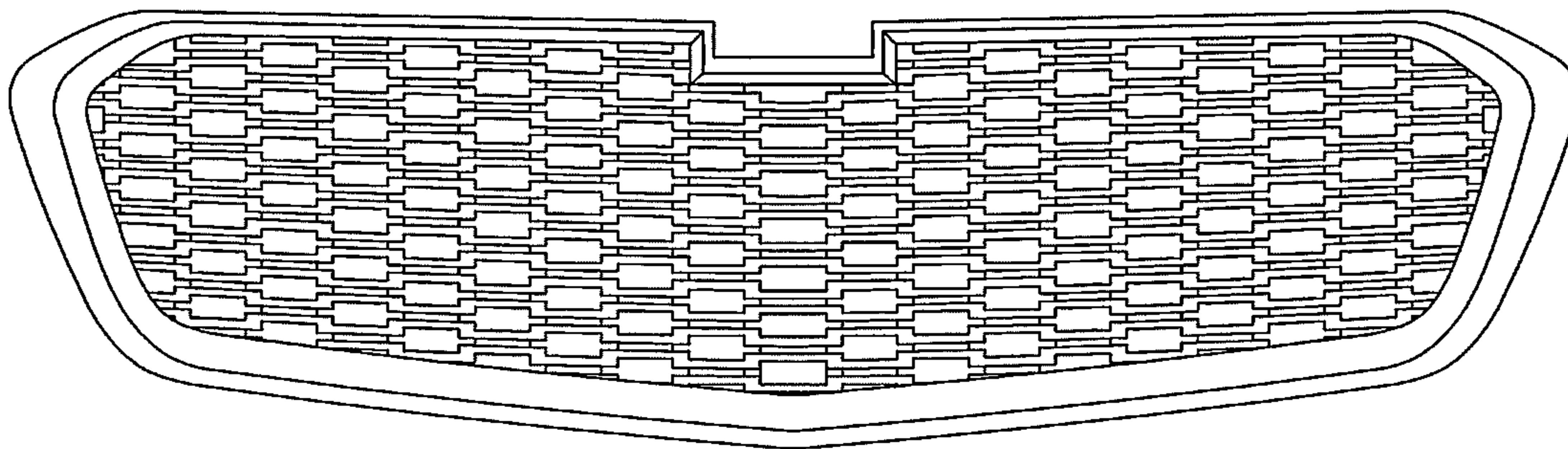


Fig-3