



US00D721017S

(12) **United States Design Patent**  
**Spalding et al.**

(10) **Patent No.:** **US D721,017 S**

(45) **Date of Patent:** **\*\* Jan. 13, 2015**

(54) **WHEELCHAIR FRAME**  
(75) Inventors: **Joseph Spalding**, Akron, OH (US);  
**Damon Jurkiewicz**, Cleveland, OH  
(US); **Daniel James Yee**, Parma, OH  
(US); **Traian Mohan**, Parma, OH (US)

4,961,610 A 10/1990 Reeder et al.  
5,018,788 A 5/1991 Cedergreen  
5,033,792 A 7/1991 Kanazawa  
D333,737 S 3/1993 Adams  
5,275,466 A 1/1994 Rentchler, Jr.  
D365,787 S 1/1996 Peterson et al.  
D380,991 S 7/1997 Deming  
5,820,221 A 10/1998 Greaves et al.

(73) Assignee: **Invacare Corp.**, Elyria, OH (US)

(Continued)

(\*\*) Term: **14 Years**

**FOREIGN PATENT DOCUMENTS**

(21) Appl. No.: **29/412,493**

FR 2845893 4/2004  
WO 97/46516 12/1997

(22) Filed: **Feb. 3, 2012**

**OTHER PUBLICATIONS**

**Related U.S. Application Data**

International Search Report and Written Opinion from PCT/US11/  
28626 dated May 20, 2011.

(62) Division of application No. 29/378,840, filed on Nov.  
10, 2010, now Pat. No. Des. 654,408.

(Continued)

(51) **LOC (10) Cl.** ..... **12-12**

(52) **U.S. Cl.**  
USPC ..... **D12/133**

(58) **Field of Classification Search**  
USPC ..... D12/128-133; 280/62, 647-650, 29,  
280/200, 47.38, 250.1, 259, 642, 658;  
296/65.03, 65.04; 224/409; 297/362,  
297/374, 378.12, 378.14, 411.38; 74/530;  
180/65.1; 16/360

See application file for complete search history.

*Primary Examiner* — Ian Simmons  
*Assistant Examiner* — Charles Hanson  
(74) *Attorney, Agent, or Firm* — Calfee, Halter & Griswold  
LLP

(57) **CLAIM**  
The ornamental design for a wheelchair frame, as shown and  
described.

(56) **References Cited**

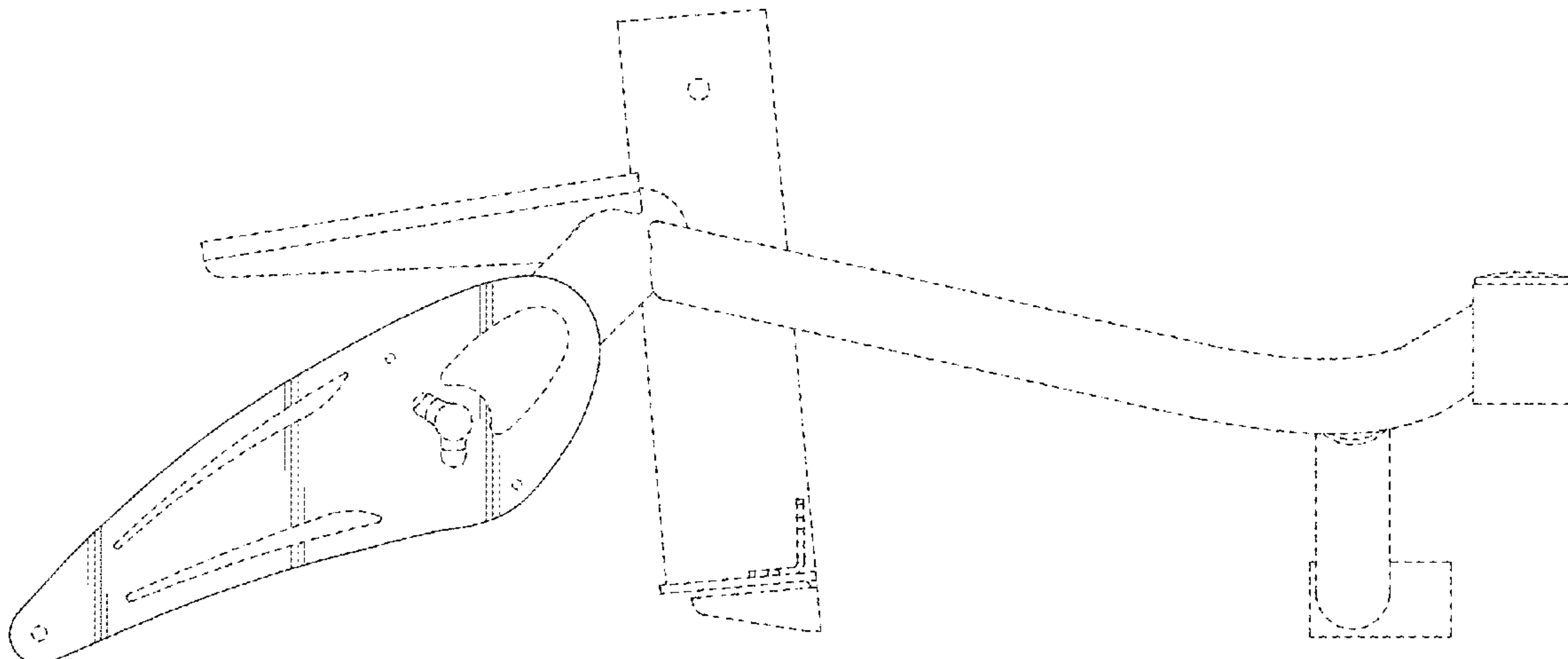
**U.S. PATENT DOCUMENTS**

D16,363 S 11/1885 Maris  
D16,467 S 1/1886 Maris  
D231,801 S 6/1974 Pivacek  
3,865,427 A 2/1975 Delany  
4,025,112 A 5/1977 Hale  
4,097,088 A \* 6/1978 Meiller ..... 297/411.38  
4,219,234 A \* 8/1980 Bell ..... 297/374  
4,457,557 A \* 7/1984 Une ..... 297/362

**DESCRIPTION**

FIG. 1 is a perspective view of a wheelchair frame;  
FIG. 2 is a front view of the wheelchair frame of FIG. 1;  
FIG. 3 is a rear view of the wheelchair frame of FIG. 1;  
FIG. 4 is a top view of the wheelchair frame of FIG. 1;  
FIG. 5 is a bottom view of the wheelchair frame of FIG. 1;  
FIG. 6 is a right side view of the wheelchair frame of FIG. 1;  
and,  
FIG. 7 is a left side view of the wheelchair frame of FIG. 1.

**1 Claim, 5 Drawing Sheets**



(56)

References Cited

U.S. PATENT DOCUMENTS

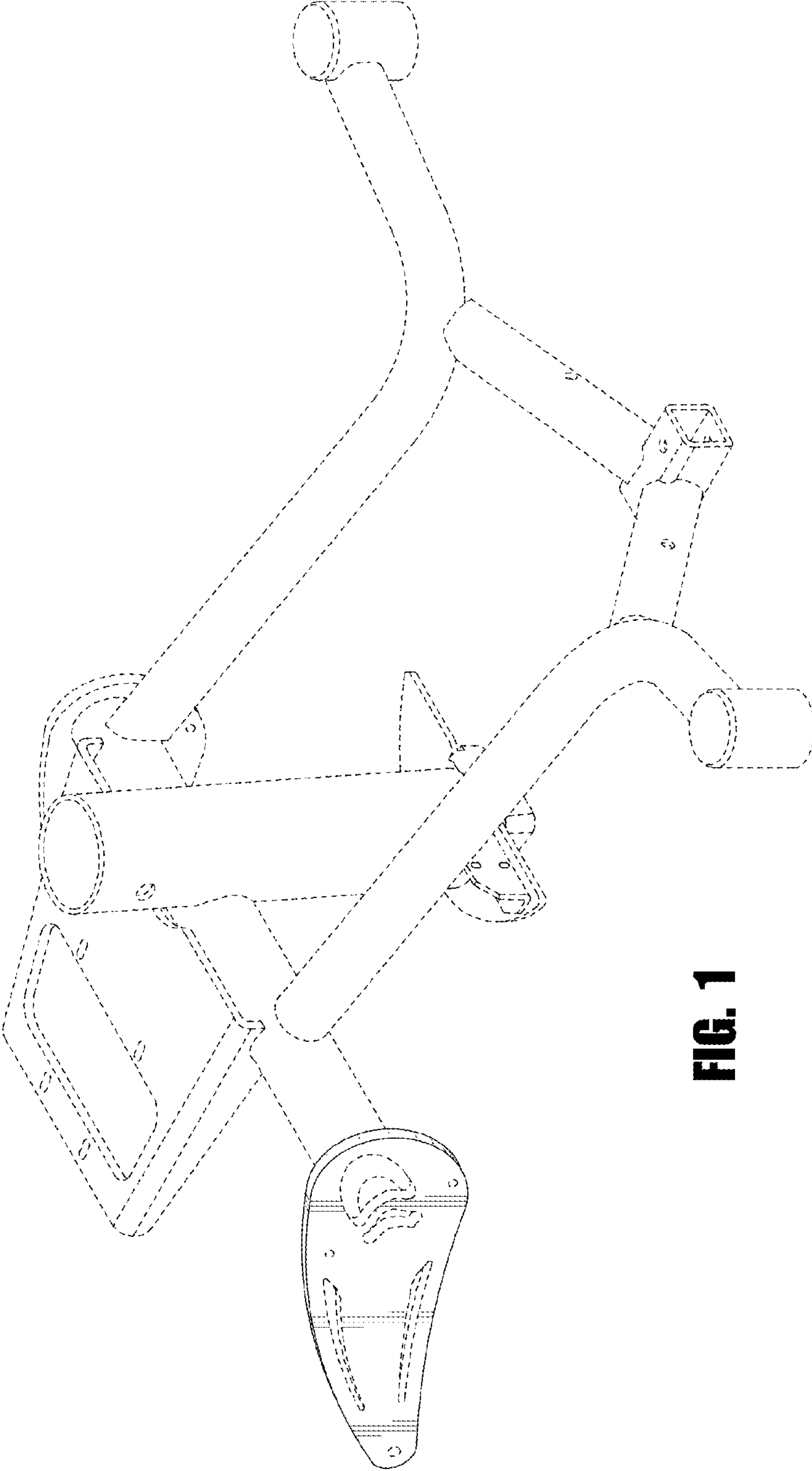
D414,453 S 9/1999 Tsai  
 6,003,891 A 12/1999 Broadhead  
 6,015,190 A 1/2000 Wend  
 6,023,994 A \* 2/2000 Yoshida ..... 74/530  
 6,312,000 B1 11/2001 Pauls et al.  
 6,352,273 B1 3/2002 Dickie  
 6,353,970 B1 \* 3/2002 Spaeth ..... 16/360  
 6,386,638 B1 5/2002 Strauch  
 D462,639 S 9/2002 Lin  
 6,459,962 B2 10/2002 Ulrich et al.  
 D468,669 S 1/2003 Hopely, Jr.  
 D477,261 S 7/2003 Lin  
 6,669,299 B2 12/2003 Carlson et al.  
 D486,762 S 2/2004 He  
 D491,115 S 6/2004 Taylor  
 D491,494 S 6/2004 Lippert  
 D494,110 S 8/2004 Cheng  
 6,938,923 B2 9/2005 Mulhern et al.  
 7,025,422 B2 \* 4/2006 Fast ..... 297/378.14  
 D521,909 S 5/2006 Gillett et al.  
 7,040,429 B2 5/2006 Molnar  
 D523,788 S 6/2006 Jones et al.  
 D524,196 S 7/2006 You  
 D529,844 S 10/2006 Chen et al.  
 D536,187 S 2/2007 Goebert et al.  
 D536,887 S 2/2007 Goebert et al.  
 D540,221 S 4/2007 Cartellone et al.  
 7,204,556 B2 4/2007 Schwerdtner et al.  
 7,229,132 B2 6/2007 Meeker et al.  
 7,273,118 B2 9/2007 Huang  
 D559,741 S 1/2008 Lasher, III  
 D569,769 S 5/2008 Chiu et al.  
 7,370,876 B2 5/2008 Hsu et al.  
 7,387,340 B2 \* 6/2008 Wilkening ..... 297/378.12  
 7,413,045 B2 8/2008 Tien  
 7,472,959 B1 1/2009 Ratza et al.  
 D585,794 S 2/2009 Lin  
 D589,411 S 3/2009 Brown et al.  
 D590,304 S 4/2009 Kruse  
 D602,405 S 10/2009 Skafdrup et al.  
 D608,550 S 1/2010 Sollberger et al.  
 D614,541 S 4/2010 Storm  
 7,694,991 B2 4/2010 Mills et al.  
 D615,461 S 5/2010 Storm

7,828,310 B2 11/2010 Vreeswijk et al.  
 D632,229 S 2/2011 Kruse  
 D642,499 S 8/2011 Tuckowski et al.  
 D642,500 S 8/2011 Tuckowski et al.  
 D652,357 S 1/2012 Jurkiewicz et al.  
 D653,176 S 1/2012 Jurkiewicz et al.  
 D654,408 S 2/2012 Spalding et al.  
 D656,070 S 3/2012 Spalding et al.  
 D667,349 S 9/2012 Jurkiewicz et al.  
 D667,761 S 9/2012 Jurkiewicz et al.  
 D689,412 S 9/2013 Mohan et al.  
 D689,413 S \* 9/2013 Mohan et al. .... D12/133  
 8,727,048 B2 \* 5/2014 Jurkiewicz et al. .... 180/65.1  
 2001/0013437 A1 8/2001 Husted et al.  
 2003/0056329 A1 3/2003 Coman et al.  
 2004/0239169 A1 12/2004 De Nichilo  
 2006/0082098 A1 4/2006 Harris  
 2007/0107963 A1 5/2007 Chiu  
 2007/0195081 A1 8/2007 Fischer  
 2008/0087481 A1 4/2008 Grymko et al.  
 2012/0325575 A1 12/2012 Jurkiewicz

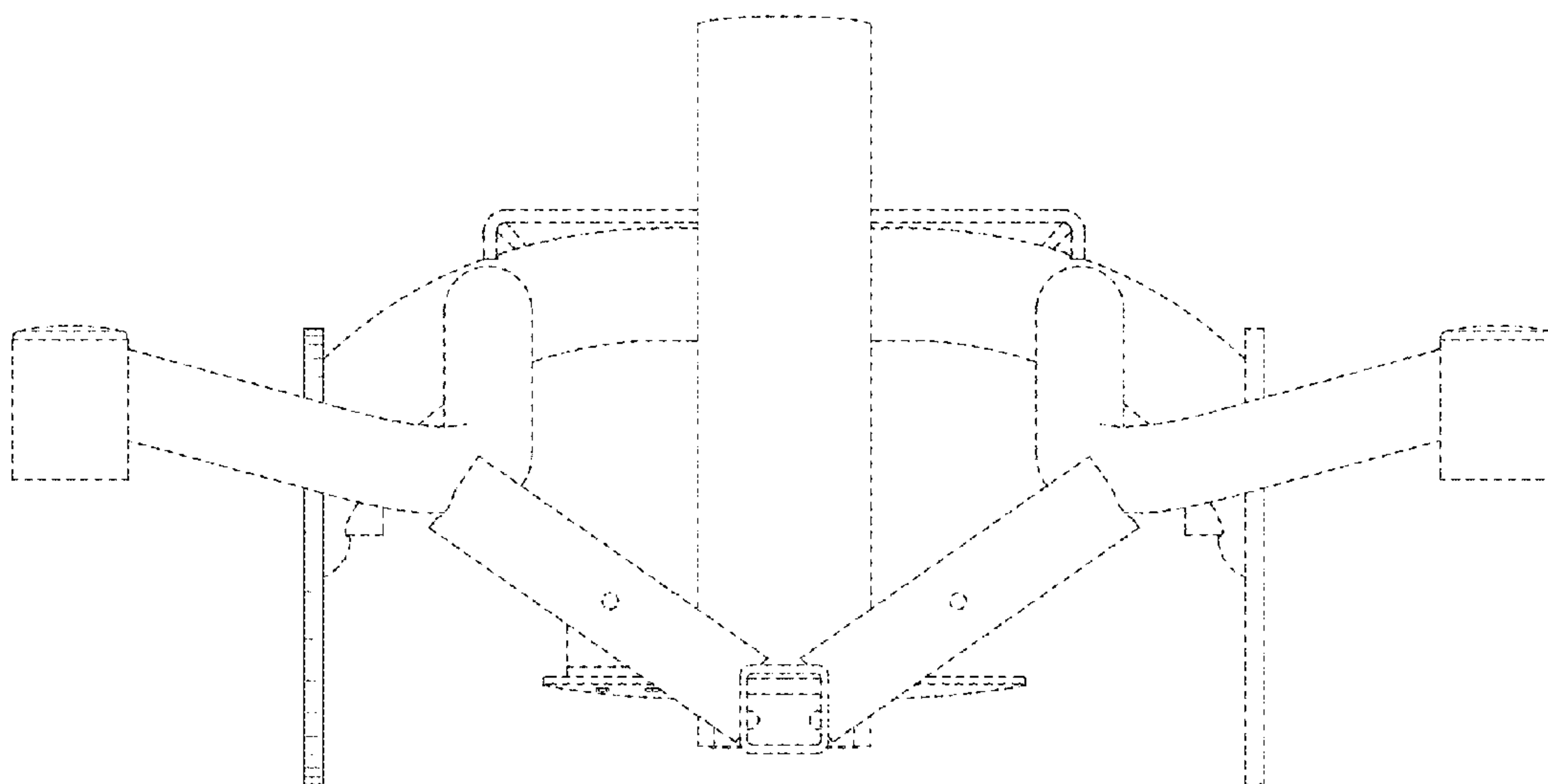
OTHER PUBLICATIONS

Invacare Corporation, Operator and Maintenance Manual, Pronto M51 and M6I with SureStep, 80 pgs., Rev J—Oct. 2008, copyright 2008.  
 Invacare Corporation, User Manual, FDX Power Wheelchair Base FDX, FDX-CG, FDX-MCG, 96 pgs., Rev A—Apr. 2010, copyright 2010.  
 Invacare Corporation, product Catalog, copyright 2004, printed Feb. 18, 2011, 14 pgs.  
 Invacare Corporation, At'm (Take Along Chair), 2 page brochure, copyright 2009.  
 Invacare Corporation, FDX Front-Wheel Drive Power Wheelchair, 4 page brochure, copyright 2010.  
 Invacare Corporation, Nutron R51, 2 page brochure, copyright 2006.  
 Invacare Corporation, P9000 XDT, 2 page brochure, copyright 2007.  
 Invacare Corporation, Pronto M51, 4 page brochure, copyright 2010.  
 Invacare Corporation, Pronto M51 with Formula CG Seating, 2 page web printout, printed Feb. 18, 2011.  
 Invacare Corporation, The New TDX Family, 25 page brochure, copyright 2008.  
 Invacare Corporation, Storm Series, 16 page brochure, copyright 2010.

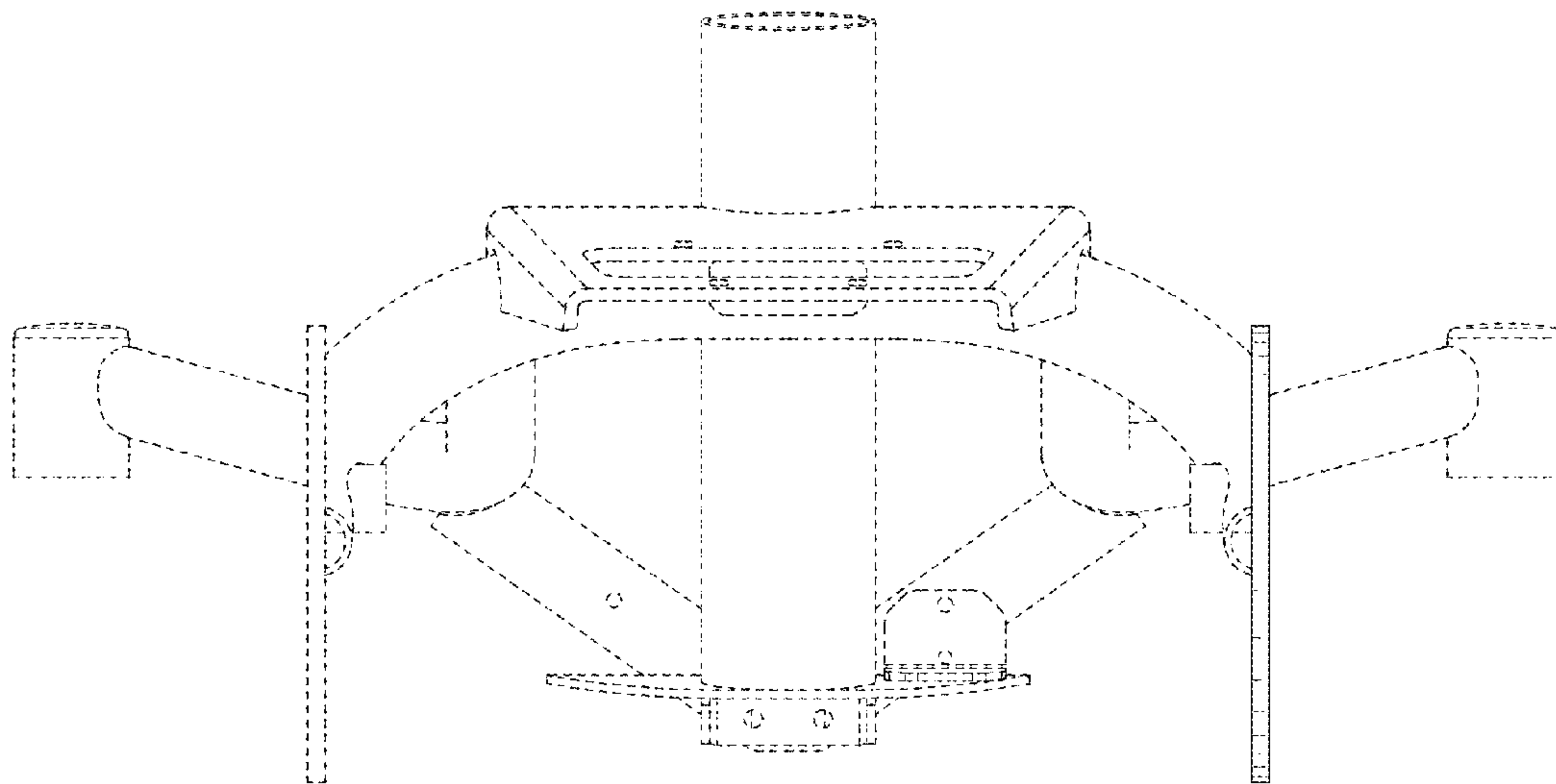
\* cited by examiner



**FIG. 1**

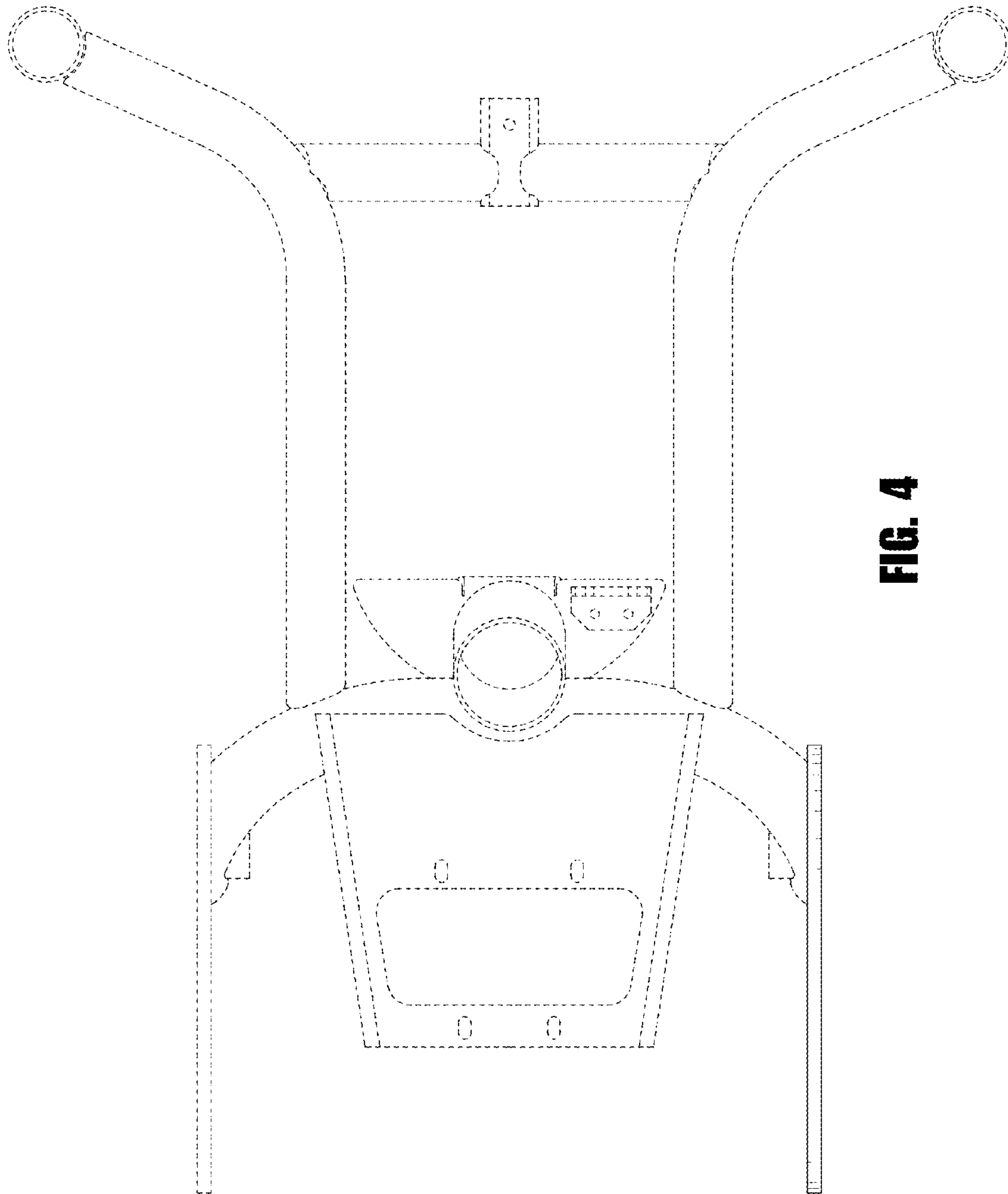


**FIG. 2**

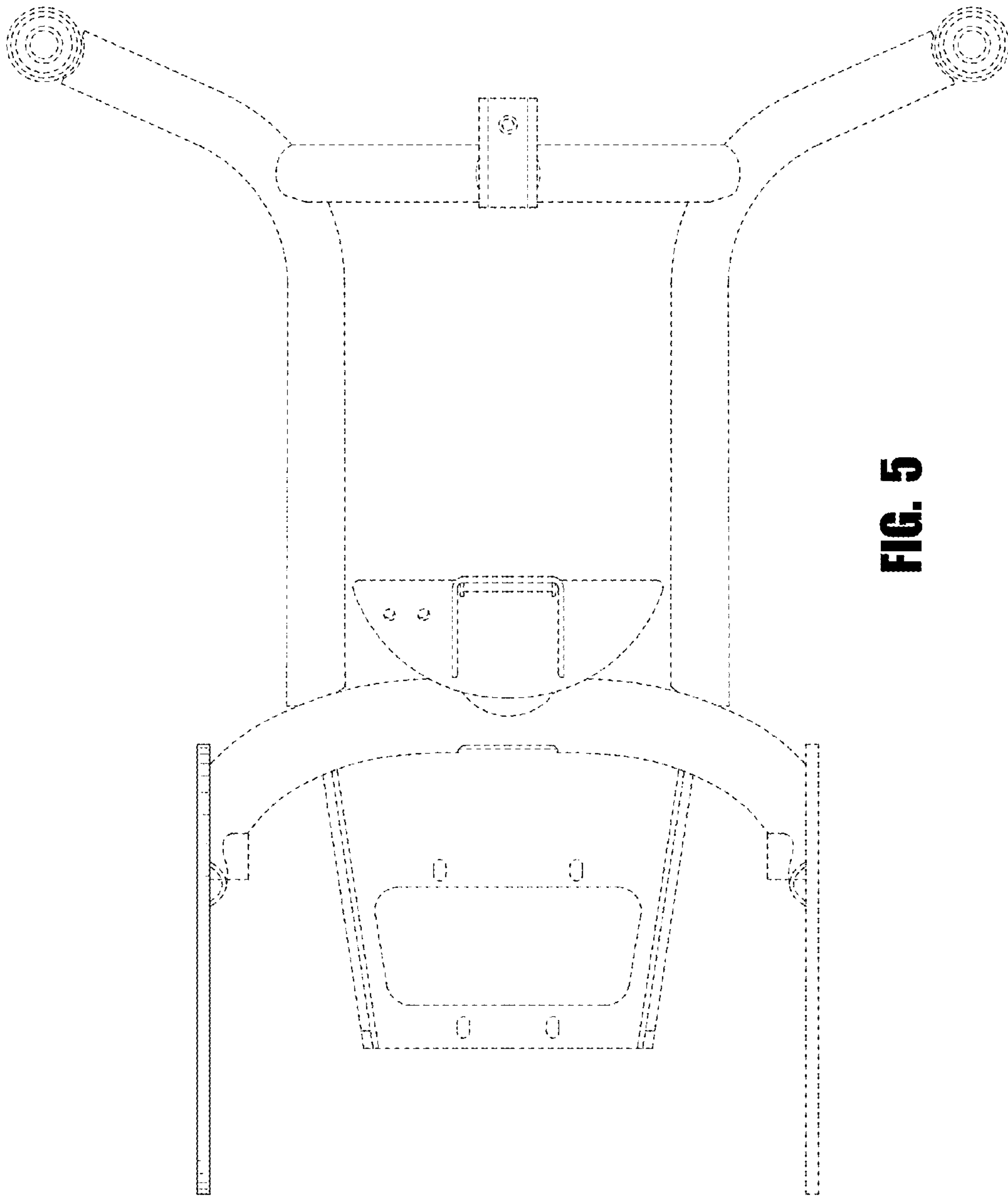


**FIG. 3**

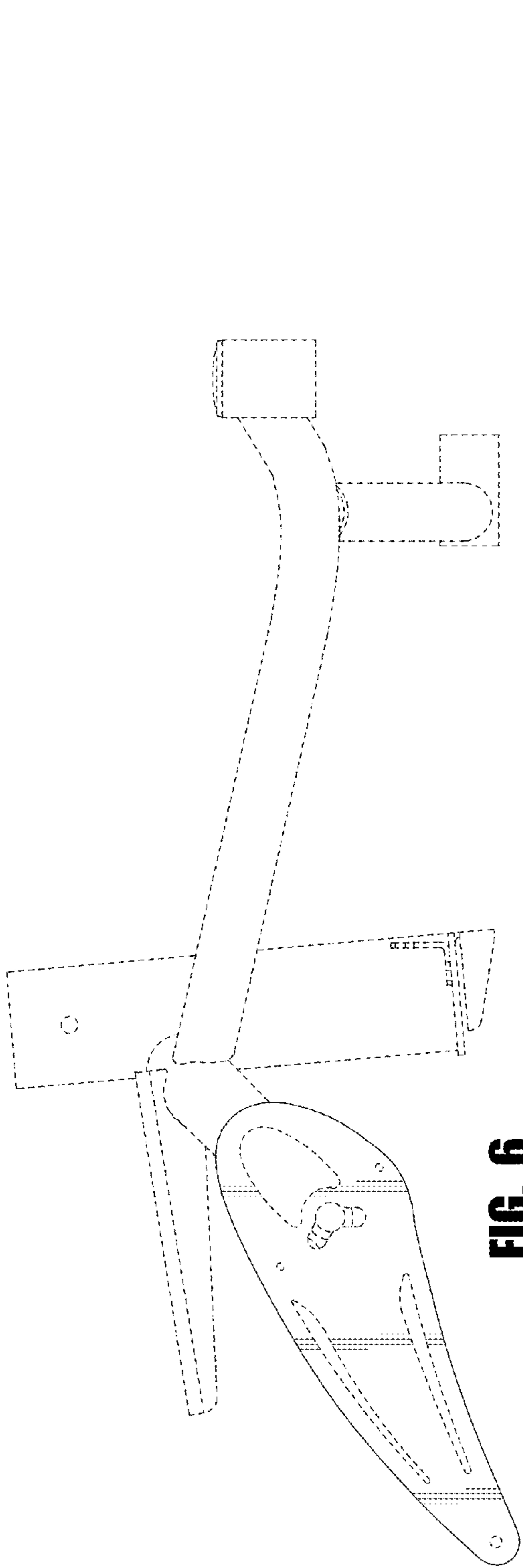




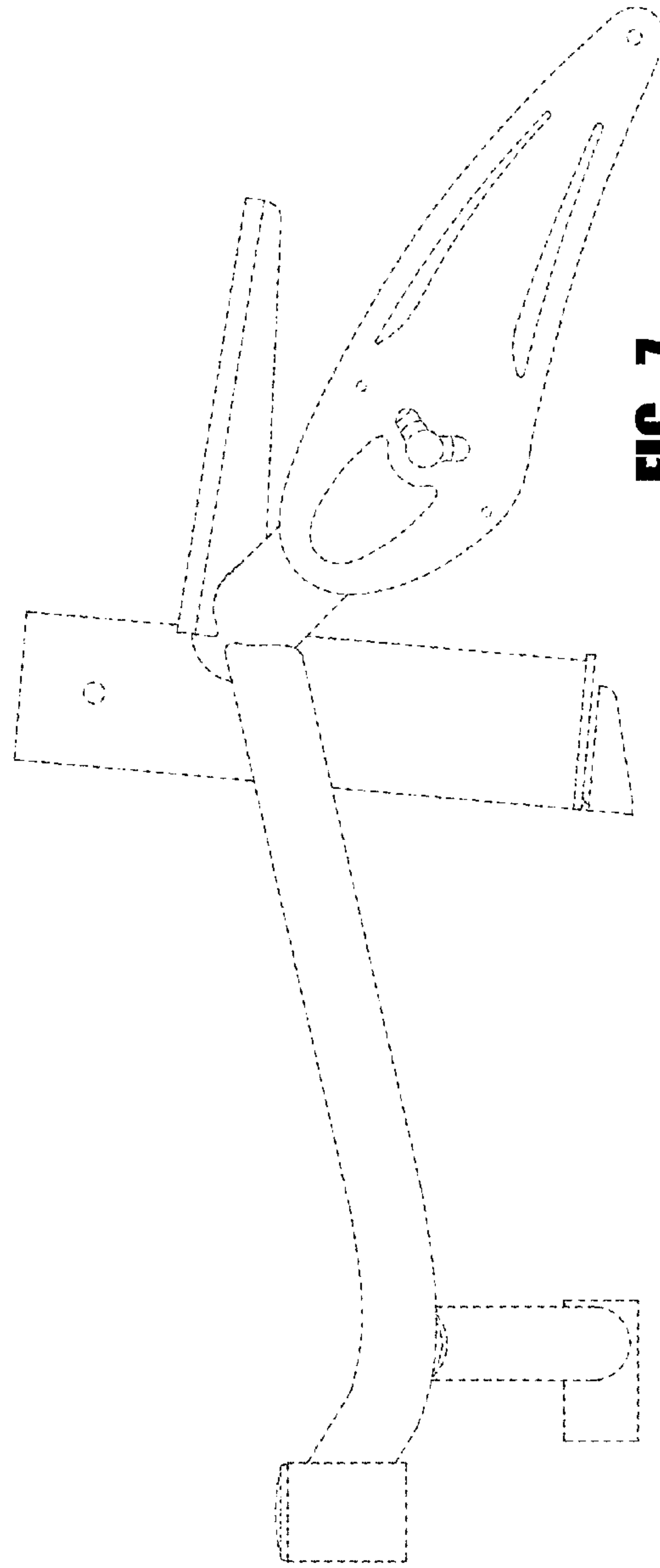
**FIG. 4**



**FIG. 5**



**FIG. 6**



**FIG. 7**