



US00D721016S

(12) **United States Design Patent**
Harding

(10) **Patent No.:** **US D721,016 S**

(45) **Date of Patent:** **** Jan. 13, 2015**

(54) **SPORTS WHEELCHAIR**
(71) Applicant: **VRD Products, Inc.**, Arlington, TX
(US)
(72) Inventor: **William V Harding**, Arlington, TX (US)

6,032,975 A * 3/2000 Hanson et al. 280/647
6,419,253 B1 * 7/2002 Mascari 280/250.1
6,612,645 B1 * 9/2003 Hsu 297/195.13
D498,183 S * 11/2004 Nelson et al. D12/128
D598,680 S * 8/2009 Birk D6/500
D654,407 S * 2/2012 Zanderlehn et al. D12/131
D699,161 S * 2/2014 Yang D12/133

(73) Assignee: **VRD Products, Inc.**, Arlington, TX
(US)

* cited by examiner

(**) Term: **14 Years**

Primary Examiner — Ian Simmons

Assistant Examiner — Charles Hanson

(21) Appl. No.: **29/476,082**

(74) *Attorney, Agent, or Firm* — John R. Schell

(22) Filed: **Dec. 10, 2013**

(57) **CLAIM**

The ornamental design for a sports wheelchair, as shown and described.

(51) **LOC (10) Cl.** **12-12**

DESCRIPTION

(52) **U.S. Cl.**
USPC **D12/131**

(58) **Field of Classification Search**
USPC D12/128-133; 280/62, 647-650, 29,
280/200, 47.38, 250.1, 259, 642, 658,
280/304.1; 128/99.1, 100.1, 102.1, 876,
128/877; D6/500; 297/195.13
See application file for complete search history.

FIG. 1 is a perspective view of a sports wheelchair showing my new design;
FIG. 2 is a side view thereof;
FIG. 3 is a front view thereof;
FIG. 4 is a further perspective view thereof;
FIG. 5 is a further perspective view thereof;
FIG. 6 is a side view thereof;
FIG. 7 is a front view thereof;
FIG. 8 is a back view thereof; and,
FIG. 9 is a top plan view thereof.

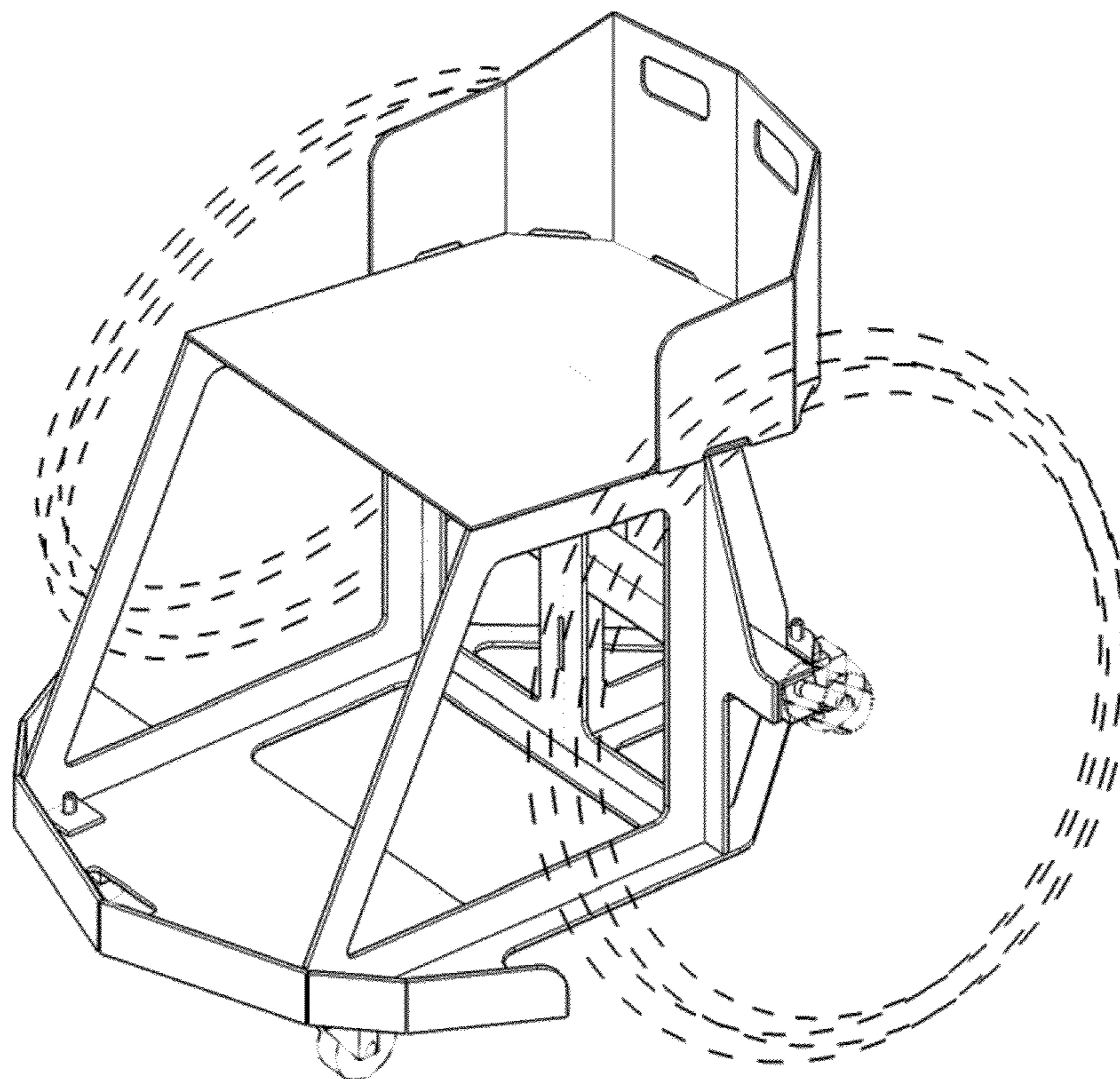
The broken line showing of the wheels in FIGS. 1-3 is included for the purpose of illustrating environment and forms no part of the claimed design.

(56) **References Cited**

U.S. PATENT DOCUMENTS

5,267,745 A * 12/1993 Robertson et al. 280/250.1
D359,260 S * 6/1995 Shriver D12/131
D365,786 S * 1/1996 Peterson D12/131

1 Claim, 9 Drawing Sheets



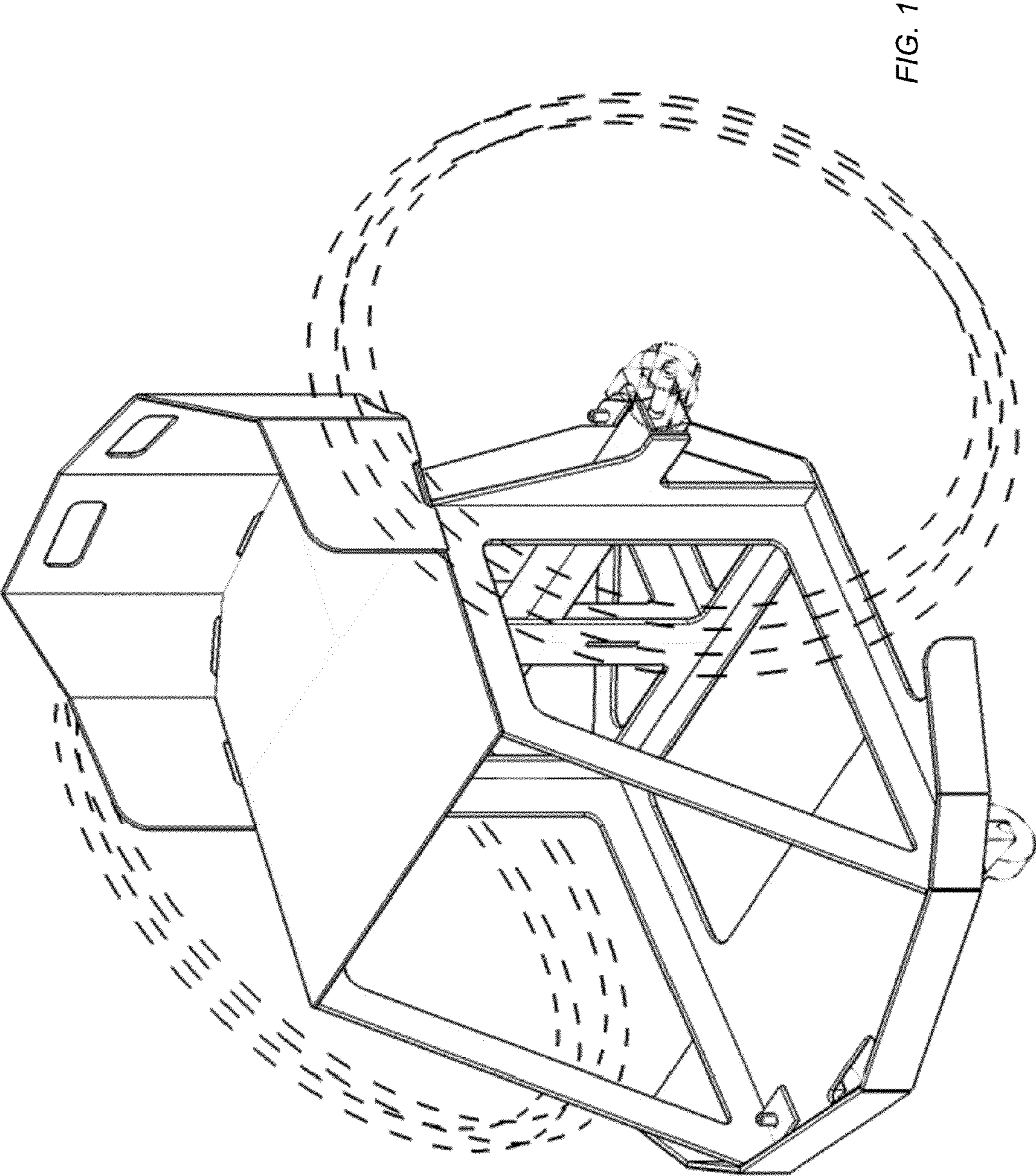


FIG. 1

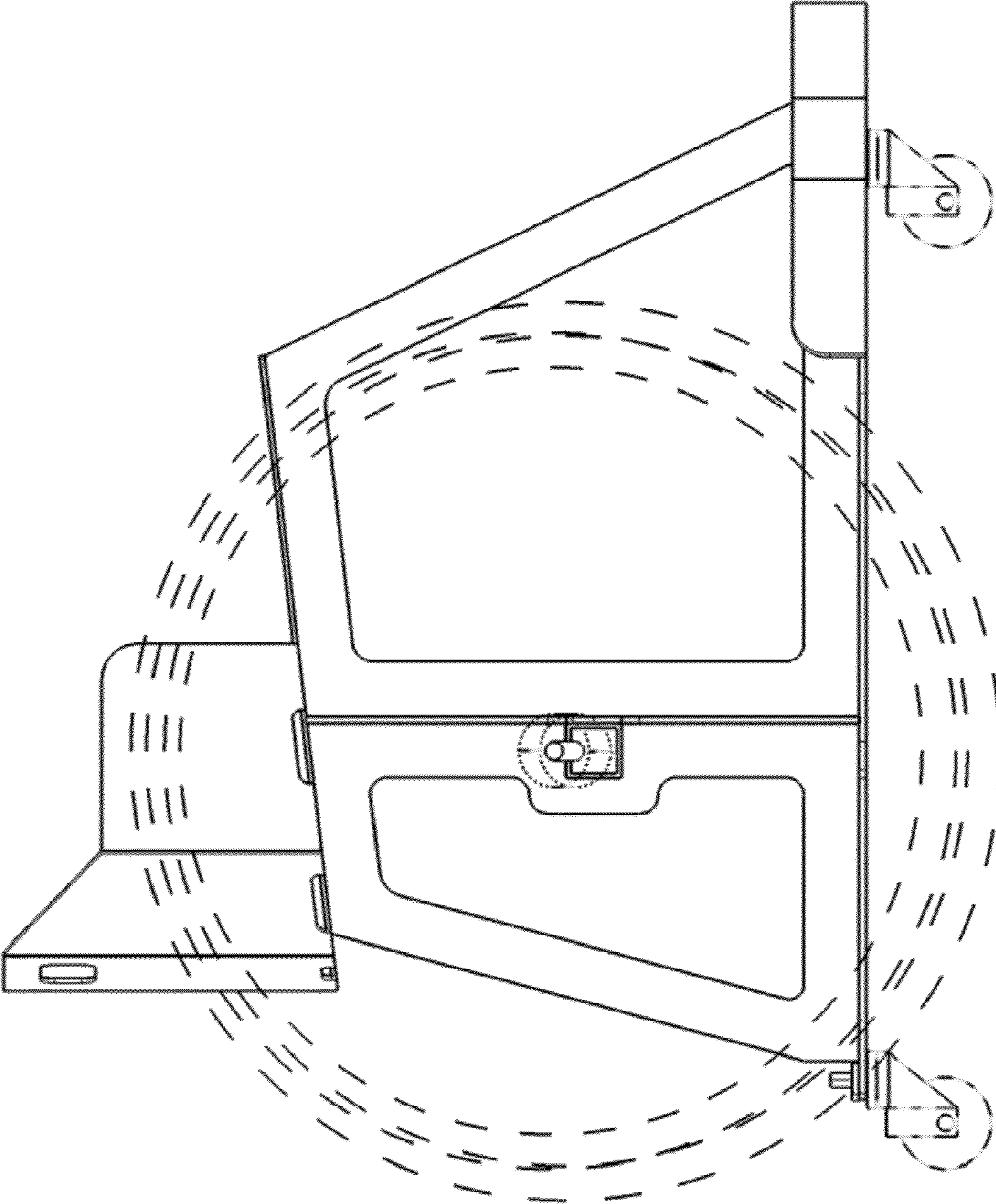
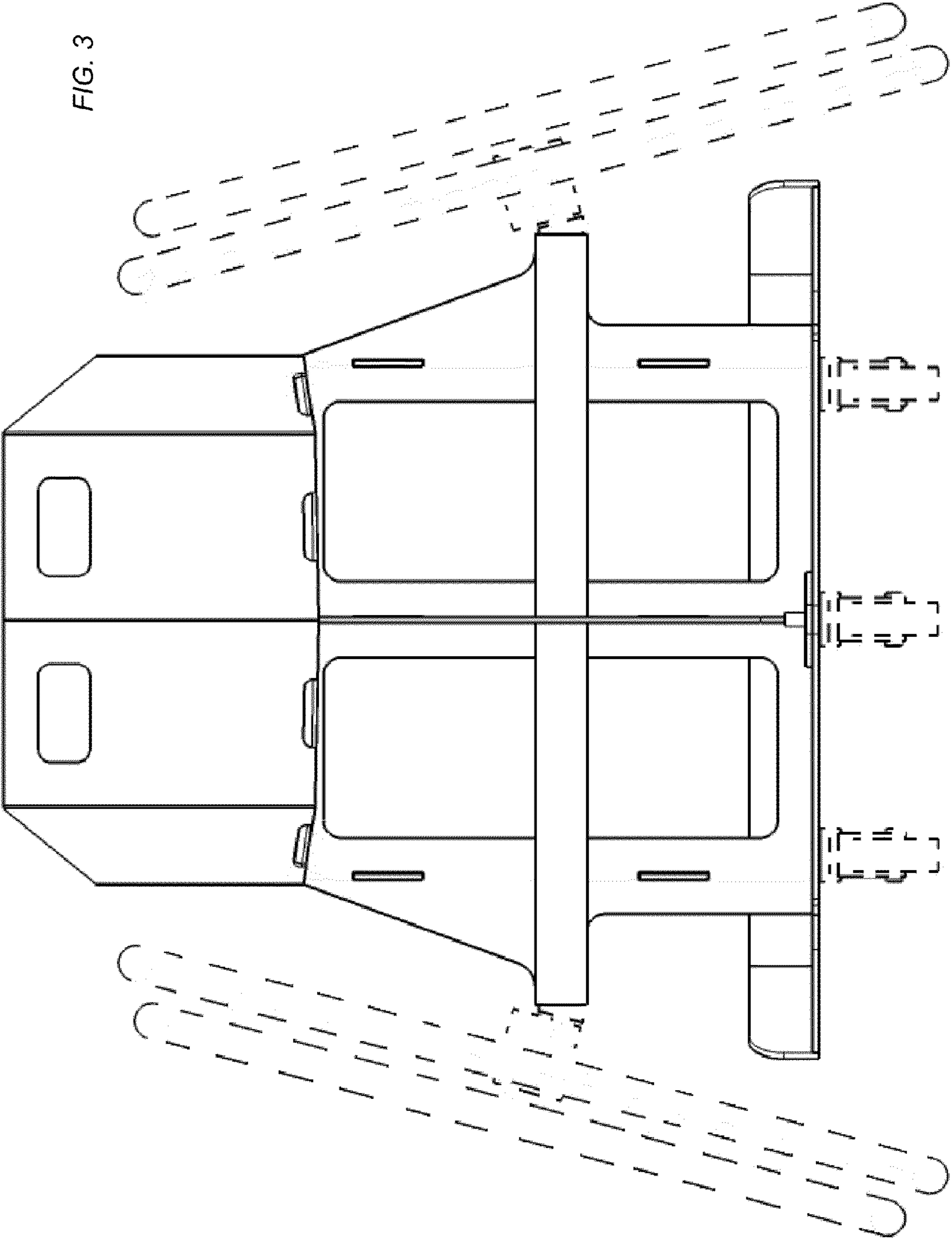


FIG. 2

FIG. 3



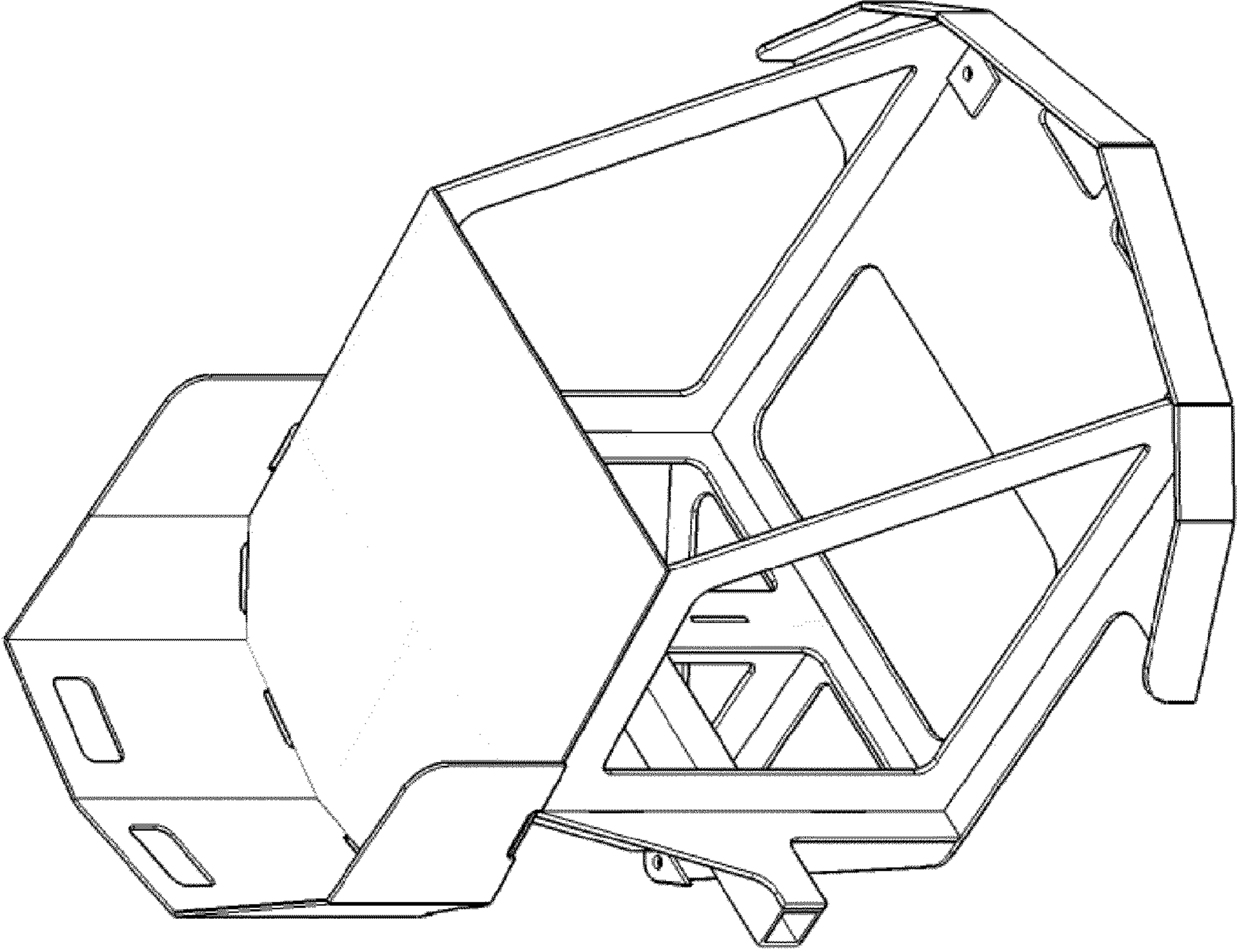


FIG. 4

FIG. 5

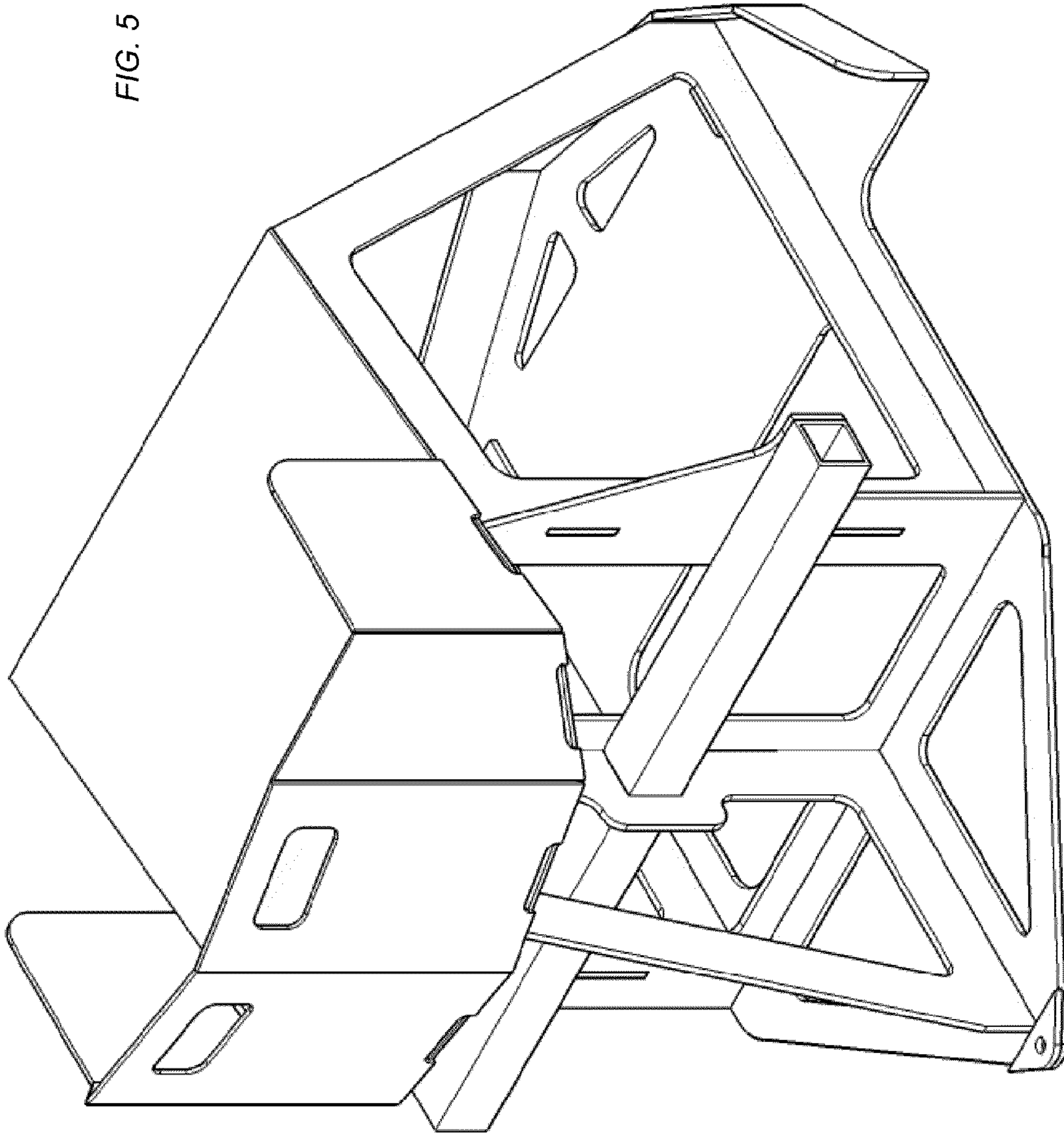


FIG. 6

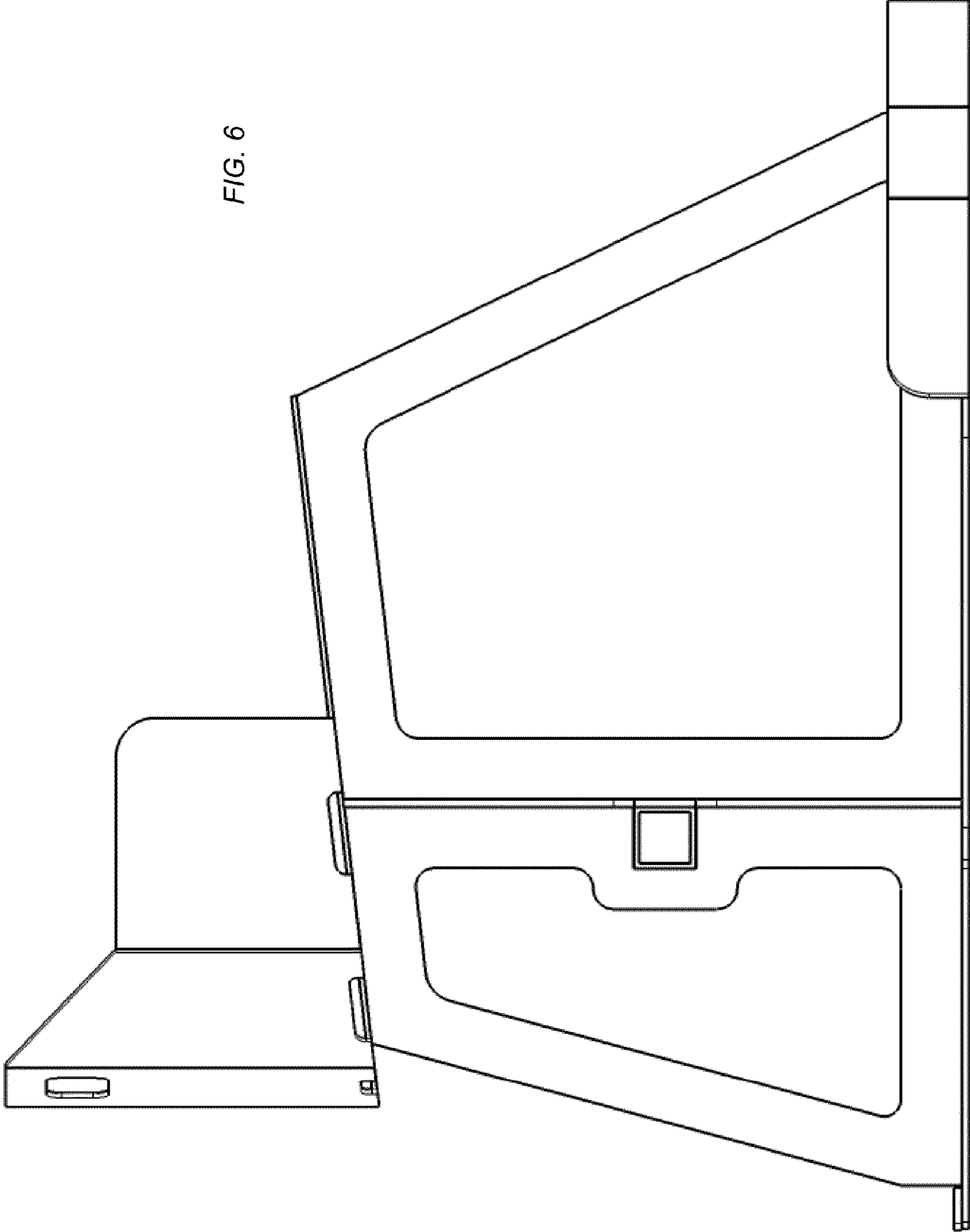


FIG. 7

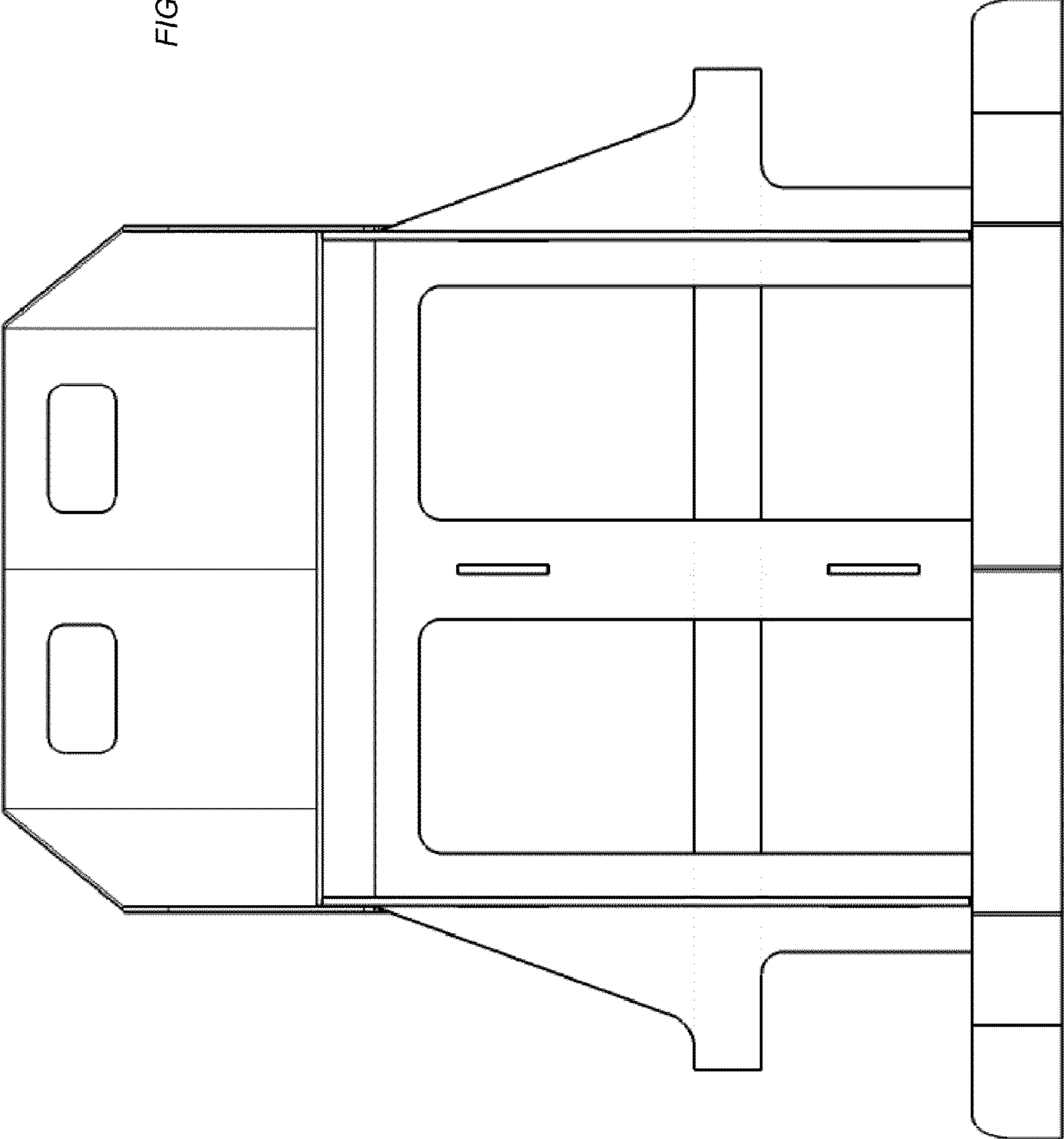
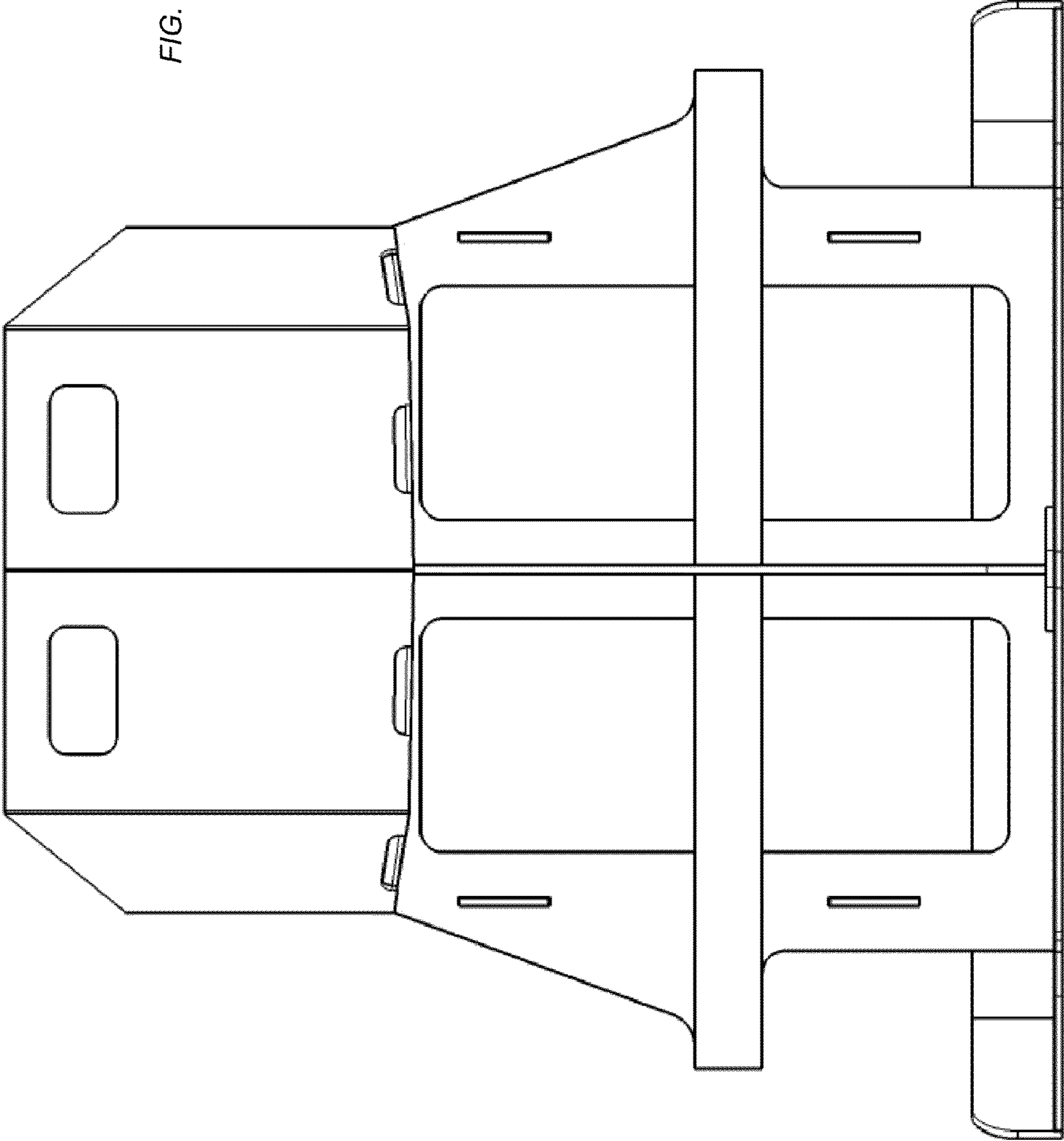


FIG. 8



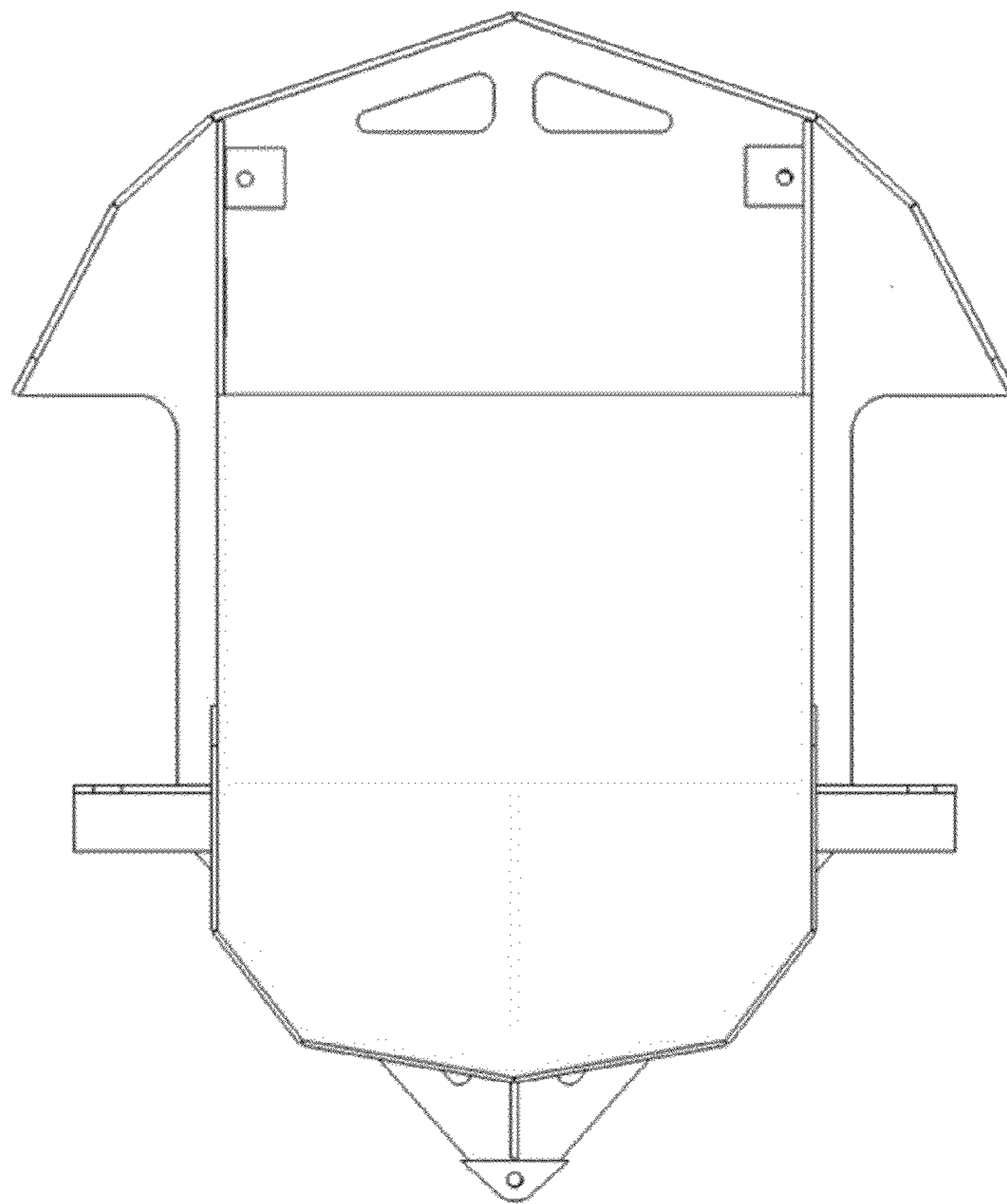


FIG. 9