



US00D721015S

(12) **United States Design Patent**  
**Bassan**

(10) **Patent No.:** **US D721,015 S**  
(45) **Date of Patent:** **\*\* Jan. 13, 2015**

(54) **BABY STROLLER**

(71) Applicant: **Artsana S.p.A.**, Grandate (IT)

(72) Inventor: **Matteo Bassan**, Grandate (IT)

(73) Assignee: **Artsana S.p.A.**, Grandate (Como) (IT)

(\*\*) Term: **14 Years**

(21) Appl. No.: **29/479,497**

(22) Filed: **Jan. 16, 2014**

(30) **Foreign Application Priority Data**

Sep. 18, 2013 (EM) ..... 002311423

(51) **LOC (10) Cl.** ..... **12-12**

(52) **U.S. Cl.**  
USPC ..... **D12/129**

(58) **Field of Classification Search**  
USPC ..... D12/128-133; 280/62, 647-650, 29,  
280/200, 47.38, 250.1, 259, 642, 658,  
280/304.1; 128/99.1, 100.1  
See application file for complete search history.

(56) **References Cited**

**U.S. PATENT DOCUMENTS**

D375,707 S \* 11/1996 Yang ..... D12/129  
6,513,827 B1 2/2003 Barenbrug  
D519,422 S \* 4/2006 Huang ..... D12/129

7,267,359 B1 \* 9/2007 Yang et al. .... 280/642  
7,364,171 B2 \* 4/2008 Hu ..... 280/47.38  
D572,175 S 7/2008 Lai  
D578,044 S \* 10/2008 Chen et al. .... D12/129  
D585,336 S 1/2009 Van Buul et al.  
D596,996 S \* 7/2009 Yang ..... D12/129  
D616,339 S 5/2010 Kho et al.  
7,753,398 B2 7/2010 Yang  
D621,306 S \* 8/2010 Liao ..... D12/129  
D643,343 S \* 8/2011 Song ..... D12/129  
D654,831 S 2/2012 Pedretti et al.  
D661,624 S \* 6/2012 Stopp ..... D12/129  
D672,692 S \* 12/2012 Jane Santamaria ..... D12/129  
D677,605 S \* 3/2013 Ide et al. .... D12/129

\* cited by examiner

*Primary Examiner* — Ian Simmons

*Assistant Examiner* — Charles Hanson

(74) *Attorney, Agent, or Firm* — King & Schickli, PLLC

(57) **CLAIM**

I claim the ornamental design of a baby stroller, as shown and described.

**DESCRIPTION**

FIG. 1 is a perspective front view;  
FIG. 2 is a front view;  
FIG. 3 is a left side view;  
FIG. 4 is a rear view;  
FIG. 5 is a right side view;  
FIG. 6 is a top view; and,  
FIG. 7 is a bottom view.

**1 Claim, 7 Drawing Sheets**

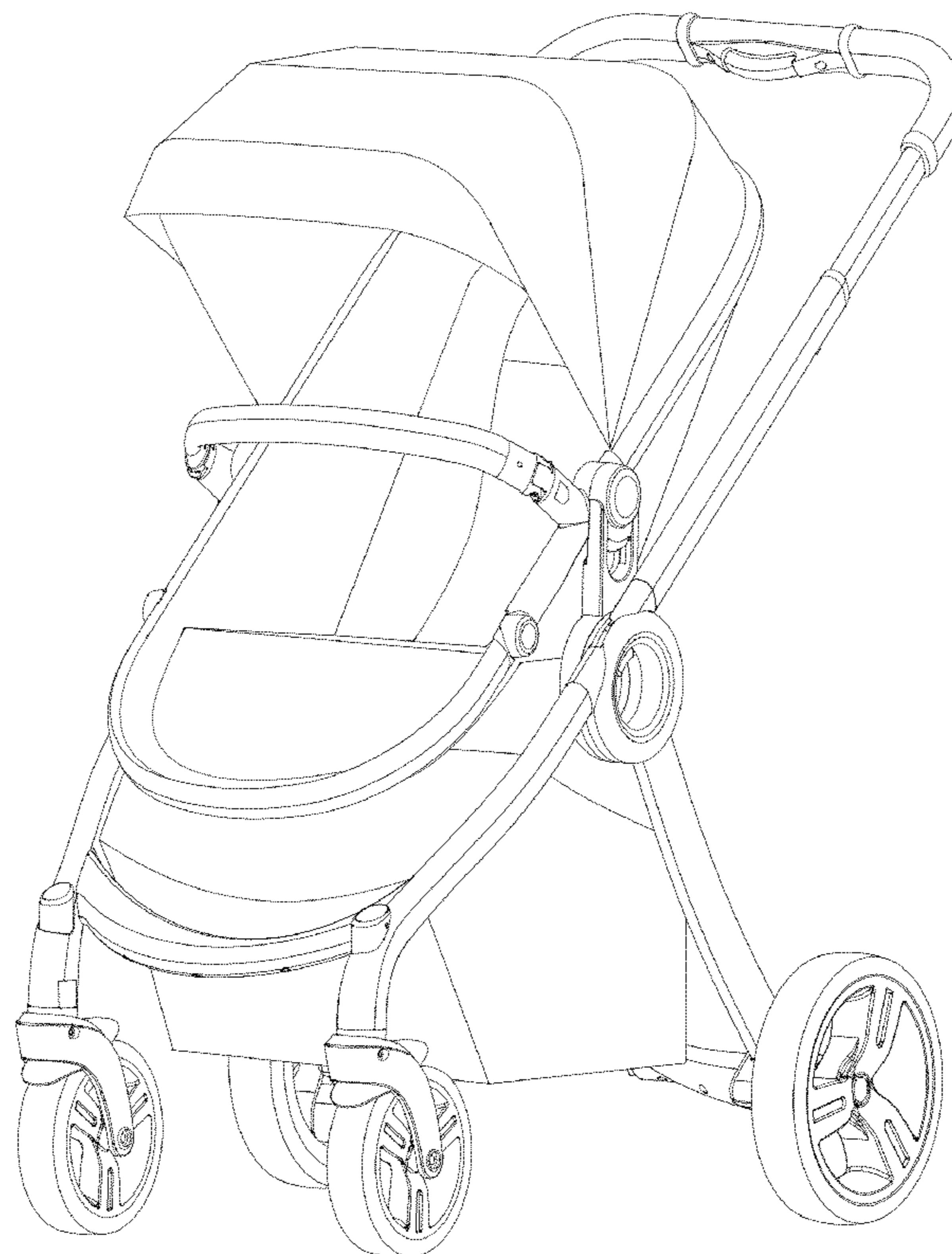




FIG. 1

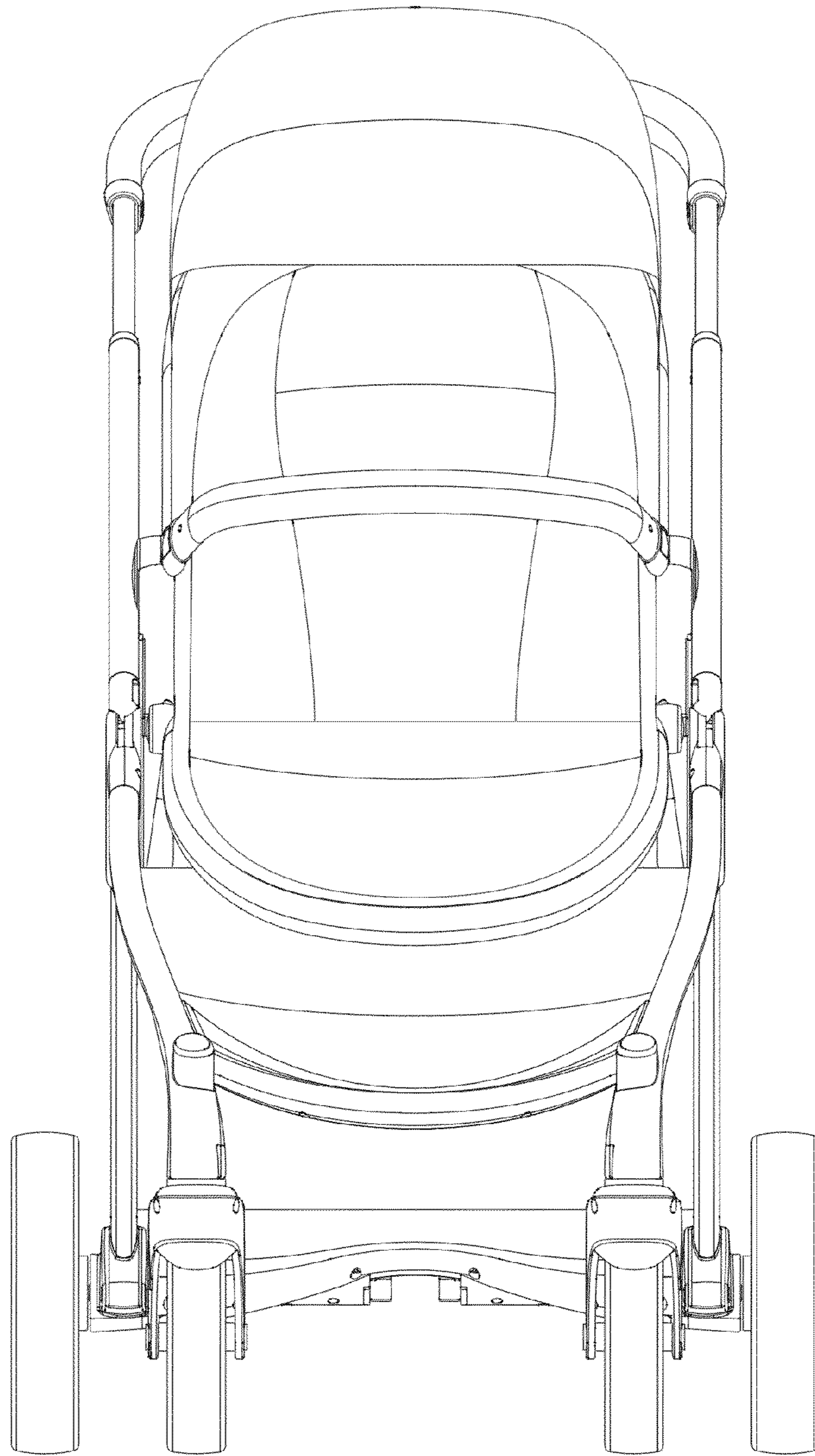


FIG. 2

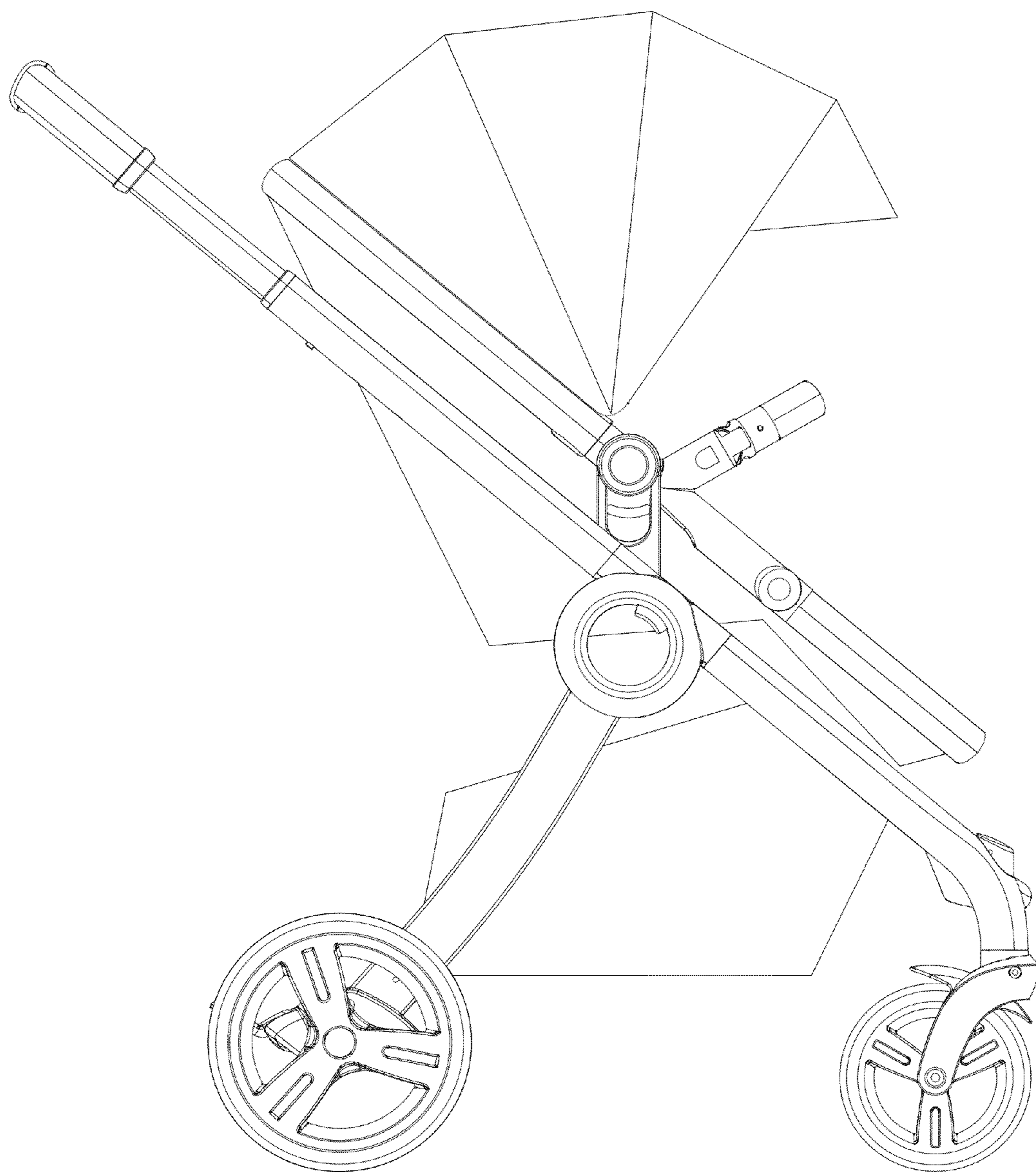


FIG. 3

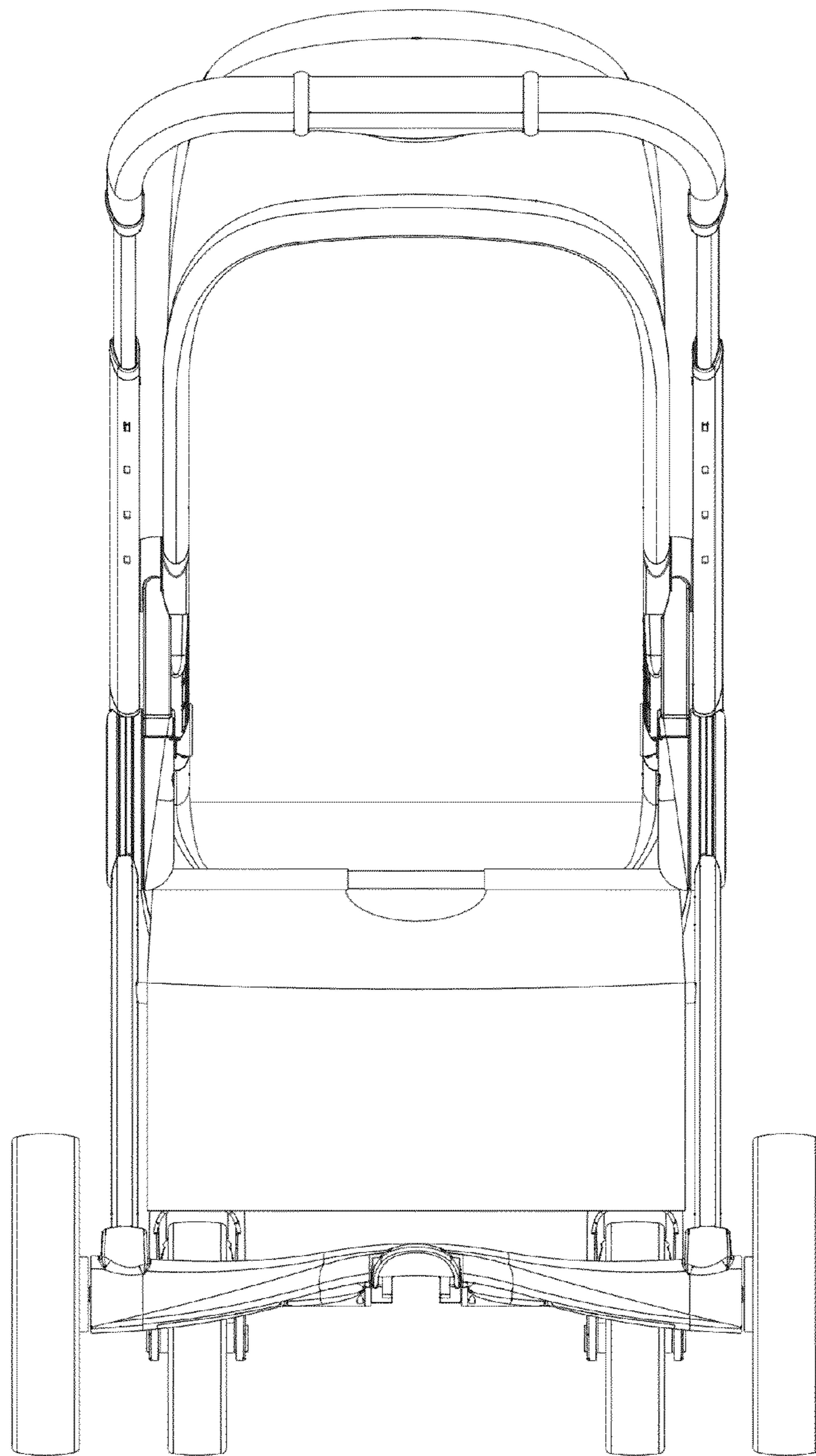


FIG. 4

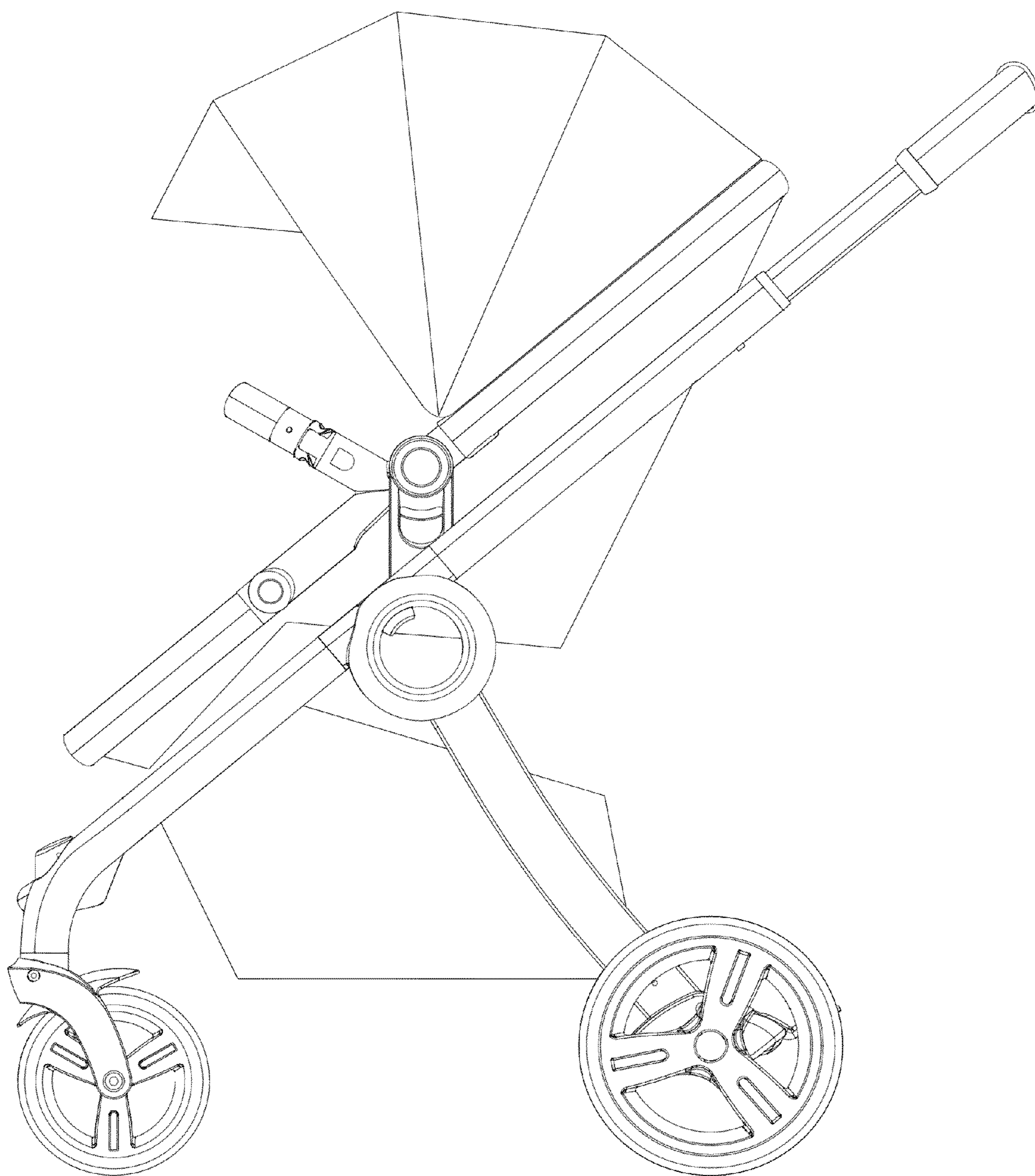


FIG. 5

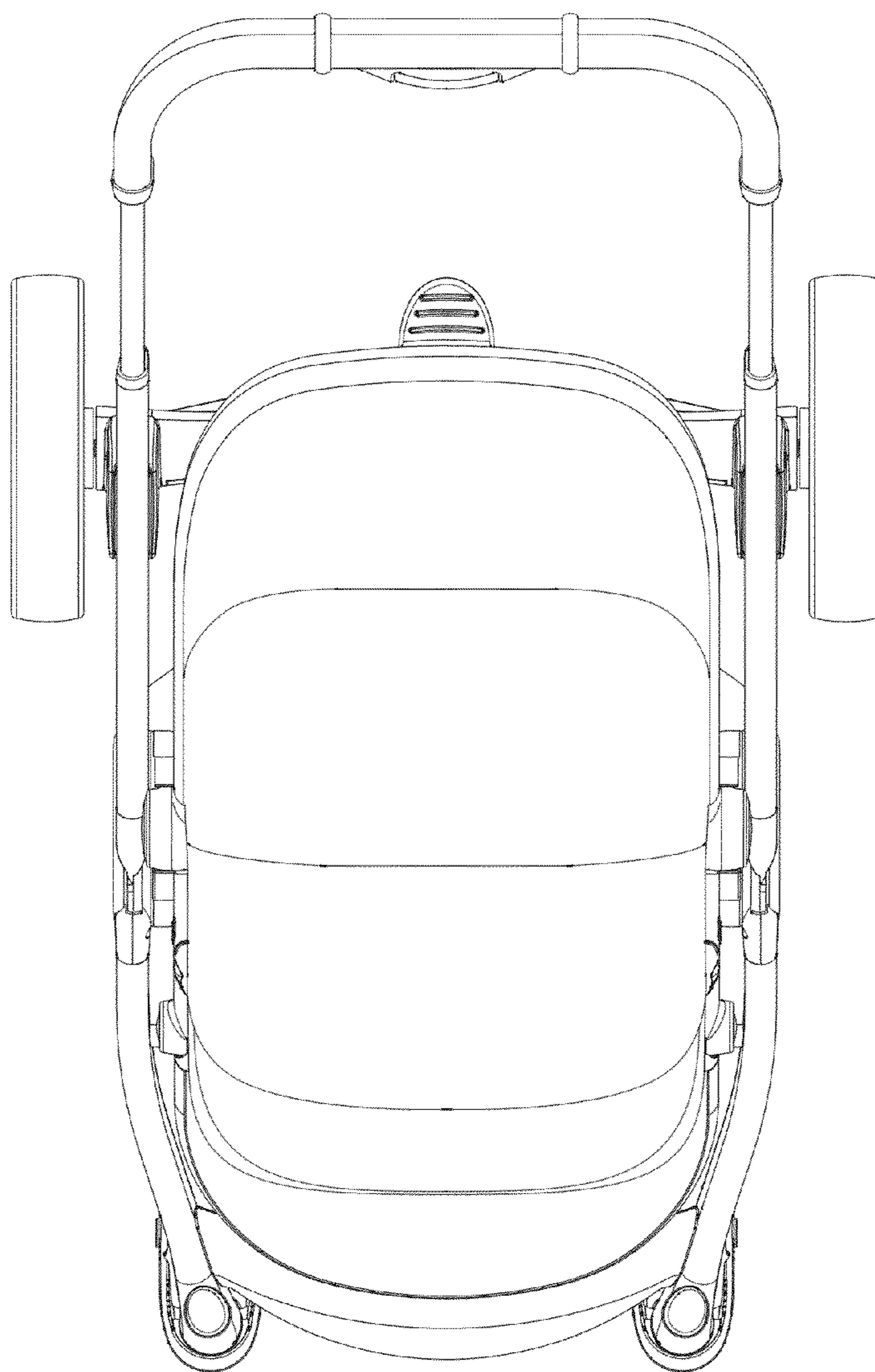


FIG. 6

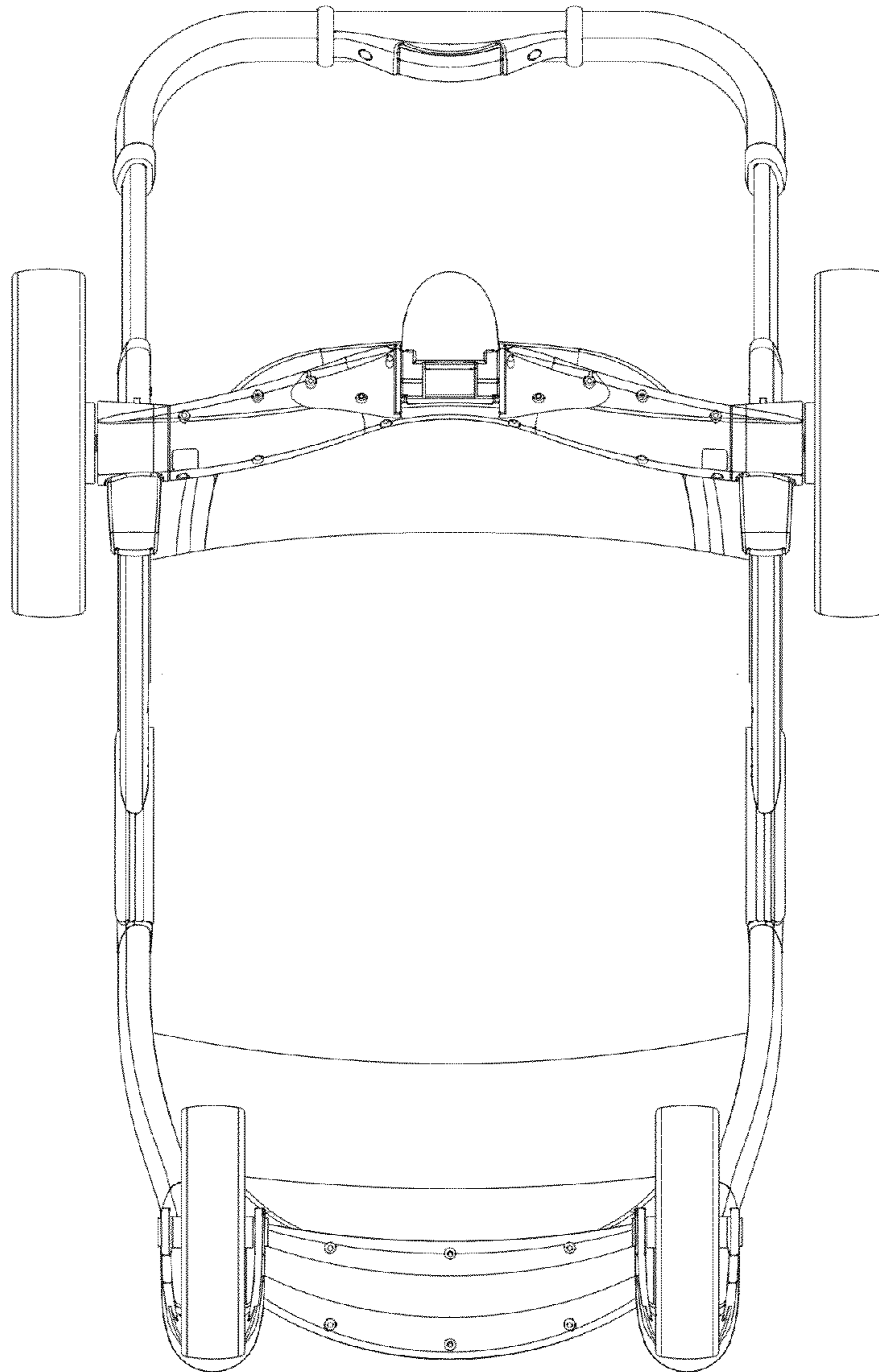


FIG. 7