



US00D721014S

(12) **United States Design Patent**
Kahler, Jr.

(10) **Patent No.:** **US D721,014 S**
(45) **Date of Patent:** **** Jan. 13, 2015**

(54) **BICYCLE FRAME**

(71) Applicant: **D6 Sports, Inc.**, Huntington Beach, CA
(US)

(72) Inventor: **Robert C. Kahler, Jr.**, Costa Mesa, CA
(US)

(73) Assignee: **D6 Sports, Inc.**, Huntington Beach, CA
(US)

(**) Term: **14 Years**

(21) Appl. No.: **29/490,048**

(22) Filed: **May 6, 2014**

(51) **LOC (10) Cl.** **12-11**

(52) **U.S. Cl.**
USPC **D12/111**

(58) **Field of Classification Search**
CPC B62K 3/00; B62K 3/005; B62K 9/00;
B62K 19/00; B62K 19/02; B62K 19/04;
B62K 19/06; B62K 19/16
USPC D12/111, 117; 280/274–280, 281.1,
280/283–288, 288.1–288.4
See application file for complete search history.

(56) **References Cited**

U.S. PATENT DOCUMENTS

D115,010	S	*	5/1939	Smith	D12/111
D123,377	S	*	11/1940	Smith	D12/111
D195,019	S	*	4/1963	Anderson	D12/111
D216,538	S	*	2/1970	Schreckangust	D12/111
D235,249	S	*	6/1975	Hill	D12/111
5,370,411	A	*	12/1994	Takamiya et al.	280/284
D533,811	S	*	12/2006	Hoisington et al.	D12/111

D594,787	S	*	6/2009	Dallaire	D12/111
D666,946	S	*	9/2012	Uimonen	D12/111
D690,239	S	*	9/2013	Uimonen	D12/111
D693,739	S	*	11/2013	Uimonen	D12/111

OTHER PUBLICATIONS

“Beach Cruiser Bikes for Women—Fun Timeless & Iconic.” Venice Beach Bicycles., Apr. 5, 2014 [online], [retrieved on Oct. 11, 2014]. Retrieved from the Internet <URL: <http://venicebeachbicycles.com/beach-cruiser-bikes-for-women-fun-timeless-iconic/>>.*

Tarantino, John. “Ride Your Bicycle instead of Driving.” The Environmental Blog., Jun. 22, 2007 [online], [retrieved on Oct. 11, 2014]. Retrieved from the Internet <URL: <http://www.theenvironmentalblog.org/2007/06/ride-your-bicycle-instead-of-driving/>>.*

* cited by examiner

Primary Examiner — Philip S Hyder

Assistant Examiner — Darlington Ly

(74) *Attorney, Agent, or Firm* — Jeffer Mangels Butler & Mitchell LLP; Rod S. Berman, Esq.; Brennan C. Swain, Esq.

(57) **CLAIM**

The ornamental design for a bicycle frame, as shown and described.

DESCRIPTION

FIG. 1 is a perspective view showing my new design for a bicycle frame;

FIG. 2 is a side elevation view thereof;

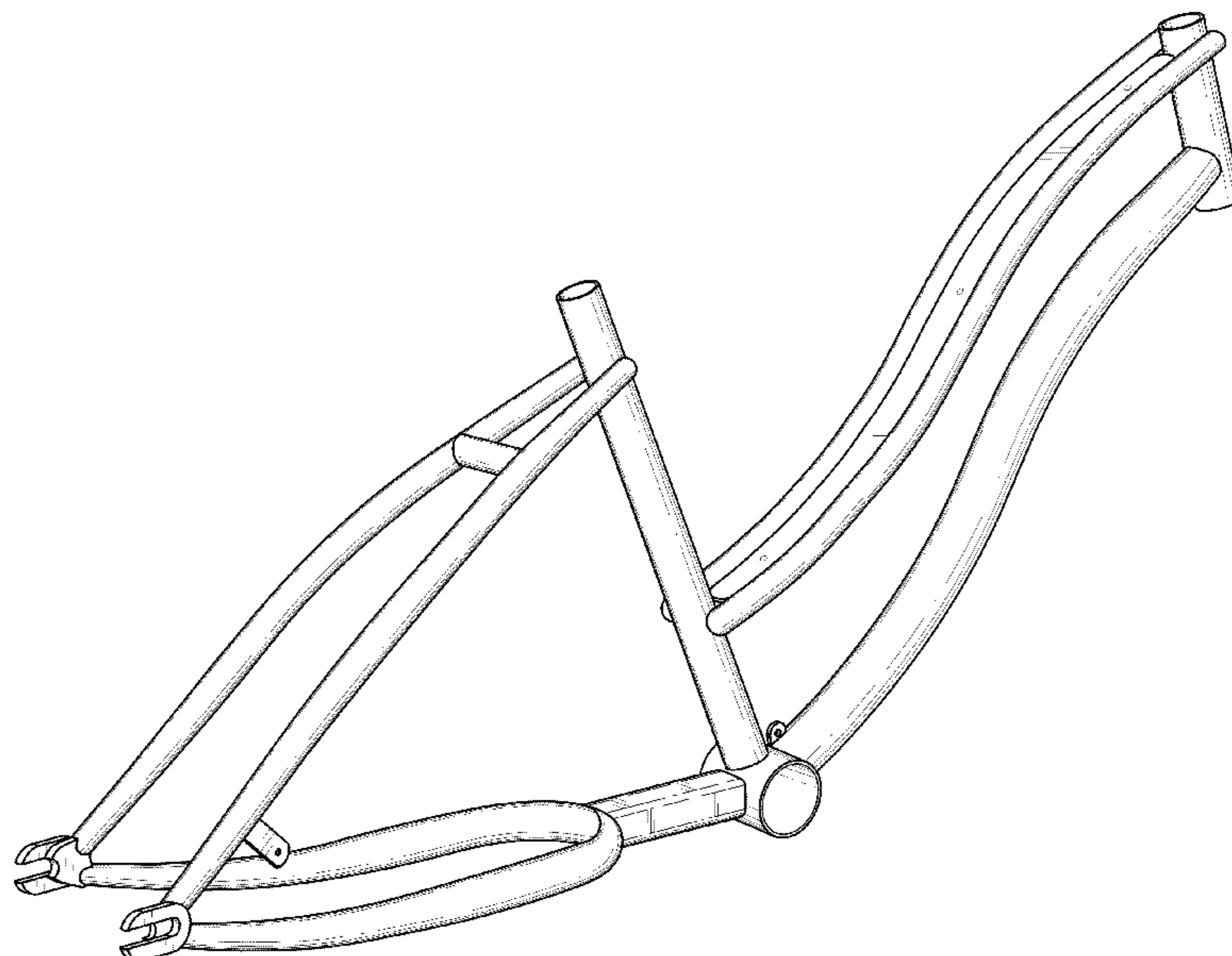
FIG. 3 is a rear elevation view thereof;

FIG. 4 is a front elevation view thereof;

FIG. 5 is a top plan view thereof; and,

FIG. 6 is a bottom plan view thereof.

1 Claim, 4 Drawing Sheets



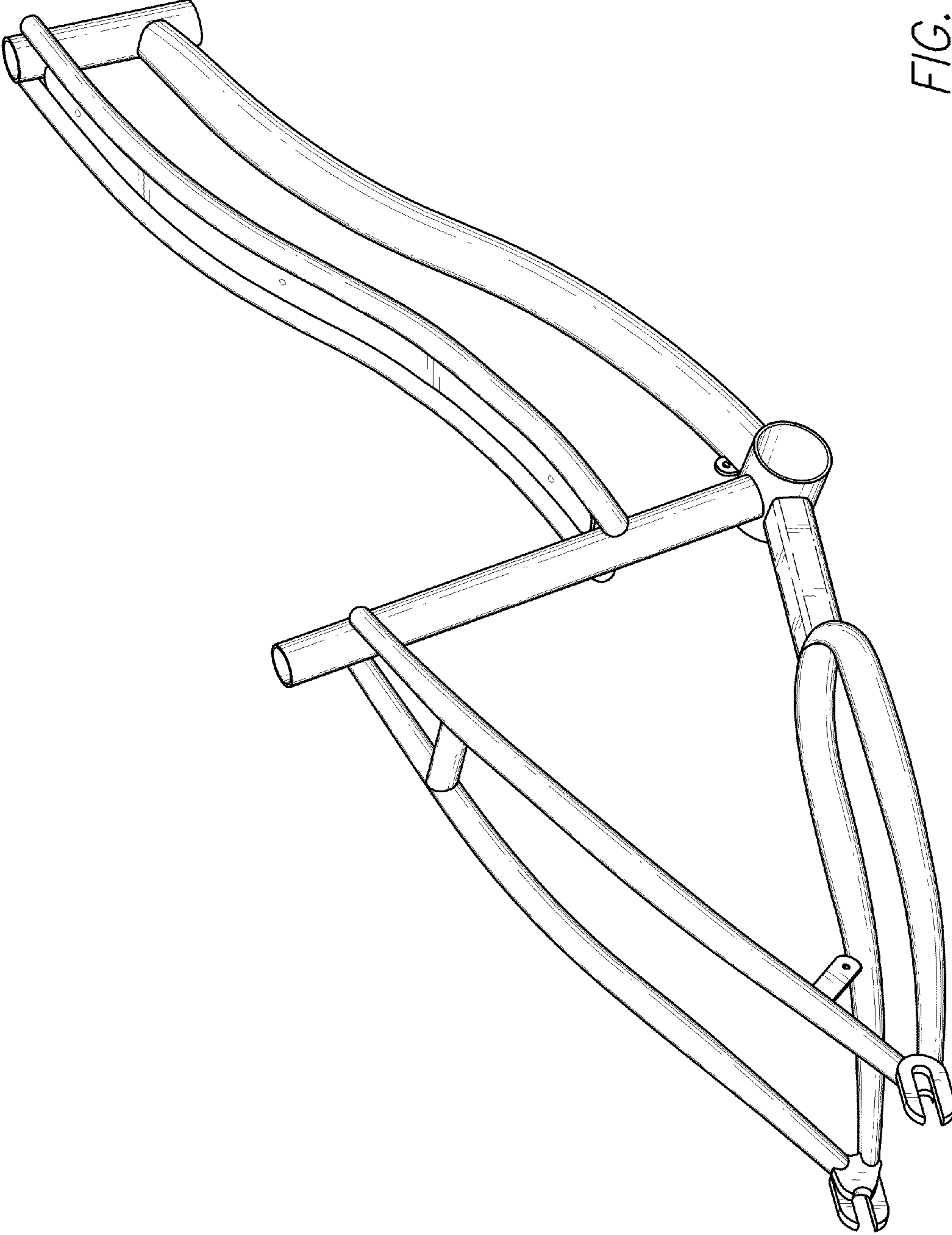


FIG. 1

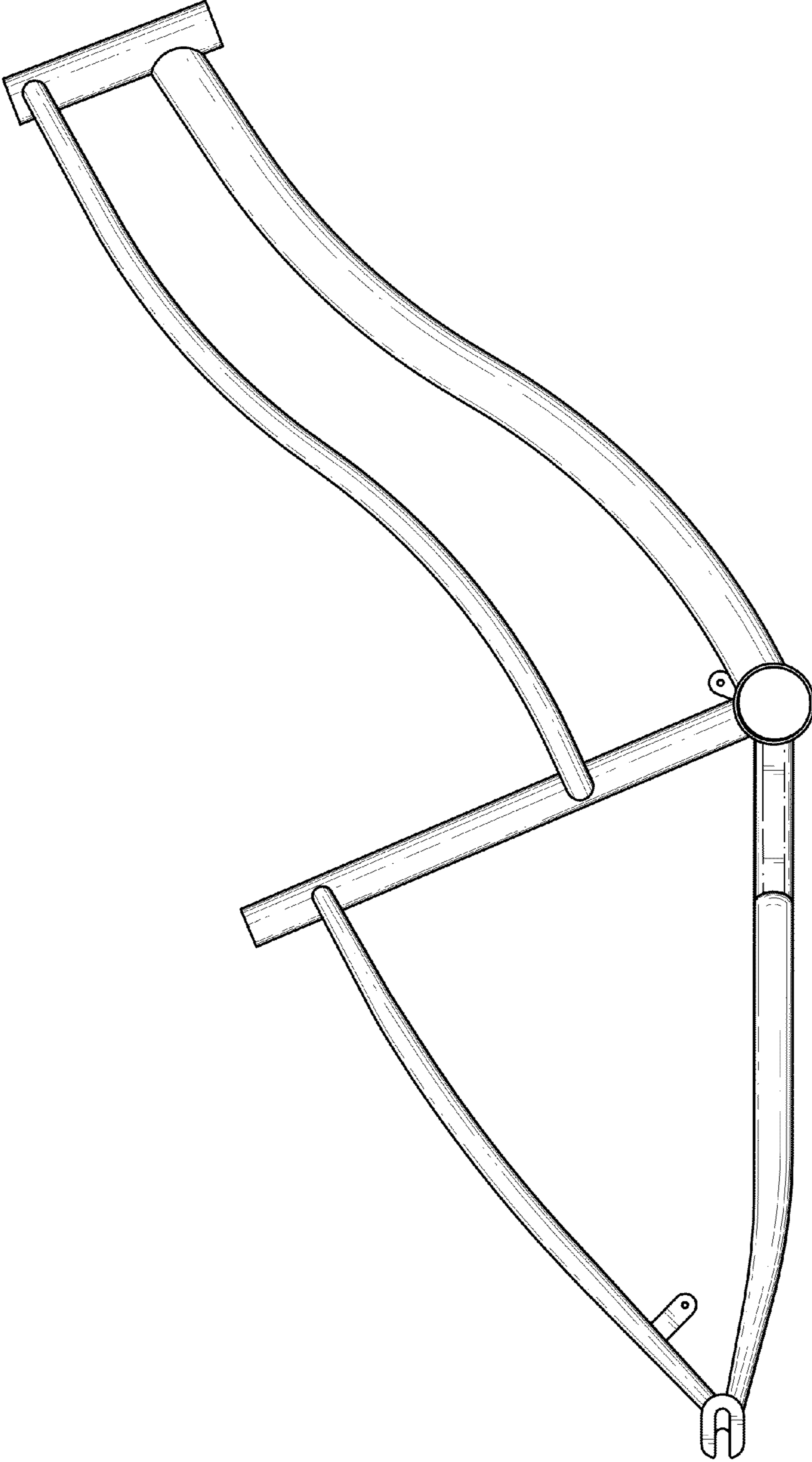


FIG. 2

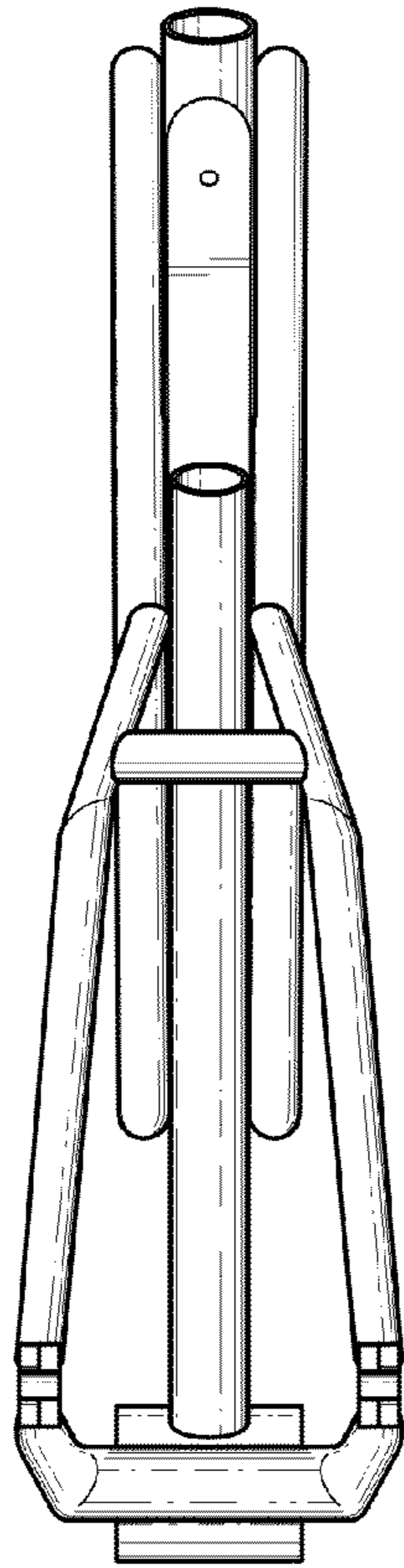


FIG. 3

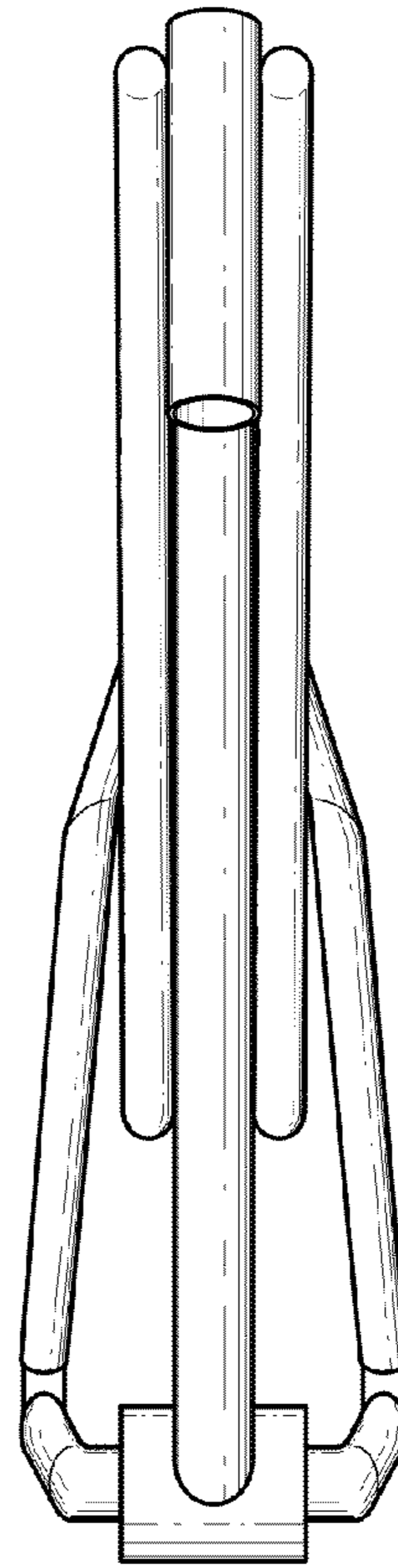


FIG. 4

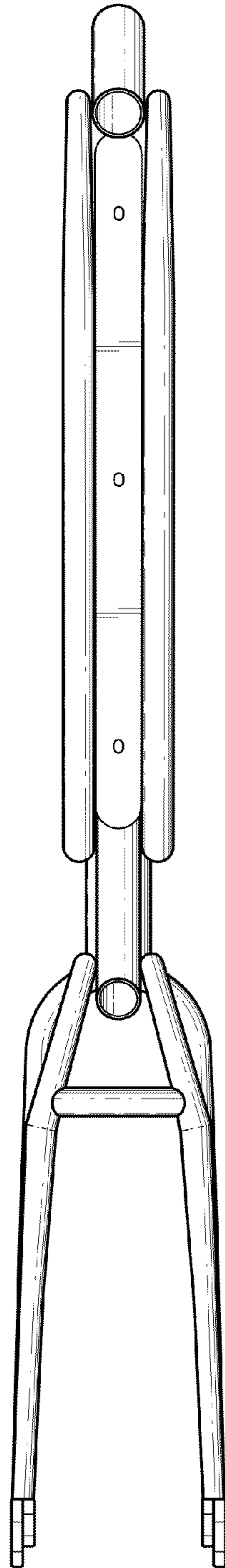


FIG. 5

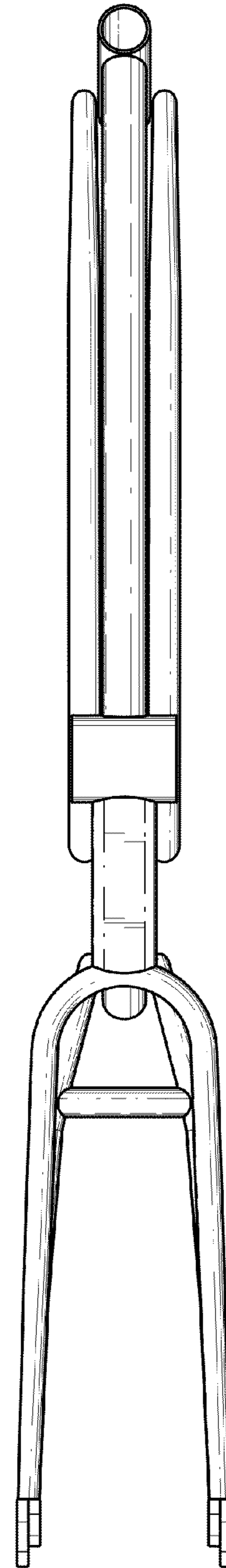


FIG. 6