



US00D721013S

(12) **United States Design Patent**
Fragassi et al.

(10) **Patent No.:** **US D721,013 S**
(45) **Date of Patent:** **** Jan. 13, 2015**

(54) **BICYCLE WITH KICKSTAND AND DOCKING STATION**

(71) Applicants: **Steven Paul Fragassi**, Kenosha, WI (US); **George Hines**, Petaluma, CA (US); **Gilberto Cavada, Jr.**, Wauconda, IL (US)

(72) Inventors: **Steven Paul Fragassi**, Kenosha, WI (US); **George Hines**, Petaluma, CA (US); **Gilberto Cavada, Jr.**, Wauconda, IL (US)

(73) Assignee: **Product Development Technologies, Inc.**, Lake Zurich, IL (US)

(**) Term: **14 Years**

(21) Appl. No.: **29/489,808**

(22) Filed: **May 2, 2014**

(51) **LOC (10) Cl.** **12-11**

(52) **U.S. Cl.**
USPC **D12/111**

(58) **Field of Classification Search**
CPC B62K 3/00; B62K 3/005; B62K 9/00;
B62K 19/00; B62K 19/02; B62K 19/04;
B62K 19/06; B62K 19/16
USPC D12/111, 117; 280/274–280, 281.1,
280/283–288, 288.1–288.4
See application file for complete search history.

(56) **References Cited**

U.S. PATENT DOCUMENTS

D112,889 S *	1/1939	Vassos	D12/111
D201,604 S *	7/1965	Bowden	D12/111
D359,014 S *	6/1995	Haney et al.	D12/111
D398,562 S *	9/1998	Coker et al.	D12/111
D491,111 S *	6/2004	Mizuta et al.	D12/111
D551,130 S *	9/2007	Pizzi et al.	D12/111
D558,646 S *	1/2008	Sheppard	D12/111

D670,208 S *	11/2012	Frenzel et al.	D12/111
D694,156 S *	11/2013	Taipalus	D12/111
8,801,023 B2 *	8/2014	Chamberlain	280/284
2008/0023935 A1 *	1/2008	McAndrews	280/283
2008/0258427 A1 *	10/2008	Buckley	280/284
2009/0102158 A1 *	4/2009	Antonot	280/284

FOREIGN PATENT DOCUMENTS

JP	2005313660 A *	11/2005	B62K 25/20
JP	2006103474 A *	4/2006	B62K 25/20
JP	2006142852 A *	6/2006	B62K 25/20

* cited by examiner

Primary Examiner — Philip S Hyder

Assistant Examiner — Darlington Ly

(74) *Attorney, Agent, or Firm* — Heather A. Kartsounes

(57) **CLAIM**

The ornamental design for a bicycle with kickstand and docking station, as shown and described.

DESCRIPTION

FIG. 1 is a front perspective view of the left side of the bicycle with kickstand and docking station showing our new design. FIG. 2 is a rear perspective view of the right side of the bicycle with kickstand and docking station. FIG. 3 is a top plan view of the bicycle with kickstand and docking station. FIG. 4 is a right side elevation view of the bicycle with kickstand and docking station. FIG. 5 is a front elevation view of the bicycle with kickstand and docking station. FIG. 6 is a rear elevation view of the bicycle with kickstand and docking station. FIG. 7 is a left side elevation view of the bicycle with kickstand and docking station; and, FIG. 8 is a bottom plan view of the bicycle with kickstand and docking station.

1 Claim, 7 Drawing Sheets

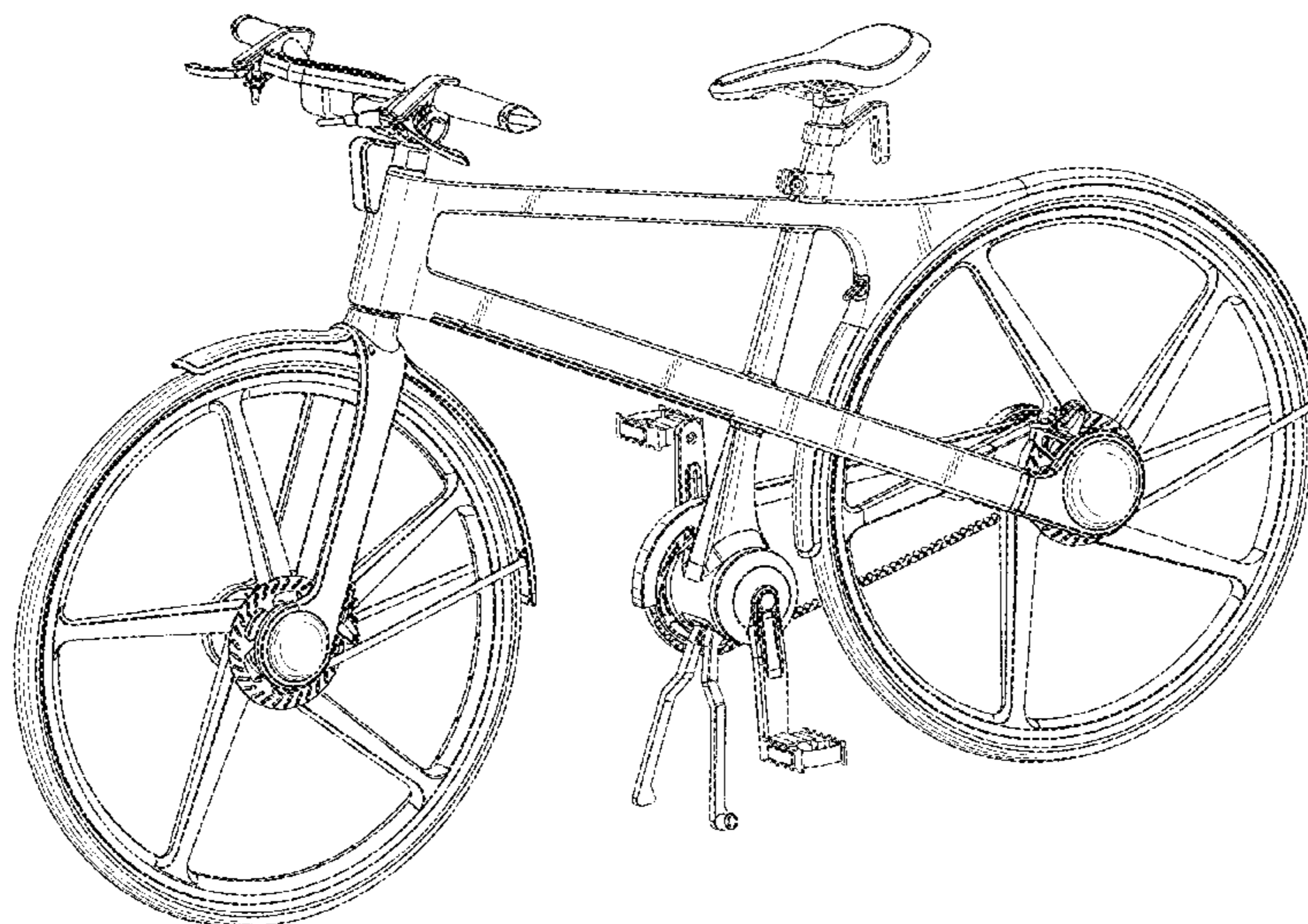
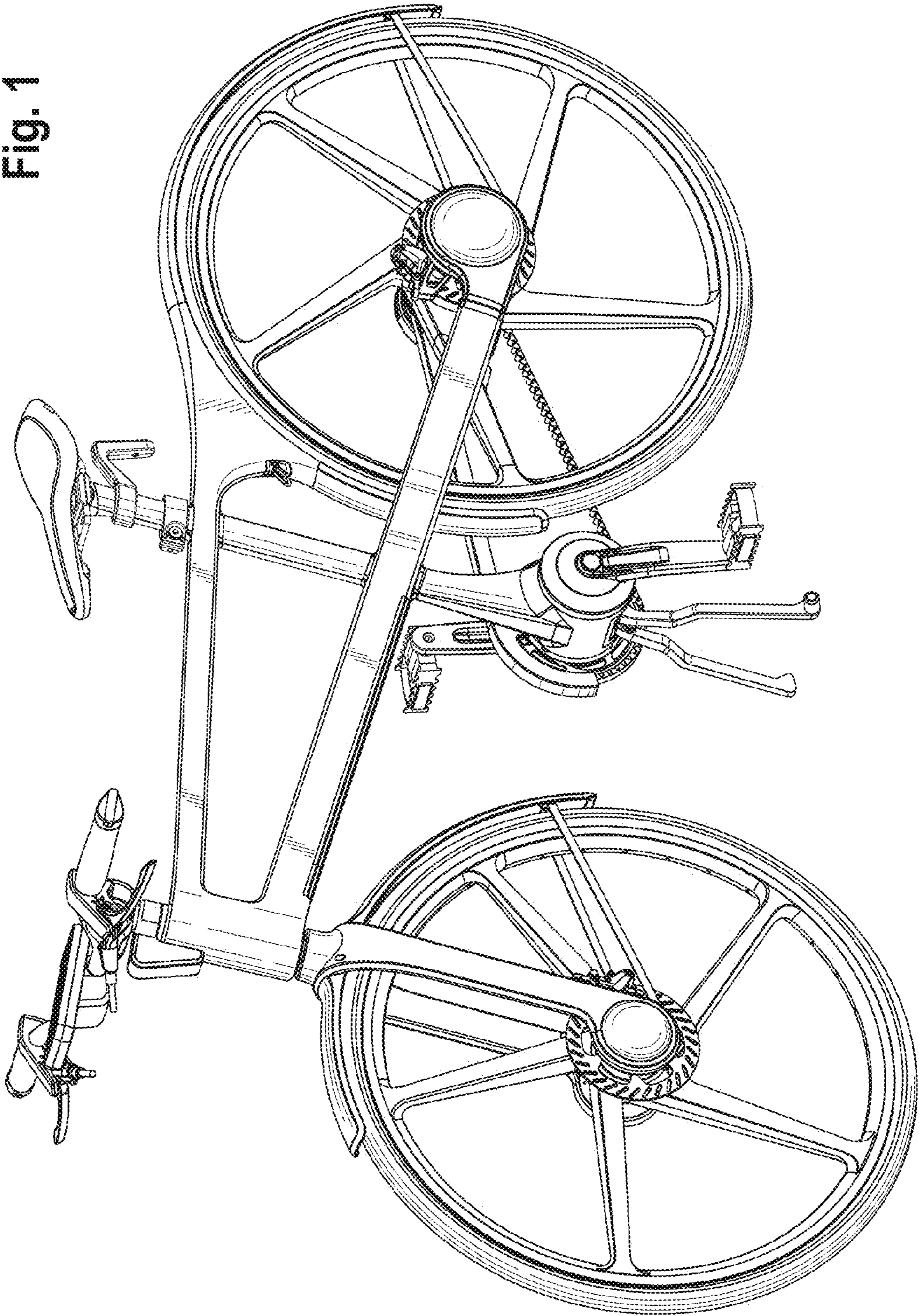


Fig. 1



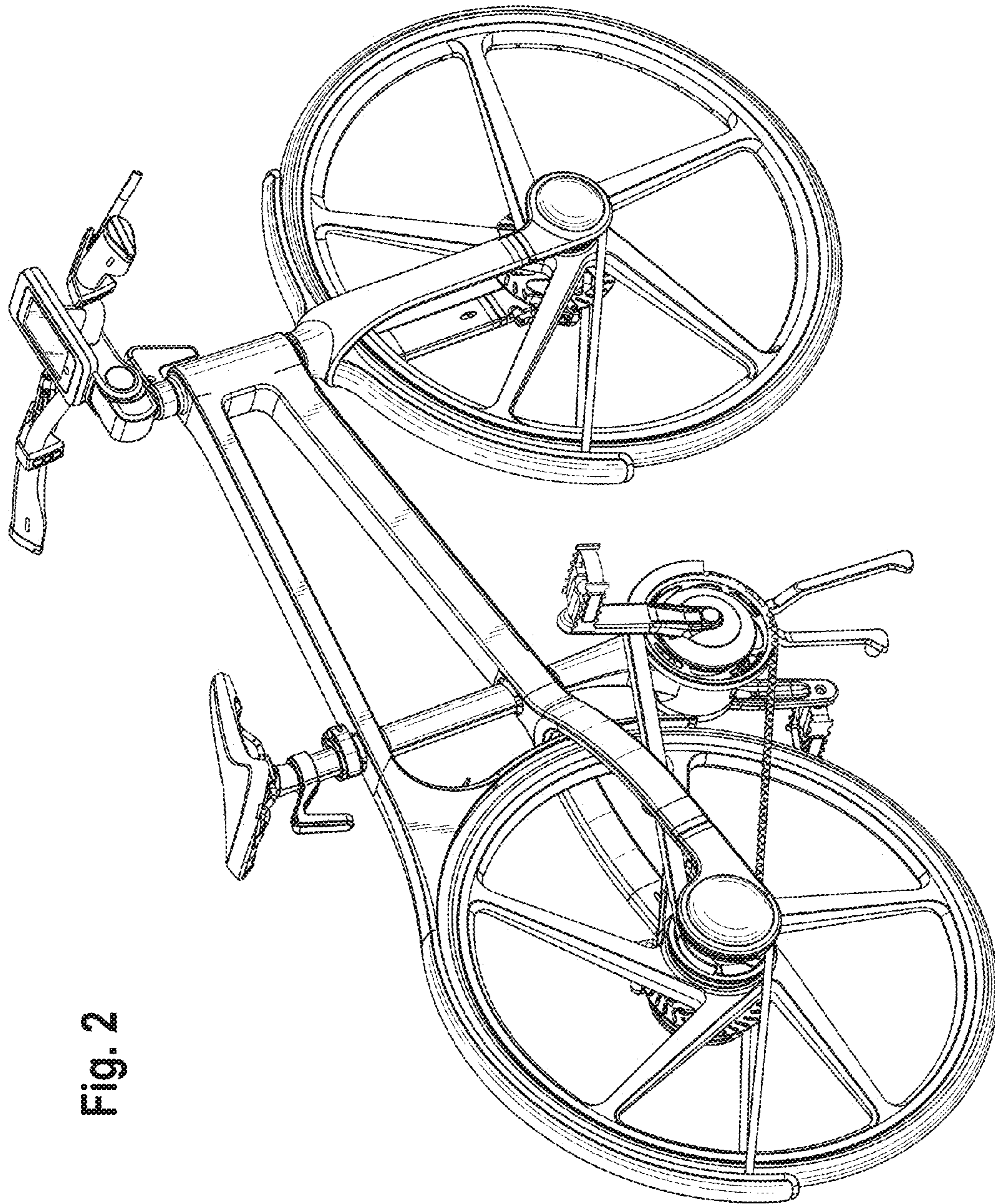
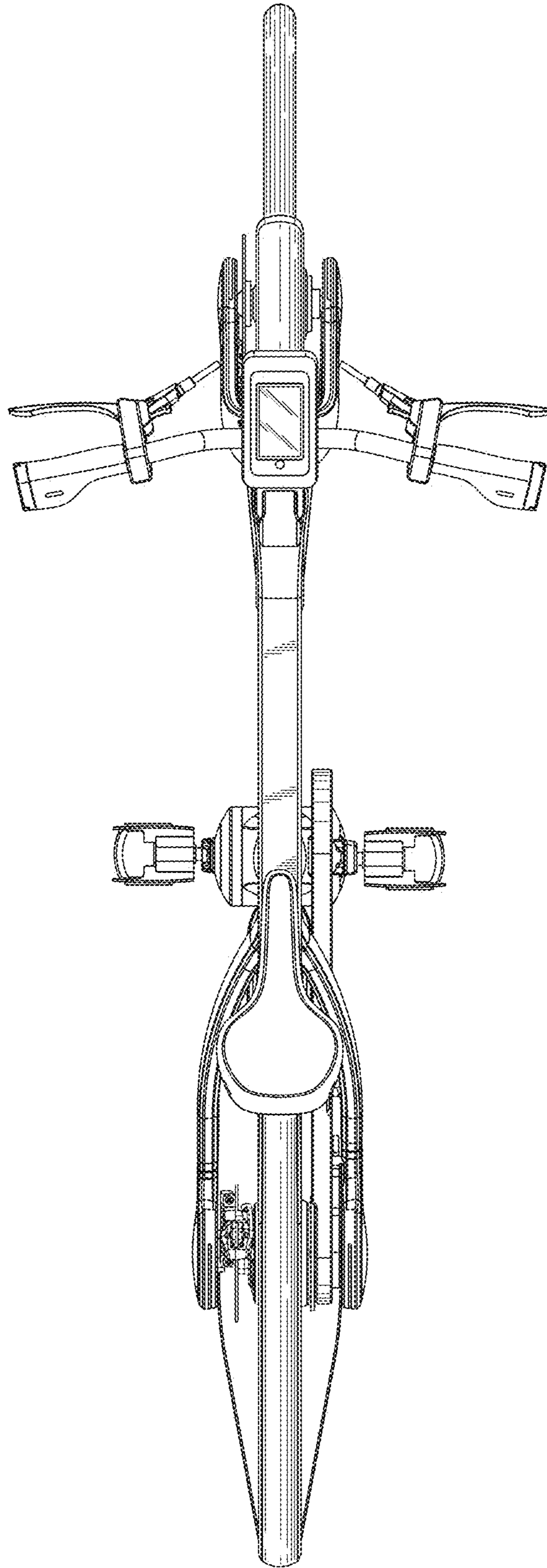


Fig. 2

Fig. 3



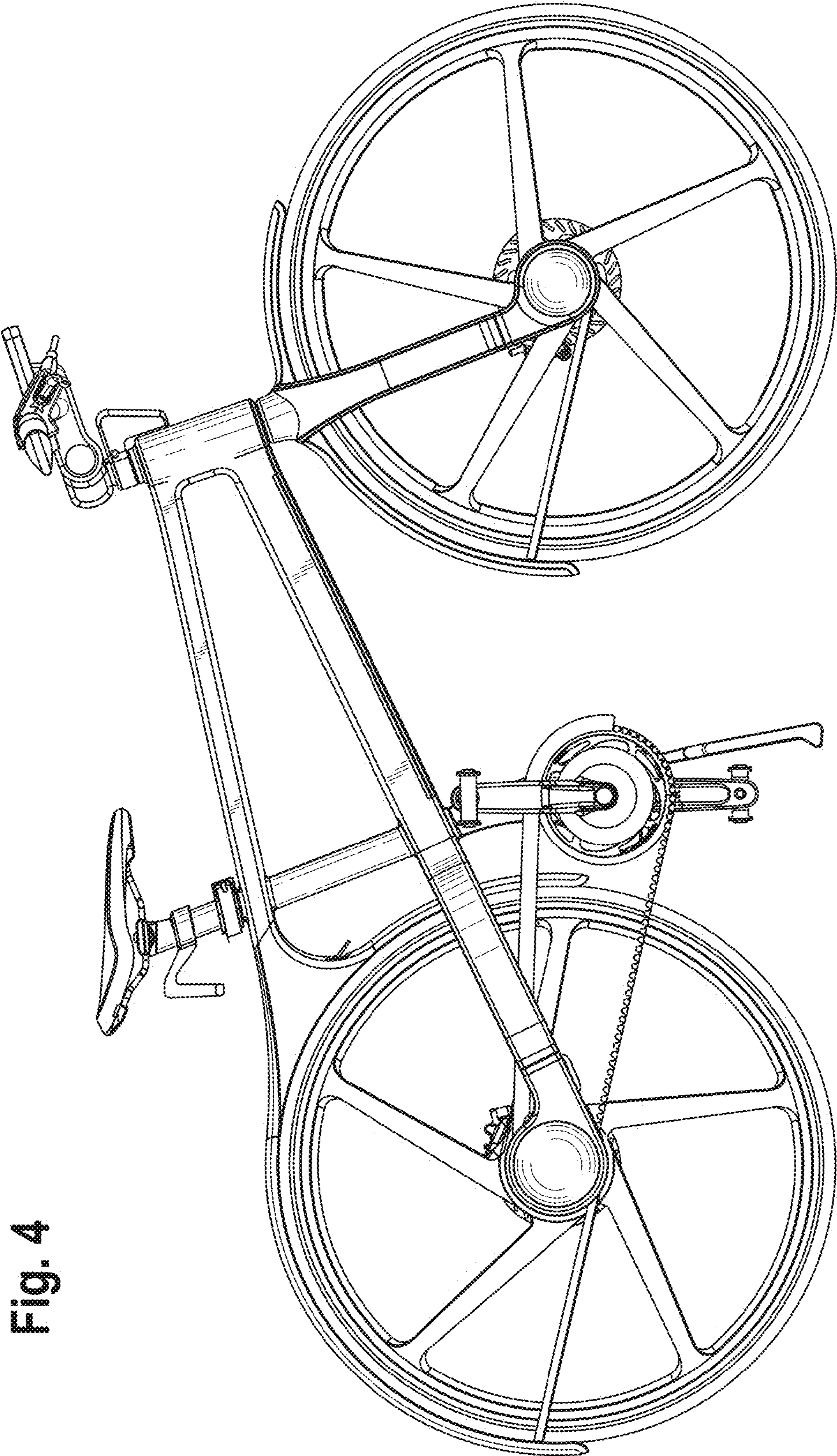


Fig. 4

Fig. 6

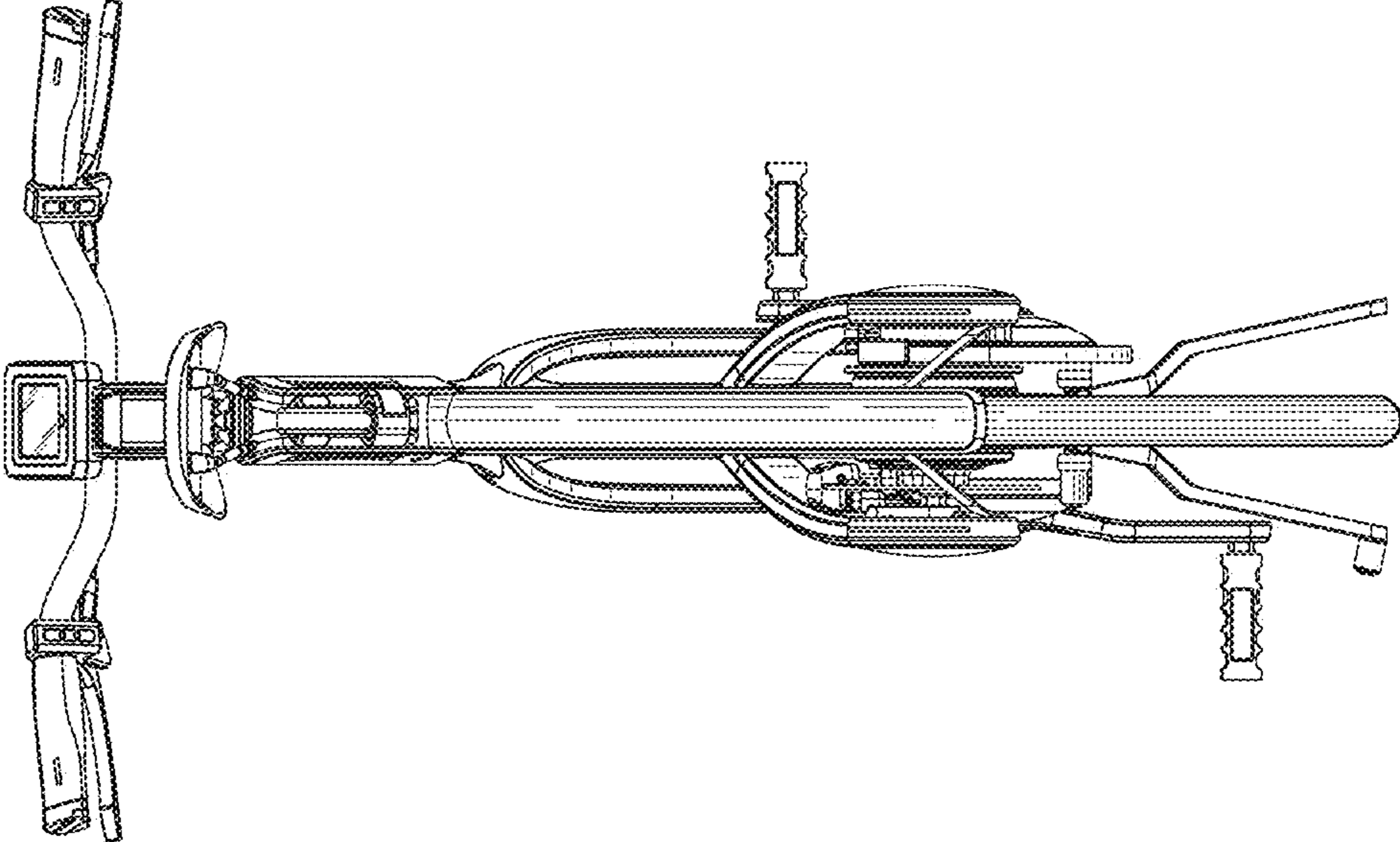
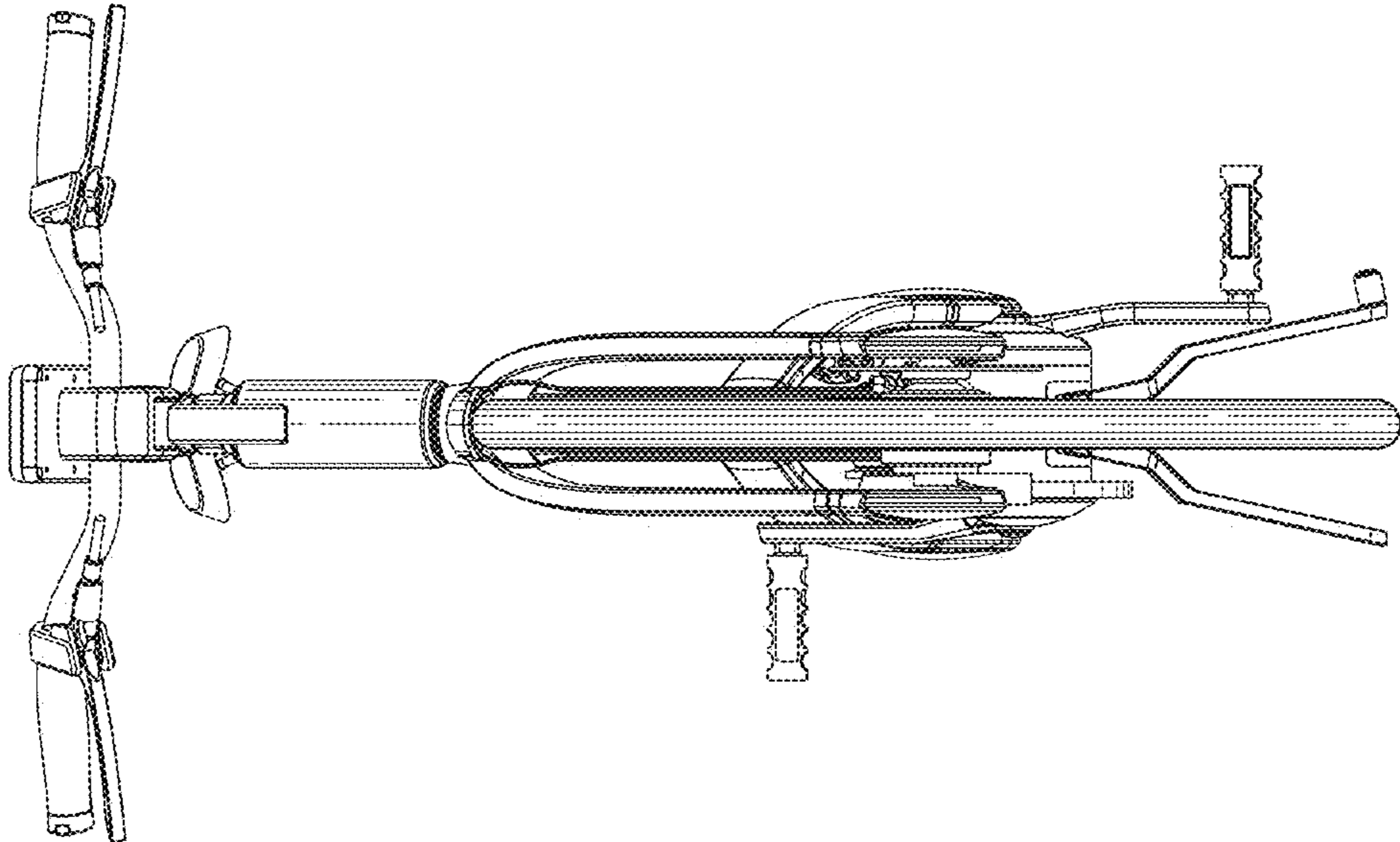


Fig. 5



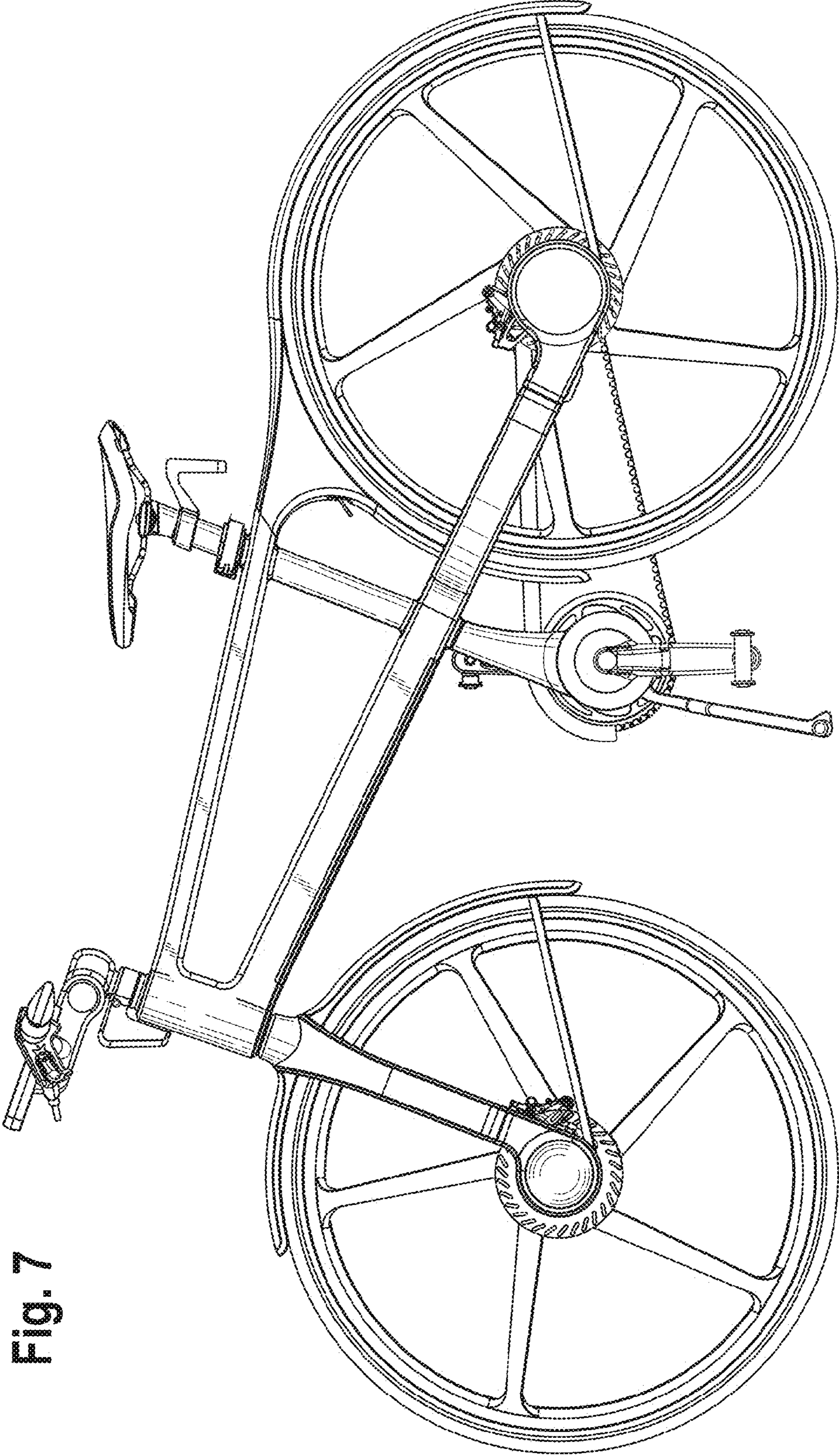


Fig. 7

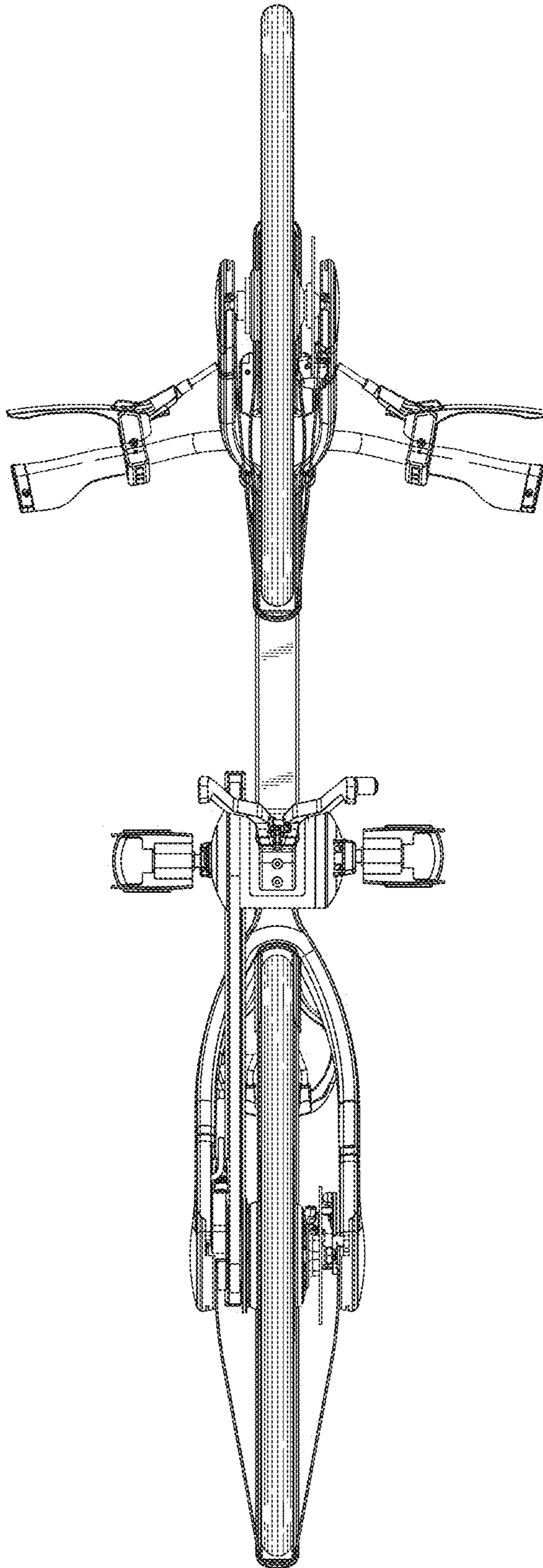


Fig. 8