



US00D721012S

(12) **United States Design Patent**  
**Zhang**

(10) **Patent No.:** **US D721,012 S**  
(45) **Date of Patent:** **\*\* Jan. 13, 2015**

- (54) **MULTI-FUNCTIONAL VEHICLE**
- (71) Applicant: **Suzhou Eagle Electric Vehicle Manufacturing Co., Ltd.**, Suzhou, Jiangsu Province (CN)
- (72) Inventor: **Xueqing Zhang**, Suzhou (CN)
- (73) Assignee: **Suzhou Eagle Electric Vehicle Manufacturing Co., Ltd.**, Suzhou, Jiangsu Province (CN)
- (\*\*) Term: **14 Years**
- (21) Appl. No.: **29/470,672**
- (22) Filed: **Oct. 23, 2013**
- (30) **Foreign Application Priority Data**  
Jun. 7, 2013 (CN) ..... 2013 3 0237816
- (51) **LOC (10) Cl.** ..... **12-02**
- (52) **U.S. Cl.**  
USPC ..... **D12/16**
- (58) **Field of Classification Search**  
USPC ..... D12/14, 1, 87, 86, 433, 15, 16, 107, 82, D12/88, 89, 90, 91, 92, 93; D21/803; 180/233, 908; 280/DIG. 5, 183, 184, 280/185, 186, 28, 37.7  
See application file for complete search history.

- D603,754 S \* 11/2009 Tuo ..... D12/16
- D617,681 S \* 6/2010 Tuo ..... D12/16
- D640,598 S \* 6/2011 Zhang ..... D12/16
- D646,199 S \* 10/2011 Zhang et al. .... D12/16

\* cited by examiner

*Primary Examiner* — T. Chase Nelson  
*Assistant Examiner* — Ania Aman  
(74) *Attorney, Agent, or Firm* — Cheng-Ju Chiang

(57) **CLAIM**

The ornamental design for a multi-functional vehicle, as shown and described.

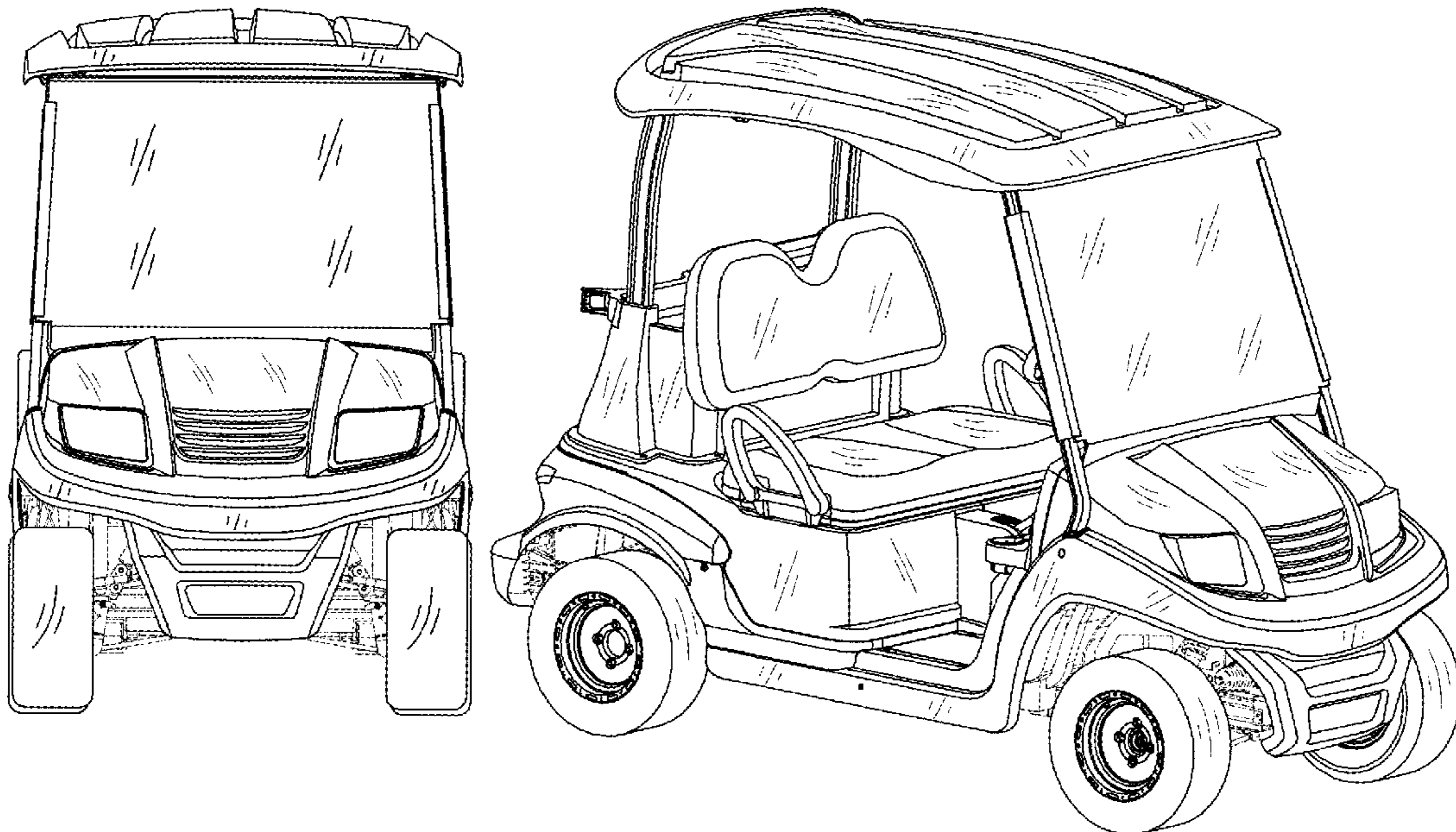
**DESCRIPTION**

FIG. 1 is a front elevation view of a multi-functional vehicle in accordance with my design;  
FIG. 2 is a rear elevation view of the multi-functional vehicle;  
FIG. 3 is left elevation view of the multi-functional vehicle;  
FIG. 4 is a right side view of the multi-functional vehicle;  
FIG. 5 is a top view of the multi-functional vehicle;  
FIG. 6 is a perspective view of the multi-functional vehicle;  
FIG. 7 is another perspective view of the multi-functional vehicle;  
FIG. 8 is still another perspective view of the multi-functional vehicle; and,  
FIG. 9 is still another perspective view of the multi-functional vehicle.  
Throughout the figures, the undercarriage elements of the multi-functional vehicle shown in broken lines are for illustrative purposes only and do not form part of the claimed design.

(56) **References Cited**  
U.S. PATENT DOCUMENTS

- D588,957 S \* 3/2009 Tuo ..... D12/16
- D589,397 S \* 3/2009 Tuo ..... D12/1

**1 Claim, 9 Drawing Sheets**



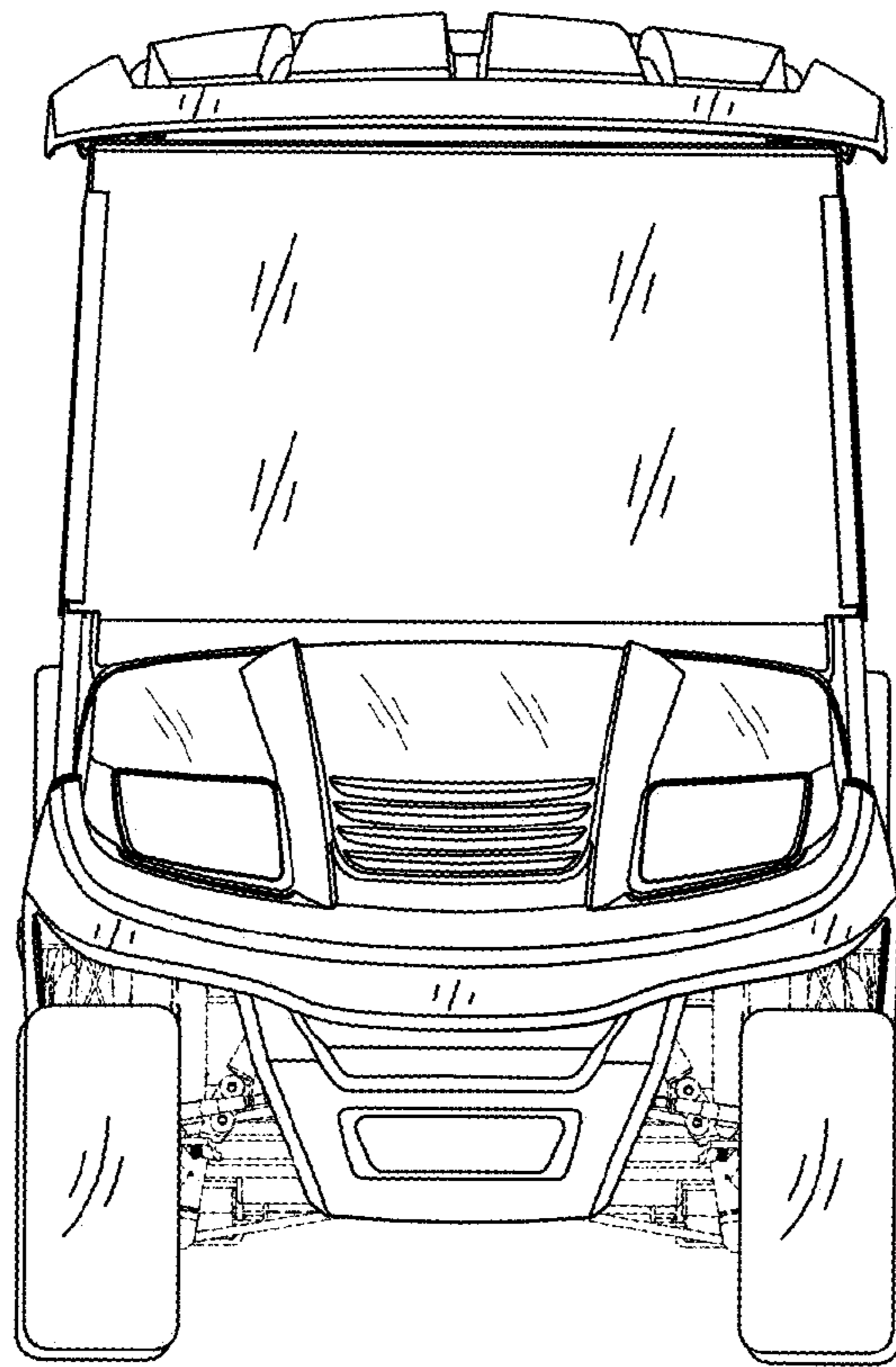


FIG. 1

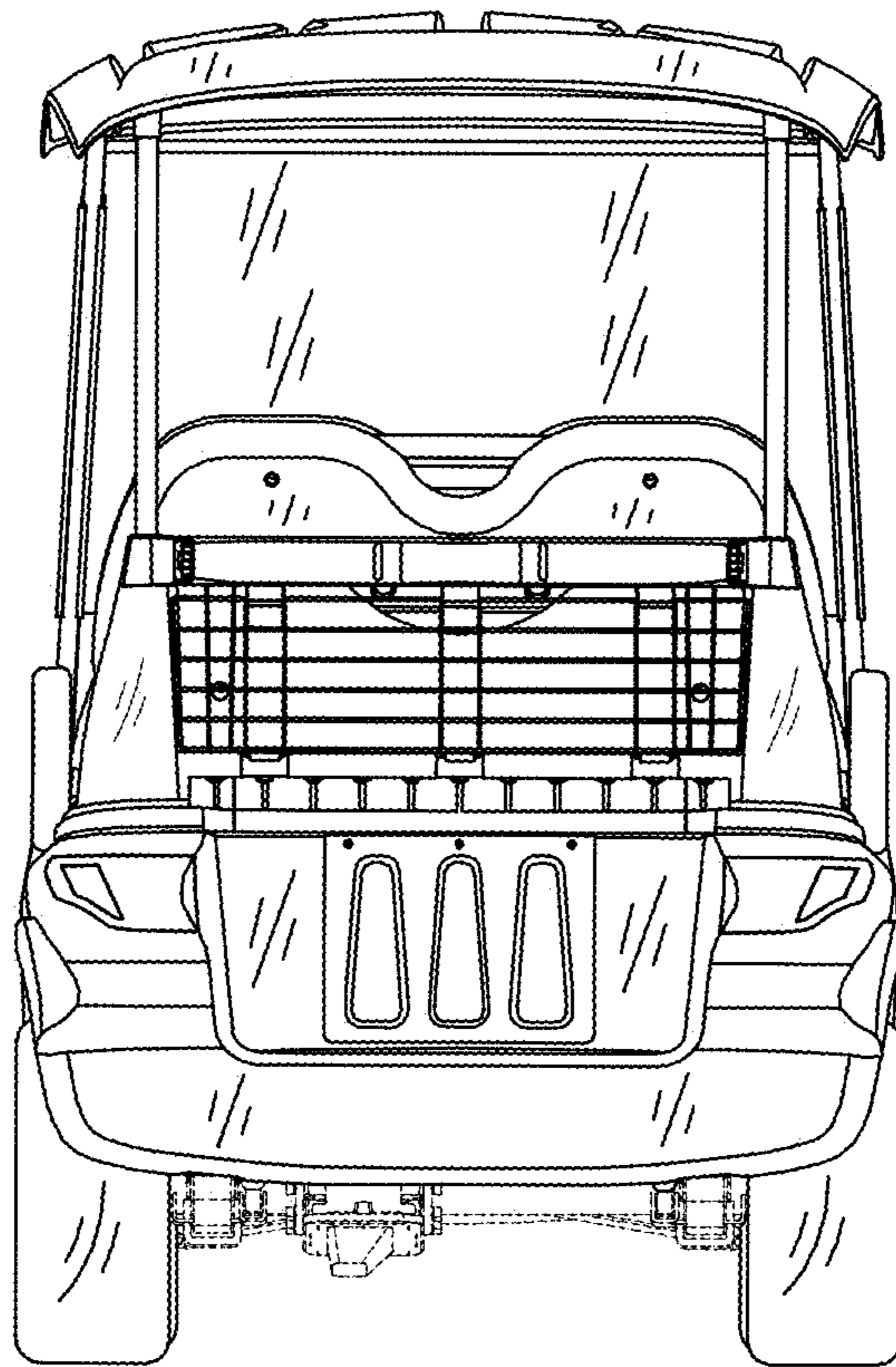


FIG. 2

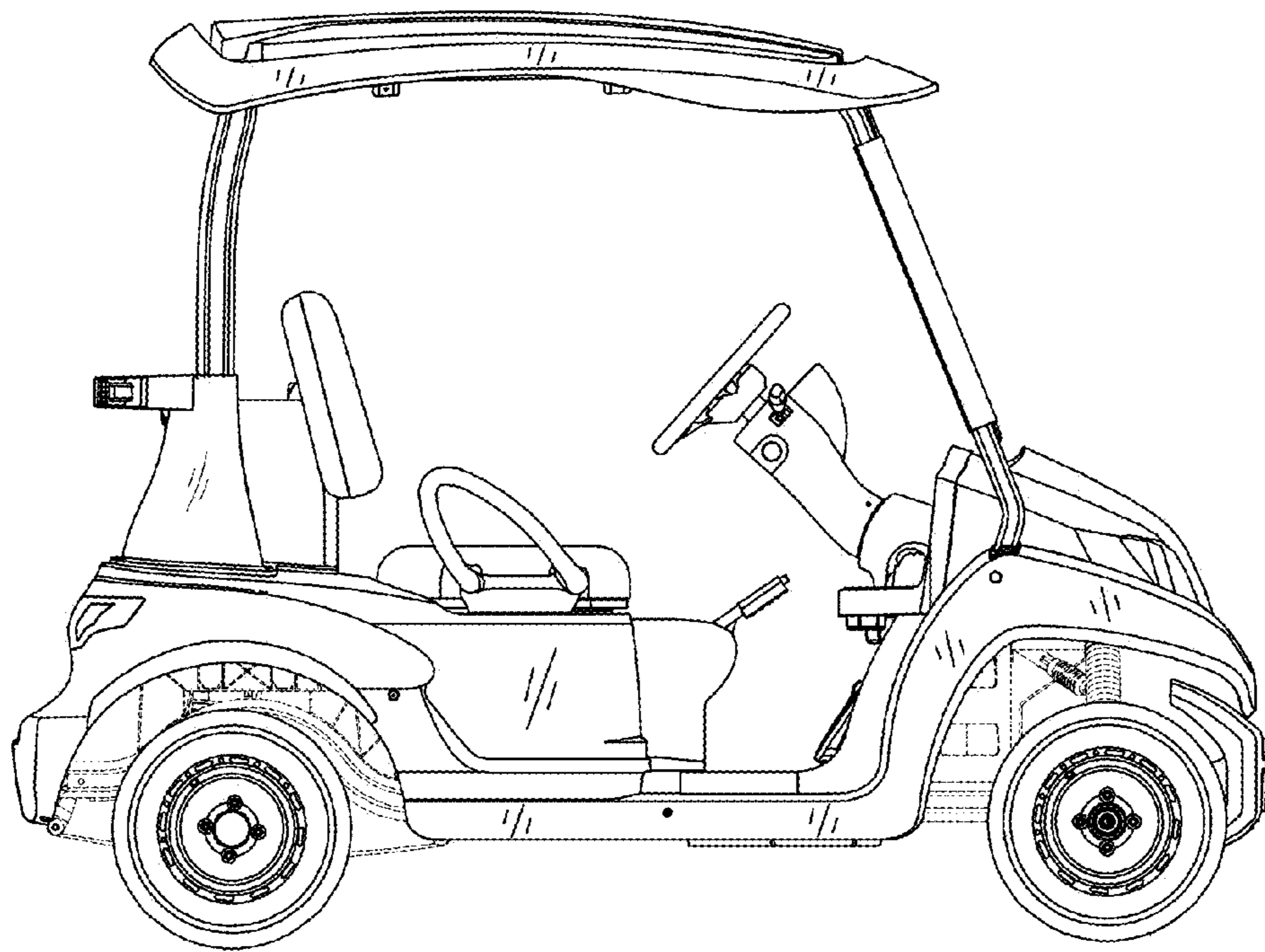


FIG. 3



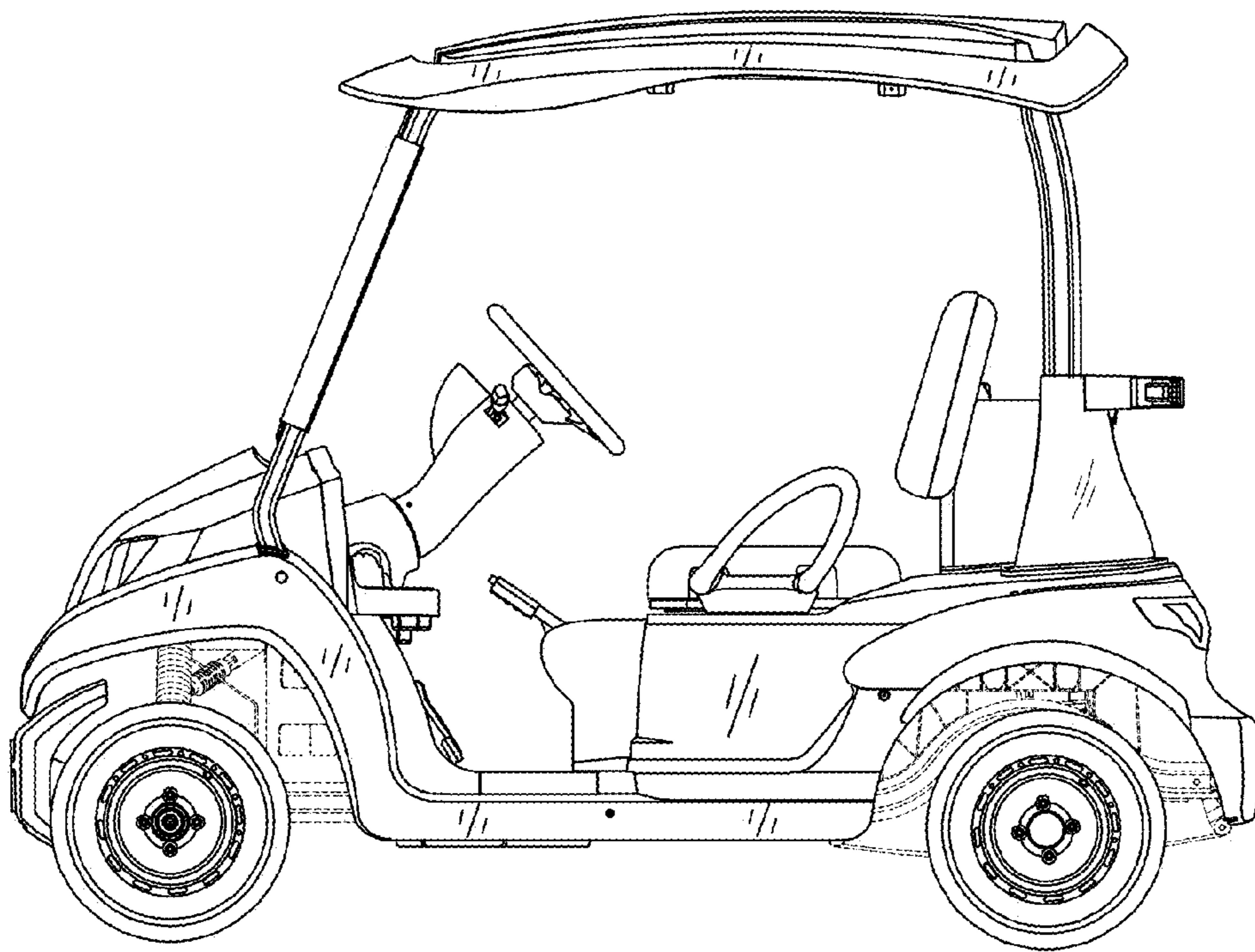


FIG. 4

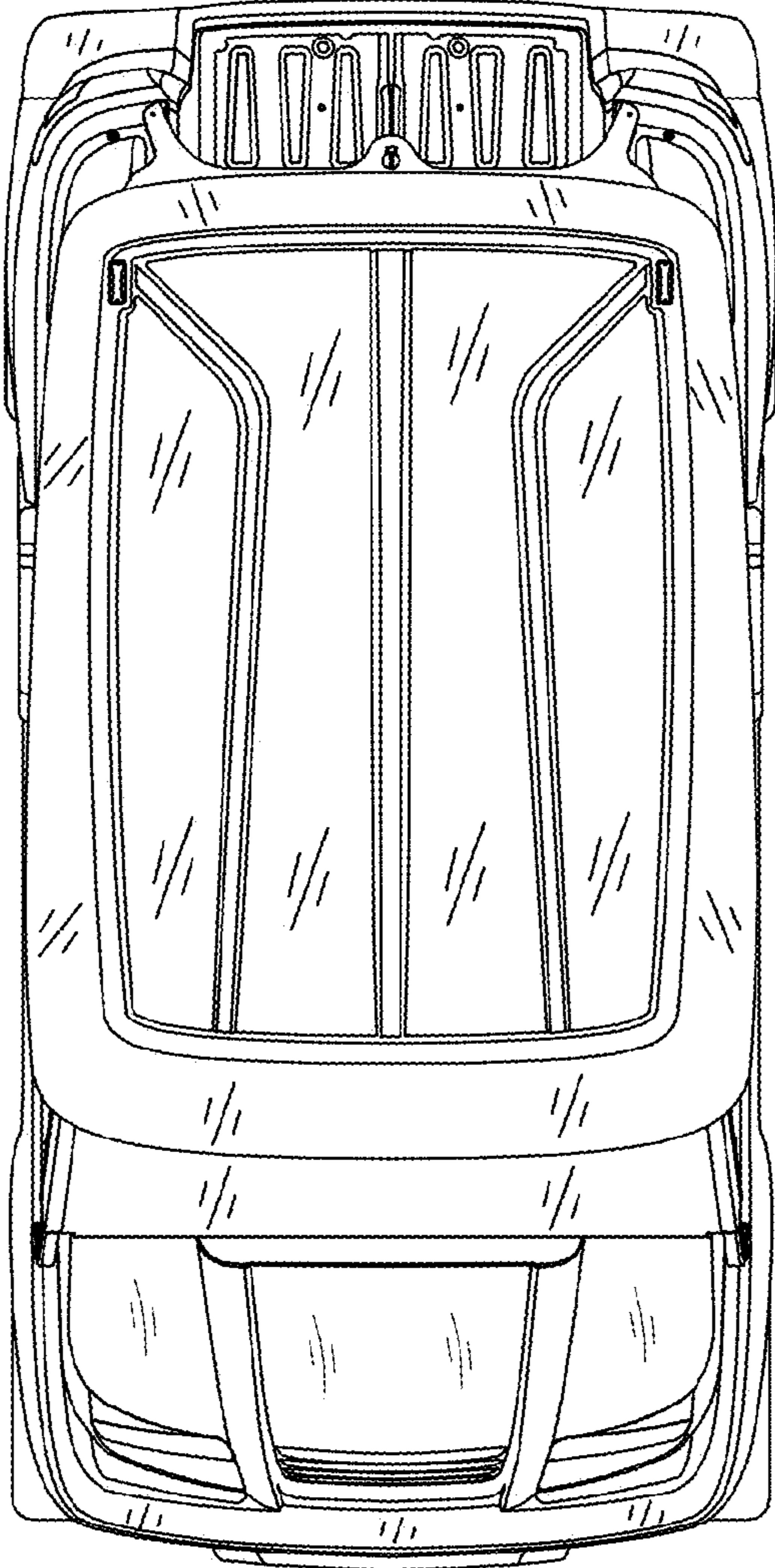


FIG. 5

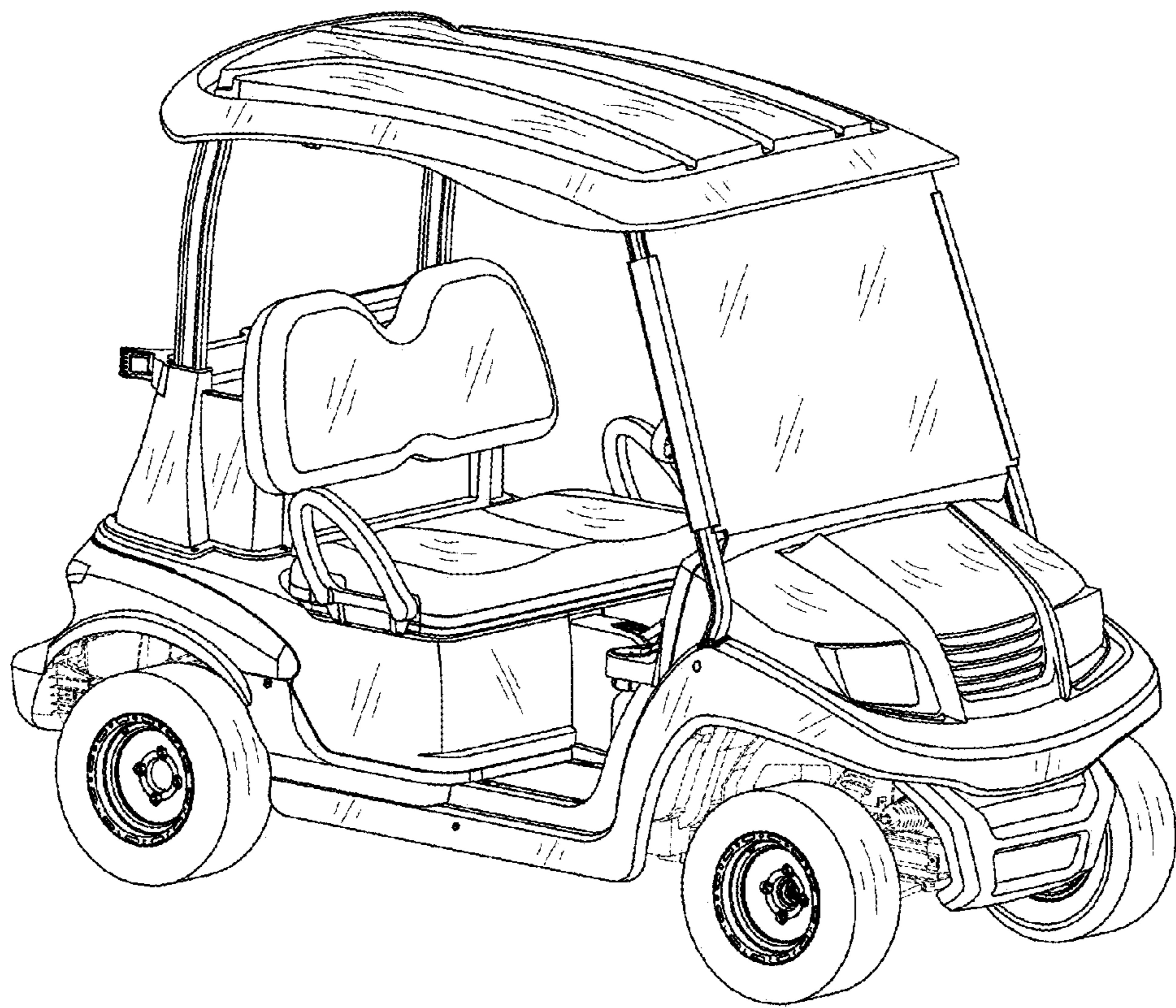


FIG. 6

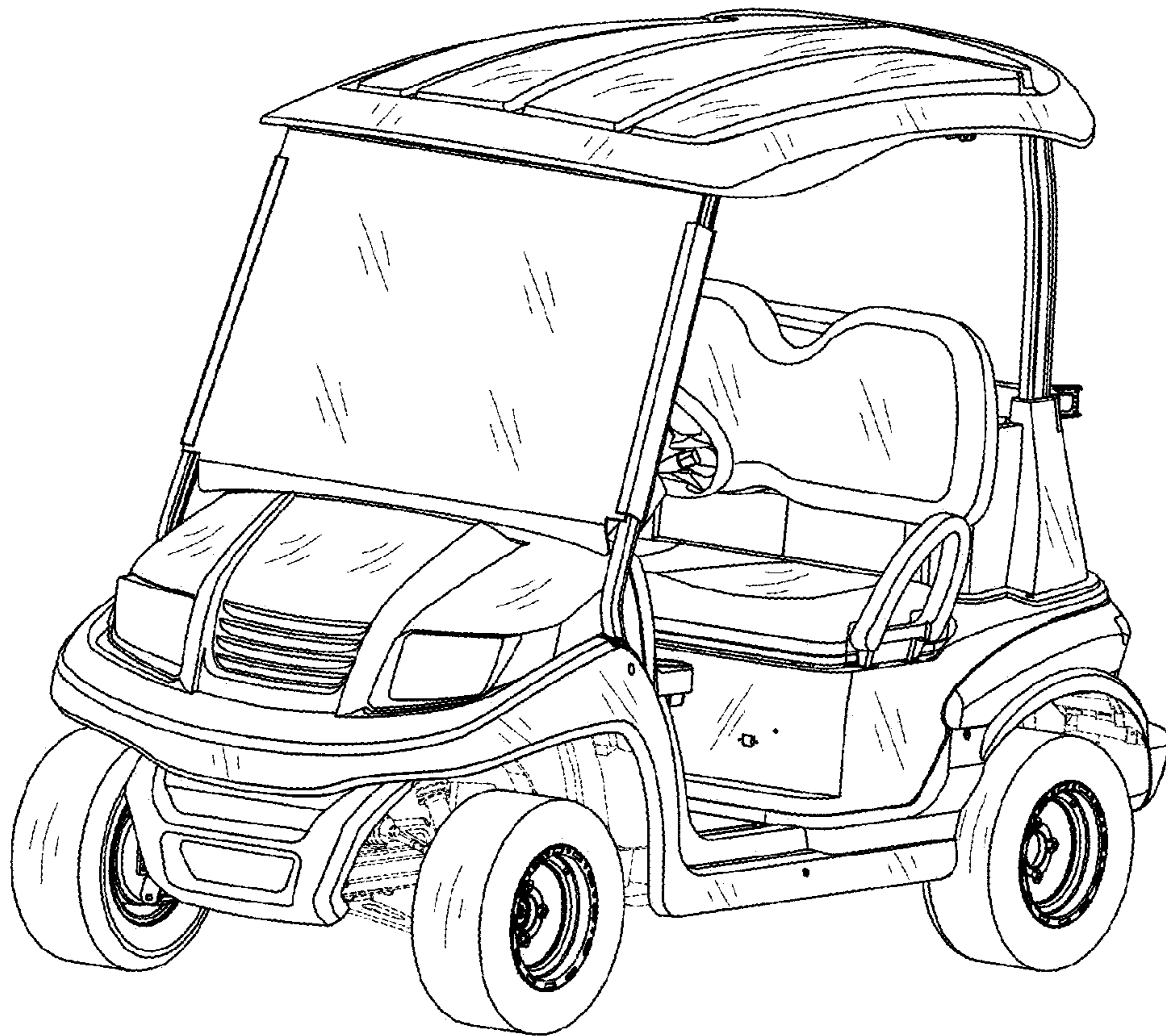


FIG. 7



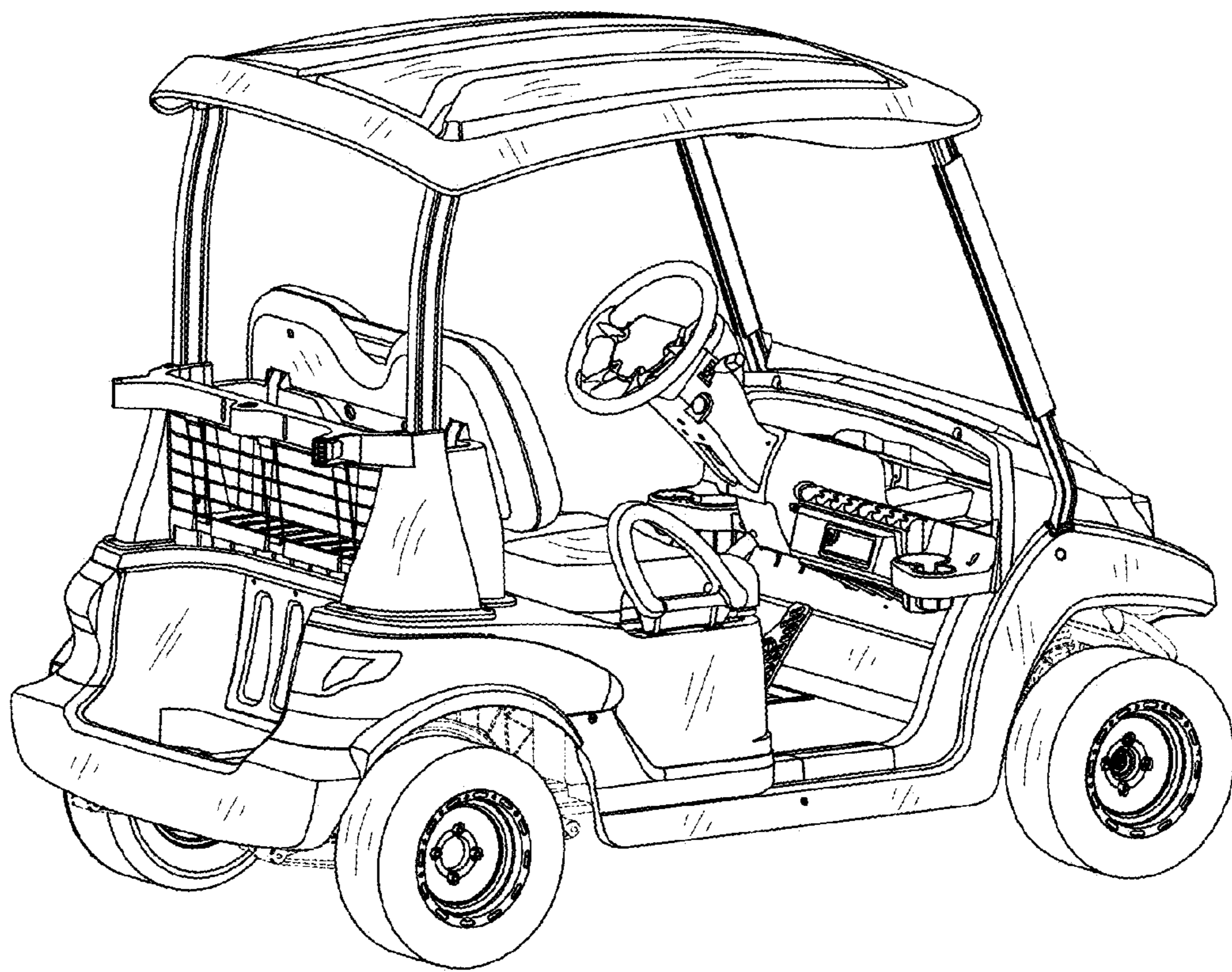


FIG. 8

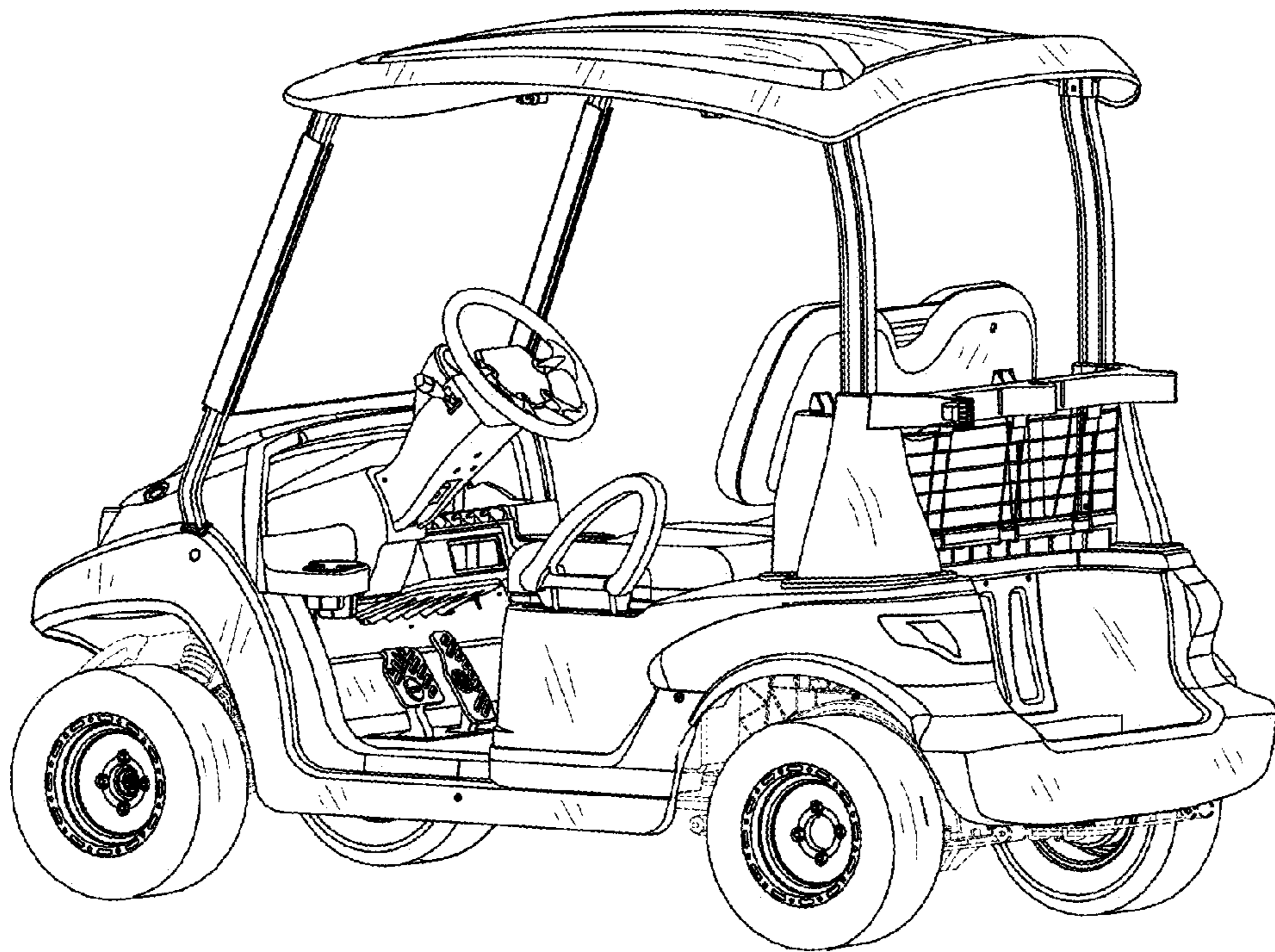


FIG. 9