



US00D721010S

(12) **United States Design Patent**
Spater

(10) **Patent No.:** **US D721,010 S**

(45) **Date of Patent:** **** Jan. 13, 2015**

(54) **NESTING BUCKLE**

Primary Examiner — Ralf Seifert

(71) Applicant: **Christopher B Spater**, Exeter, NH (US)

(72) Inventor: **Christopher B Spater**, Exeter, NH (US)

(57) **CLAIM**

The ornamental design for a nesting buckle, as shown and described.

(**) Term: **14 Years**

(21) Appl. No.: **29/457,014**

(22) Filed: **Jun. 6, 2013**

DESCRIPTION

(51) **LOC (10) Cl.** **02-07**

(52) **U.S. Cl.**
USPC **D11/218**

(58) **Field of Classification Search**

CPC A44B 11/00; A44B 11/2526
USPC 24/163 R, 169–171, 173, 177–179, 191,
24/194–195, 197, 200, 614–616, 625, 198,
24/578.11, 578.1, 163 K, 114, 455, 573.11,
24/598.2; D8/394, 395

See application file for complete search history.

FIG. 1 shows a perspective view of my design for a nesting buckle;

FIG. 2 is an exploded perspective view thereof;

FIG. 3 is a top view of a first component, bottom view being a mirror image thereof;

FIG. 4 is a front view of a first component, back view being a mirror image thereof;

FIG. 5 is a left side view of a first component, the right side view being a mirror image thereof;

FIG. 6 is a top view of a second component, bottom view being a mirror image thereof;

FIG. 7 is a front view of a second component, back view being a mirror image thereof;

FIG. 8 is a left side view of a second component, the right side view being a mirror image thereof;

FIG. 9 is an exploded top view of a first and second component thereof;

FIG. 10 is a top view of a first and second component thereof;

FIG. 11 is a front view of a first and second component thereof, back view being a mirror image thereof;

FIG. 12 is a left side view of a first and second component, the right side being a mirror image thereof; and,

FIG. 13 is a bottom view of a first and second component thereof.

The broken lines shown of the webbing is for illustrative purposes only and form no part of the claimed design.

The nesting buckle of the present invention is designed to attach to a piece of webbing and can be used as a buckle to connect two pieces of webbing.

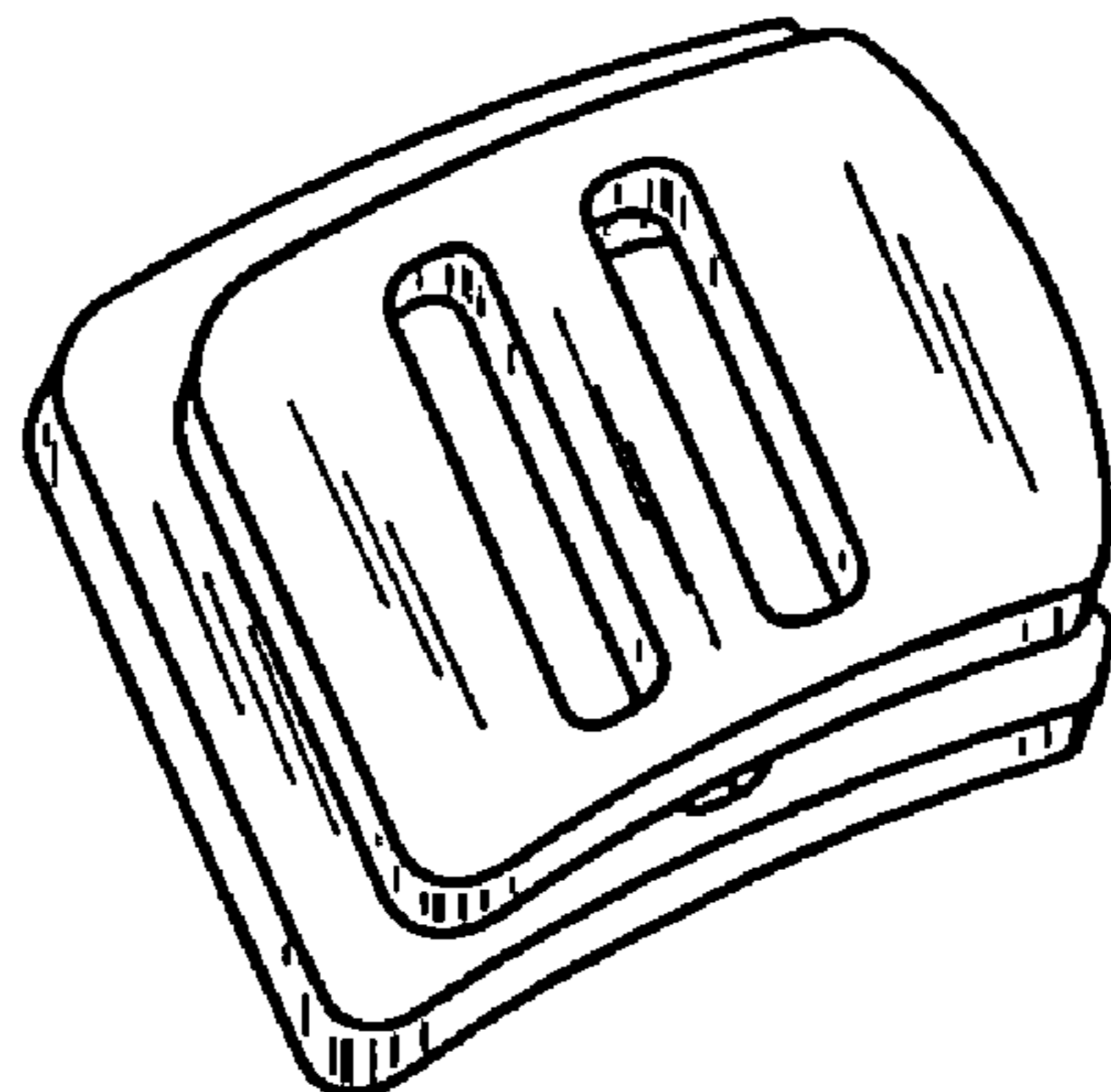
(56) **References Cited**

U.S. PATENT DOCUMENTS

686,934	A *	11/1901	Clark	24/168
1,434,312	A	11/1922	Penney		
1,494,610	A	5/1924	McGlashan		
1,776,614	A	9/1930	Bauer		
1,831,496	A	11/1931	Jasina		
D133,265	S *	8/1942	Kasen	D11/218
2,807,852	A *	10/1957	Rave	24/197
2,893,094	A	7/1959	Heckethorn		
3,081,506	A	3/1963	Higuchi		
3,277,543	A *	10/1966	Gaylord	24/193
4,299,014	A *	11/1981	Wood	24/197
D269,389	S	6/1983	Wood		
D274,862	S	7/1984	Fildan		
D418,449	S	1/2000	Lawrence, Jr.		
D472,499	S	4/2003	Valle		
D536,639	S	2/2007	Fildan et al.		
D550,354	S	9/2007	Raya		
D622,178	S *	8/2010	Kelleghan	D11/201
8,056,191	B2 *	11/2011	Crye et al.	24/197

* cited by examiner

1 Claim, 3 Drawing Sheets



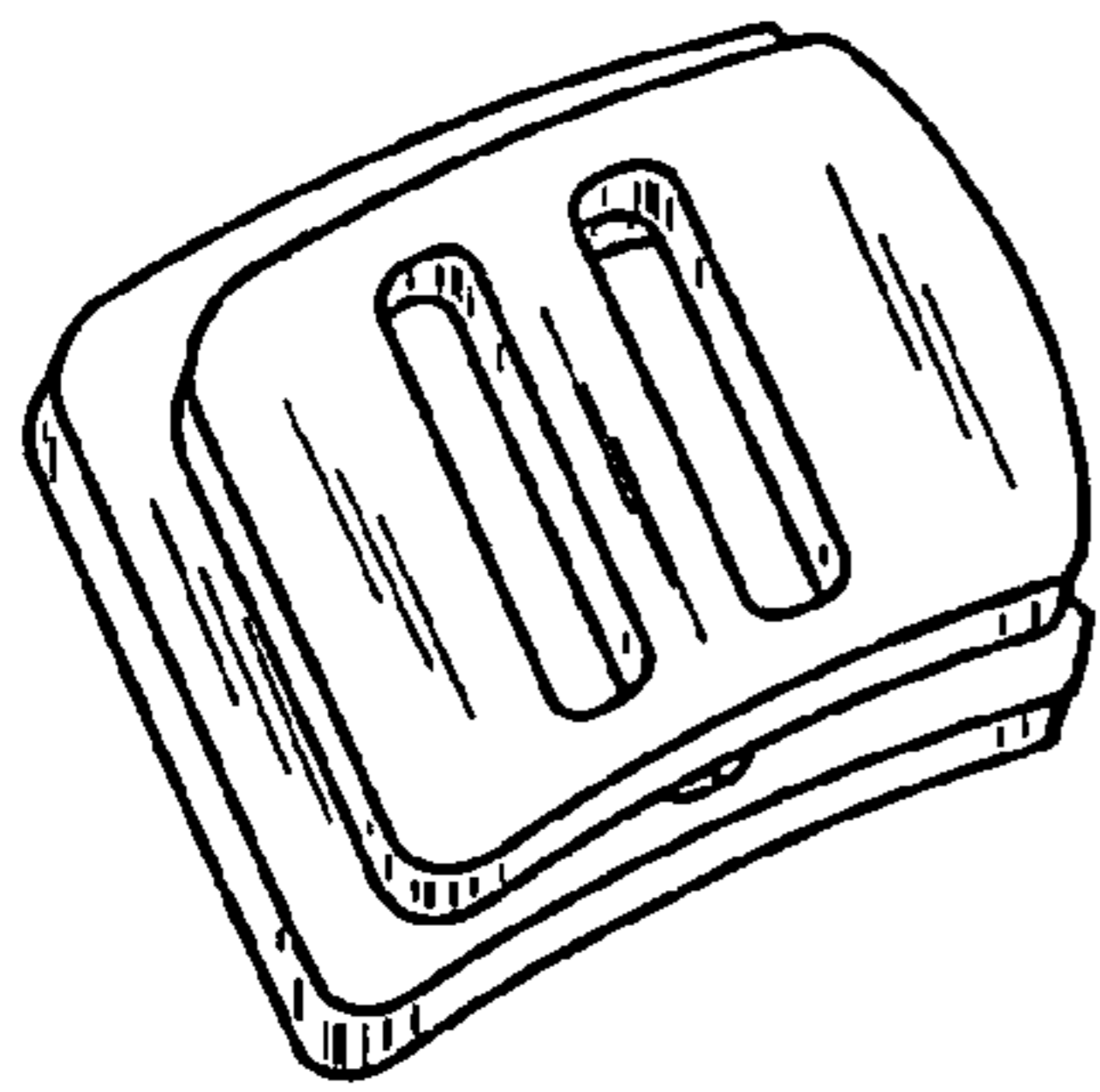


FIG. 1

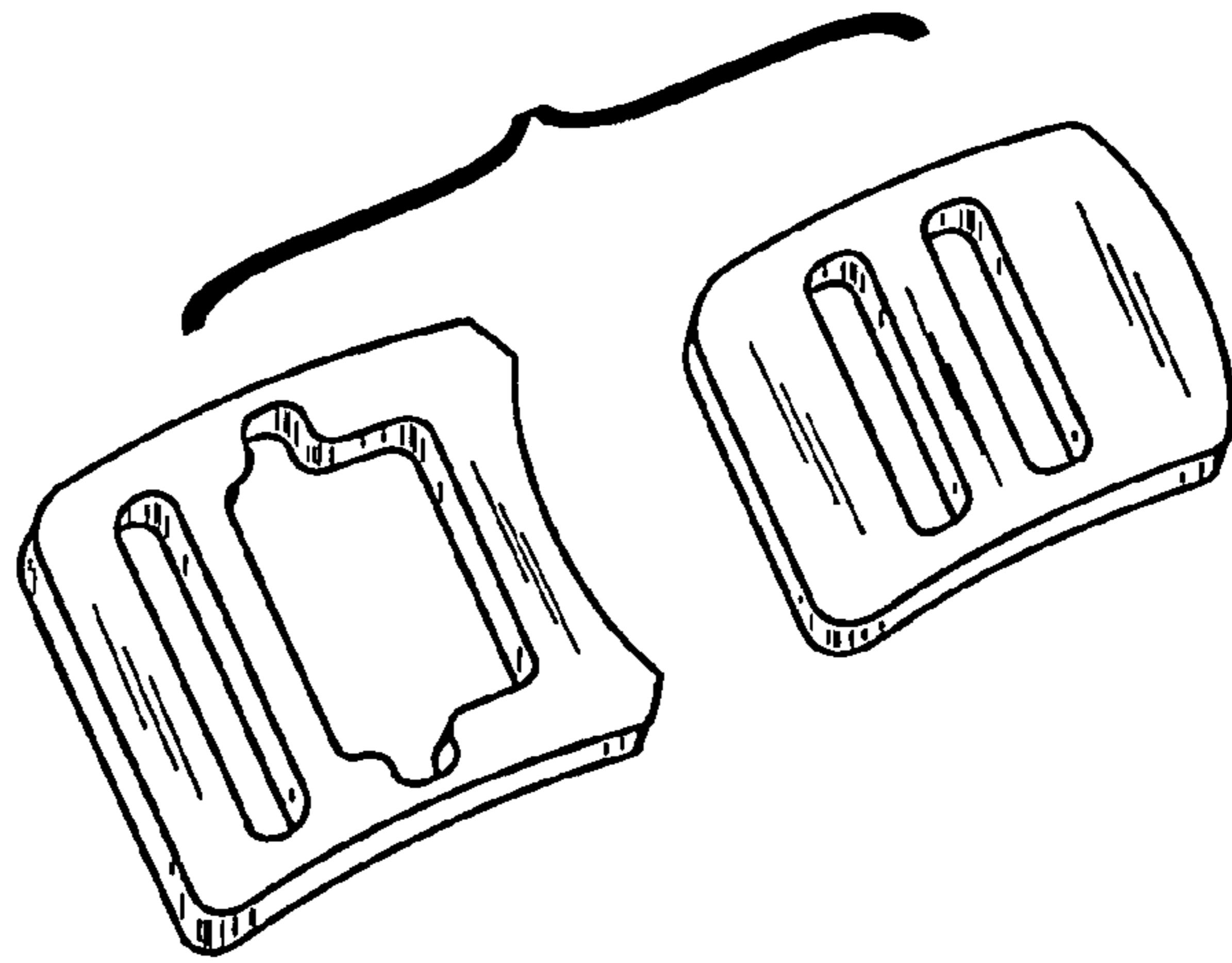


FIG. 2

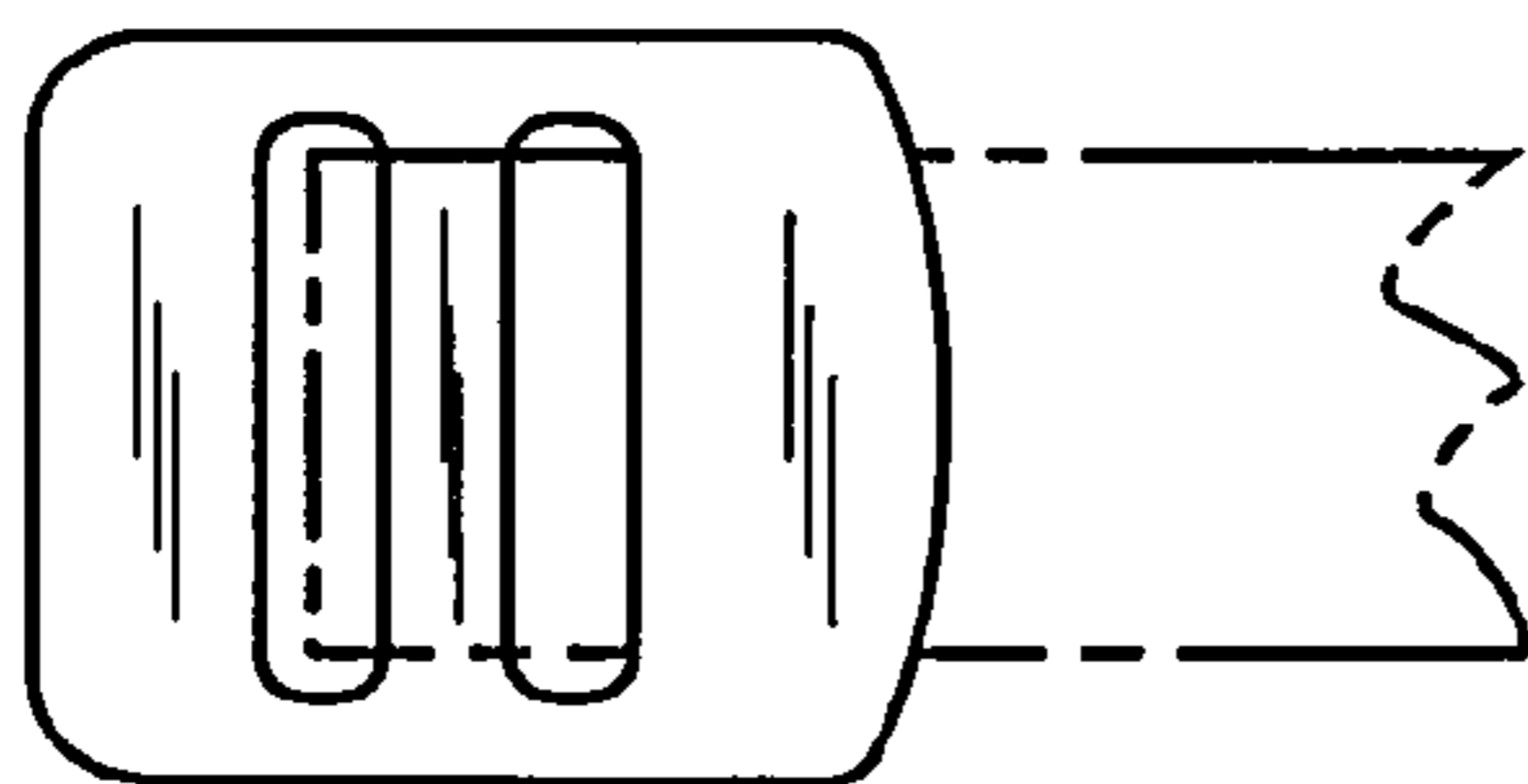


FIG. 3



FIG. 4



FIG. 5

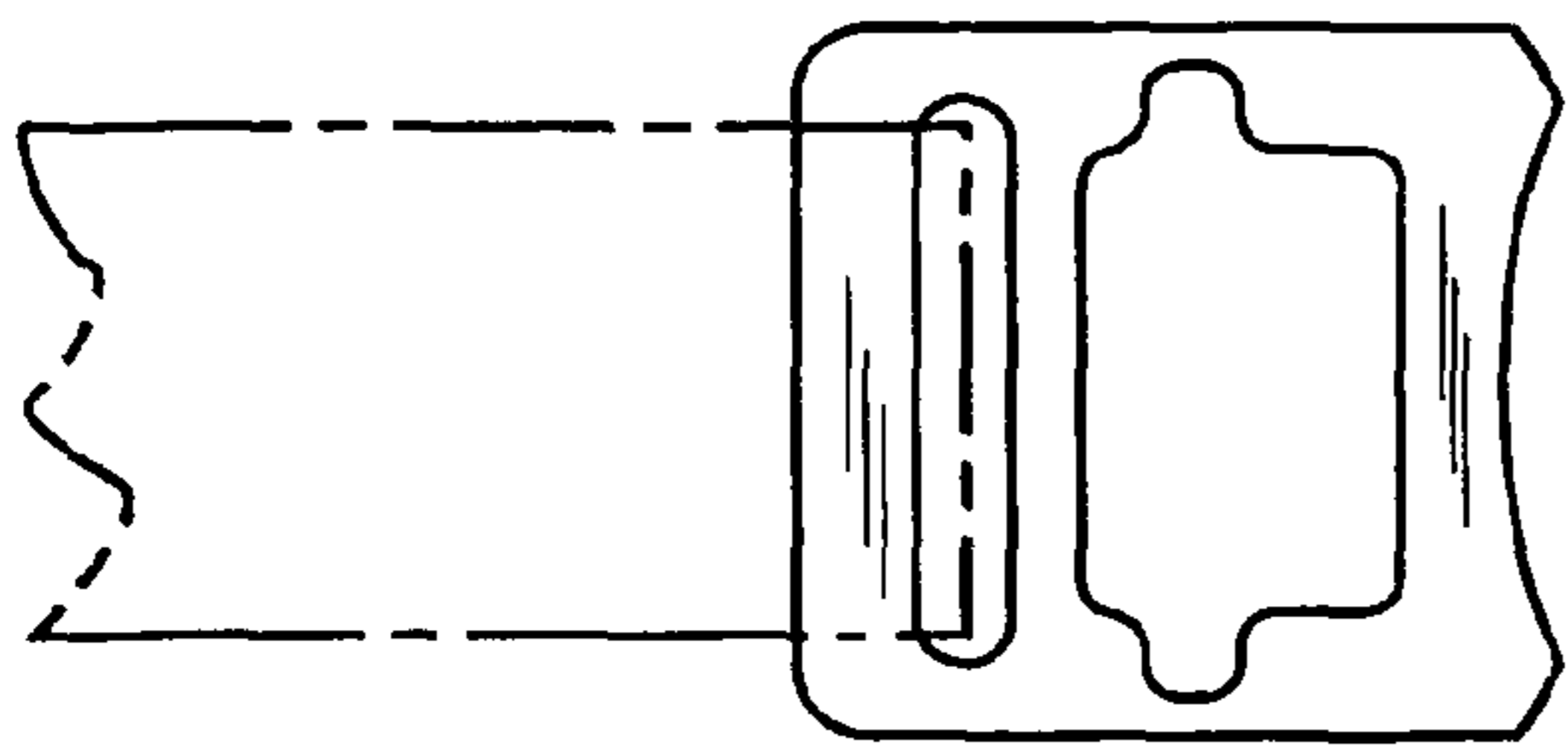


FIG. 6



FIG. 7

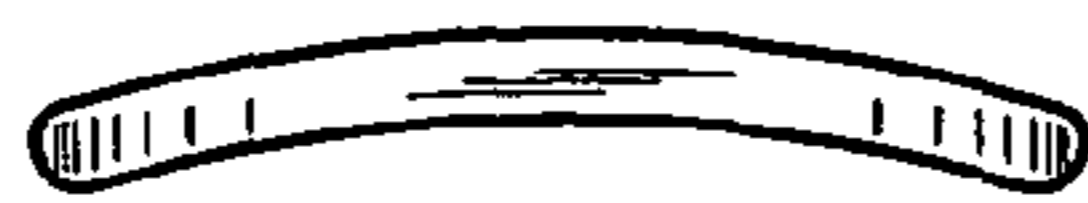


FIG. 8

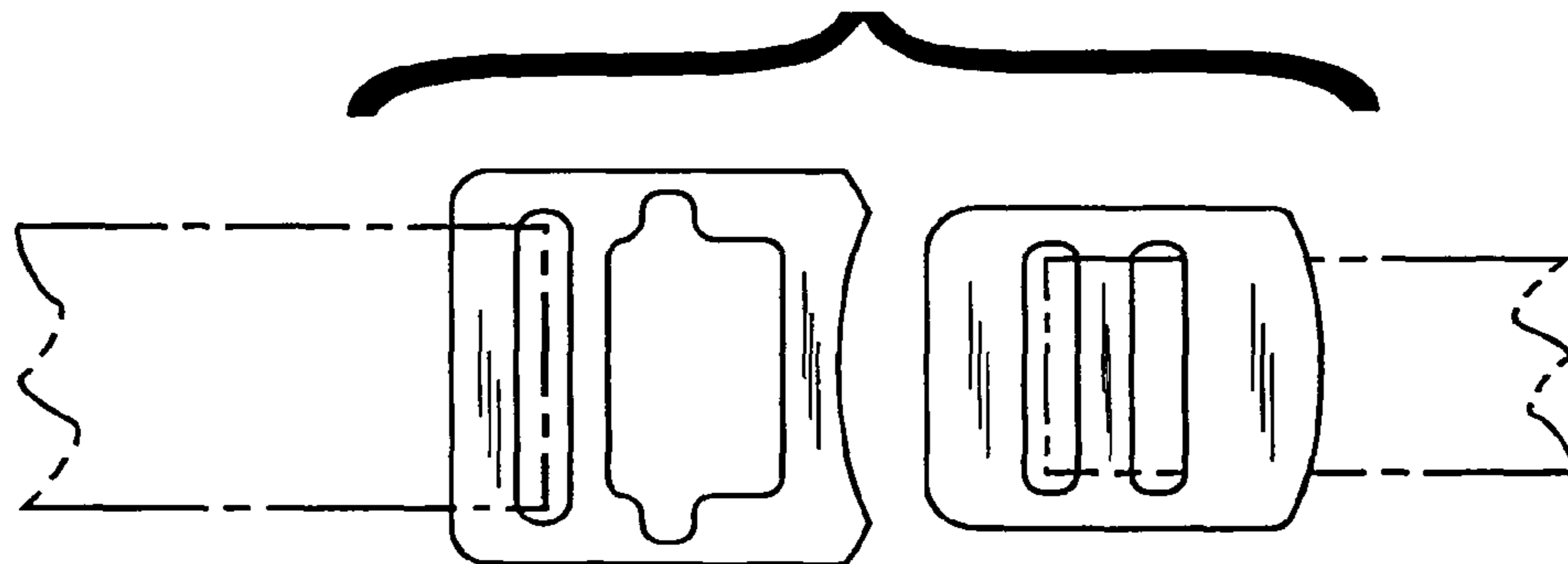


FIG. 9

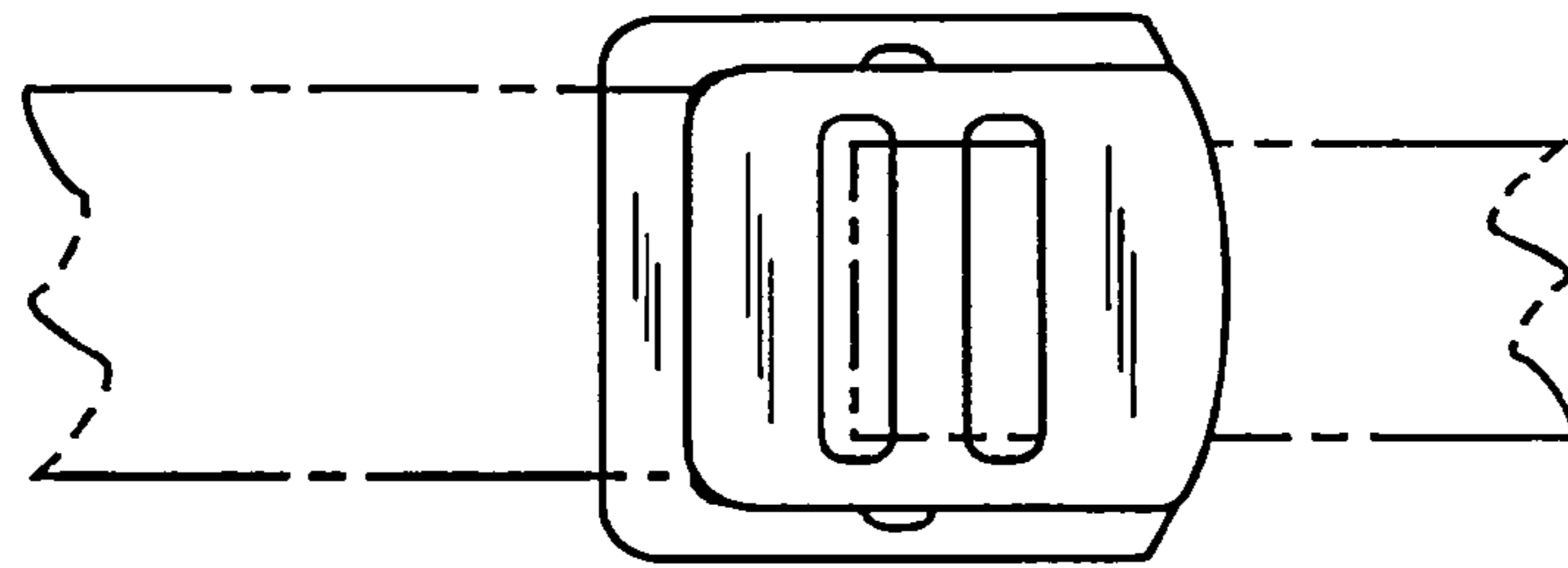


FIG. 10



FIG. 11

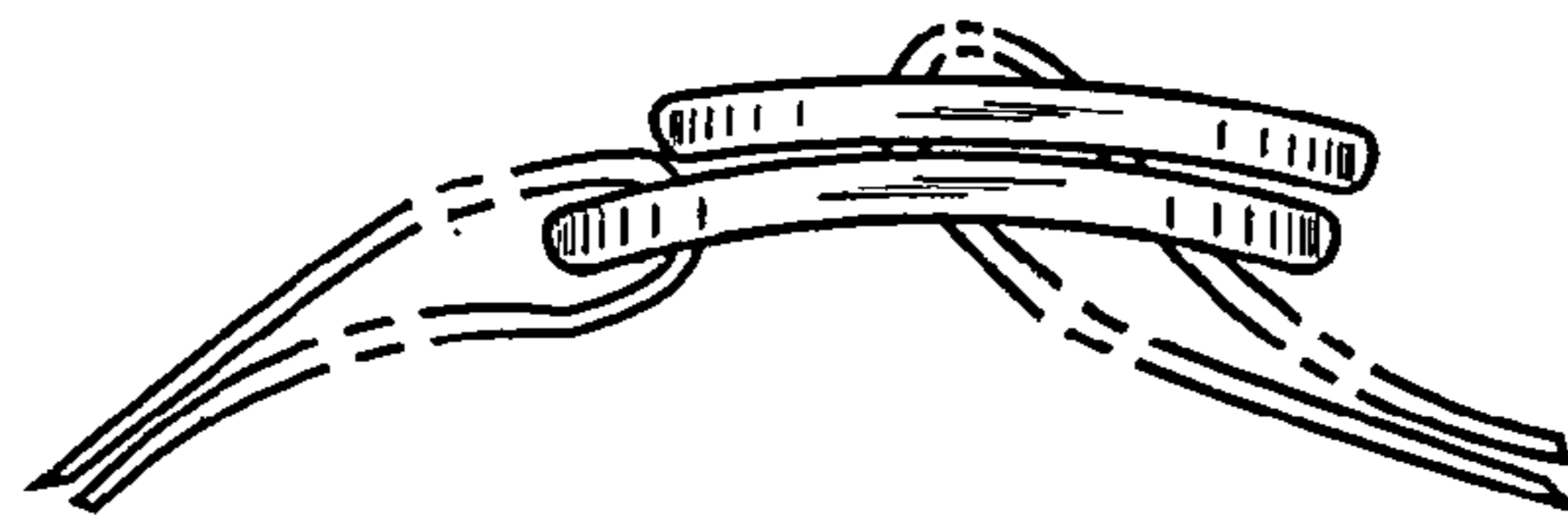


FIG. 12

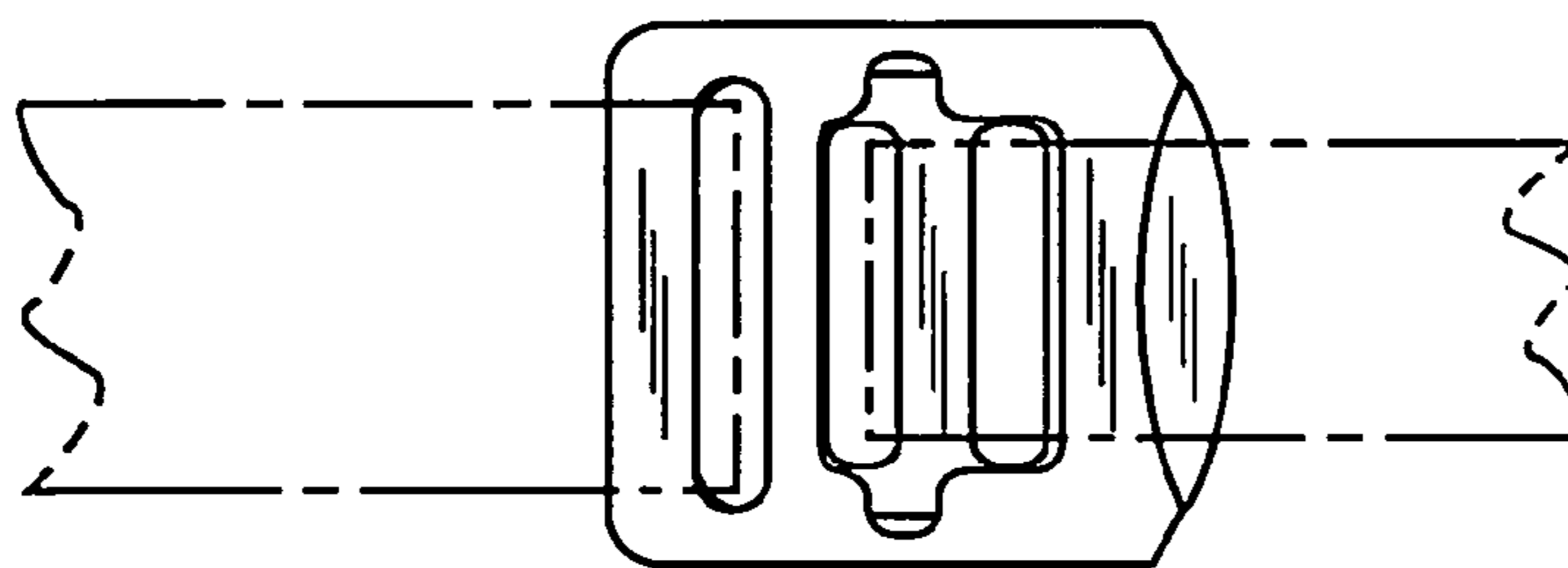


FIG. 13