



US00D721002S

(12) **United States Design Patent**  
**Takahashi**

(10) **Patent No.:** **US D721,002 S**  
(45) **Date of Patent:** **\*\* Jan. 13, 2015**

- (54) **WRIST WATCH CASE**
- (71) Applicants: **Citizen Holdings Co., Ltd.**, Tokyo (JP);  
**Citizen Watch Co., Ltd.**, Tokyo (JP)
- (72) Inventor: **Yasushi Takahashi**, Tokyo (JP)
- (73) Assignees: **Citizen Holdings Co., Ltd.**, Tokyo (JP);  
**Citizen Watch Co., Ltd.**, Tokyo (JP)
- (\*\*) Term: **14 Years**
- (21) Appl. No.: **29/485,968**
- (22) Filed: **Mar. 25, 2014**
- (51) **LOC (10) Cl.** ..... **10-07**
- (52) **U.S. Cl.**  
USPC ..... **D10/128; D10/132**
- (58) **Field of Classification Search**  
USPC ..... D10/30-39, 131, 132, 128; 368/276,  
368/281, 282, 285, 288, 289, 290, 301, 306,  
368/308, 316, 319, 302  
See application file for complete search history.

D569,276 S	5/2008	Scheufele	
D569,742 S *	5/2008	Scheufele	D10/39
D576,054 S *	9/2008	Vaptzarof	D10/38
D582,793 S *	12/2008	Lalo	D10/38
D586,242 S *	2/2009	Schoepfer	D10/39
7,494,270 B2 *	2/2009	Hiranuma et al.	368/288
D591,180 S	4/2009	Monachon	
D598,301 S *	8/2009	Moritz	D10/32
D598,303 S	8/2009	Jorst et al.	
D611,843 S	3/2010	Jorst et al.	
D616,783 S *	6/2010	Chastaingt	D10/128
D621,284 S	8/2010	Cerrato	
D629,706 S *	12/2010	Furetta	D10/32
D632,979 S	2/2011	Chastaingt	
D640,576 S *	6/2011	Nashimoto	D10/38
D656,844 S *	4/2012	Clerc	D10/38
D671,014 S	11/2012	Monachon	

(Continued)

**FOREIGN PATENT DOCUMENTS**

- JP D1351012 2/2012
- Primary Examiner* — Lucy Lieberman
- (74) *Attorney, Agent, or Firm* — RatnerPrestia

(57) **CLAIM**

The ornamental design for a wrist watch case, as shown and described.

**DESCRIPTION**

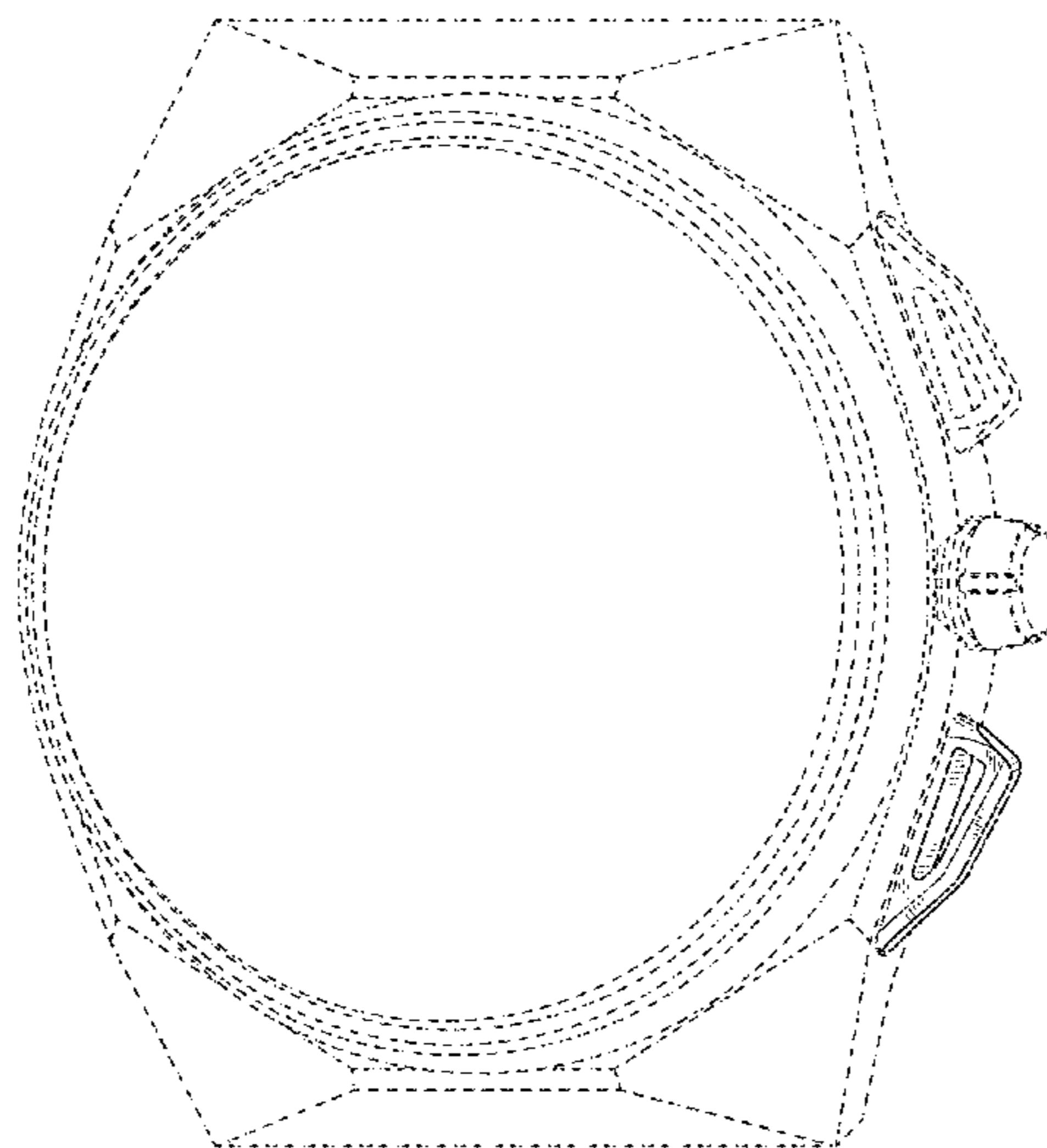
FIG. 1 is a perspective view of a wrist watch case showing my new design;  
 FIG. 2 is a front elevational view thereof;  
 FIG. 3 is a left side elevational view thereof;  
 FIG. 4 is a right side elevational view thereof;  
 FIG. 5 is a rear elevational view thereof;  
 FIG. 6 is a top plan view thereof; and,  
 FIG. 7 is a bottom plan view thereof.  
 The broken lines shown in the drawings are for illustrative purposes only and form no part of the claimed design.

**1 Claim, 4 Drawing Sheets**

(56) **References Cited**

**U.S. PATENT DOCUMENTS**

D278,605 S	4/1985	Didisheim	
4,945,523 A	7/1990	Lam	
D325,351 S *	4/1992	Alberti	D10/30
D332,408 S *	1/1993	Chodat et al.	D10/30
D338,838 S	8/1993	Byrne	
D391,174 S *	2/1998	Modolo	D10/32
D402,566 S *	12/1998	Moriai	D10/30
D418,427 S *	1/2000	Fichter	D10/30
D430,807 S *	9/2000	Moriai	D10/30
D451,820 S	12/2001	Sugisawa	
D457,074 S *	5/2002	Berri et al.	D10/30
D479,135 S	9/2003	Emmenegger	
D490,722 S	6/2004	Weismann et al.	
D507,498 S *	7/2005	Hung	D10/31
D554,542 S *	11/2007	Laucella et al.	D10/39
D568,176 S	5/2008	Monachon	



(56)

**References Cited**

U.S. PATENT DOCUMENTS

D672,665 S \* 12/2012 Deleskiewicz et al. .... D10/38  
D684,485 S 6/2013 Padron  
D694,656 S \* 12/2013 Inoue ..... D10/38  
D700,072 S \* 2/2014 Arellano ..... D10/38

D701,465 S \* 3/2014 Ganz ..... D10/38  
D704,574 S \* 5/2014 Lasserre ..... D10/39  
D705,084 S 5/2014 Emmenegger et al.  
D705,087 S \* 5/2014 Monachon ..... D10/39  
D707,571 S 6/2014 Cerrato  
D707,581 S \* 6/2014 Cerrato ..... D10/131  
2011/0085424 A1 4/2011 El Kadiri

\* cited by examiner

FIG. 1

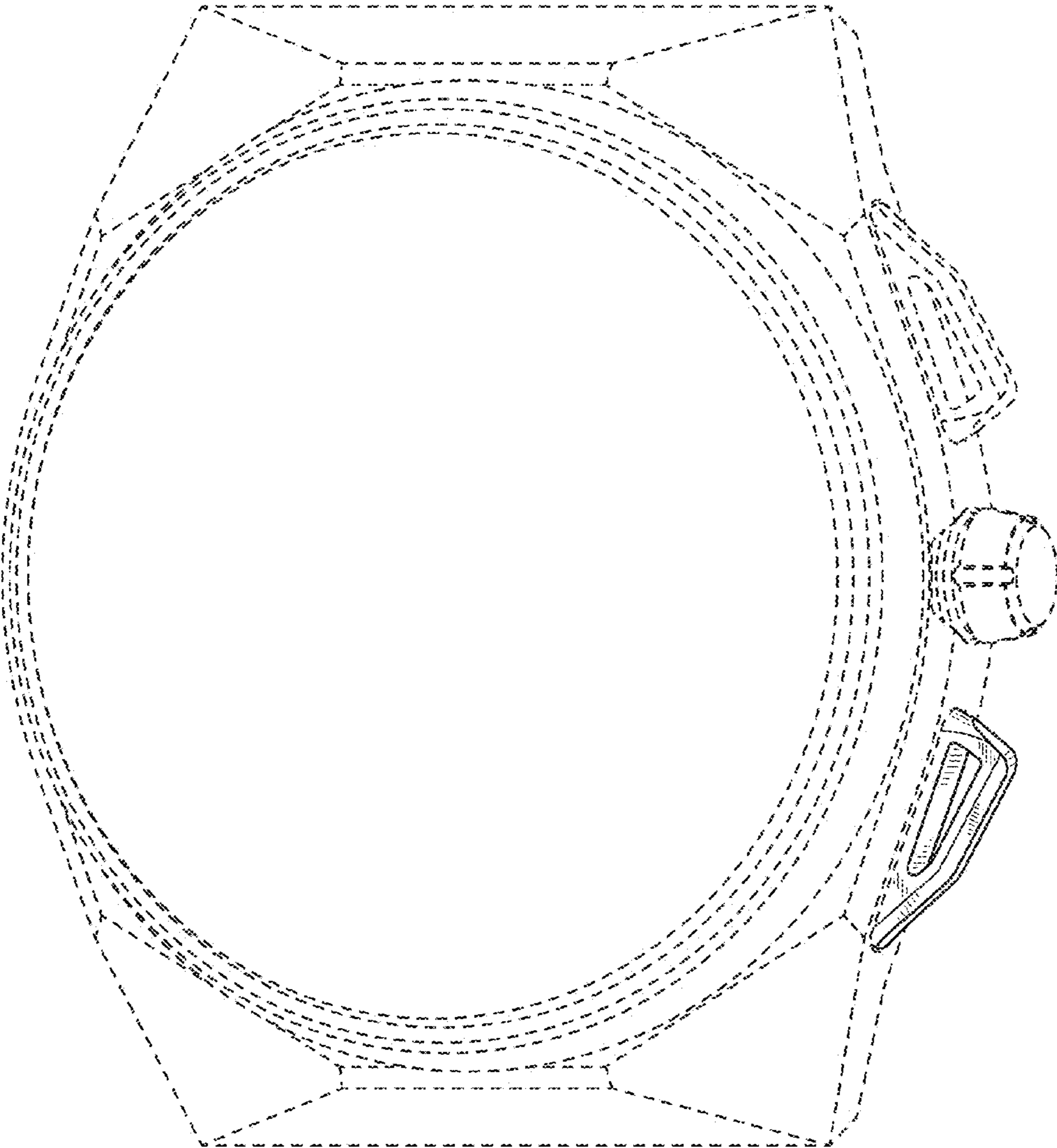


FIG. 2

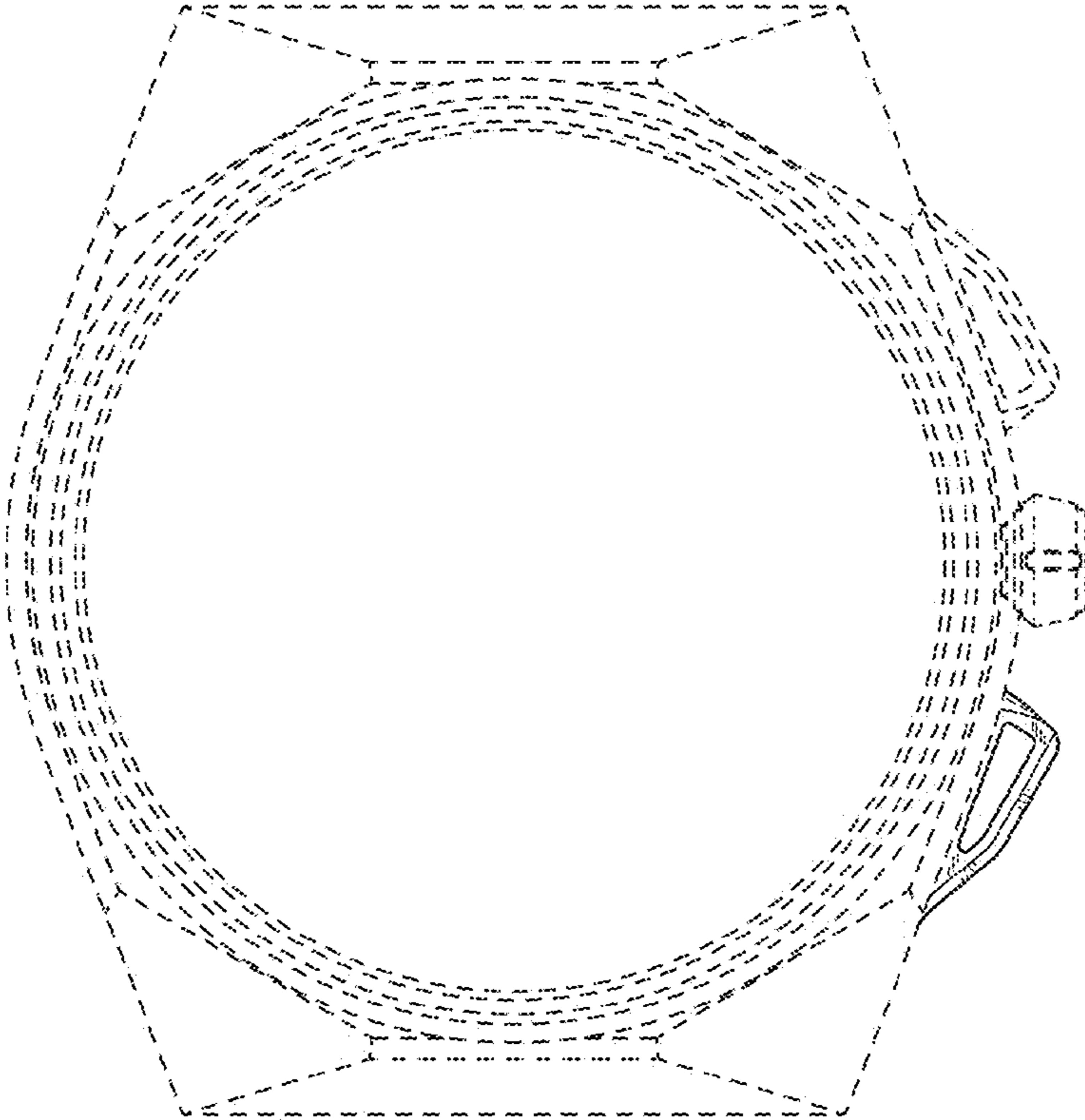


FIG. 3

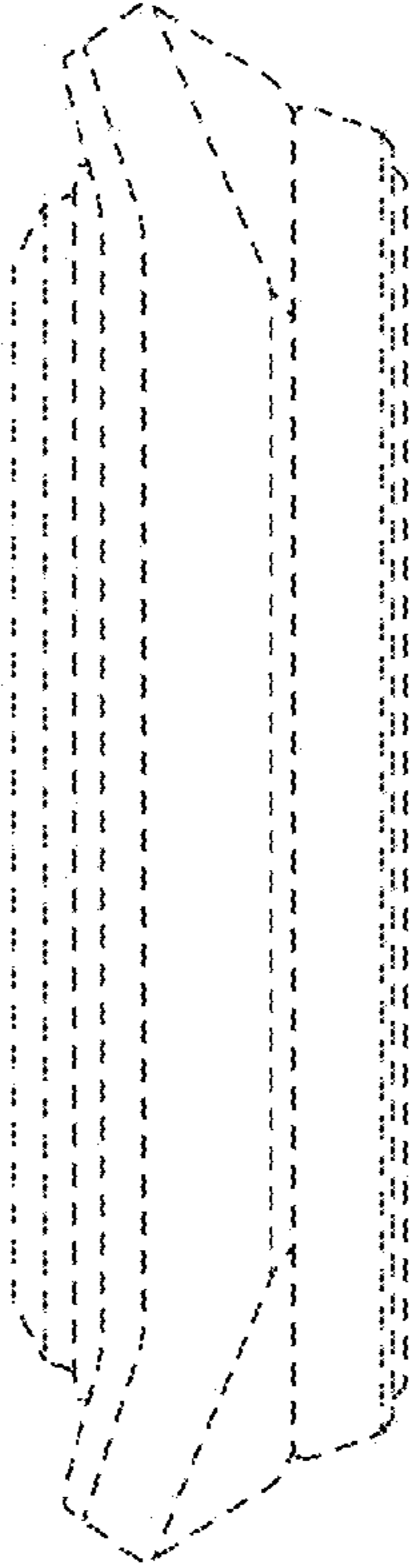


FIG. 4

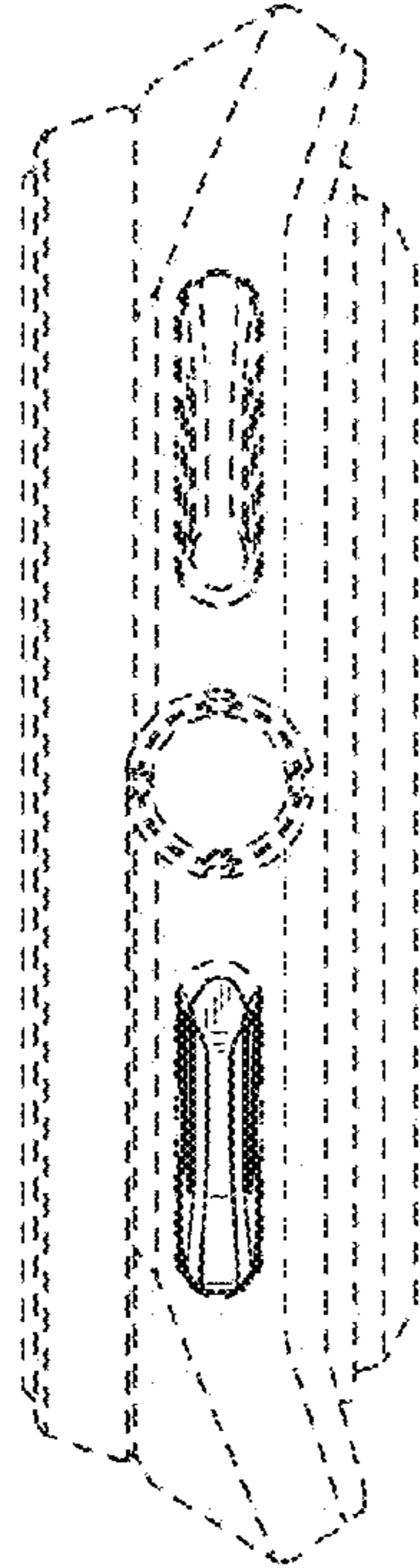


FIG. 5

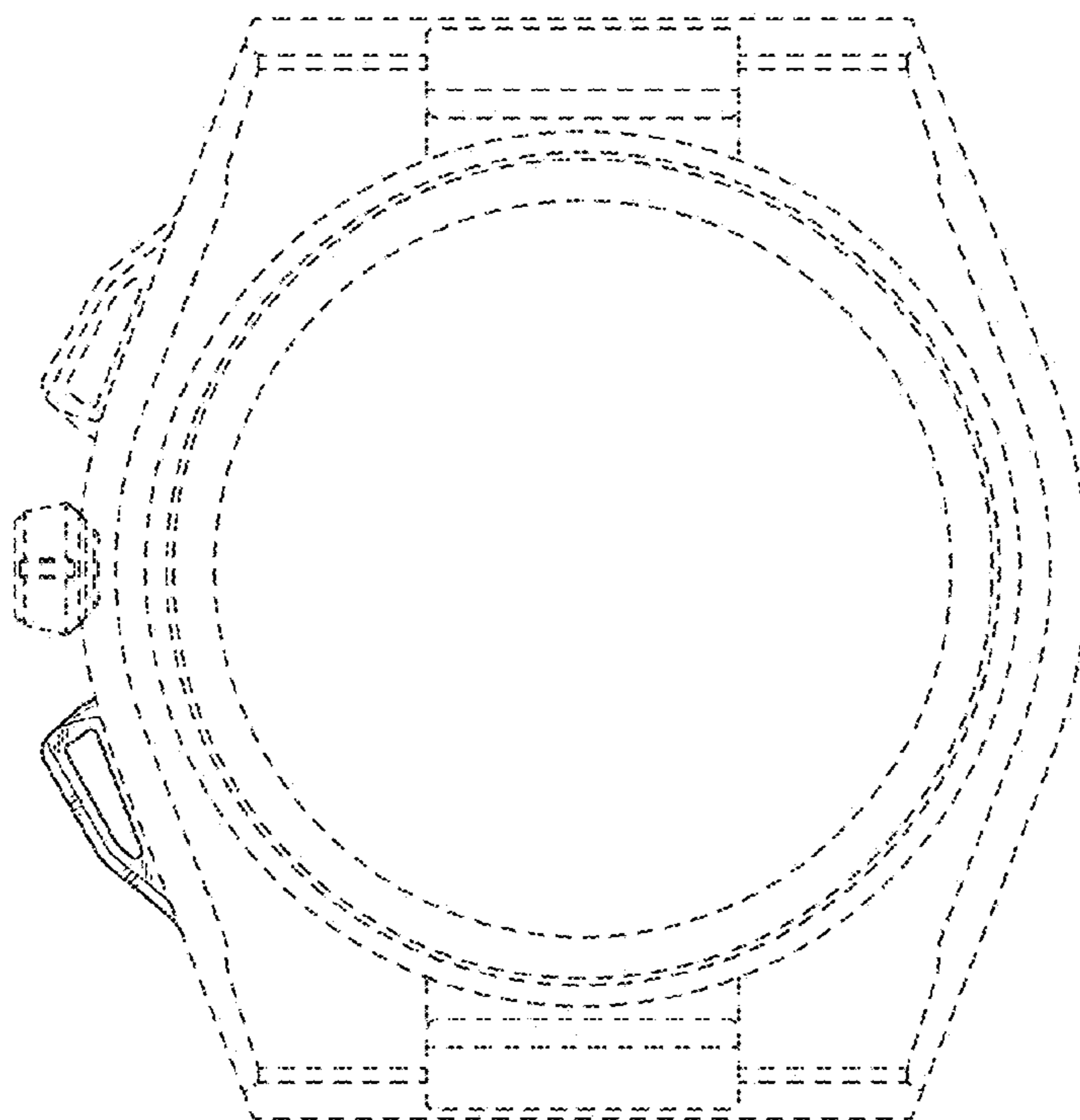


FIG. 6

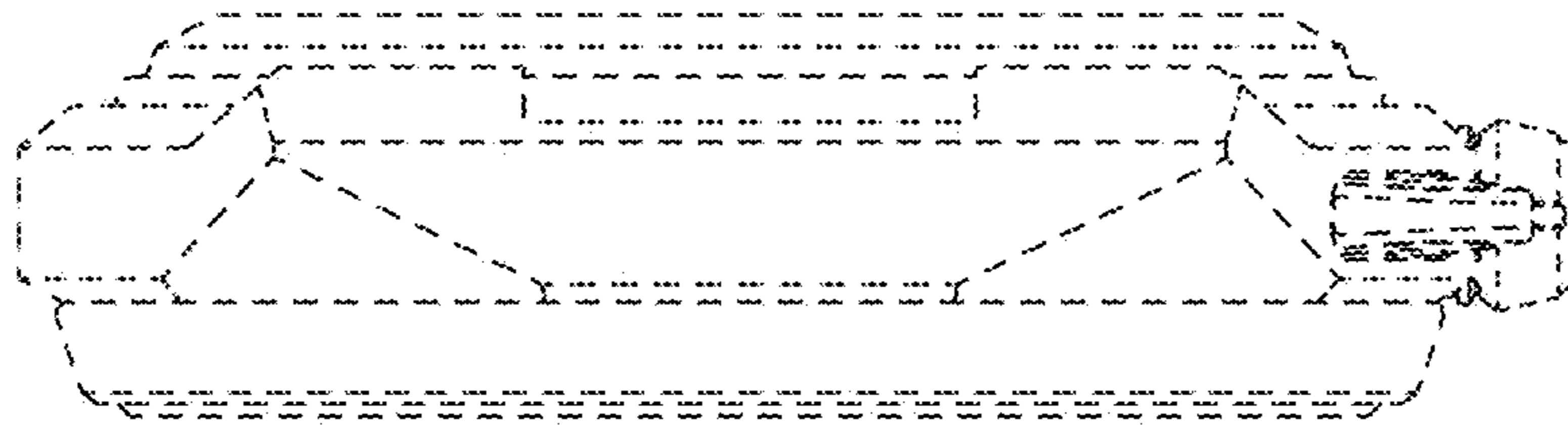


FIG. 7

