



US00D720999S

(12) **United States Design Patent**  
**Chang et al.**

(10) **Patent No.:** **US D720,999 S**  
(45) **Date of Patent:** **\*\* Jan. 13, 2015**

(54) **MICROSCOPE MEASUREMENT APPARATUS**

(56)

**References Cited**

(71) Applicant: **Hon Hai Precision Industry Co., Ltd.**,  
New Taipei (TW)

(72) Inventors: **Chih-Kuang Chang**, New Taipei (TW);  
**Li Jiang**, Shenzhen (CN); **Dong-Hai Li**,  
Shenzhen (CN)

(73) Assignee: **Hon Hai Precision Industry Co., Ltd.**,  
New Taipei (TW)

(\*\*) Term: **14 Years**

(21) Appl. No.: **29/461,843**

(22) Filed: **Jul. 29, 2013**

(30) **Foreign Application Priority Data**

Jun. 27, 2013 (CN) ..... 2013 3 0297580

(51) **LOC (10) Cl.** ..... **10-04**

(52) **U.S. Cl.**  
USPC ..... **D10/63; D10/81**

(58) **Field of Classification Search**  
CPC ..... G01B 5/008; G01B 5/016; G01B 11/03;  
G01B 11/24; G05B 19/401; G05B 19/4207;  
G02B 21/082; G02B 21/241; G02B 21/0016;  
G02B 21/0076; G02B 21/086; G02B 21/16  
USPC ..... D10/63; 33/503–505, 558;  
382/106–127, 135–154

See application file for complete search history.

U.S. PATENT DOCUMENTS

7,599,073	B2 *	10/2009	Yoshiki	.....	356/614
8,303,125	B2 *	11/2012	Chang et al.	.....	362/6
8,559,119	B2 *	10/2013	Seifert	.....	359/821
8,650,767	B2 *	2/2014	Matsumiya et al.	.....	33/503
8,749,882	B2 *	6/2014	Kennedy	.....	359/385

\* cited by examiner

*Primary Examiner* — Antoine D Davis

(74) *Attorney, Agent, or Firm* — Novak Druce Connolly  
Bove + Quigg LLP

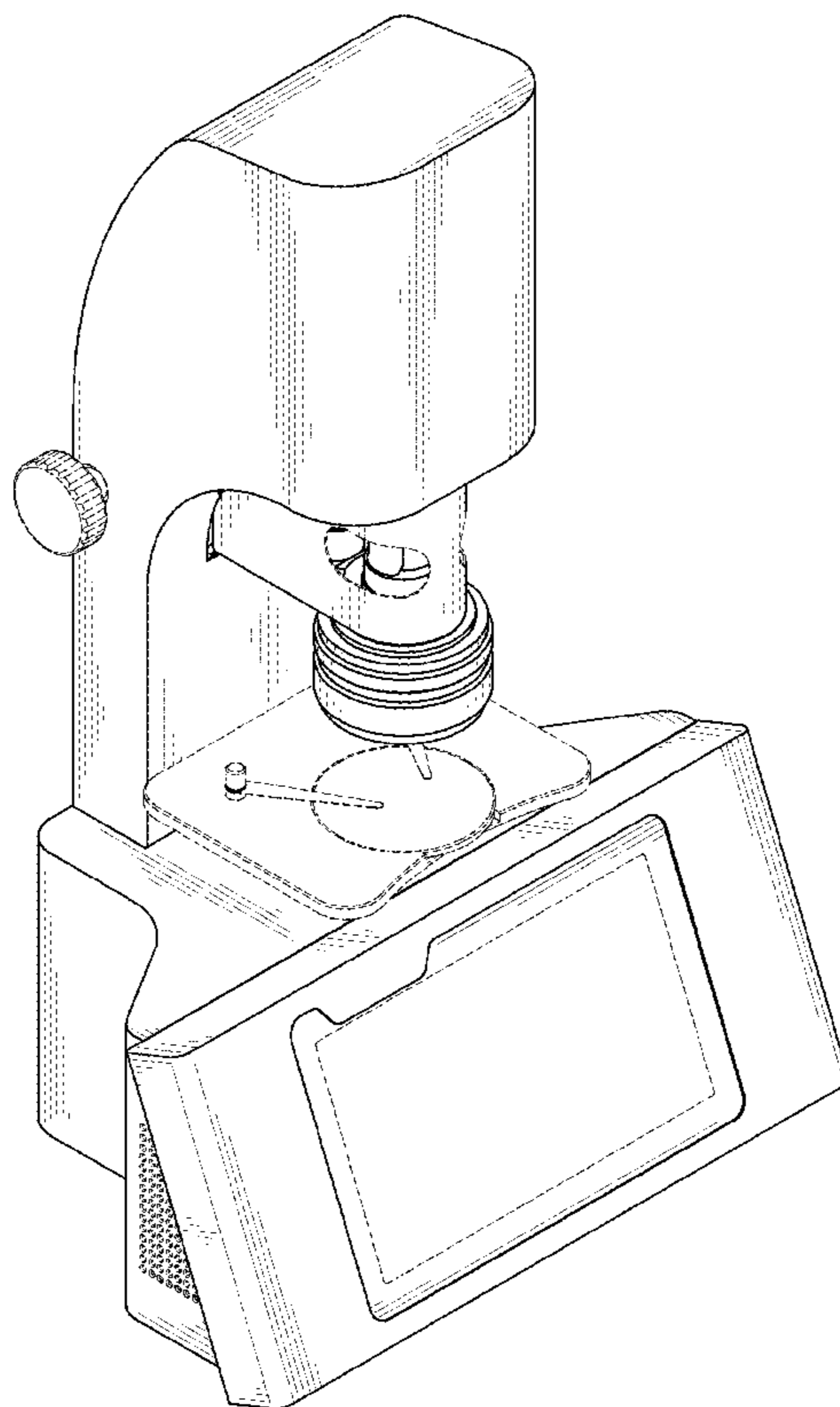
(57) **CLAIM**

The ornamental design for a microscope measurement apparatus, as shown and described.

**DESCRIPTION**

FIG. 1 is a perspective view of a microscope measurement apparatus showing our new design;  
FIG. 2 is a front elevational view thereof;  
FIG. 3 is a rear elevational view thereof;  
FIG. 4 is a left side elevational view thereof;  
FIG. 5 is a right side elevational view thereof;  
FIG. 6 is a top plan view thereof; and,  
FIG. 7 is a bottom plan view thereof.

**1 Claim, 7 Drawing Sheets**



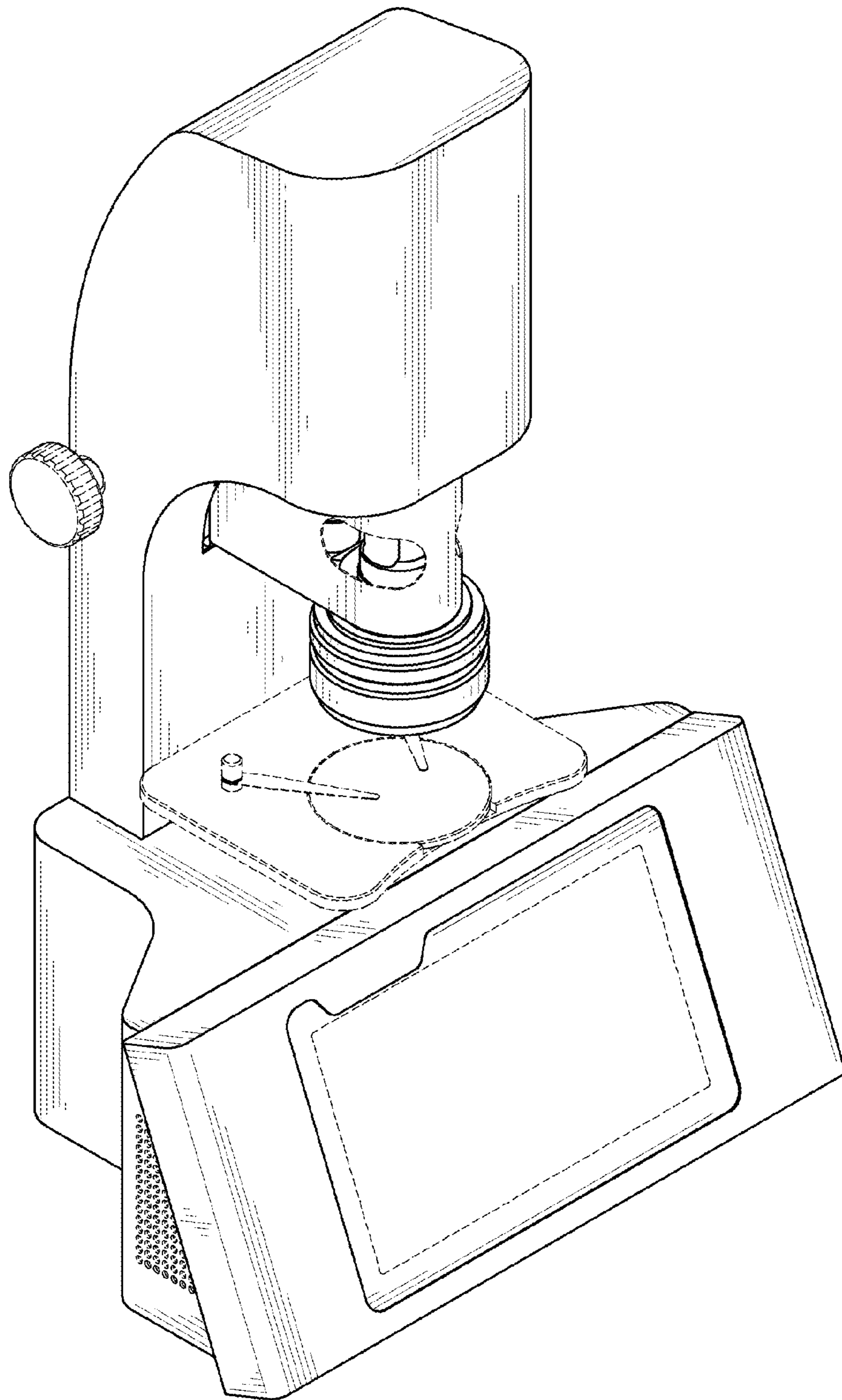


FIG. 1

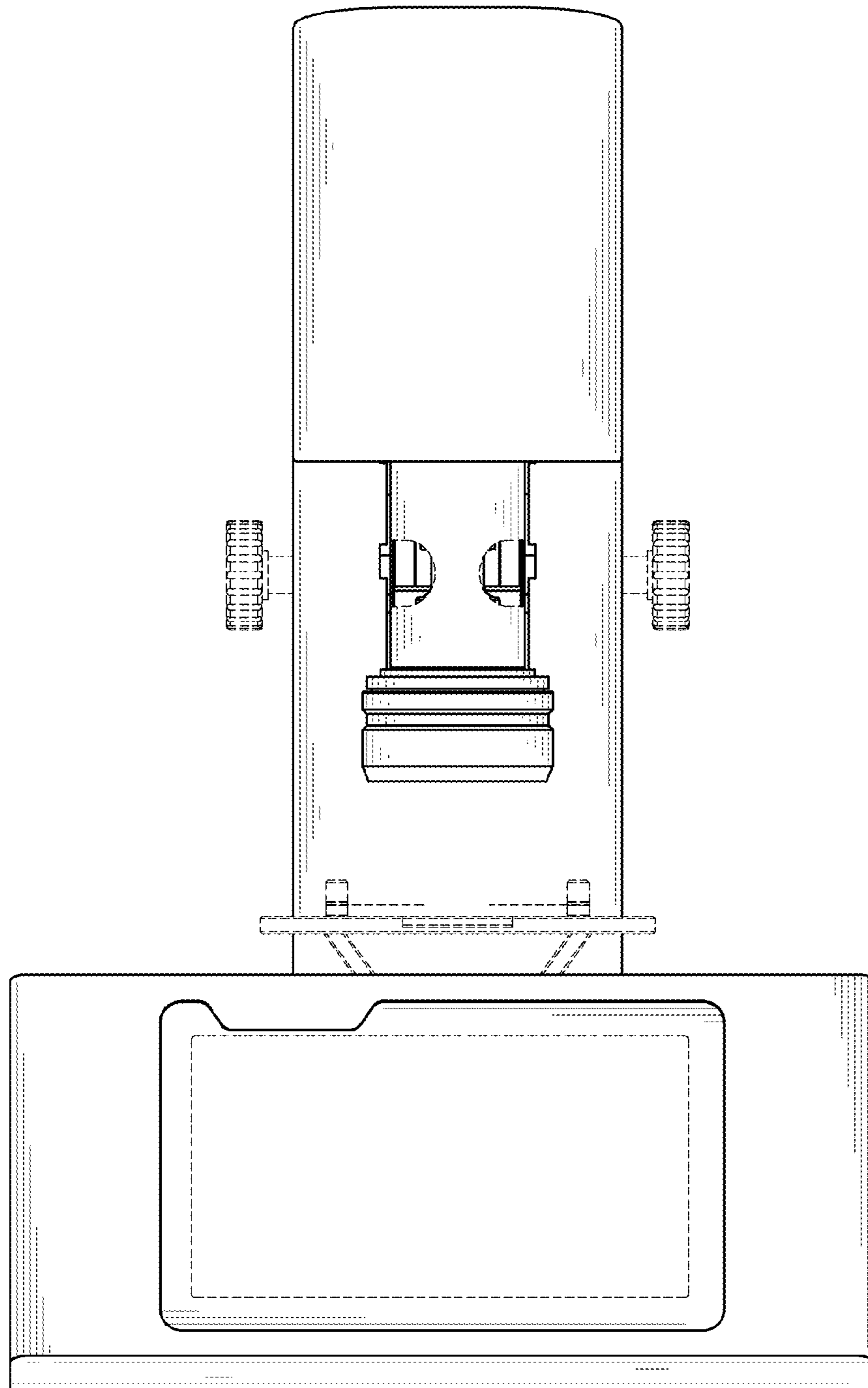


FIG. 2

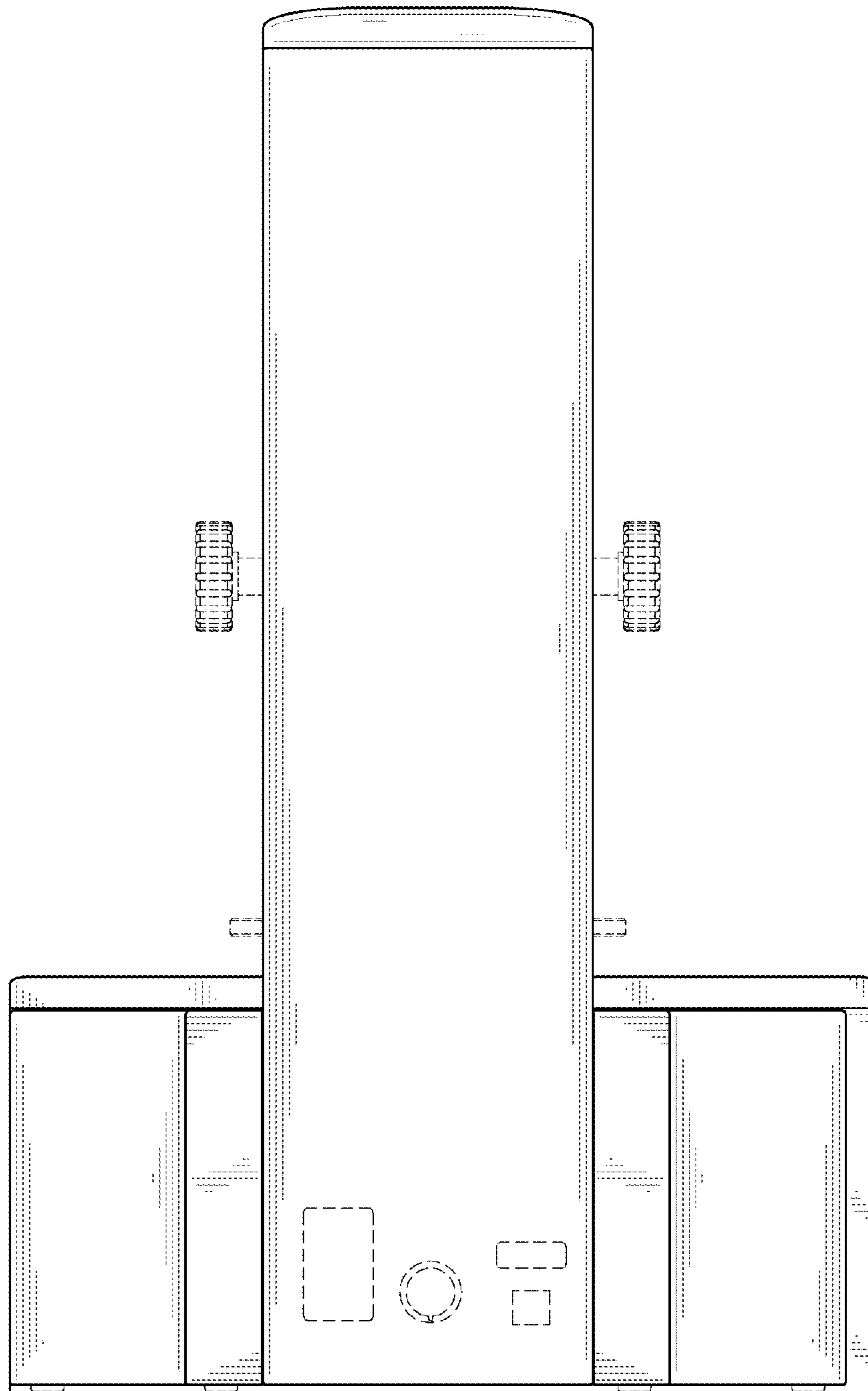


FIG. 3

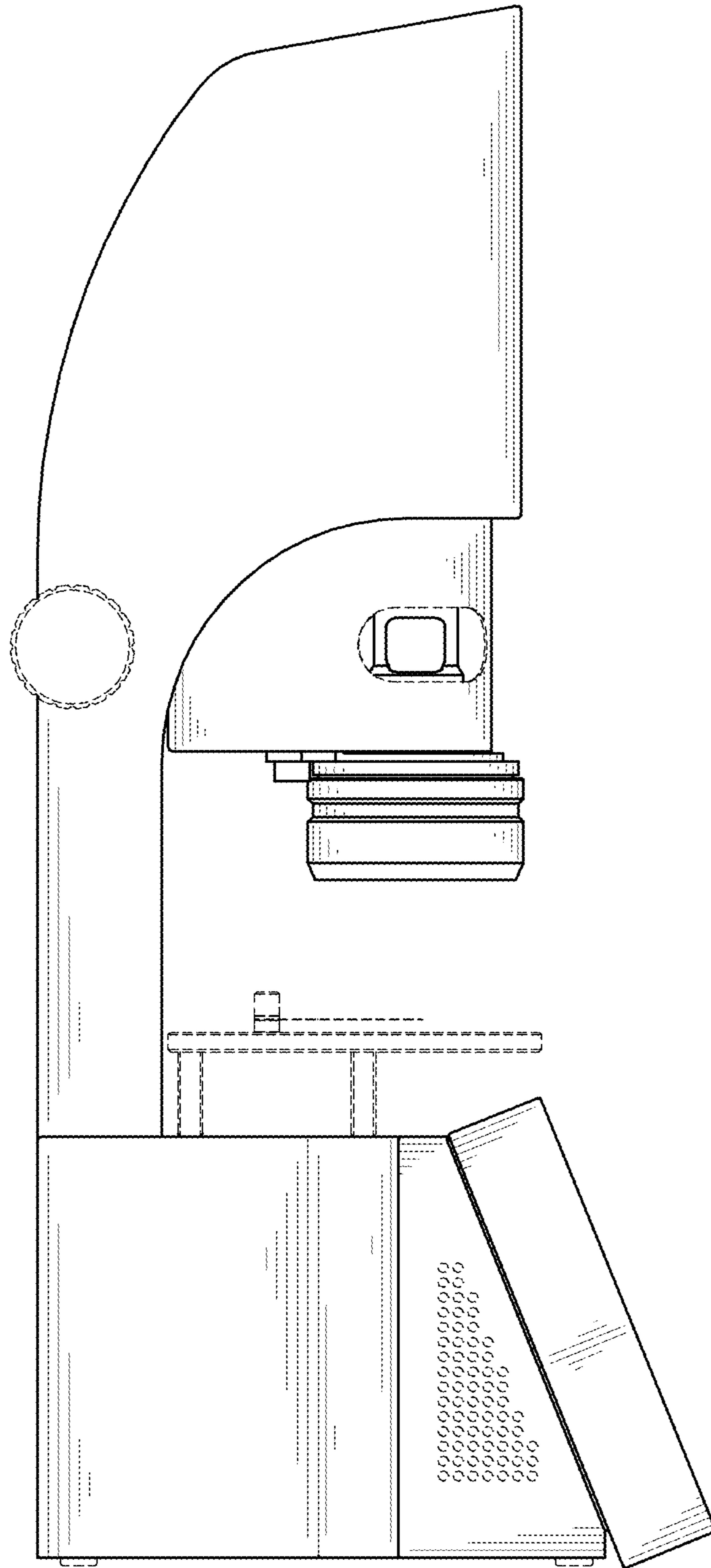


FIG. 4

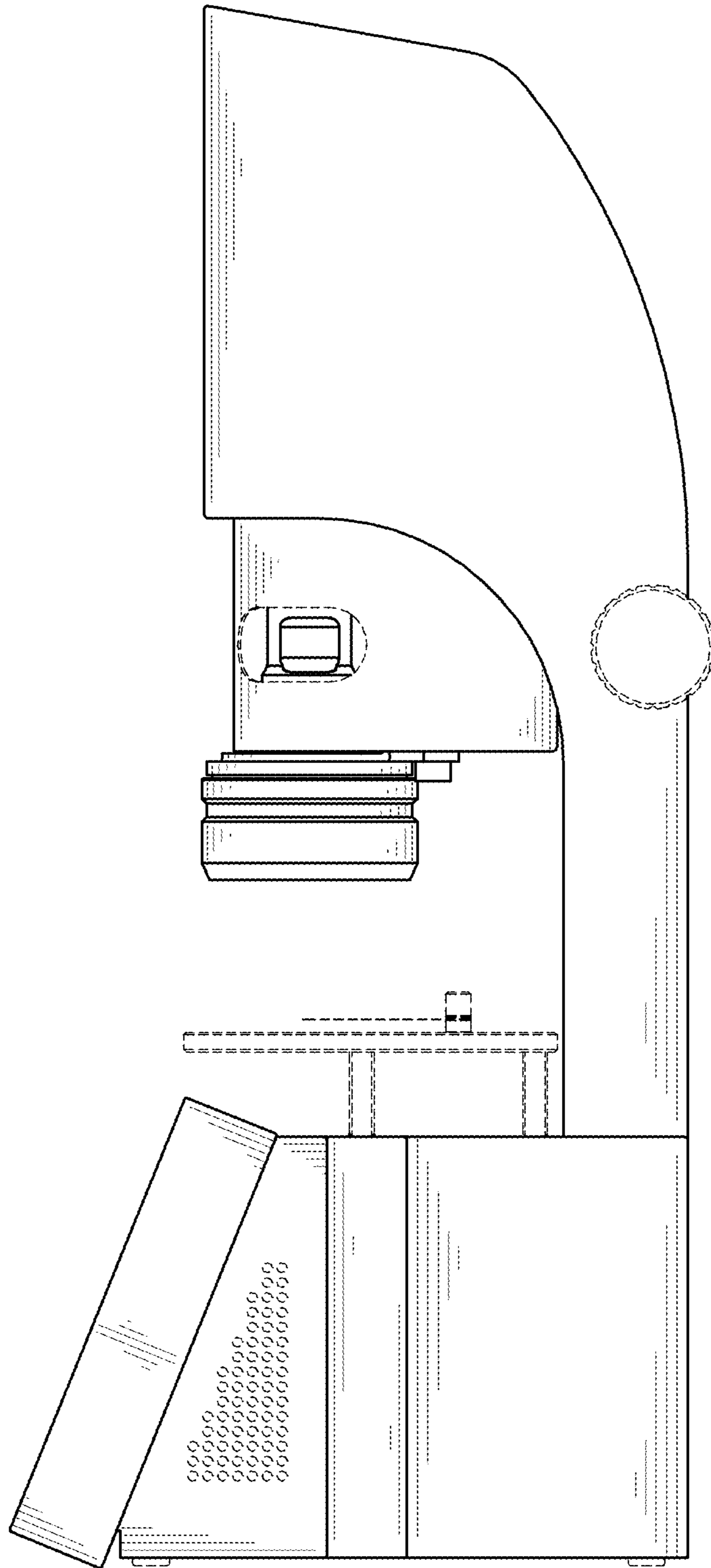


FIG. 5

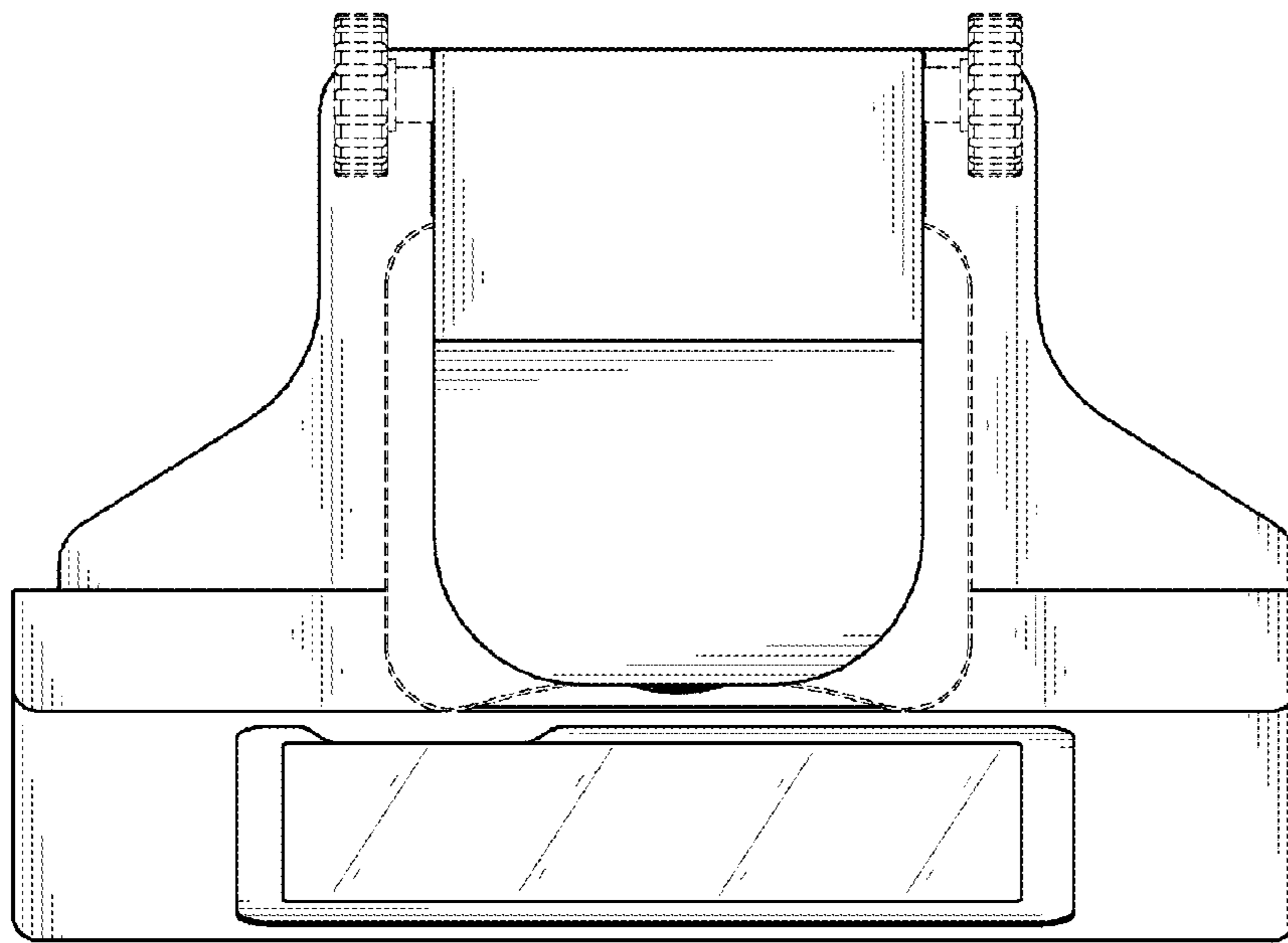


FIG. 6

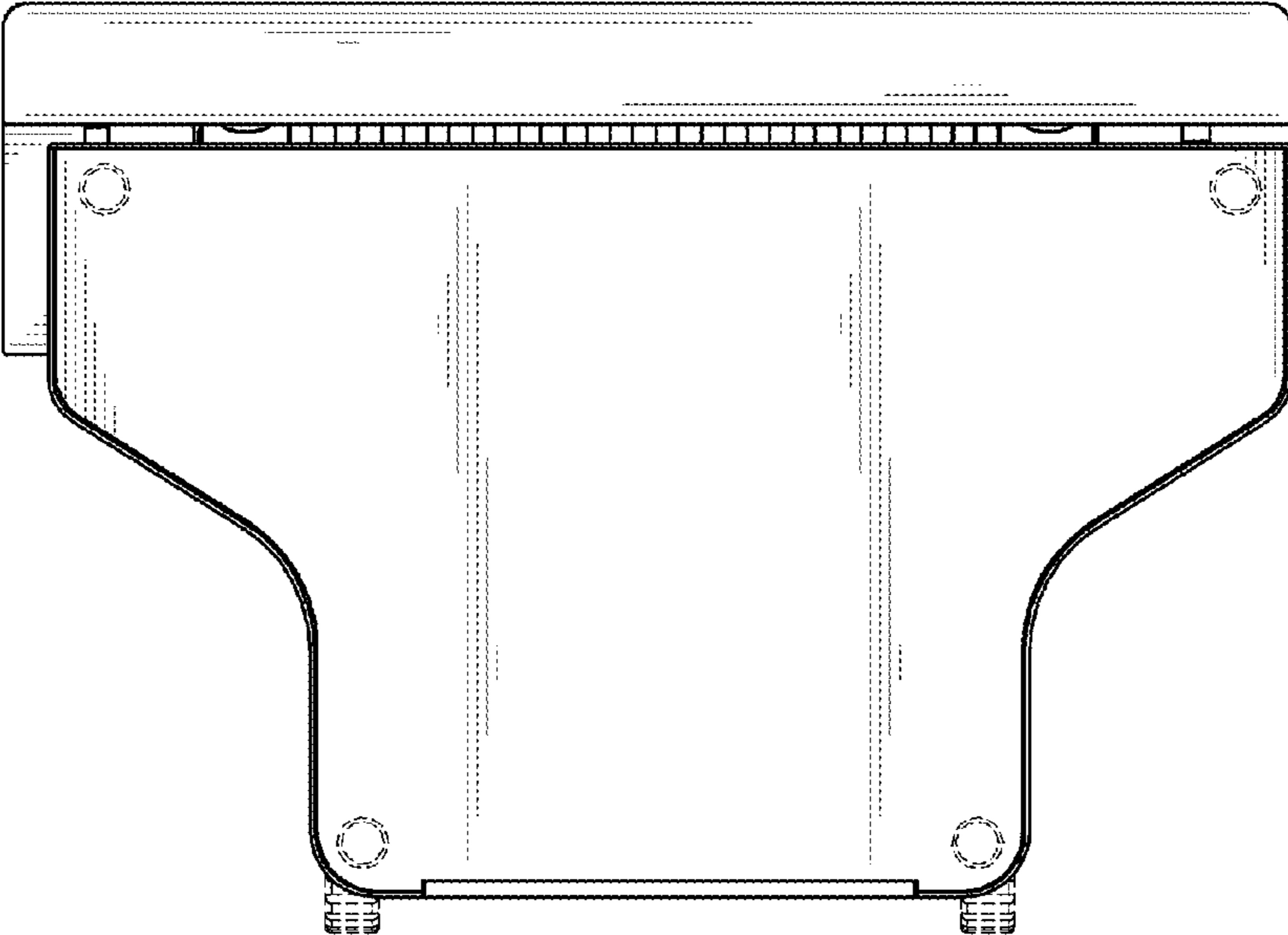


FIG. 7