



US00D720996S

(12) **United States Design Patent**  
**Burgun**

(10) **Patent No.:** **US D720,996 S**  
(45) **Date of Patent:** **\*\* Jan. 13, 2015**

(54) **BAG FOR ASBESTOS**

(71) Applicant: **David Anthony Burgun**, Berkeley Vale (AU)

(72) Inventor: **David Anthony Burgun**, Berkeley Vale (AU)

(\*\*) Term: **14 Years**

(21) Appl. No.: **29/483,308**

(22) Filed: **Feb. 27, 2014**

(30) **Foreign Application Priority Data**

Sep. 4, 2013 (AU) ..... 14412/2013

(51) **LOC (10) Cl.** ..... **09-05**

(52) **U.S. Cl.**  
USPC ..... **D9/702**

(58) **Field of Classification Search**  
USPC ..... D9/702-714, 720-721, 414, 420, D9/424-425, 431-432, 435; 119/496-499, 119/491, 482, 453, 474; 206/434, 427; 220/495.03; 229/122, 200, 87.01, 229/87.19, 116.1, 103.2; D30/108-109, D30/118; D3/201, 273, 232, 287, 276, 254, D3/261, 262, 304, 305, 307; 383/6, 17-22, 383/66, 121.1, 108, 33

See application file for complete search history.

(56) **References Cited**

**U.S. PATENT DOCUMENTS**

- D238,144 S \* 12/1975 Ketcham et al. .... D25/113
- D255,659 S \* 7/1980 Dugan et al. .... D9/425
- D261,359 S \* 10/1981 Nass ..... D9/715
- D276,131 S \* 10/1984 Fayle ..... D8/330
- D277,489 S \* 2/1985 Holson ..... D19/1
- 4,598,746 A \* 7/1986 Rabinowitz ..... 383/25
- D360,827 S \* 8/1995 Mats ..... D9/711
- D485,166 S \* 1/2004 Clark ..... D9/704
- D497,541 S \* 10/2004 Clark ..... D9/703

- D542,033 S \* 5/2007 Kopenhaver et al. .... D3/305
- D639,553 S \* 6/2011 Reilly ..... D3/261
- D654,688 S \* 2/2012 Lytle et al. .... D3/254
- D667,311 S \* 9/2012 Rowlett ..... D9/702

**OTHER PUBLICATIONS**

“922 Alfa Plate Bag Asbestos for asbestos abatement (according to TRGS 519)” by Alfa GmbH, two pages, 2013 copyright notice, printed from <http://www.alfa-direct.com/922-alfa-plate-bag-for-asbestos-waste-according-trgs-519.html> on Mar. 20, 2014.

New Zealand Intellectual Property Office Examination Report dated Mar. 20, 2014, for corresponding New Zealand design patent application No. 418553, two pages.

New Zealand Intellectual Property Office Examination Report dated May 6, 2014, for corresponding New Zealand design patent application No. 418553, two pages.

Response to the New Zealand Intellectual Property Office on Jun. 4, 2014, for corresponding New Zealand design patent application No. 418553, two pages.

\* cited by examiner

*Primary Examiner* — Caron D Veynar  
*Assistant Examiner* — Abraham Bahta

(57) **CLAIM**

The ornamental design for a bag for asbestos, as shown and described.

**DESCRIPTION**

FIG. 1 illustrates a top front perspective view of an embodiment of a bag for asbestos employing an ornamental design in accordance with the present invention;

FIG. 2 illustrates a bottom front perspective view of the bag of FIG. 1;

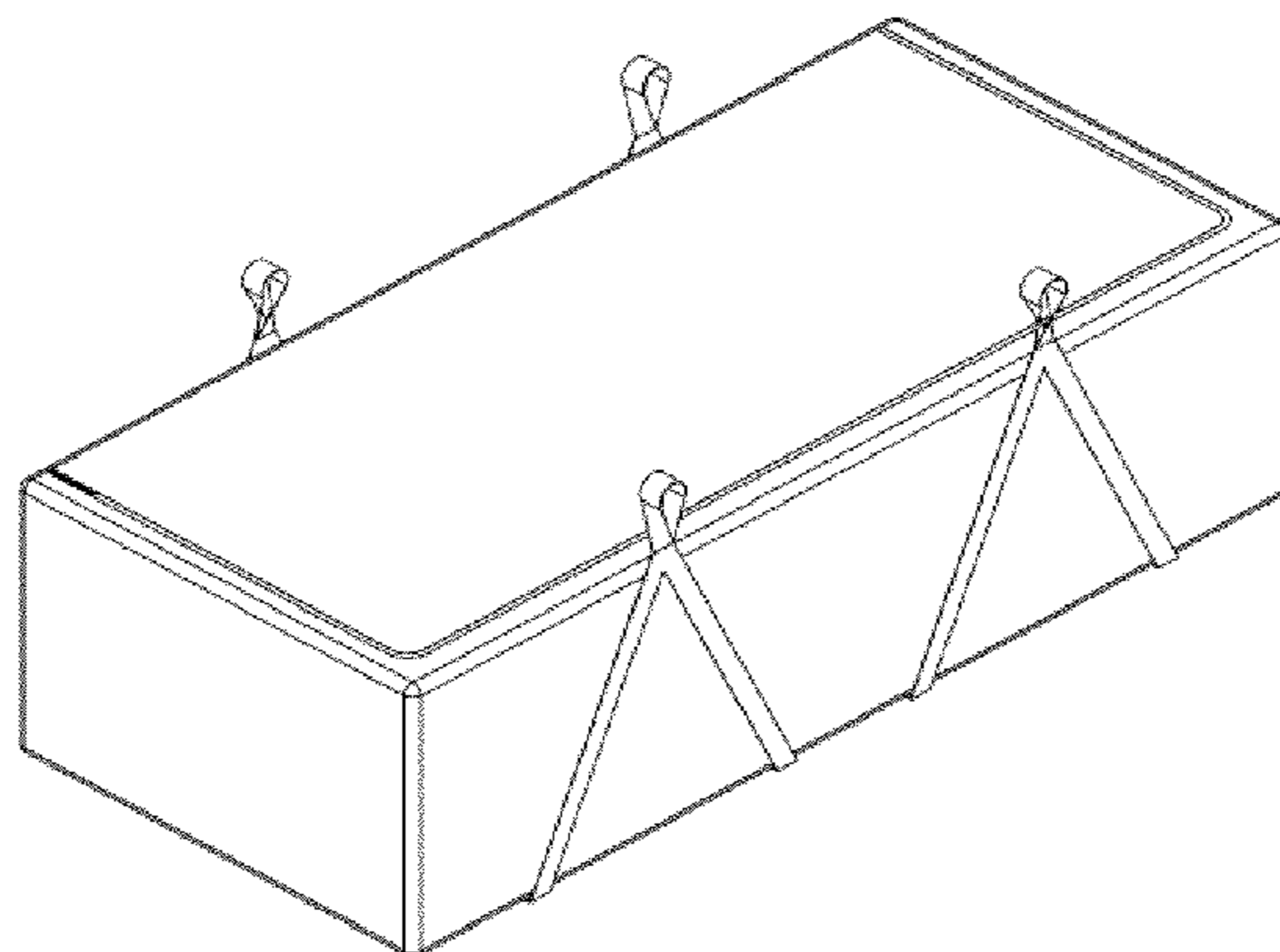
FIG. 3 illustrates a top view of the bag of FIG. 1;

FIG. 4 illustrates a front view of the bag of FIG. 1, wherein the rear view is a mirror image thereof;

FIG. 5 illustrates a right side view of the bag of FIG. 1, wherein the left side view is a mirror image thereof; and,

FIG. 6 illustrates a bottom view of the bag of FIG. 1.

**1 Claim, 6 Drawing Sheets**



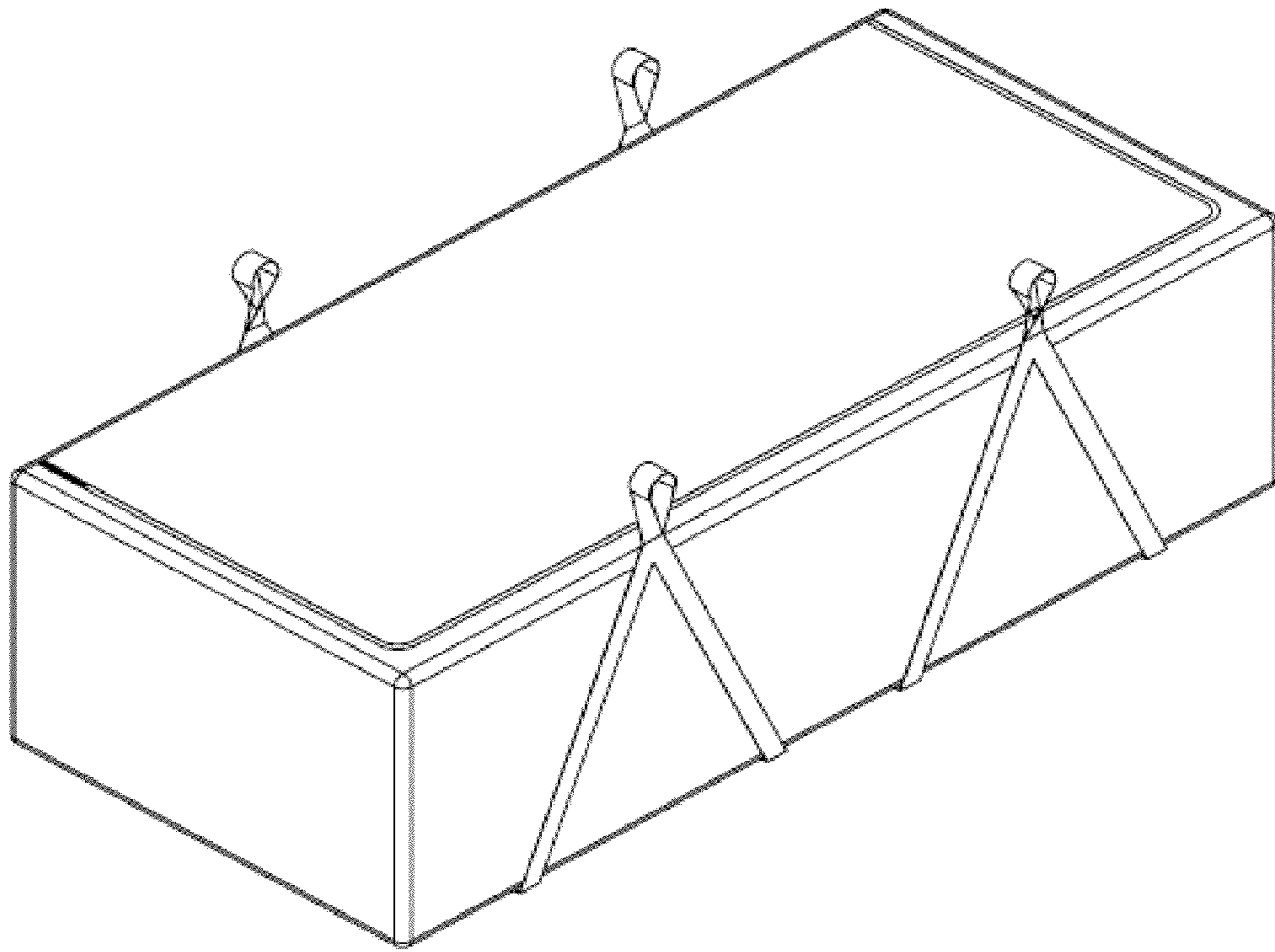


Fig. 1.

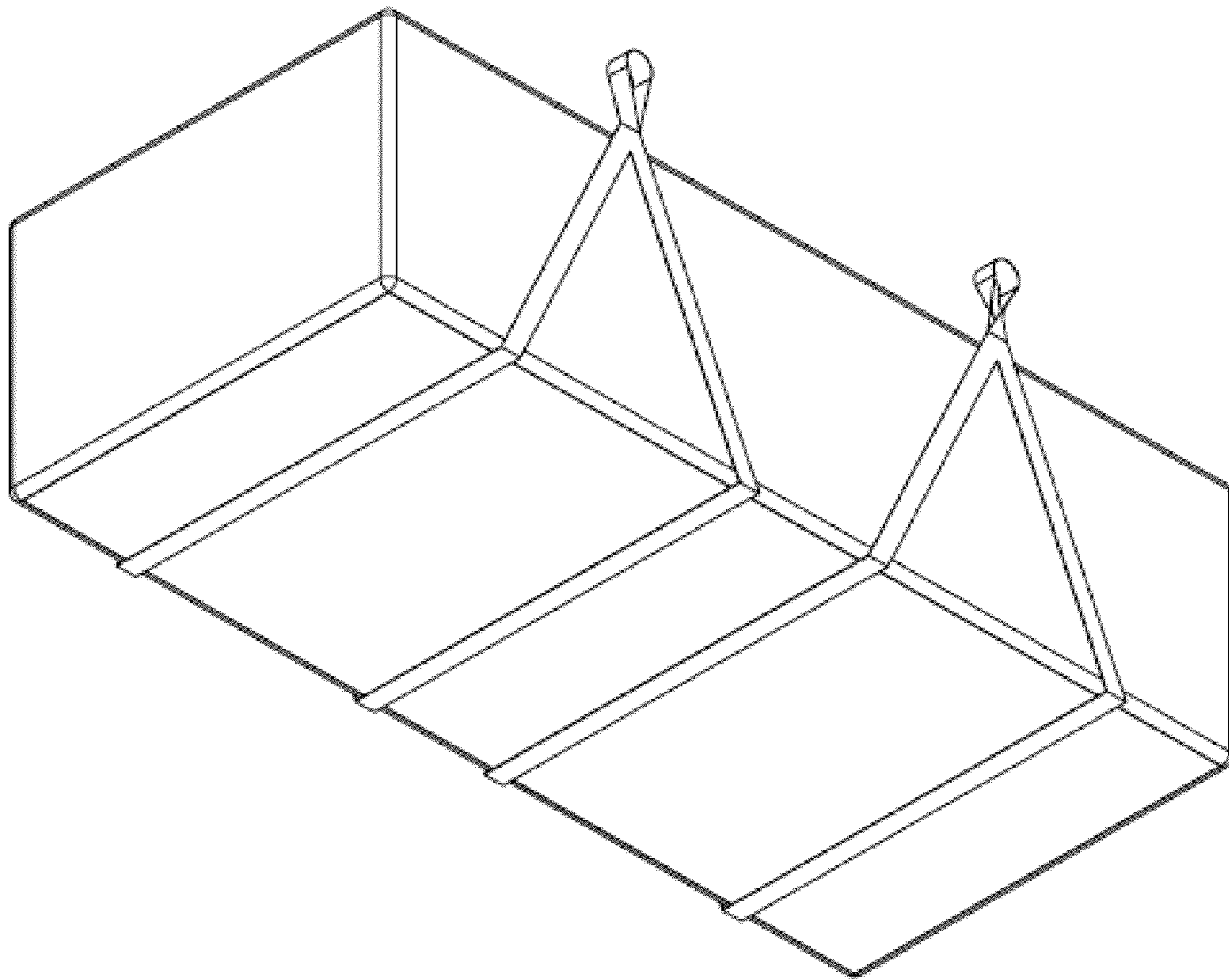


Fig. 2.

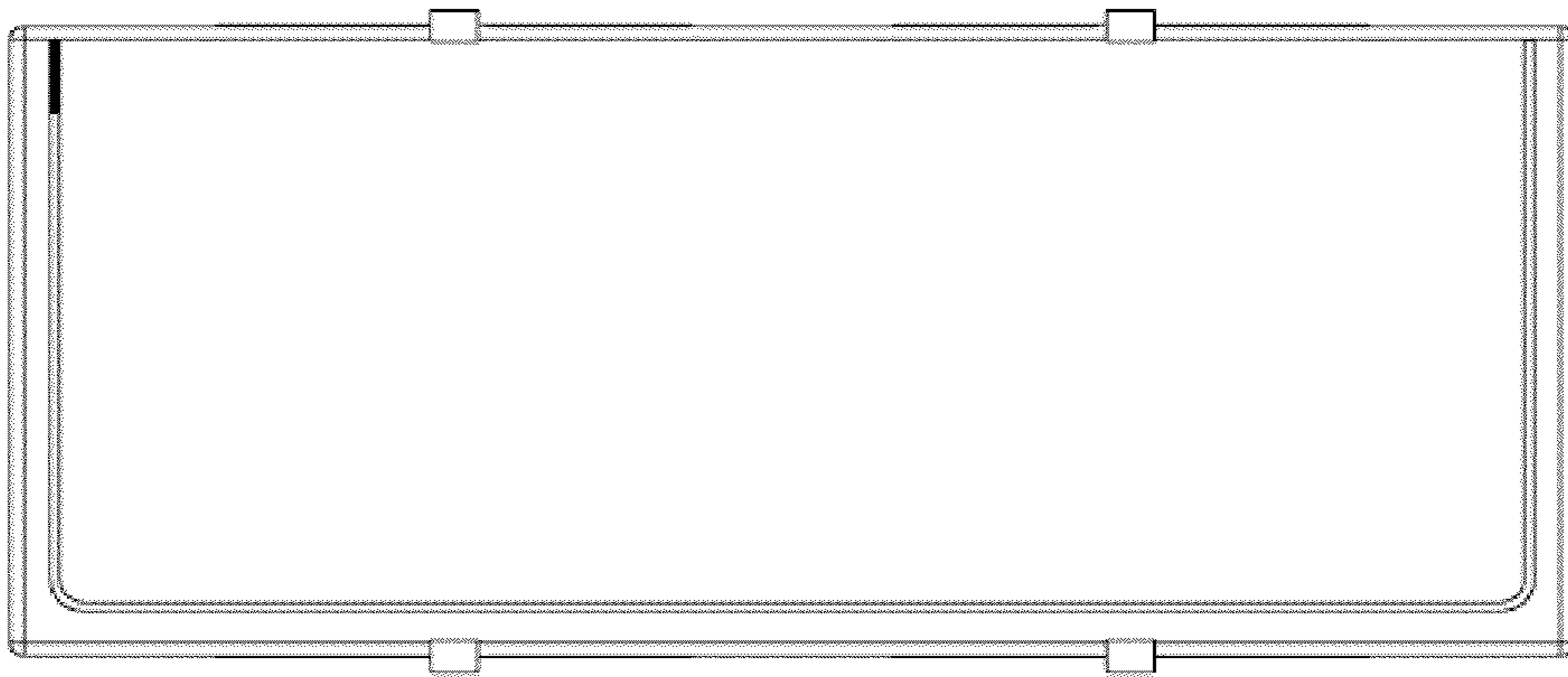


Fig. 3.

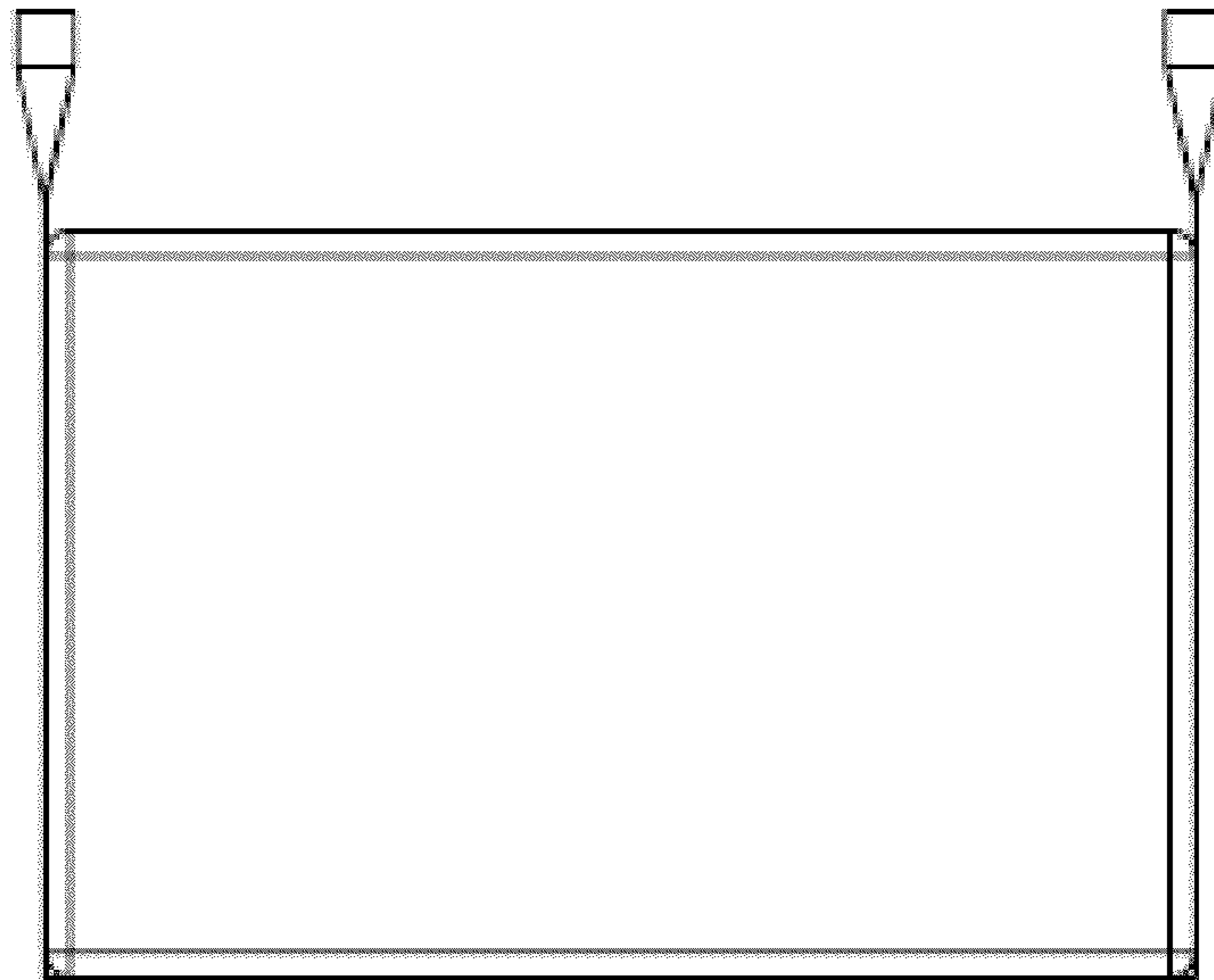


Fig. 4.

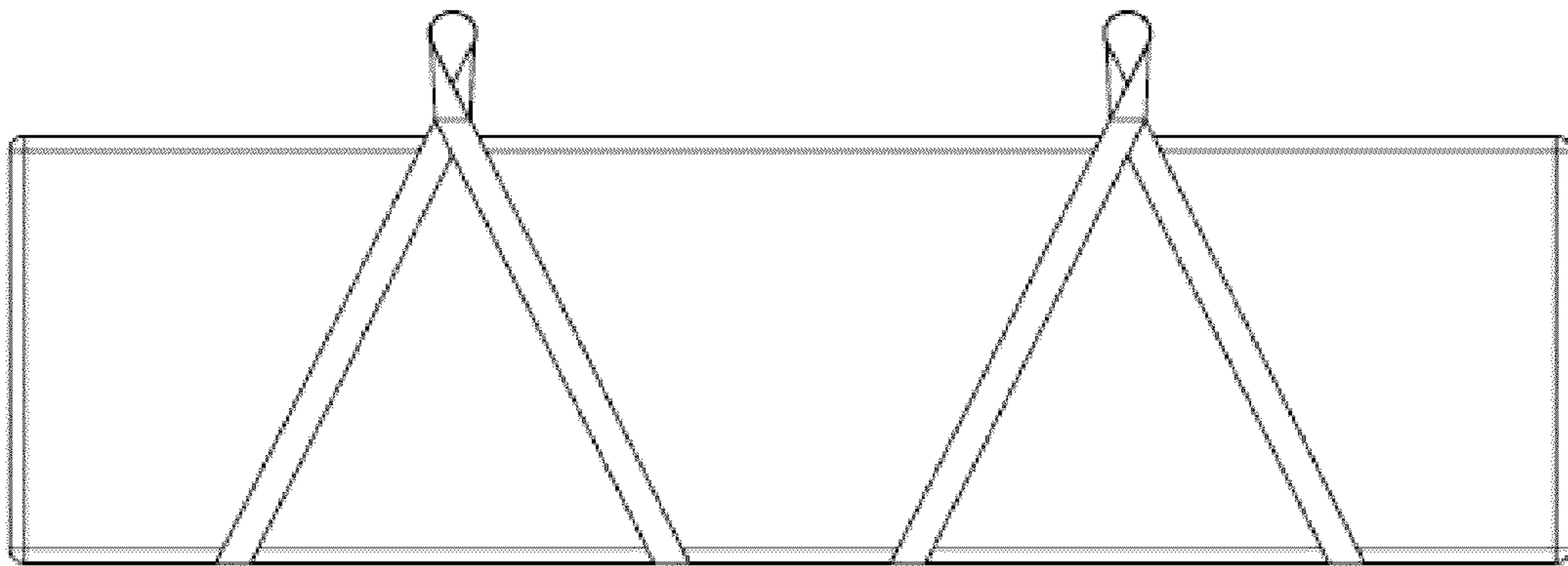


Fig. 5.

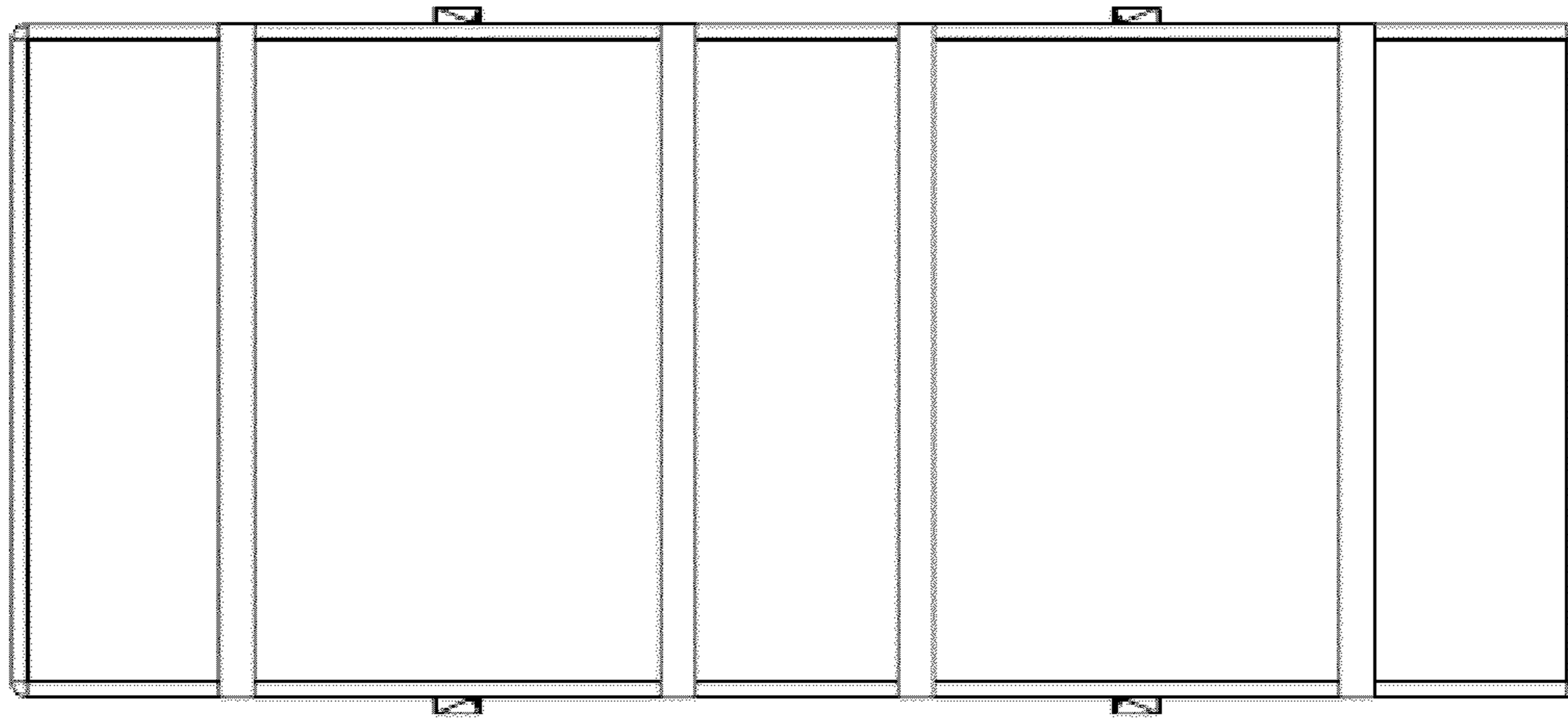


Fig. 6.