



US00D720994S

(12) **United States Design Patent**  
**Peng**

(10) **Patent No.:** **US D720,994 S**  
(45) **Date of Patent:** **\*\* Jan. 13, 2015**

(54) **DISPENSING CONTAINER**

(71) Applicant: **Pandian Peng**, Shenzhen (CN)

(72) Inventor: **Pandian Peng**, Shenzhen (CN)

(\*\*) Term: **14 Years**

(21) Appl. No.: **29/459,182**

(22) Filed: **Jun. 26, 2013**

(51) **LOC (10) Cl.** ..... **09-01**

(52) **U.S. Cl.**  
USPC ..... **D9/652**; D9/521; D9/529; D9/551

(58) **Field of Classification Search**  
USPC ..... D9/500-504, 516, 521, 537-559,  
D9/563-566, 600, 652, 667; 215/381-384  
See application file for complete search history.

(56) **References Cited**

**U.S. PATENT DOCUMENTS**

D398,238	S	*	9/1998	Bertolini et al.	.....	D9/520
D427,073	S	*	6/2000	Gaffney et al.	.....	D9/520
D446,724	S	*	8/2001	Fenton et al.	.....	D9/521
D583,242	S	*	12/2008	Adler et al.	.....	D9/521
D609,098	S	*	2/2010	Almstead et al.	.....	D9/521
D612,263	S	*	3/2010	Miksovsky	.....	D9/652
D612,264	S	*	3/2010	Miksovsky	.....	D9/652
D612,741	S	*	3/2010	Miksovsky	.....	D9/652
D644,525	S	*	9/2011	Howell et al.	.....	D9/521
D644,527	S	*	9/2011	Howell et al.	.....	D9/521

\* cited by examiner

*Primary Examiner* — Sandra Morris

(74) *Attorney, Agent, or Firm* — Xiyan Zhang

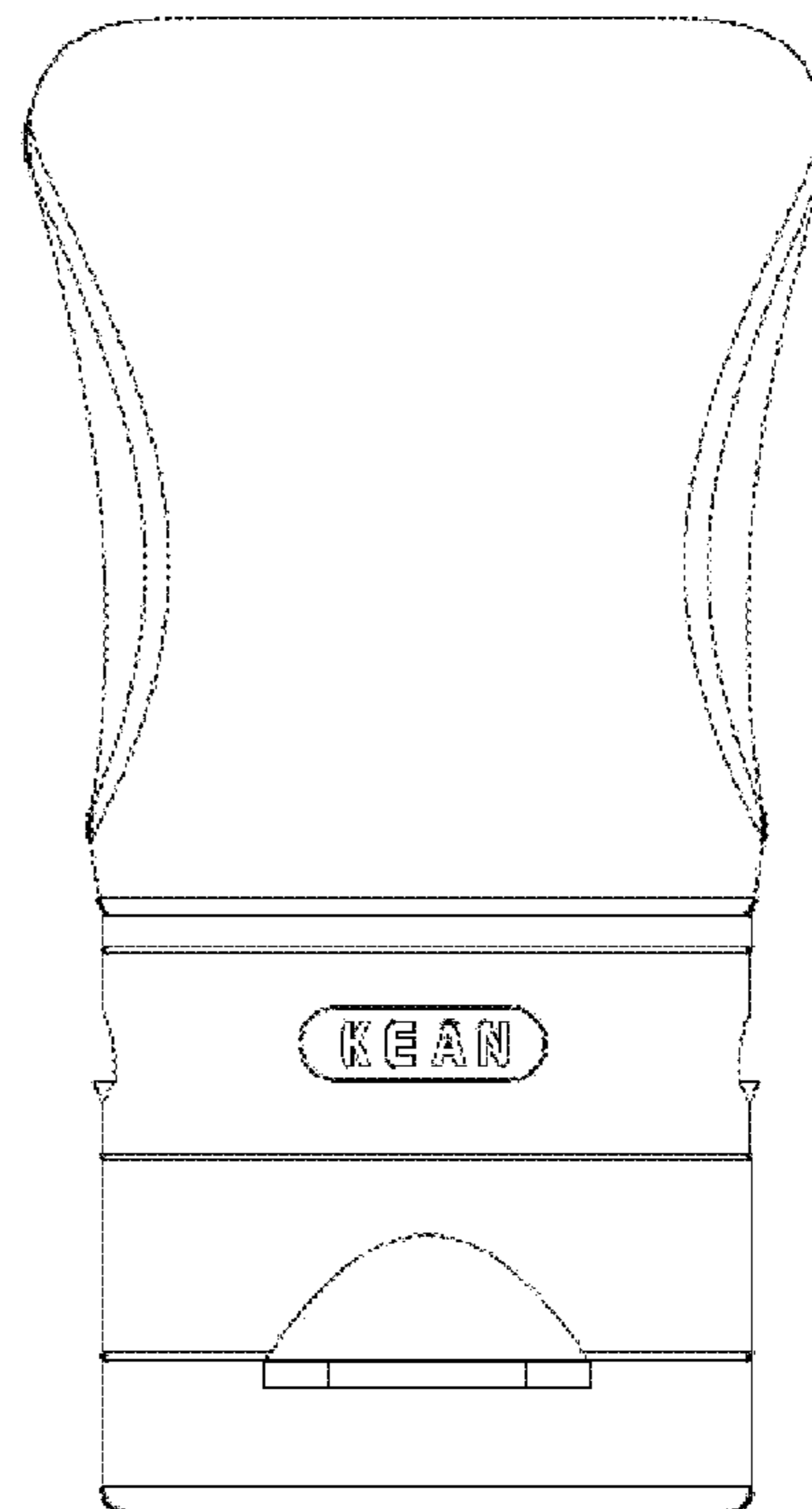
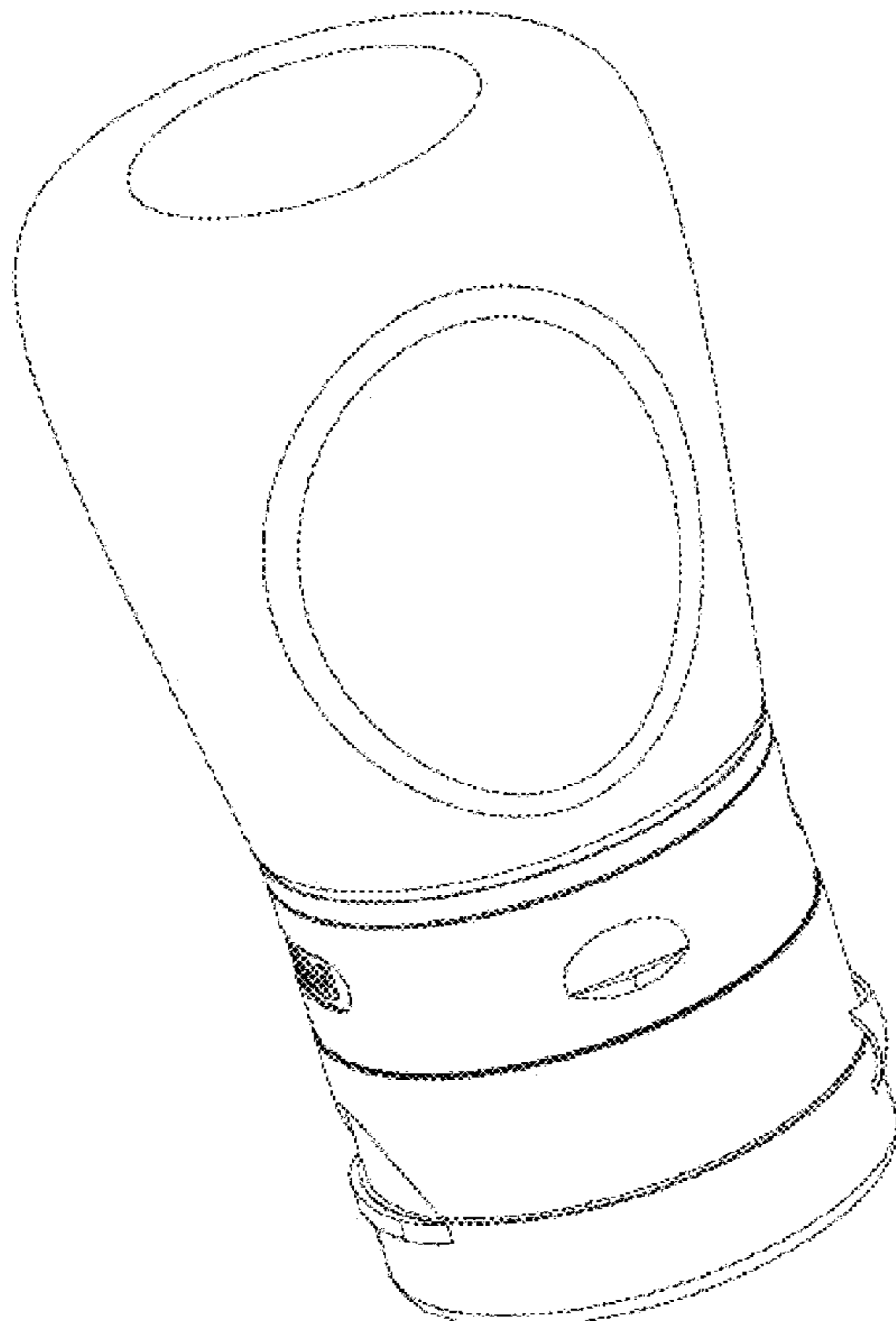
(57) **CLAIM**

The ornamental design for a dispensing container, as shown and described.

**DESCRIPTION**

FIG. 1 is a perspective view of one embodiment of the dispensing container showing my new design;  
 FIG. 2 is a front plan view thereof;  
 FIG. 3 is a back plan view thereof;  
 FIG. 4 is a left plan view thereof;  
 FIG. 5 is a right plan view thereof;  
 FIG. 6 is a top plan view thereof;  
 FIG. 7 is a bottom plan view thereof  
 FIG. 8 is a cross-sectional view taken along line 8-8 thereof;  
 FIG. 9 is a cross-sectional view taken along line 9-9 thereof;  
 FIG. 10 is a perspective view of a second embodiment of the dispensing container showing my new design;  
 FIG. 11 is a front plan view thereof;  
 FIG. 12 is a back plan view thereof;  
 FIG. 13 is a left plan view thereof;  
 FIG. 14 is a right plan view thereof;  
 FIG. 15 is a top plan view thereof;  
 FIG. 16 is a bottom plan view thereof;  
 FIG. 17 is a cross-sectional view taken along line 17-17 thereof; and,  
 FIG. 18 is a cross-sectional view taken along line 18-18 thereof.

**1 Claim, 16 Drawing Sheets**



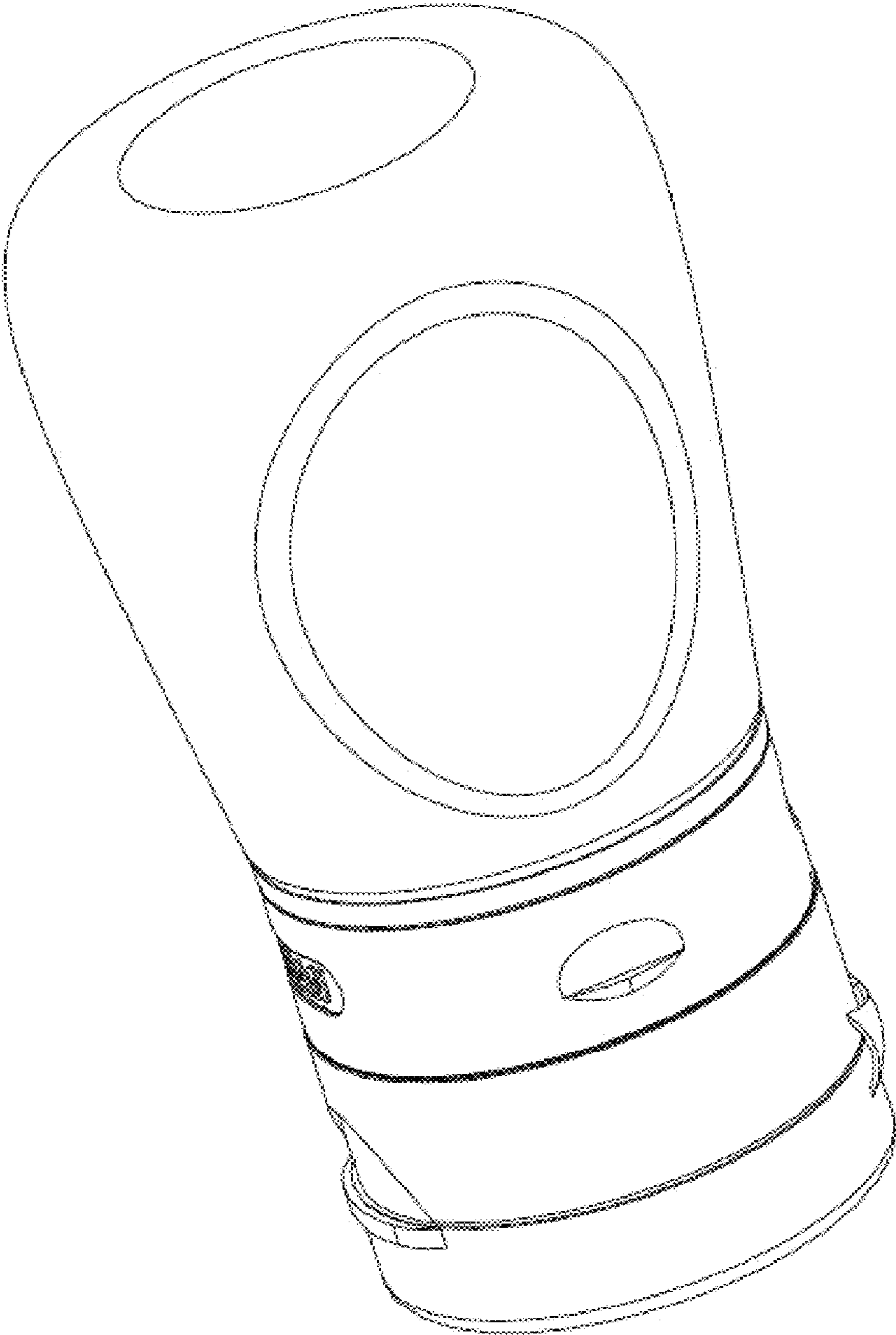


Figure 1

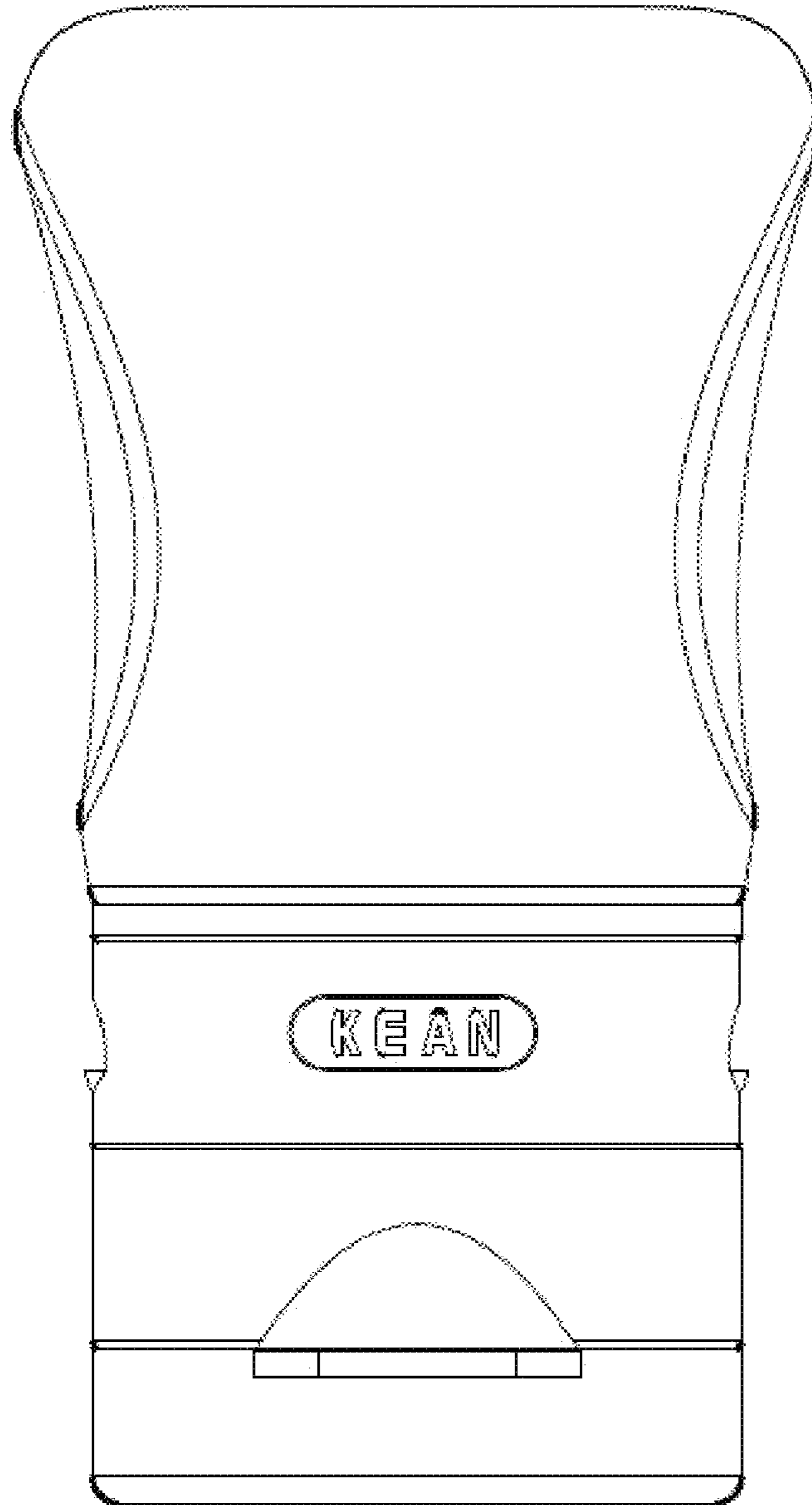


Figure 2

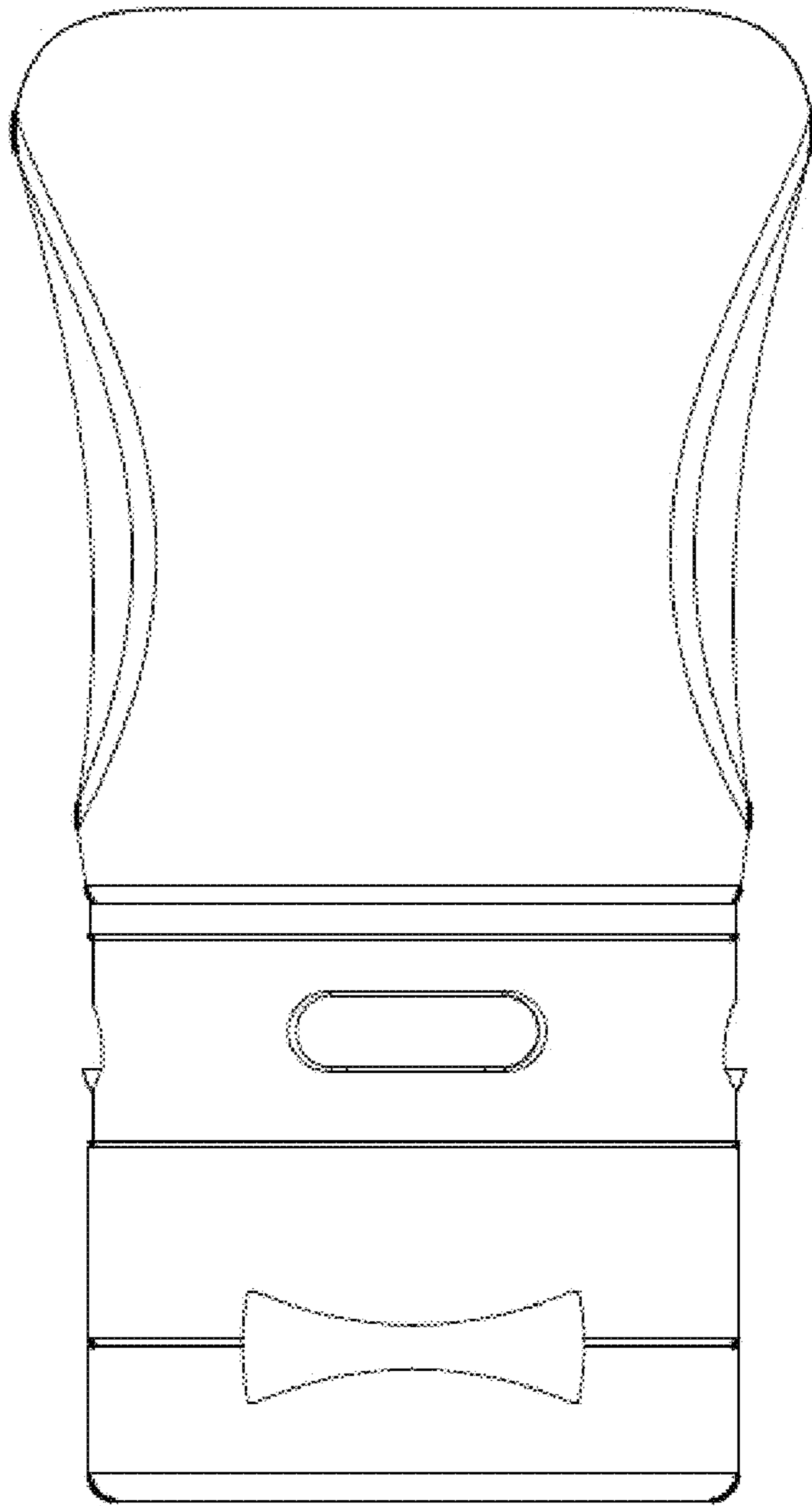


Figure 3

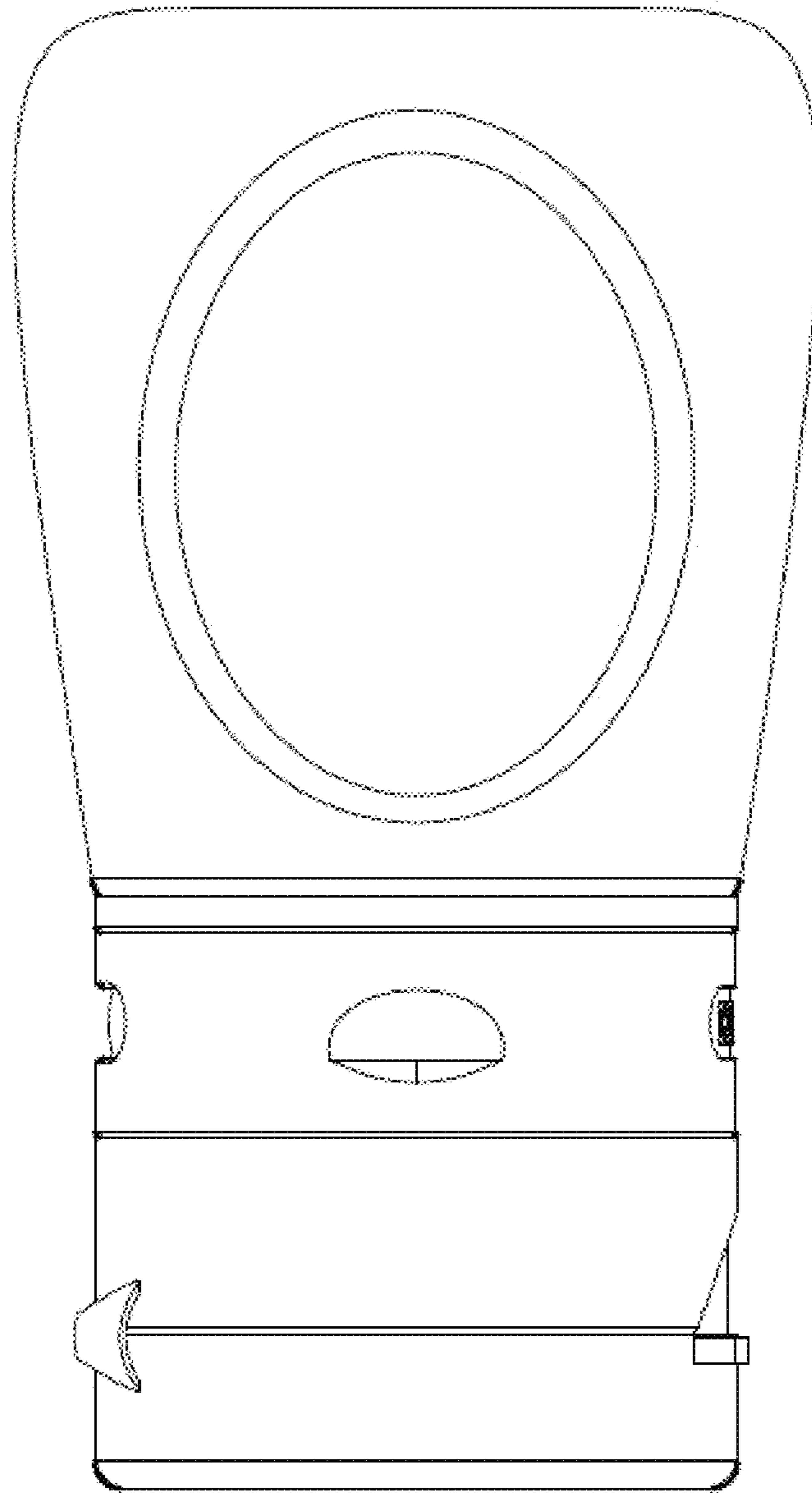


Figure 4

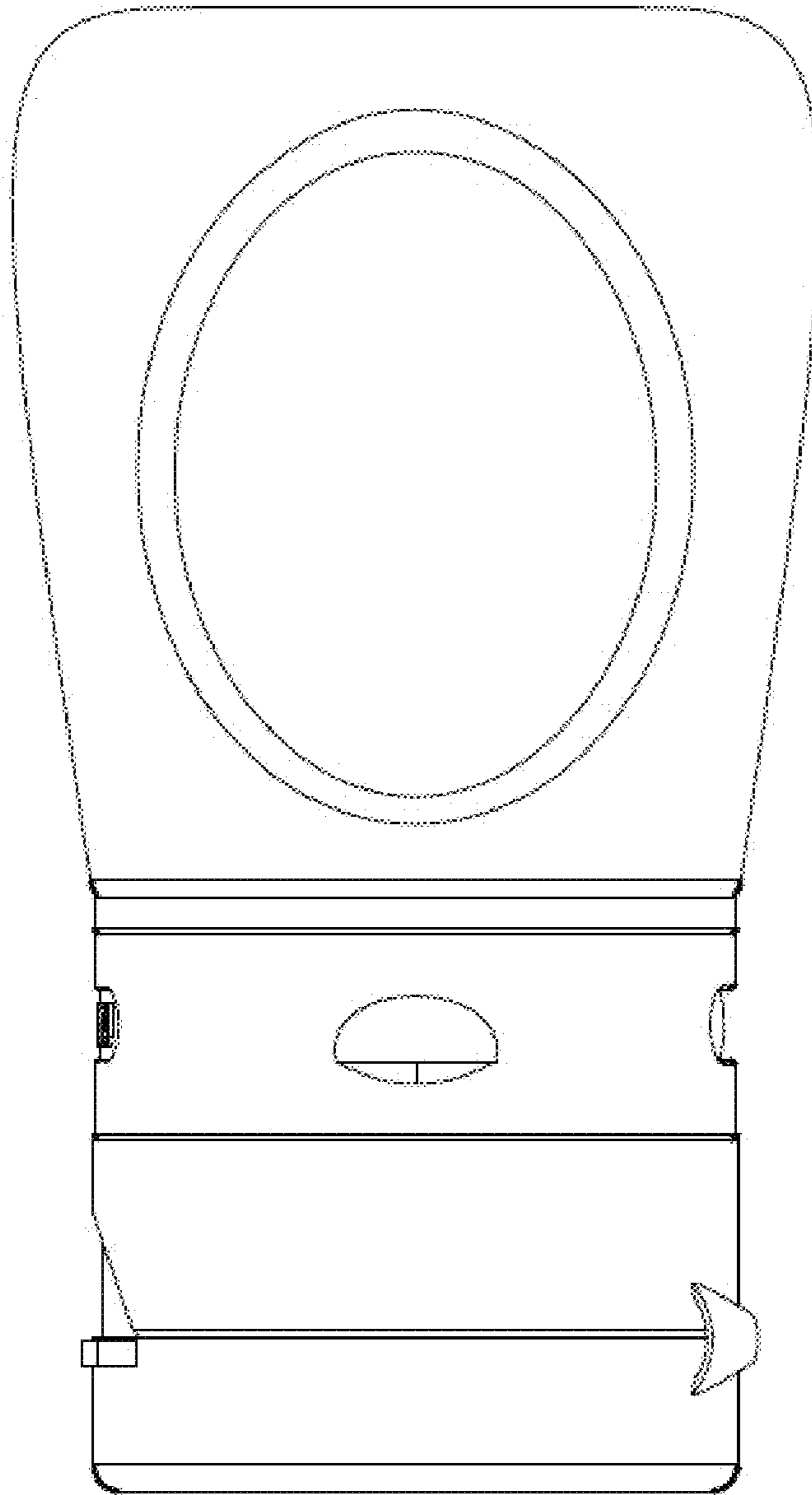


Figure 5

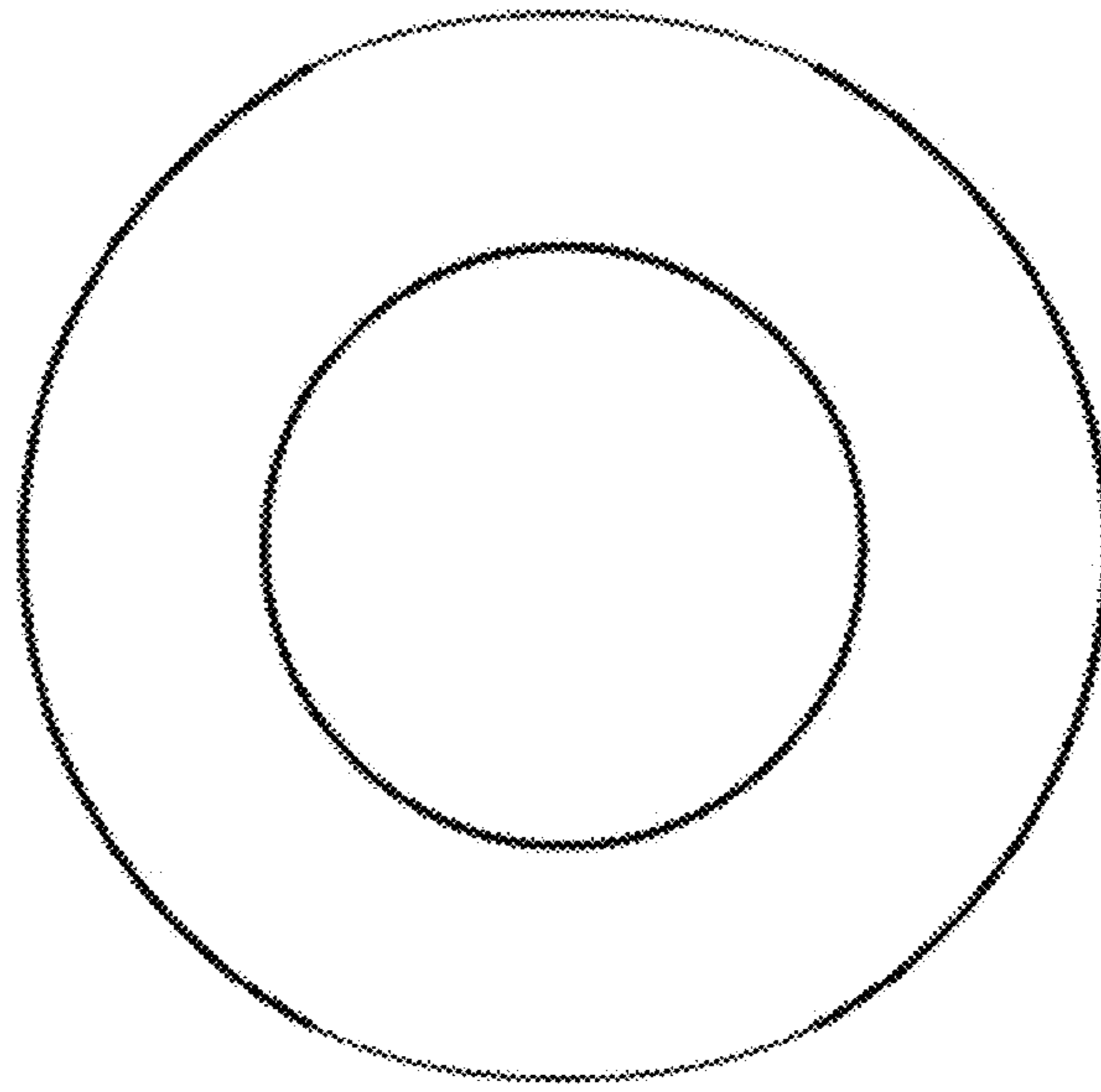


Figure 6

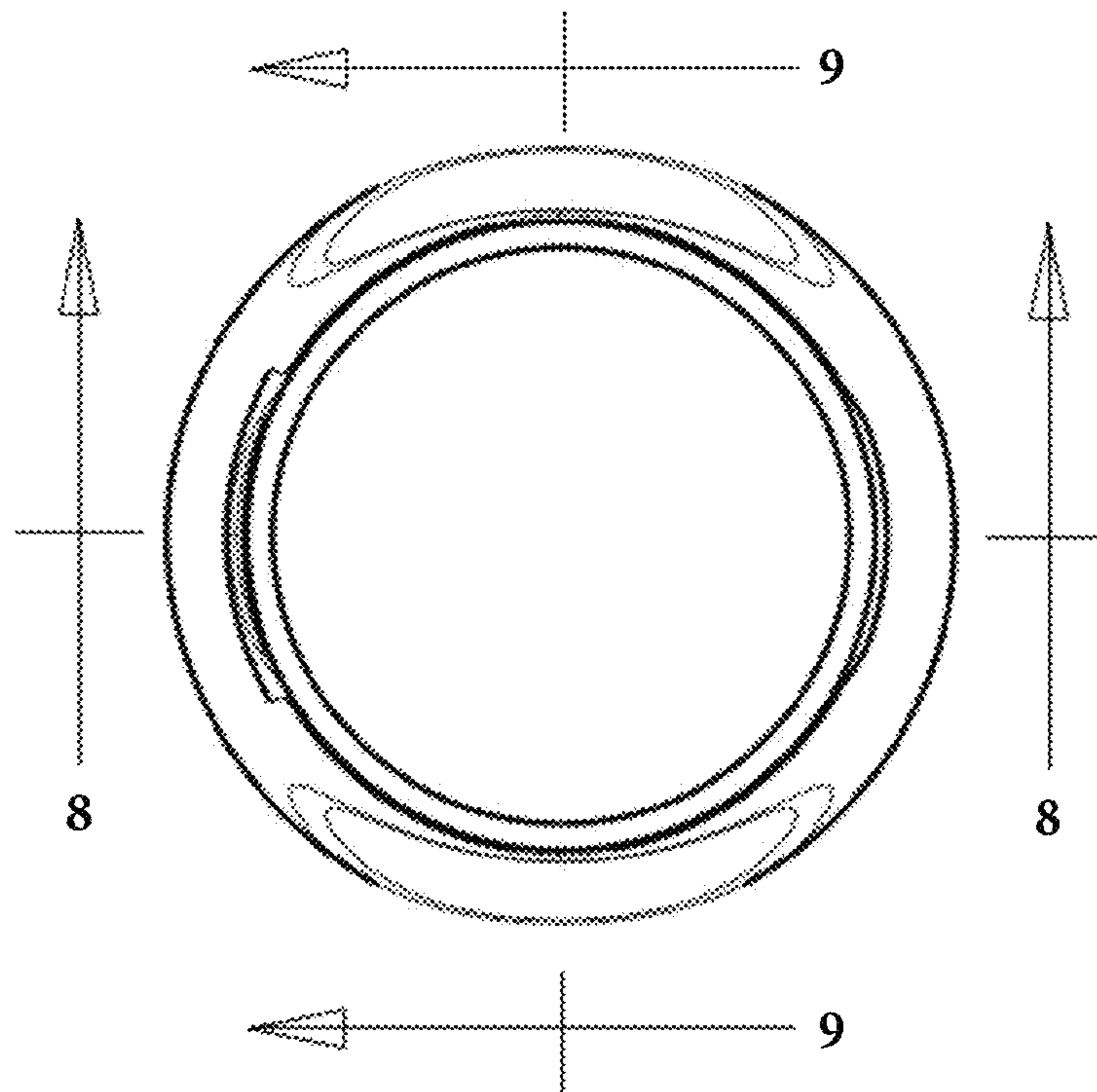


Figure 7

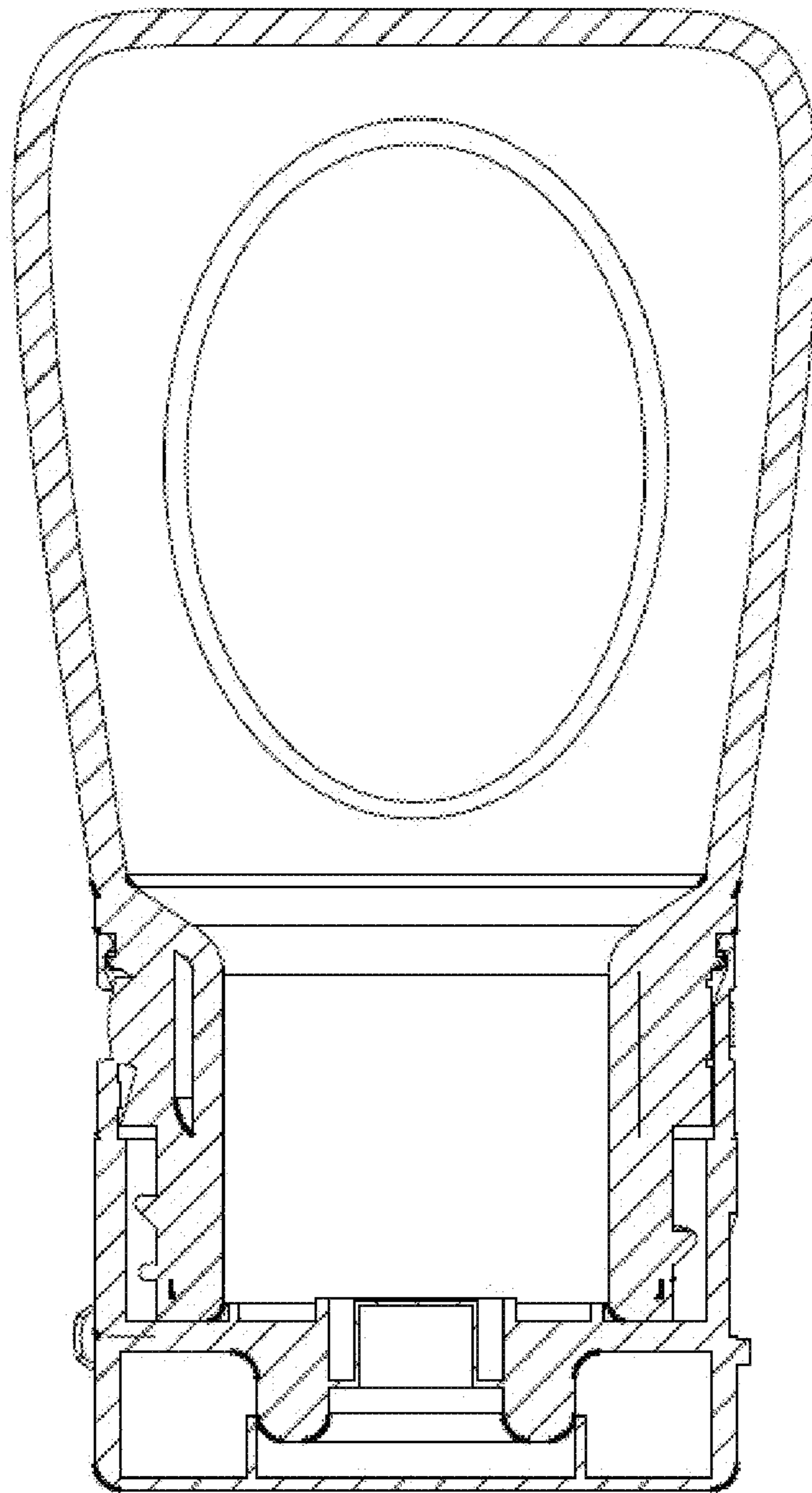


Figure 8



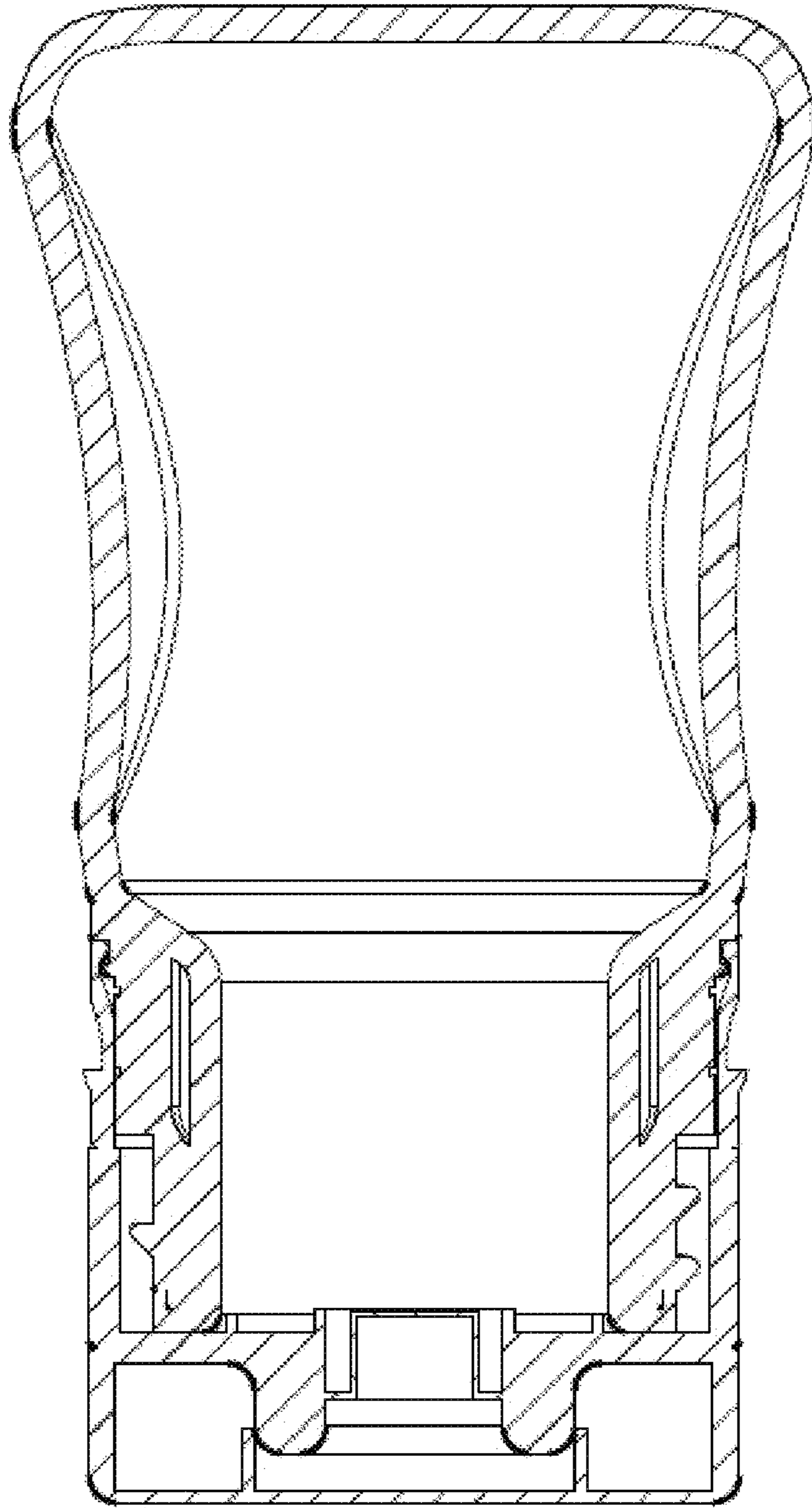


Figure 9

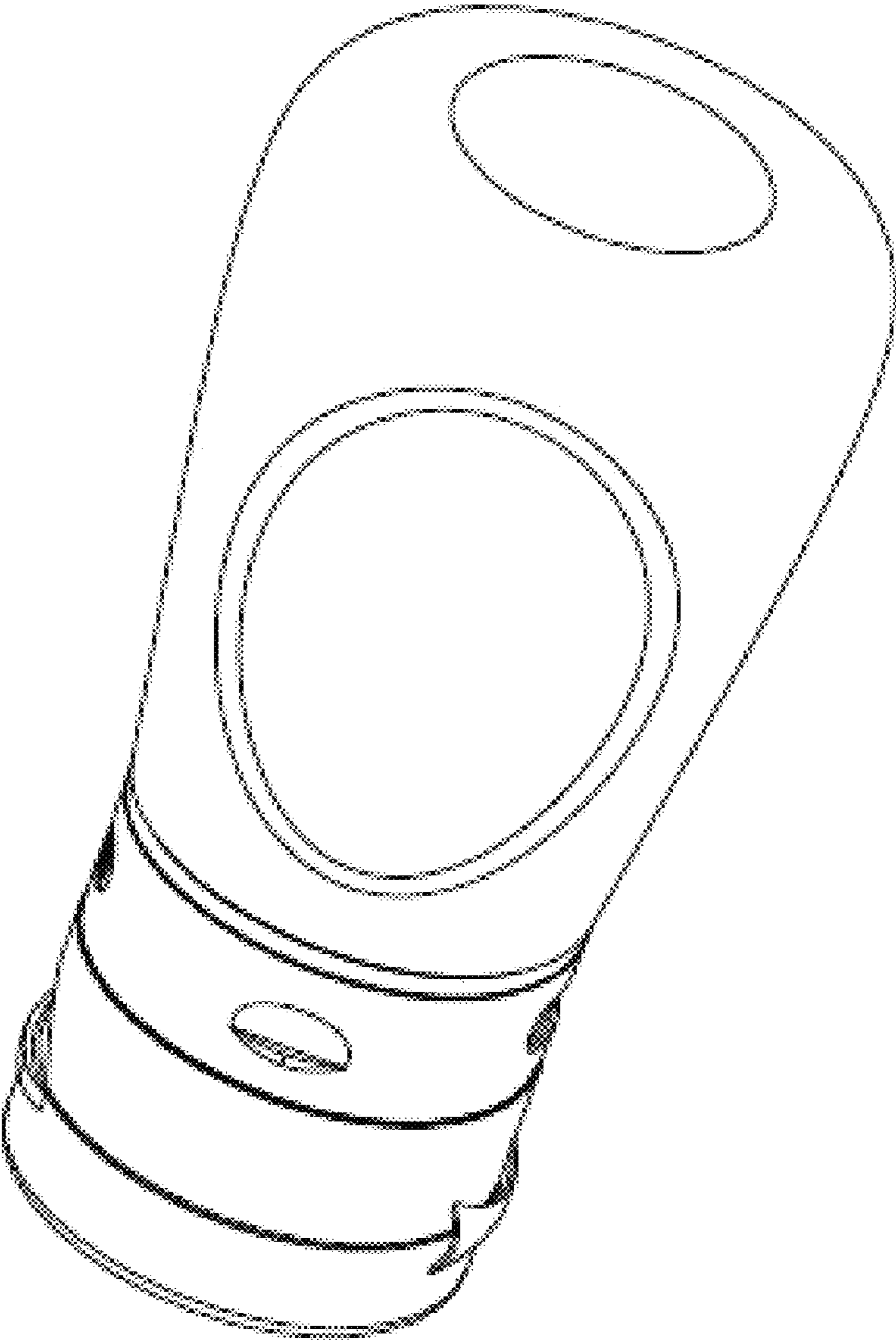


Figure 10

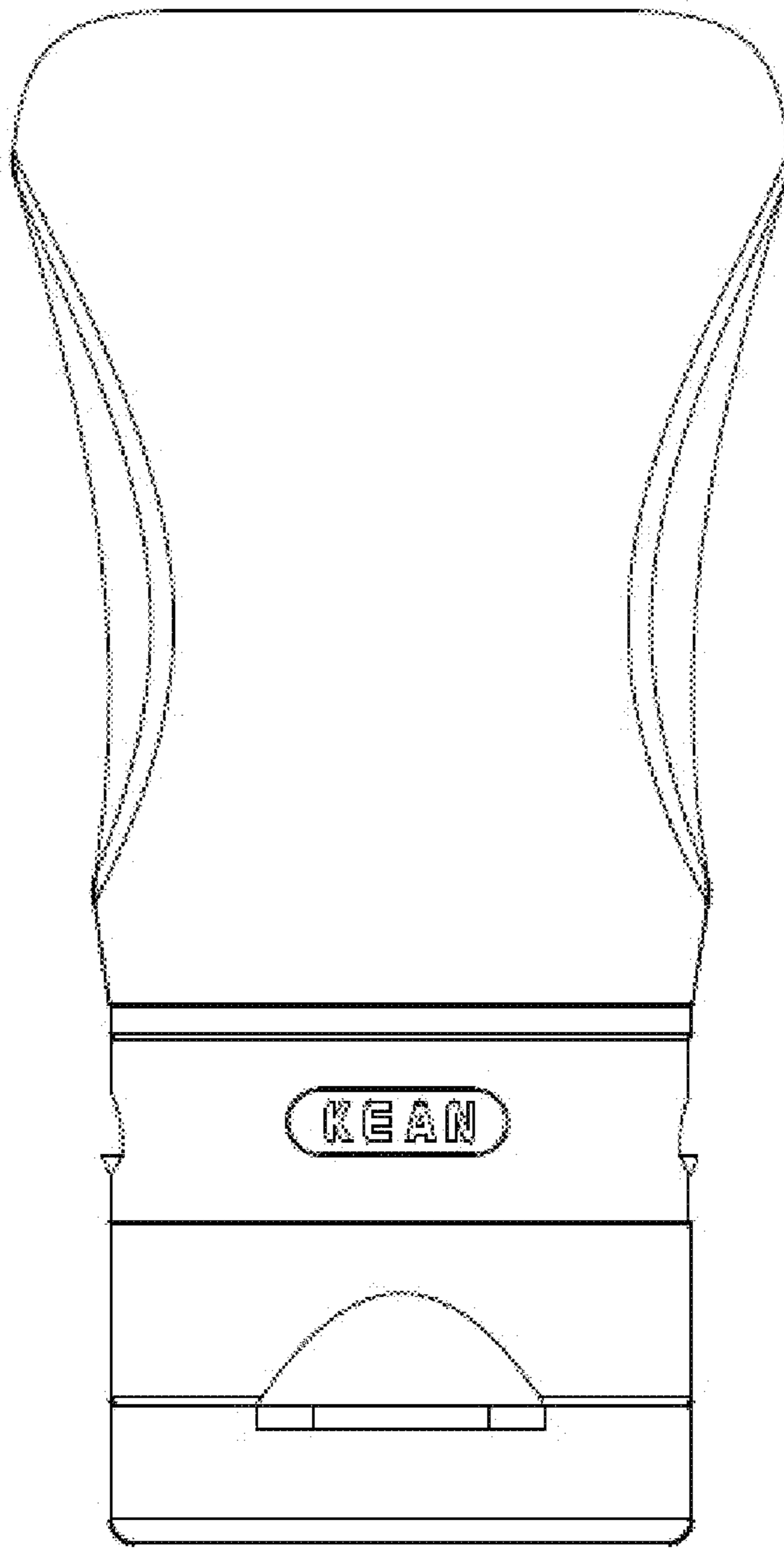


Figure 11

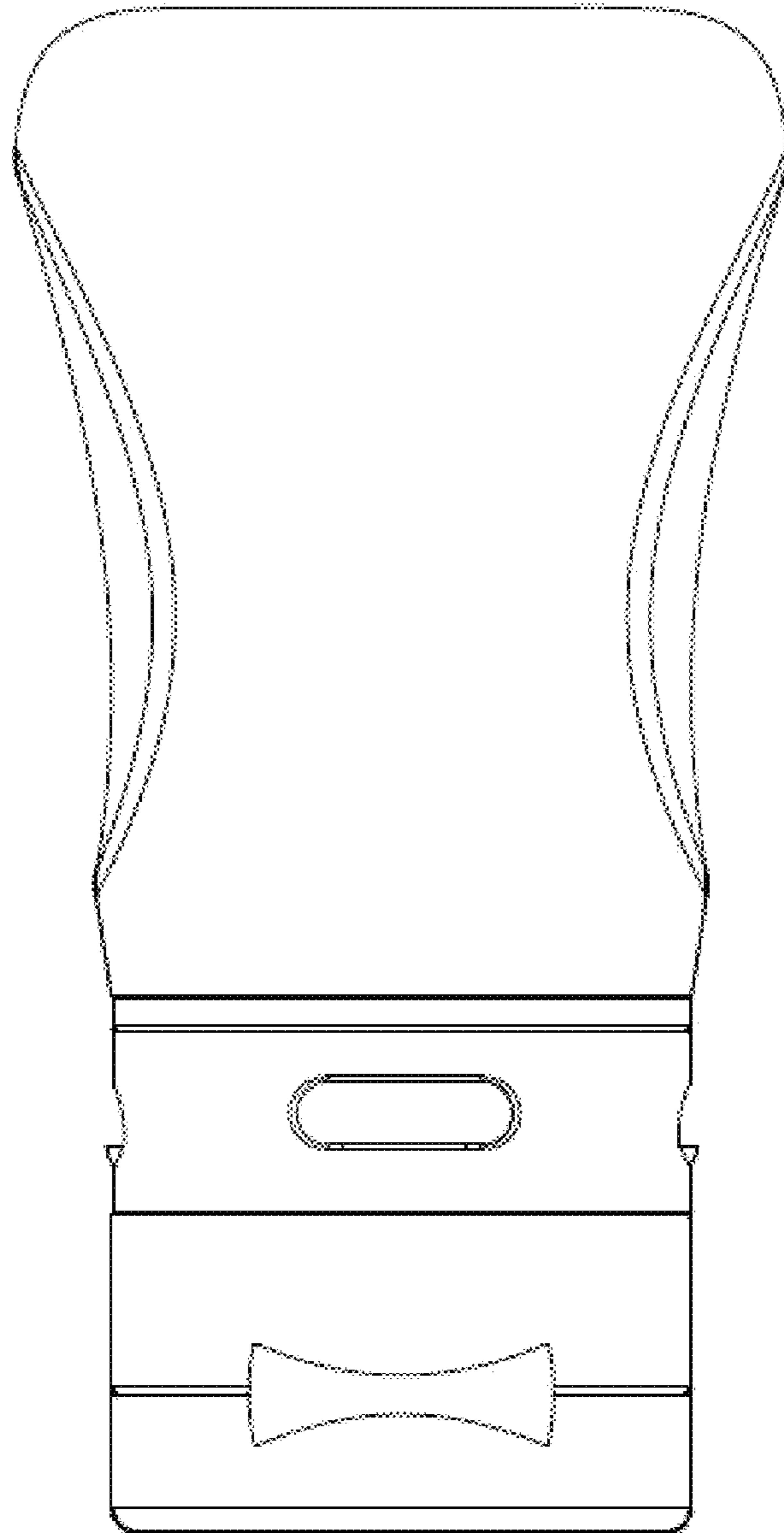


Figure 12

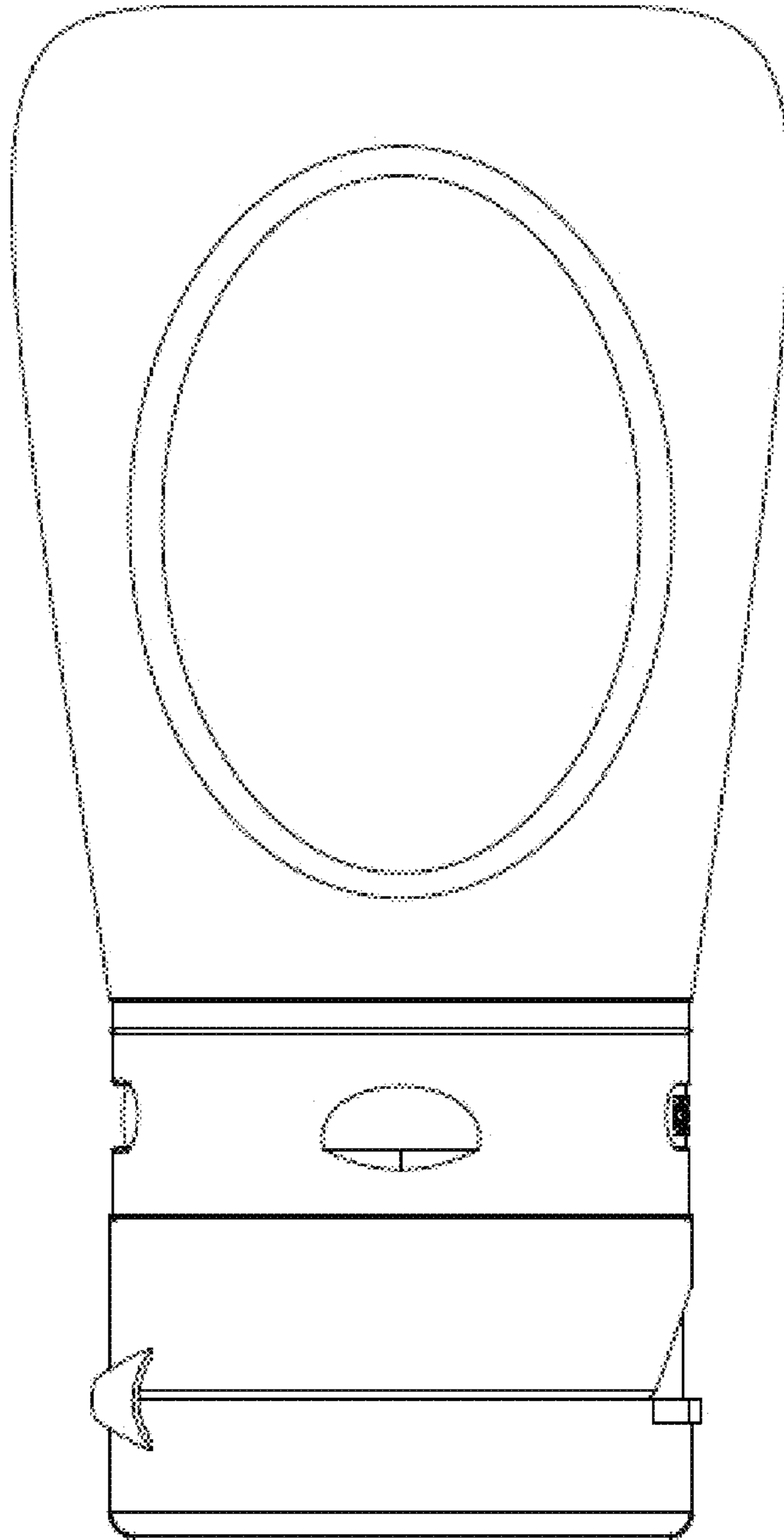


Figure 13

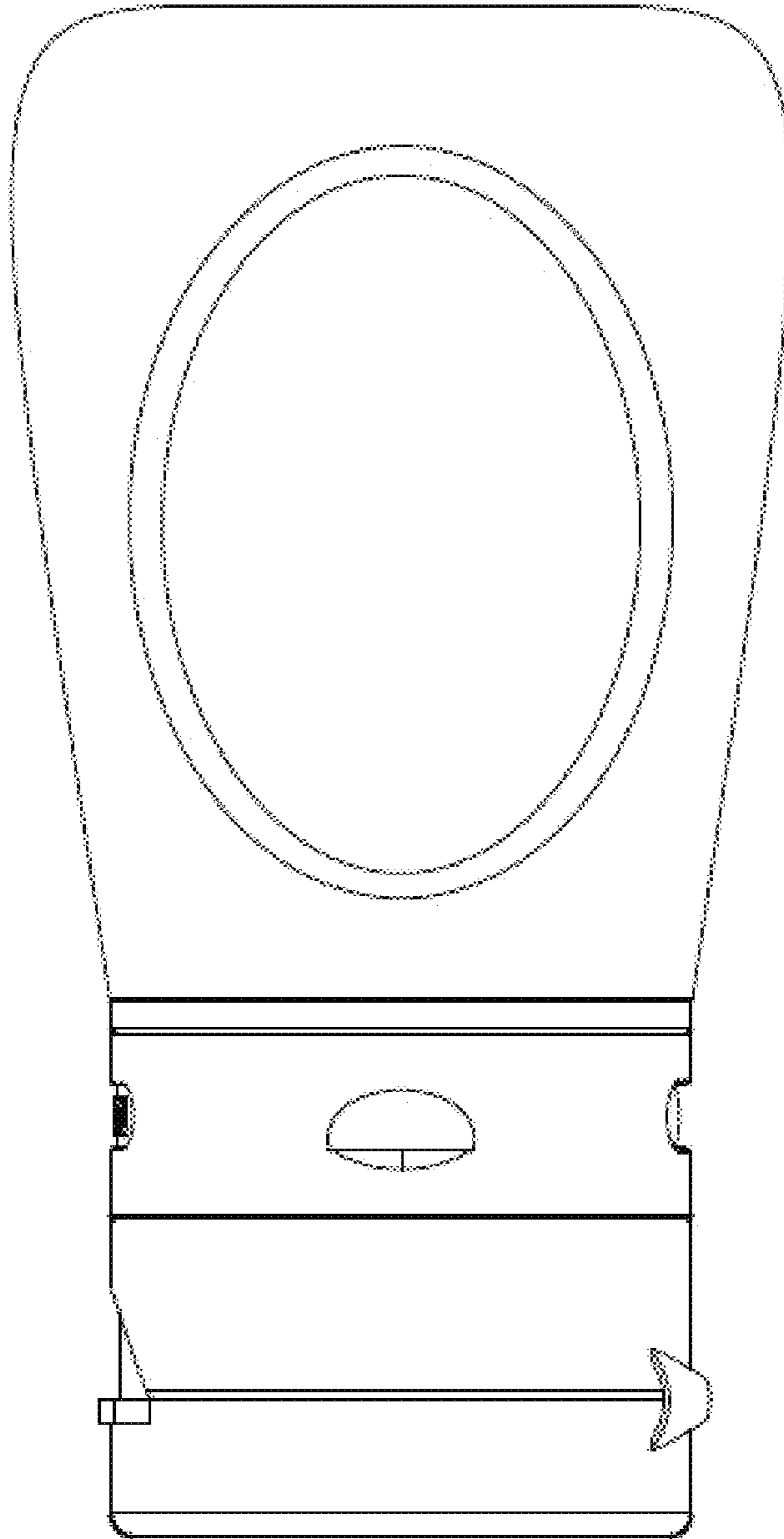


Figure 14

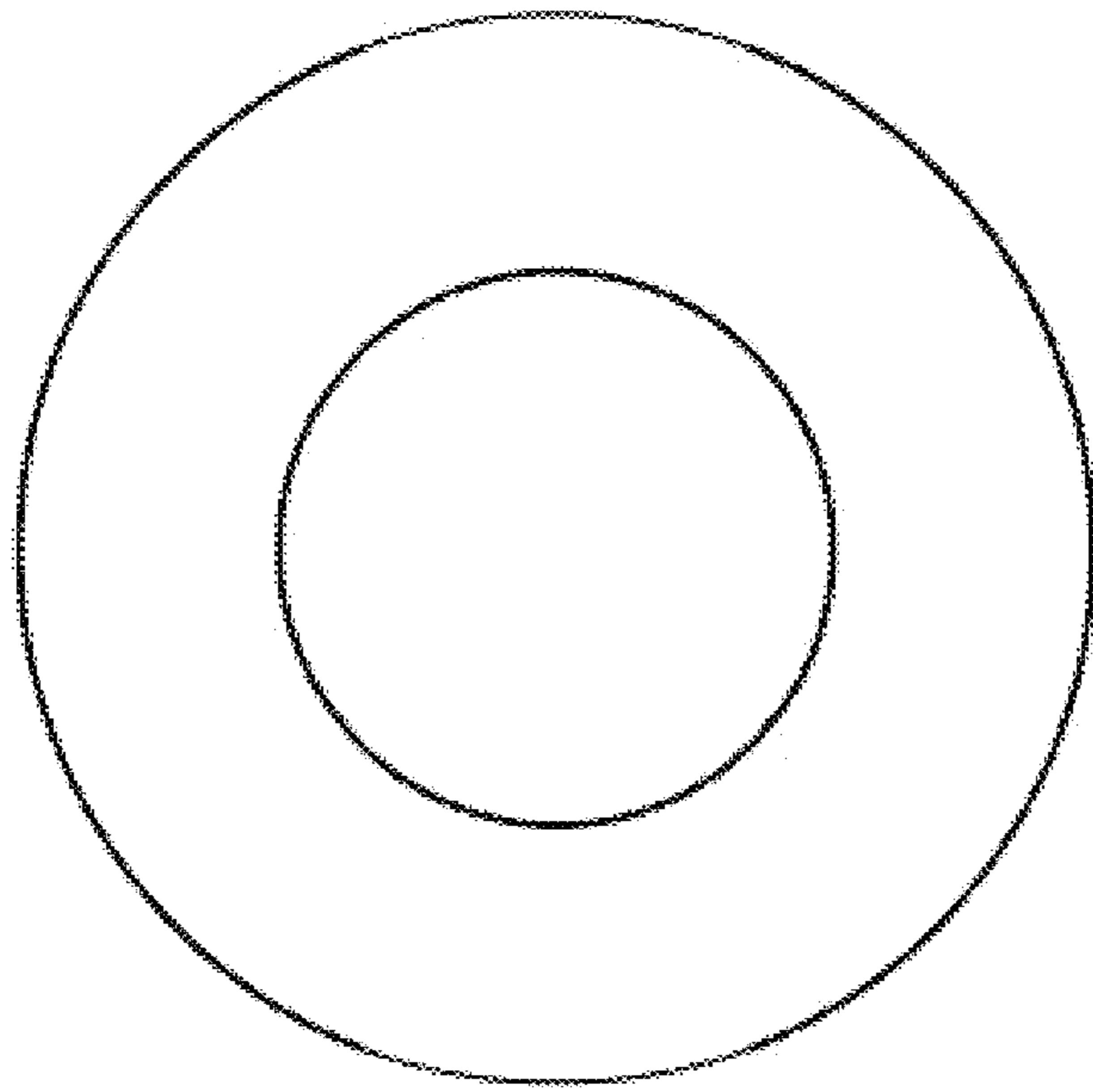


Figure 15

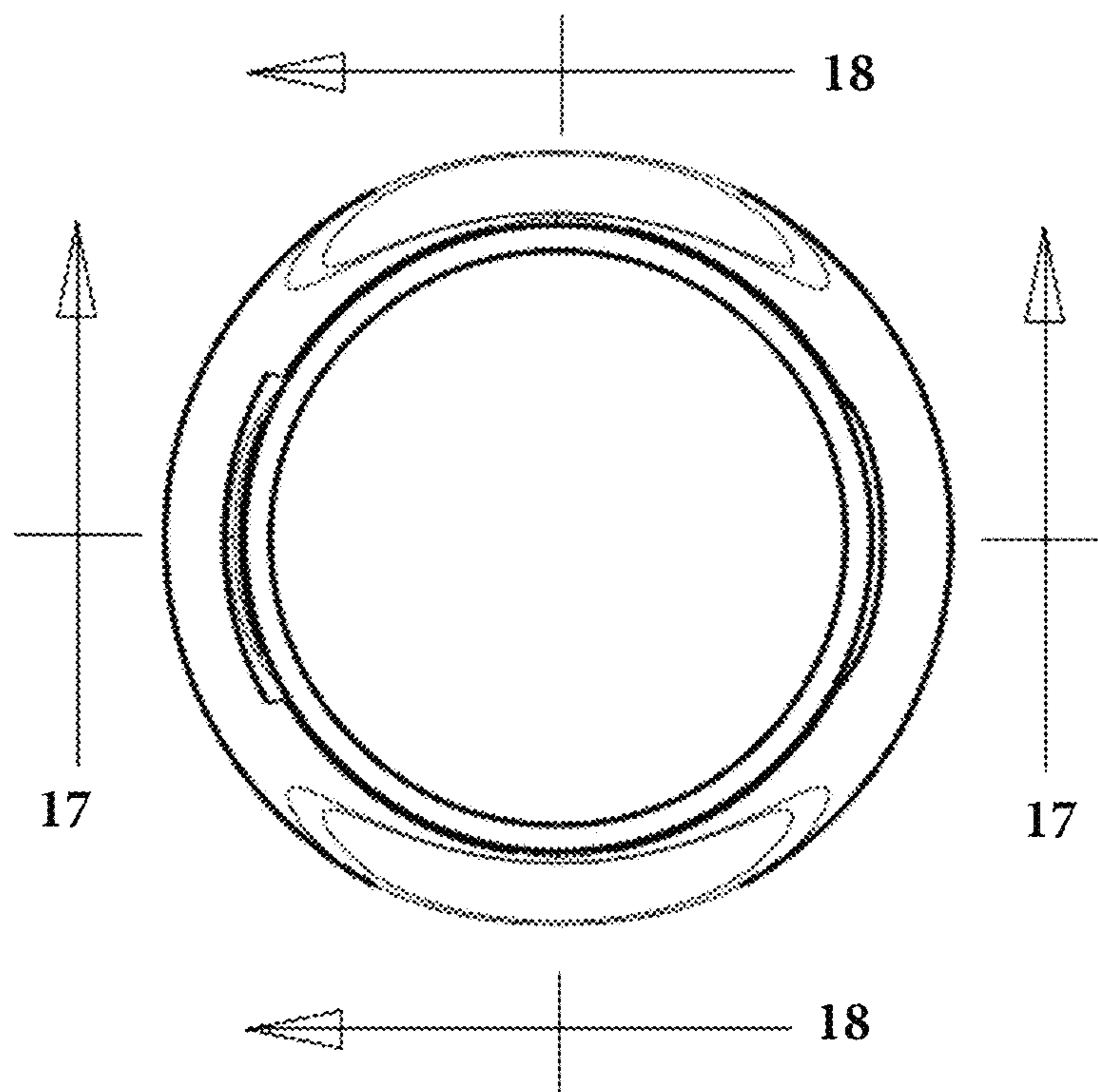


Figure 16

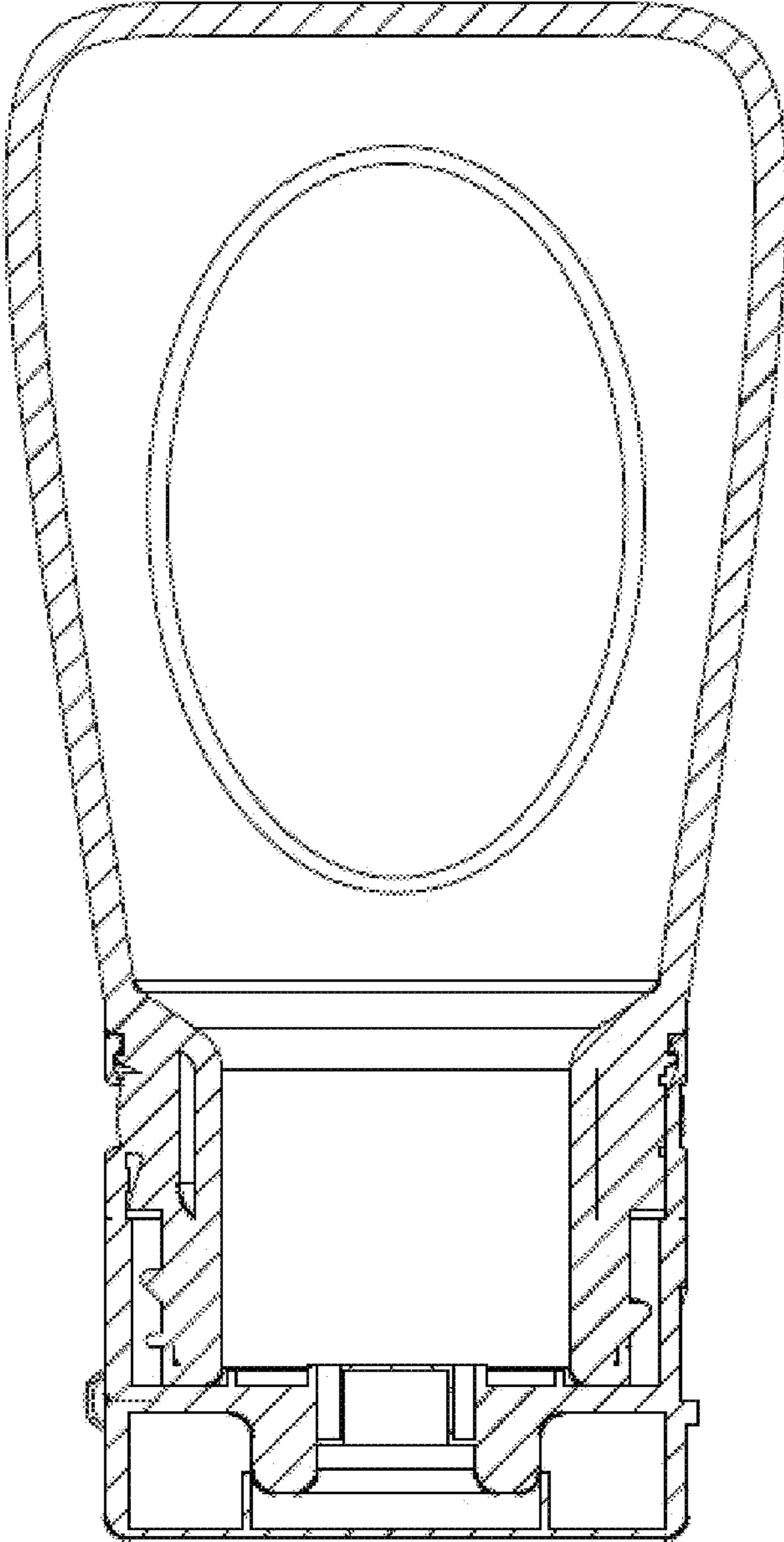


Figure 17



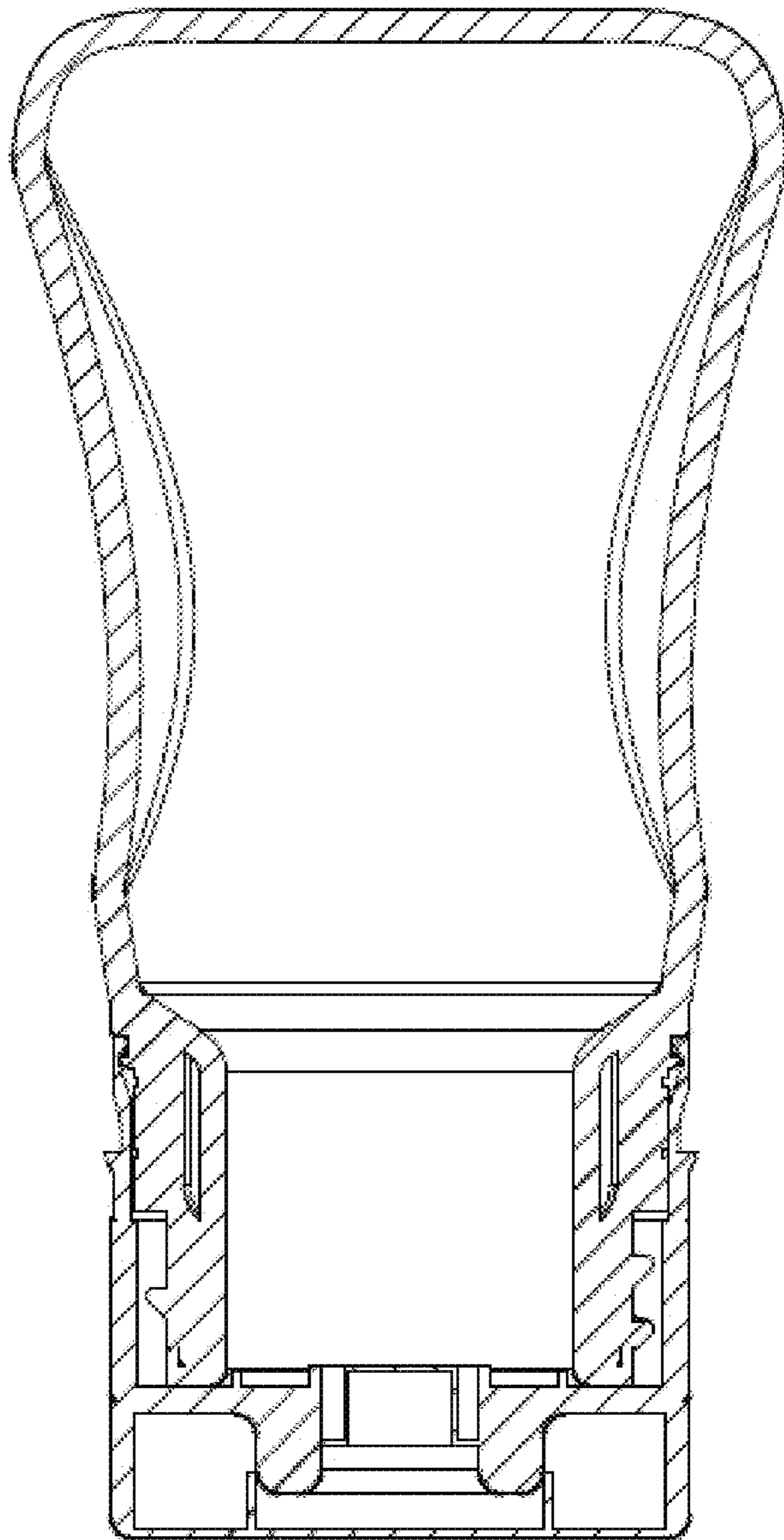


Figure 18