



US00D720990S

(12) **United States Design Patent**
Jacobs et al.

(10) **Patent No.:** **US D720,990 S**

(45) **Date of Patent:** **** Jan. 13, 2015**

(54) **OUTER CORNERS OF A CONTAINER LID**

(71) Applicants: **Tanya M. Jacobs**, DeForest, WI (US);
Jeffrey S. Baillies, Oregon, WI (US);
Donald E. McCumber, Madison, WI (US)

(72) Inventors: **Tanya M. Jacobs**, DeForest, WI (US);
Jeffrey S. Baillies, Oregon, WI (US);
Donald E. McCumber, Madison, WI (US)

(73) Assignee: **Plancon Corporation**, Madison, WI (US)

(**) Term: **14 Years**

(21) Appl. No.: **29/454,365**

(22) Filed: **May 9, 2013**

(51) **LOC (10) Cl.** **09-07**

(52) **U.S. Cl.**
USPC **D9/435**

(58) **Field of Classification Search**
USPC D9/423-427, 430-432, 434, 435;
206/508, 518, 505, 514; 220/657, 781,
220/23.6, 380, 315, 266, 270, 643, 675;
D7/391, 392, 629; D3/318

See application file for complete search history.

(56) **References Cited**

U.S. PATENT DOCUMENTS

4,576,330	A *	3/1986	Schepp	220/315
D323,114	S *	1/1992	Sheehan	D9/420
D407,014	S *	3/1999	McCann	D9/423
D533,451	S	12/2006	McCumber		
D575,095	S *	8/2008	Schreiber-Pethan et al.	..	D7/354

(Continued)

Primary Examiner — Susan Bennett Hattan

Assistant Examiner — Brett Miller

(74) *Attorney, Agent, or Firm* — Stiennon & Stiennon

(57) **CLAIM**

The ornamental design for the outer corners of a container lid, as shown and described.

DESCRIPTION

FIG. 1 is a perspective view of the outer corners of a container lid of this invention;

FIG. 2 is a top plan view thereof;

FIG. 3 is a front elevational view thereof, the rear view being identical thereto, and the right side view and the left side view being mirror images thereof.

FIG. 4 is a perspective view of the outer corners of a container lid of an alternative embodiment of this invention;

FIG. 5 is a top plan view thereof;

FIG. 6 is a front elevational view thereof, the rear view being identical thereto, and the right side view and the left side view being mirror images thereof.

FIG. 7 is a perspective view of the outer corners of a container lid of another alternative embodiment of this invention;

FIG. 8 is a top plan view thereof;

FIG. 9 is a front elevational view thereof, the rear view being identical thereto, and the right side view and the left side view being mirror images thereof.

FIG. 10 is a perspective view of the outer corners of a container lid of yet another alternative embodiment of this invention;

FIG. 11 is a top plan view thereof;

FIG. 12 is a front elevational view thereof, the rear view being identical thereto, and the right side view and the left side view being mirror images thereof.

FIG. 13 is a perspective view of the outer corners of a container lid of still another alternative embodiment of this invention;

FIG. 14 is a top plan view thereof;

FIG. 15 is a front elevational view thereof, the rear view being identical thereto, and the right side view and the left side view being mirror images thereof.

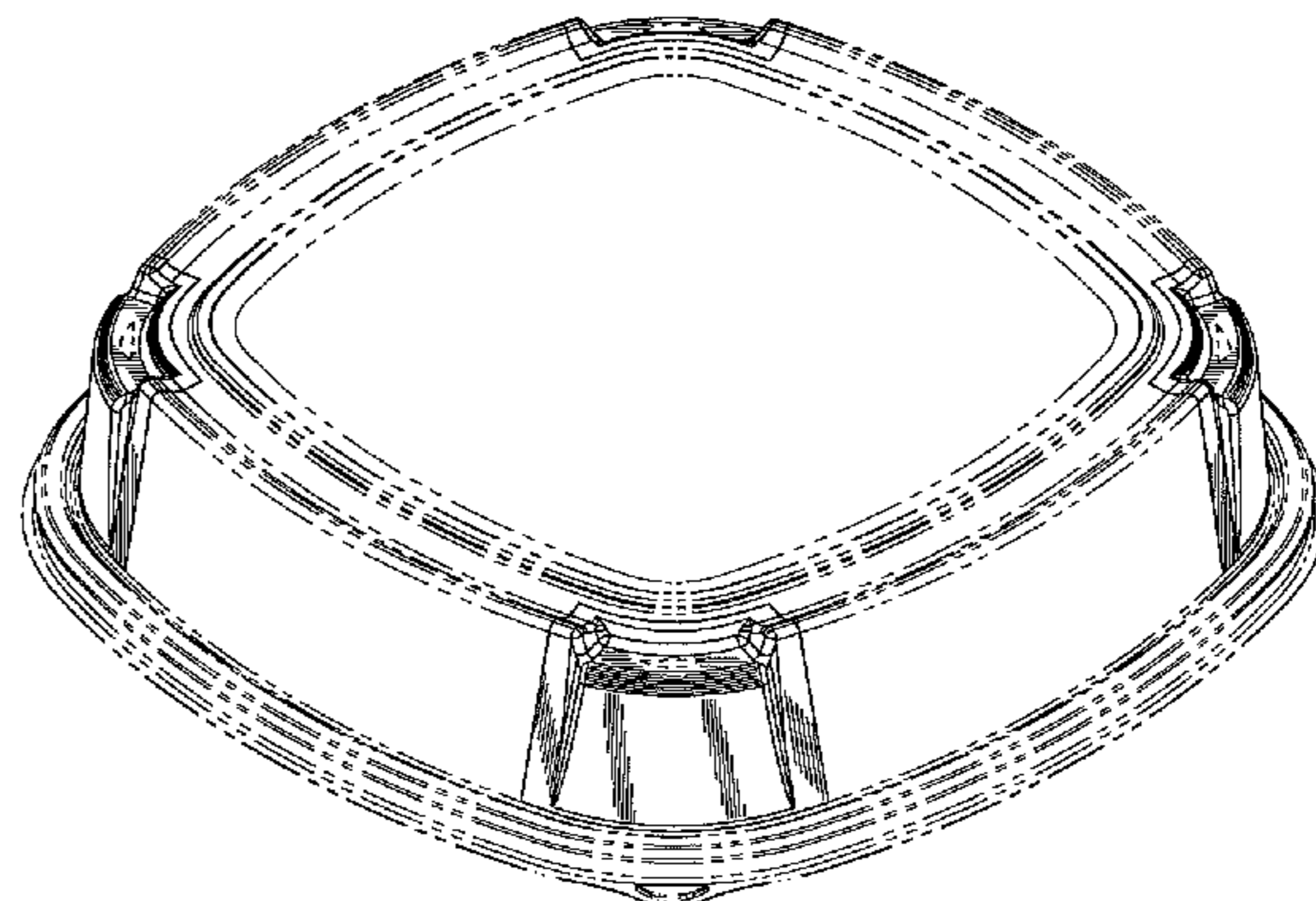
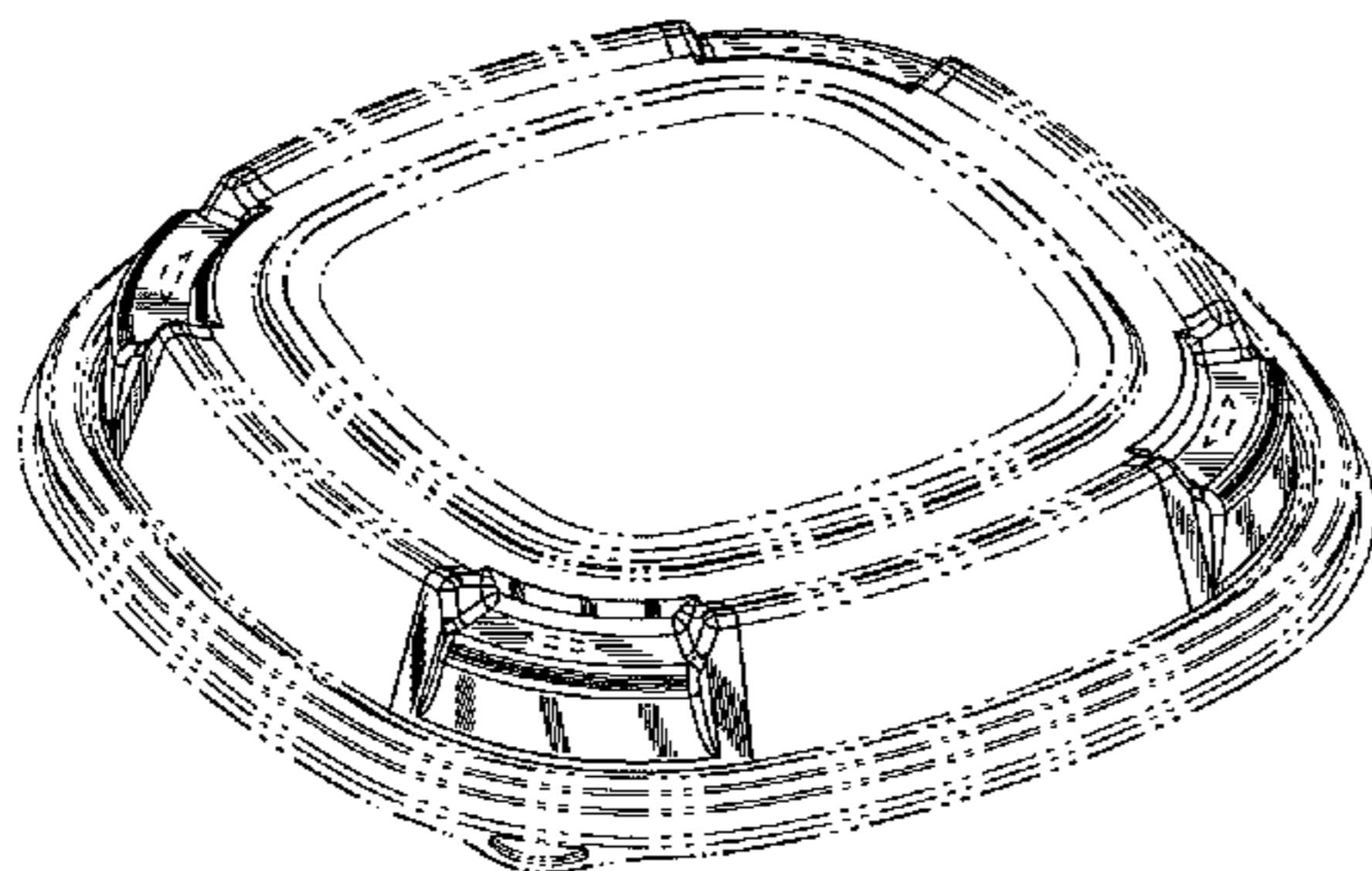
FIG. 16 is a perspective view of the outer corners of a container lid of a further alternative embodiment of this invention;

FIG. 17 is a top plan view thereof; and,

FIG. 18 is a front elevational view thereof, the rear view being identical thereto, and the right side view and the left side view being mirror images thereof.

The broken lines in the drawing depict environmental subject matter only and form no part of the claimed design.

1 Claim, 6 Drawing Sheets



(56)

References Cited

U.S. PATENT DOCUMENTS

D588,450 S *	3/2009	Snedden et al.	D9/424	D640,129 S *	6/2011	Sifuentes et al.	D9/425
D609,085 S *	2/2010	Brachman et al.	D9/415	D640,544 S *	6/2011	Sifuentes et al.	D9/425
D628,473 S *	12/2010	Golota et al.	D9/425	D645,342 S *	9/2011	Allers et al.	D9/434
D628,474 S *	12/2010	Snedden et al.	D9/426	D645,343 S *	9/2011	Allers et al.	D9/434
D635,848 S *	4/2011	Lawrence et al.	D9/425	D663,633 S *	7/2012	Rivera et al.	D9/737
				D671,408 S *	11/2012	Golota et al.	D9/434
				D672,644 S *	12/2012	Allers et al.	D9/423
				8,371,468 B2 *	2/2013	Sellari et al.	220/315

* cited by examiner

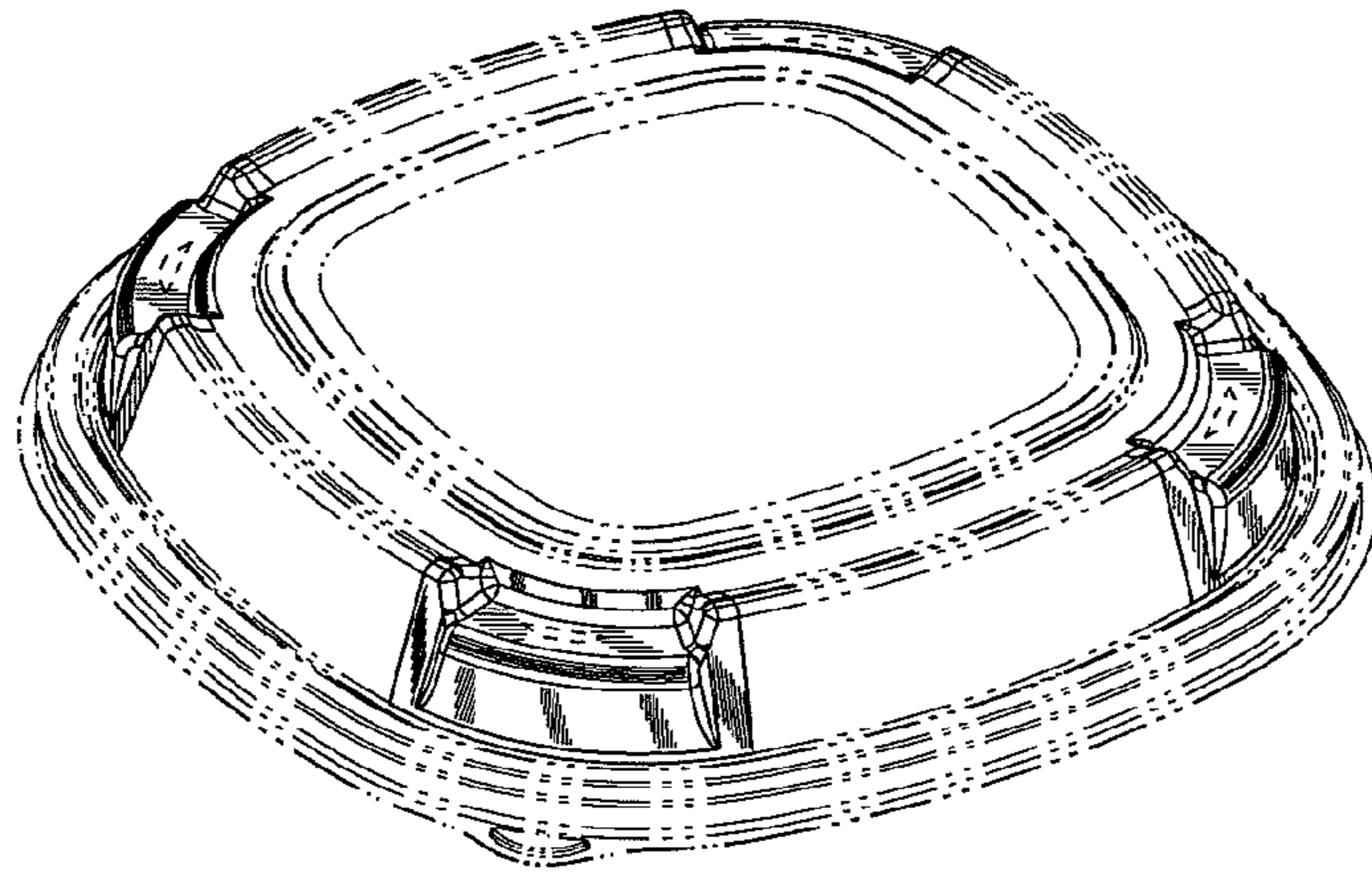


Fig.1

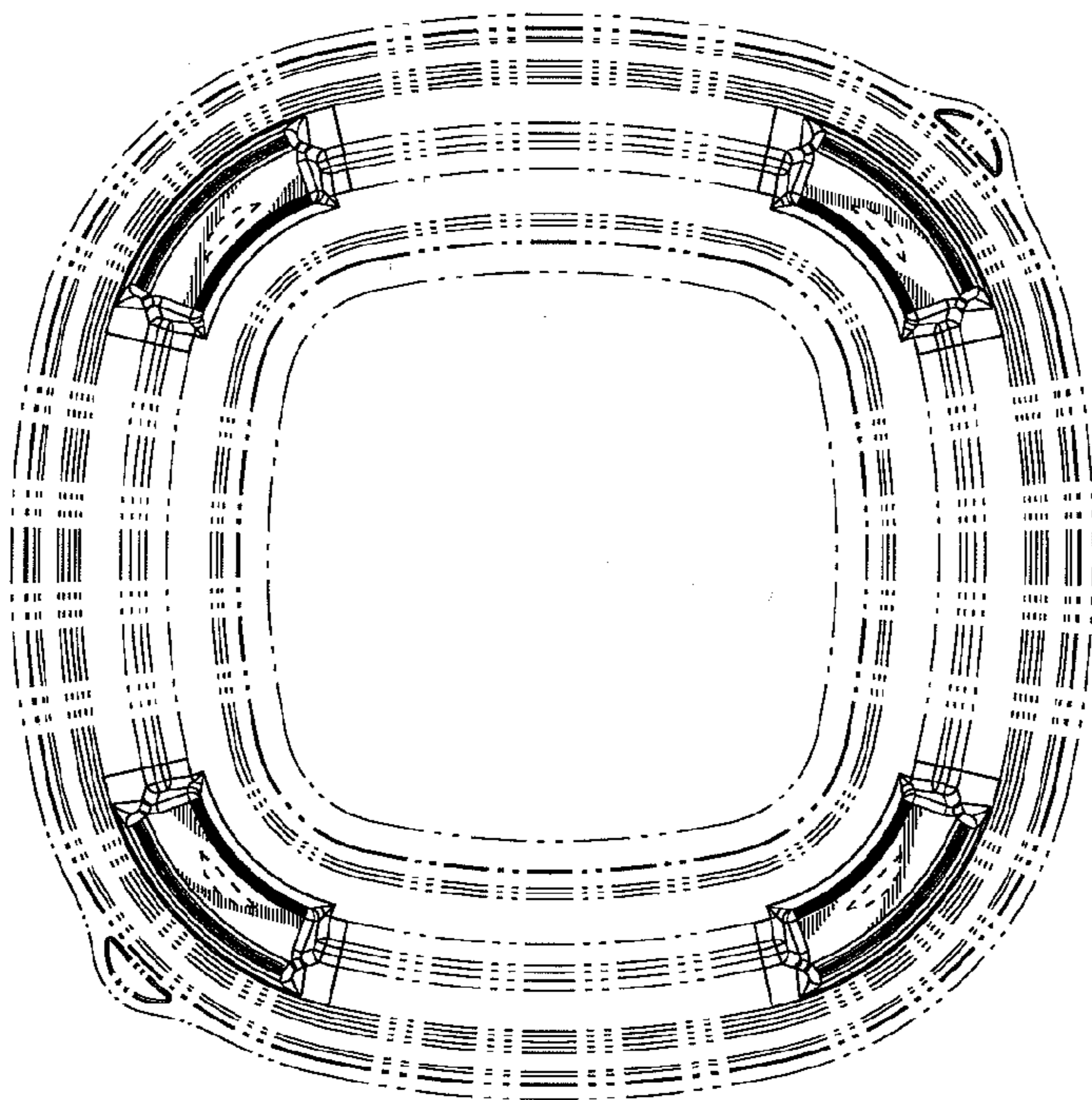


Fig.2

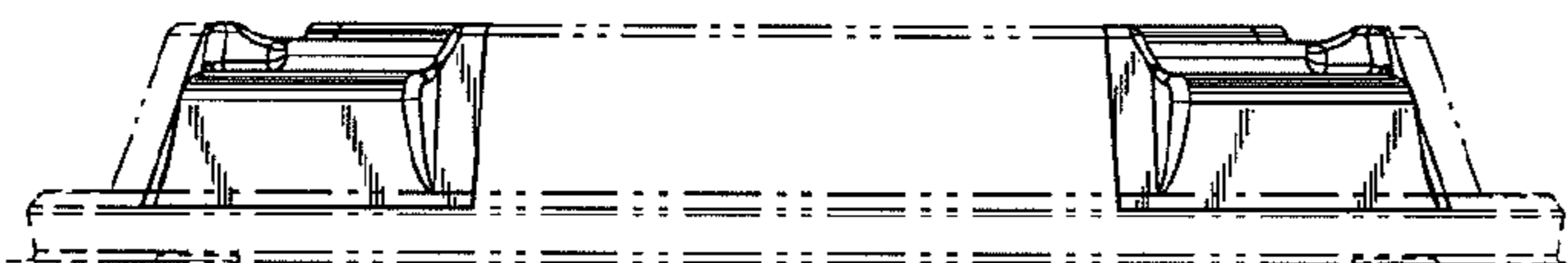


Fig.3

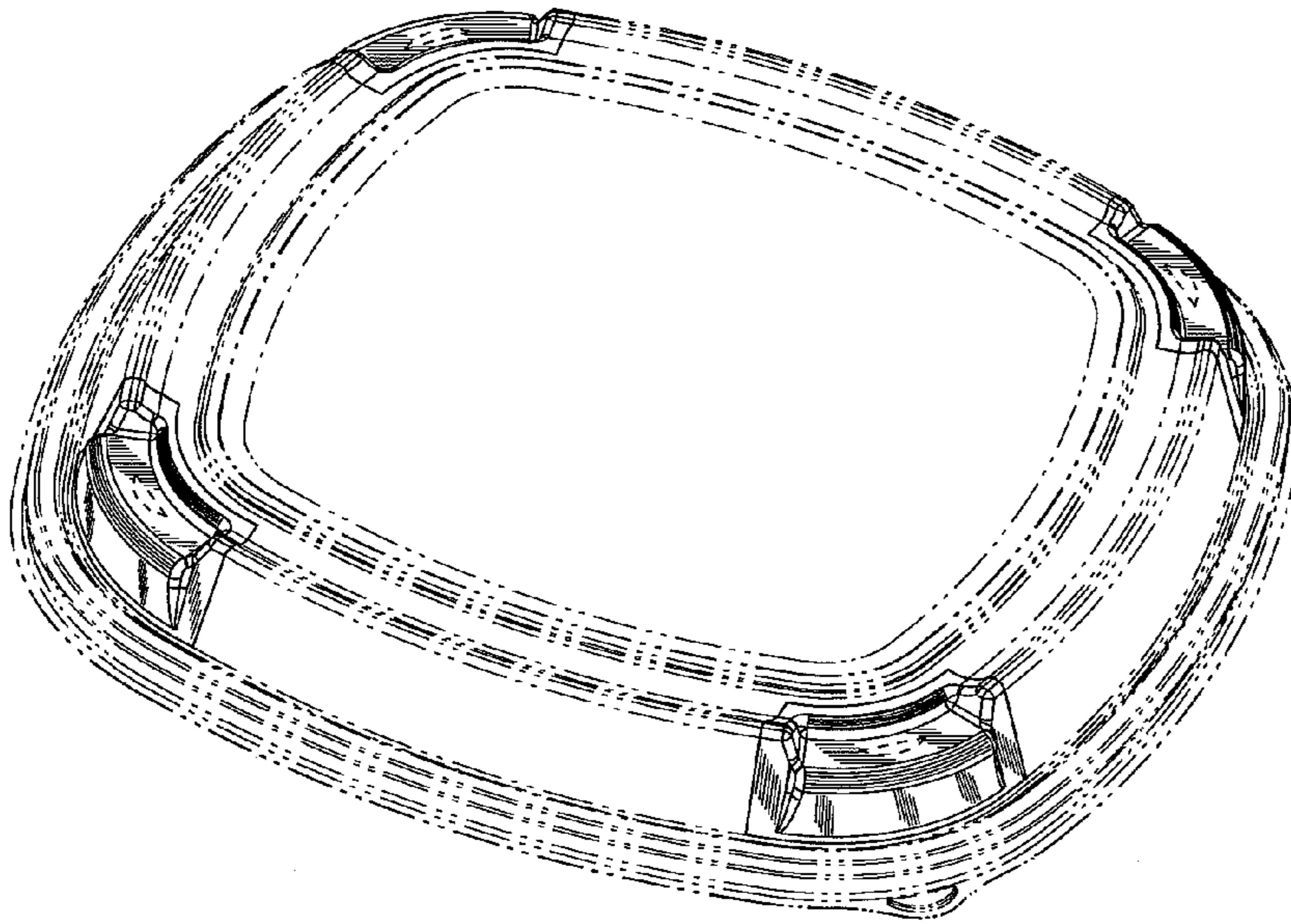


Fig.4

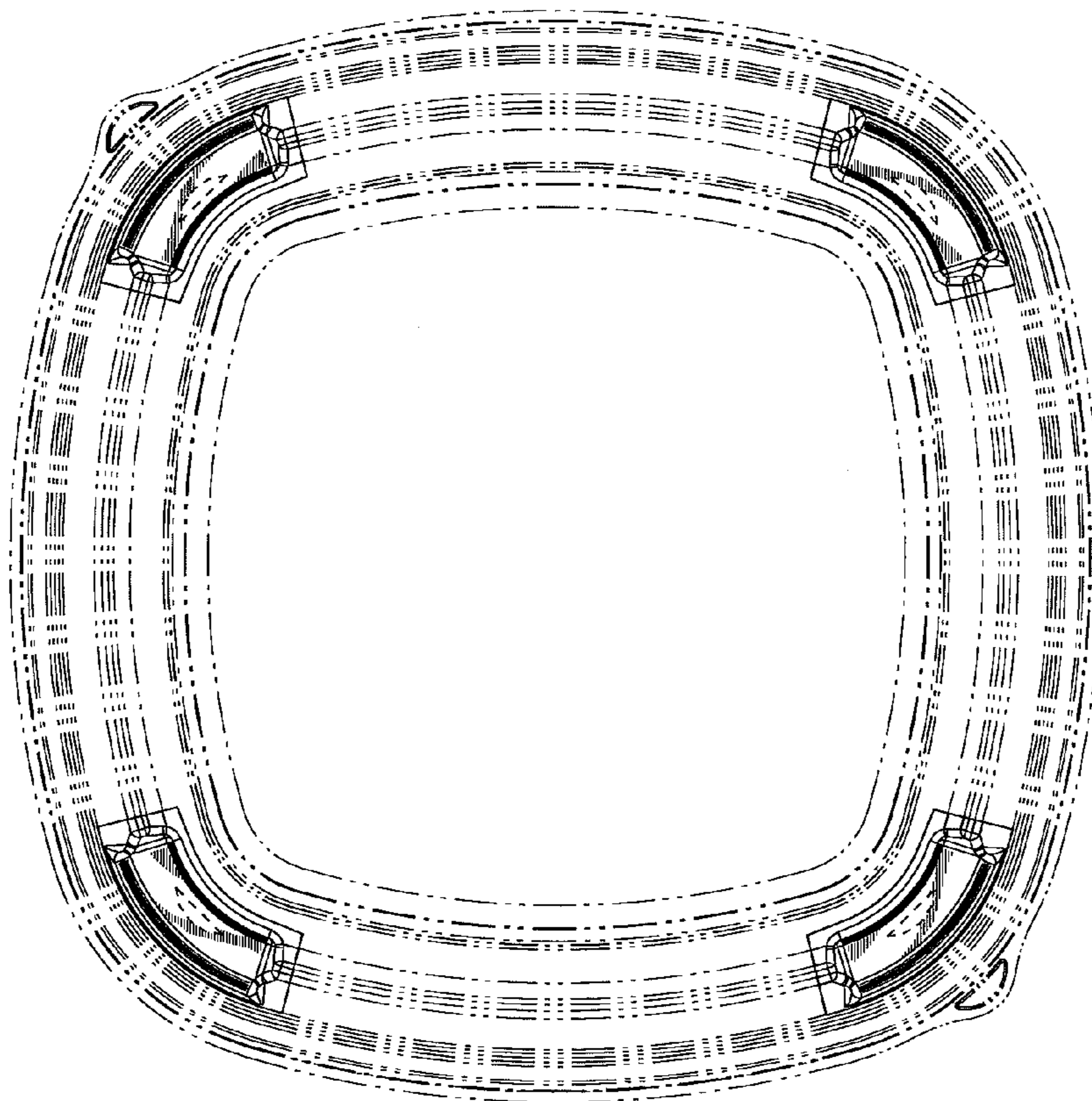


Fig.5

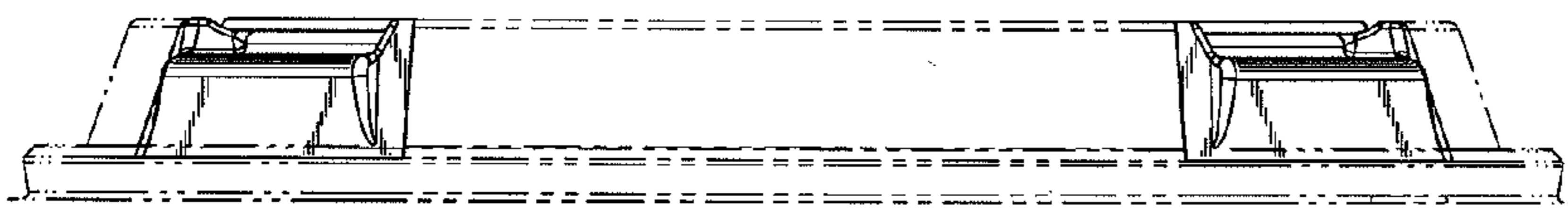


Fig.6

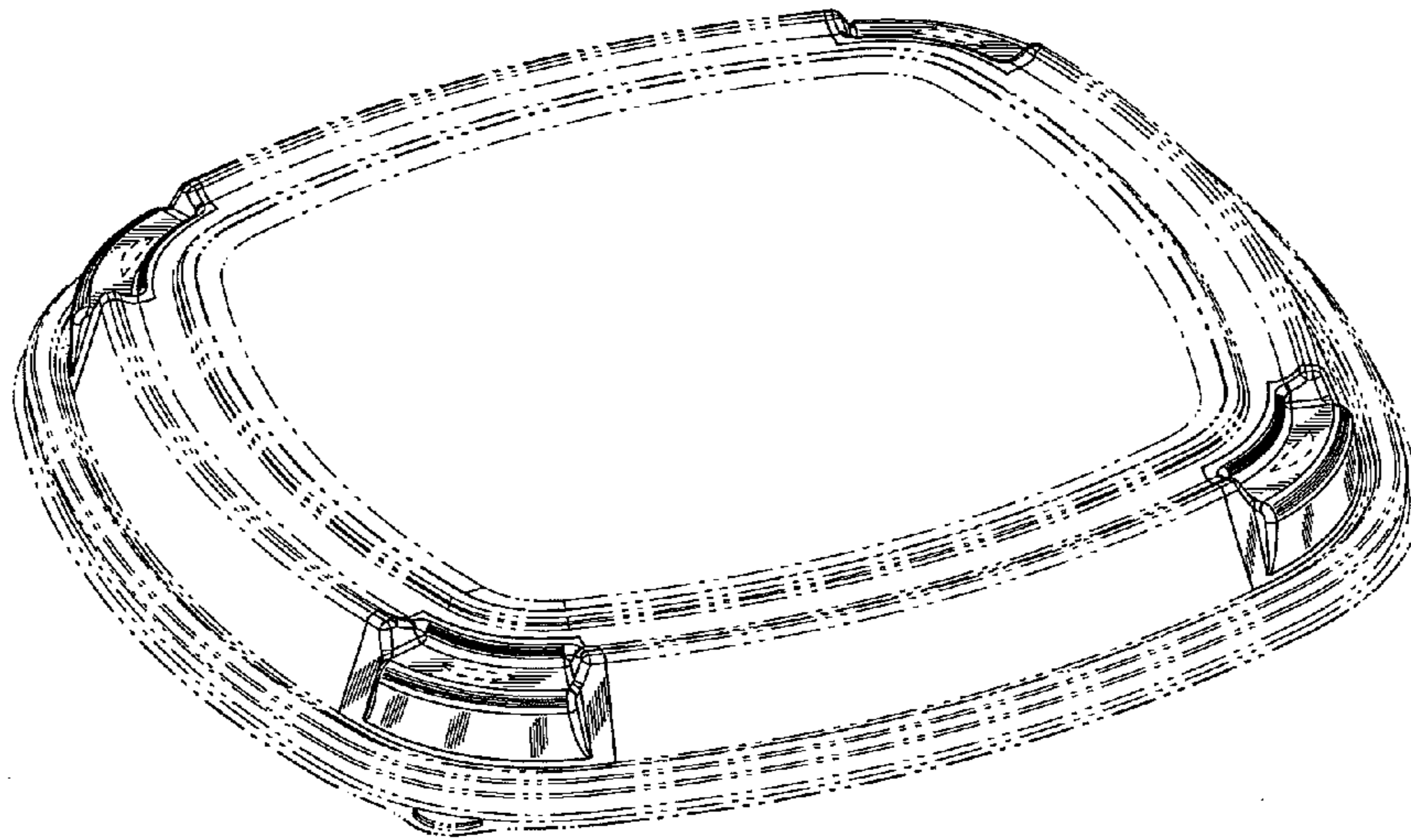


Fig.7

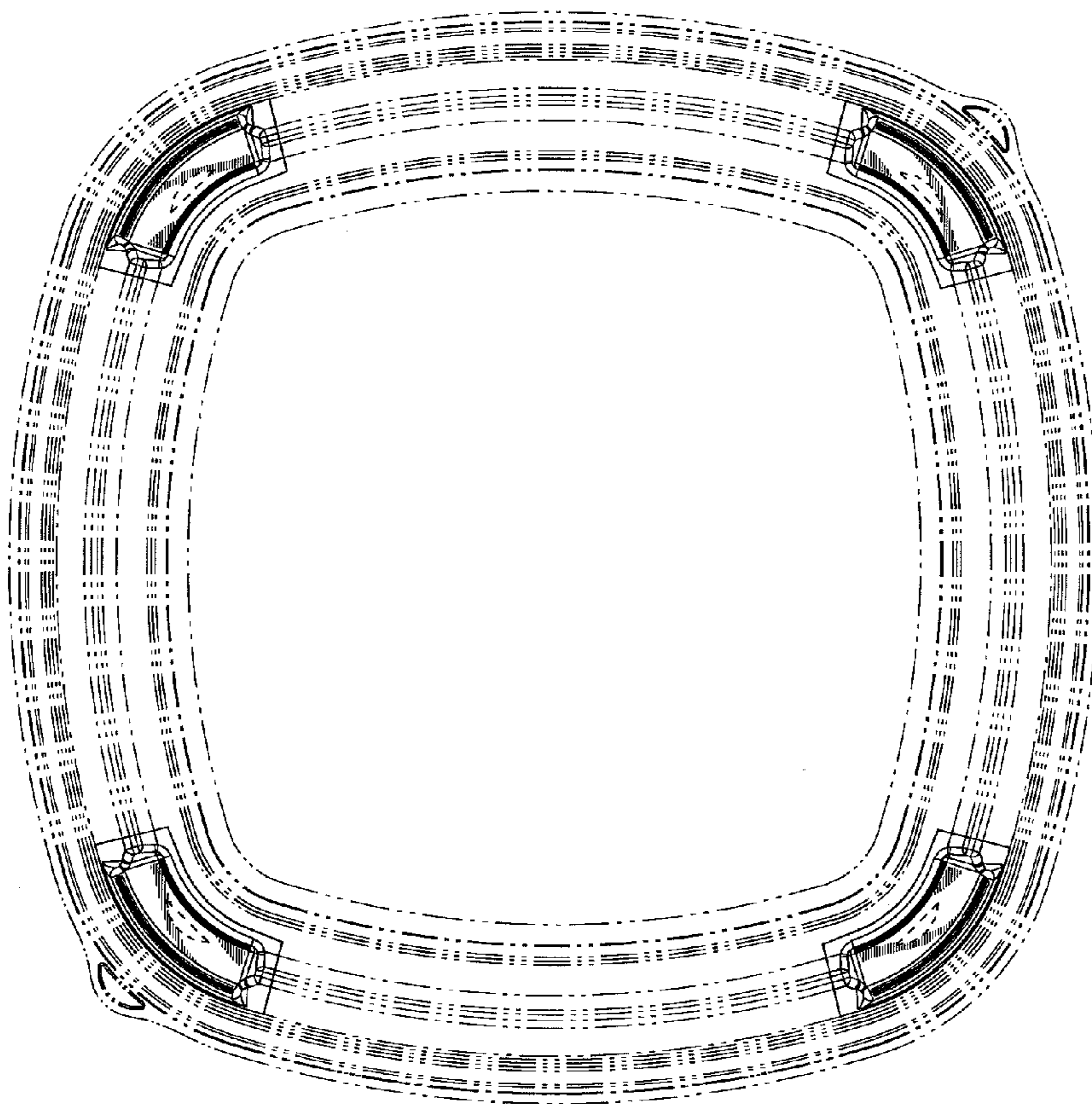


Fig.8

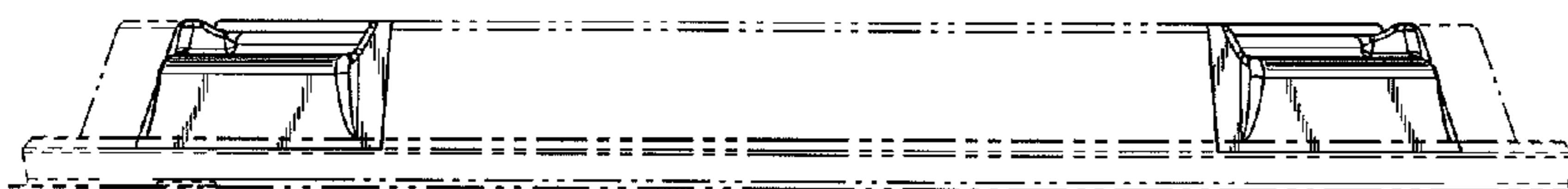


Fig.9

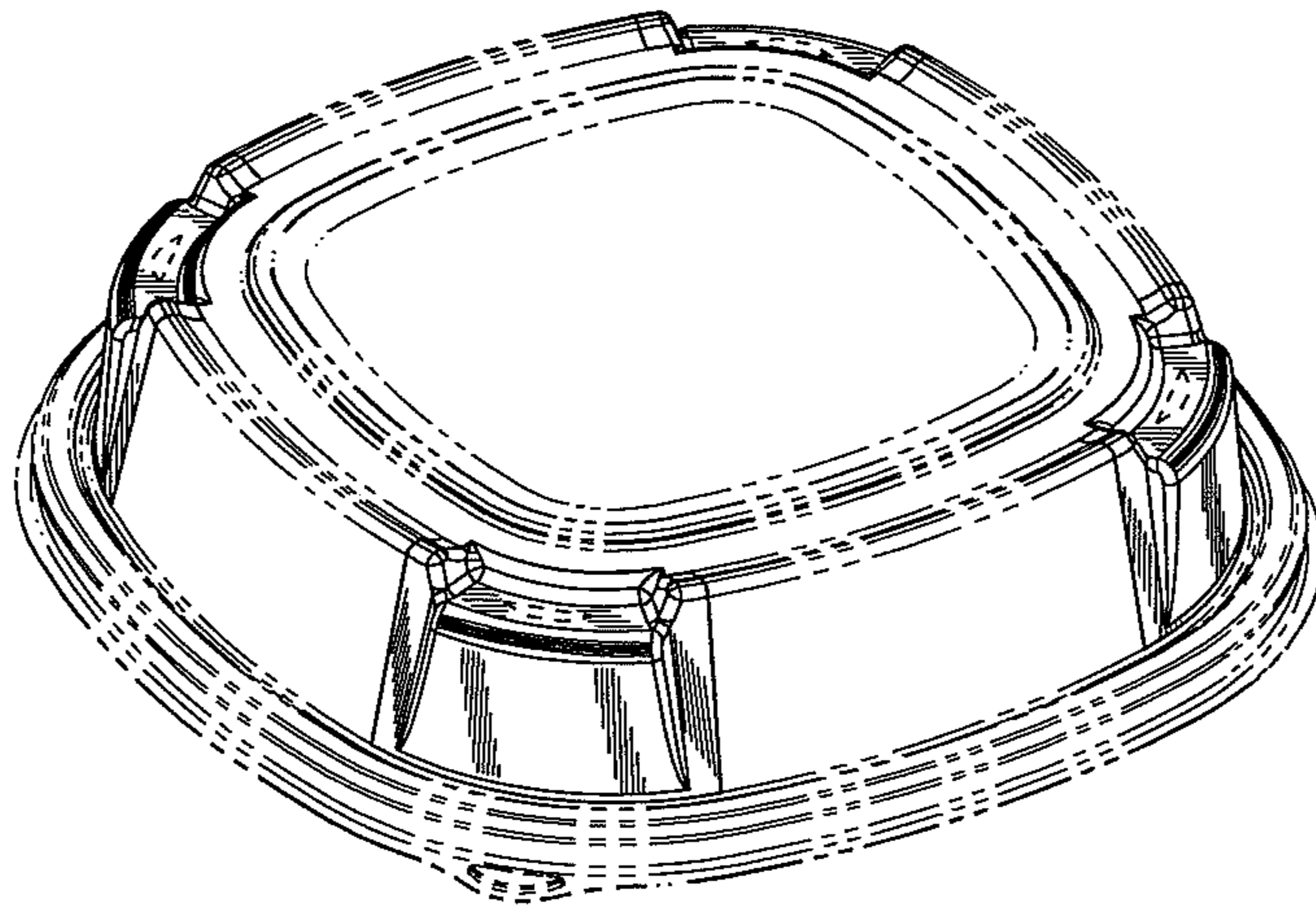


Fig.10

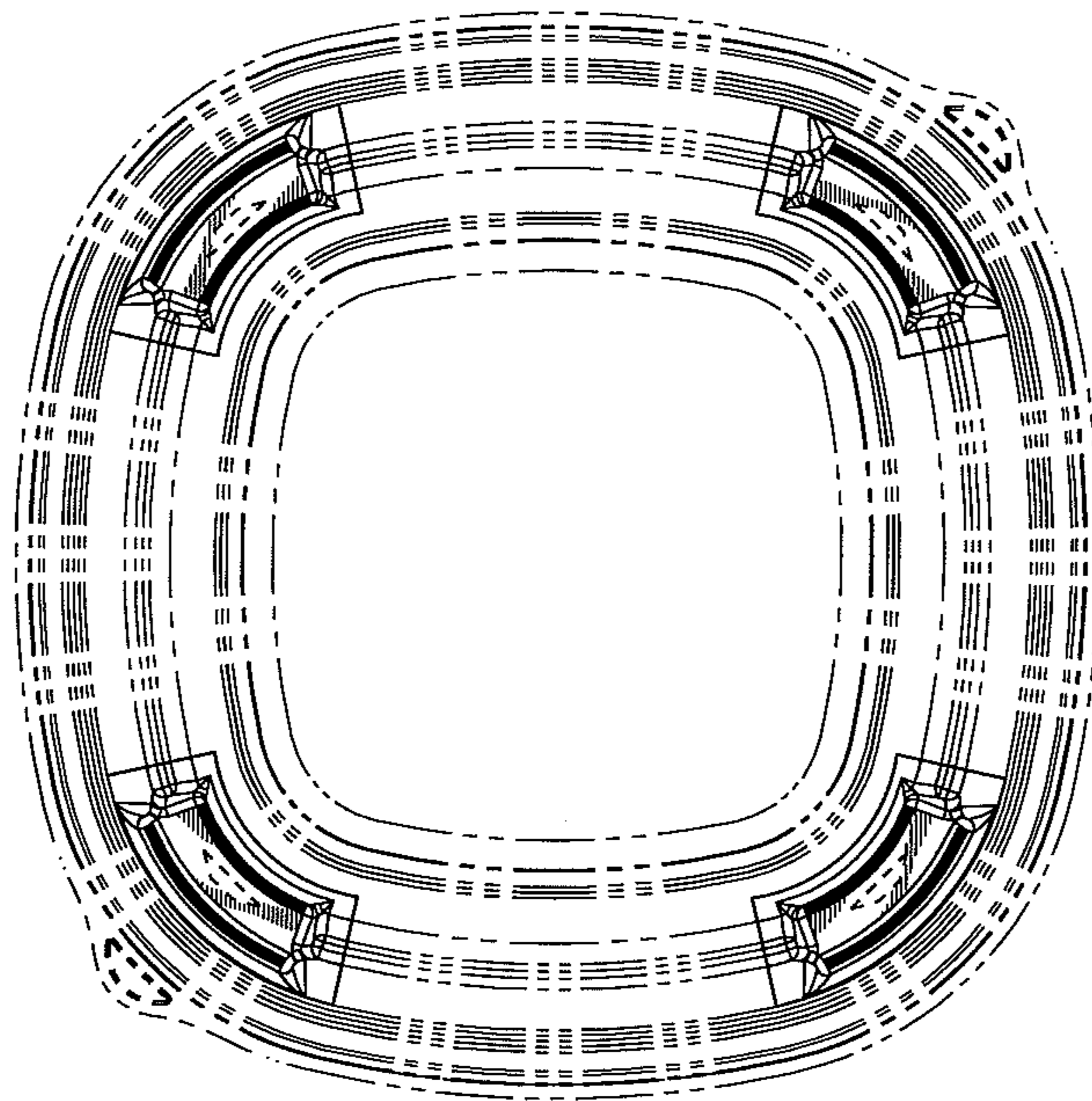


Fig.11

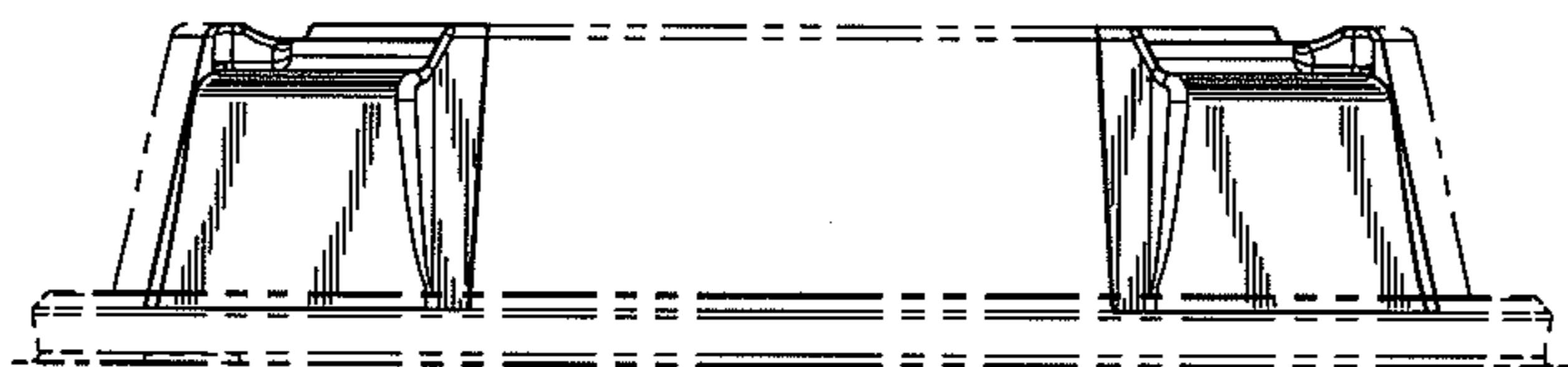


Fig.12

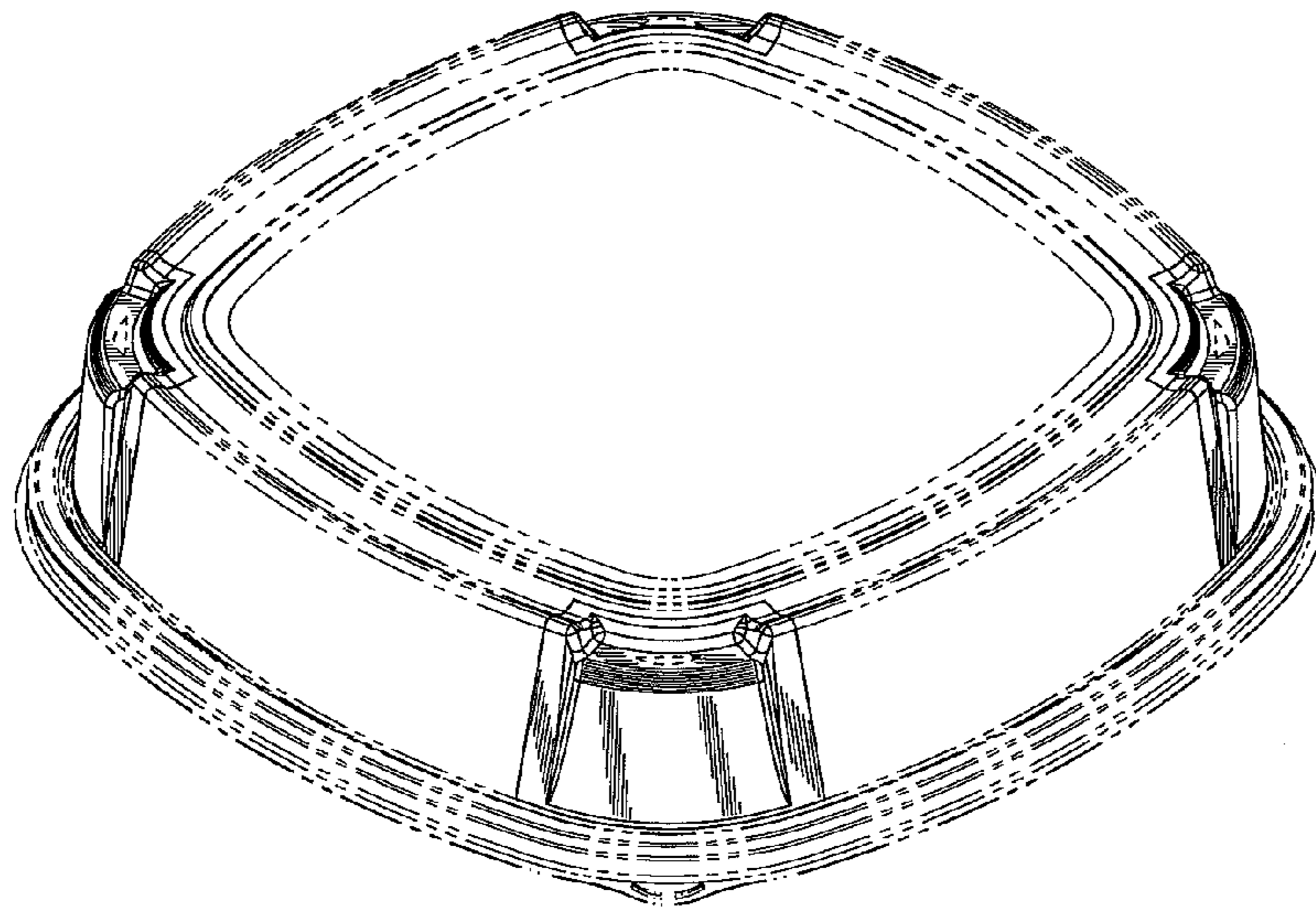


Fig.13

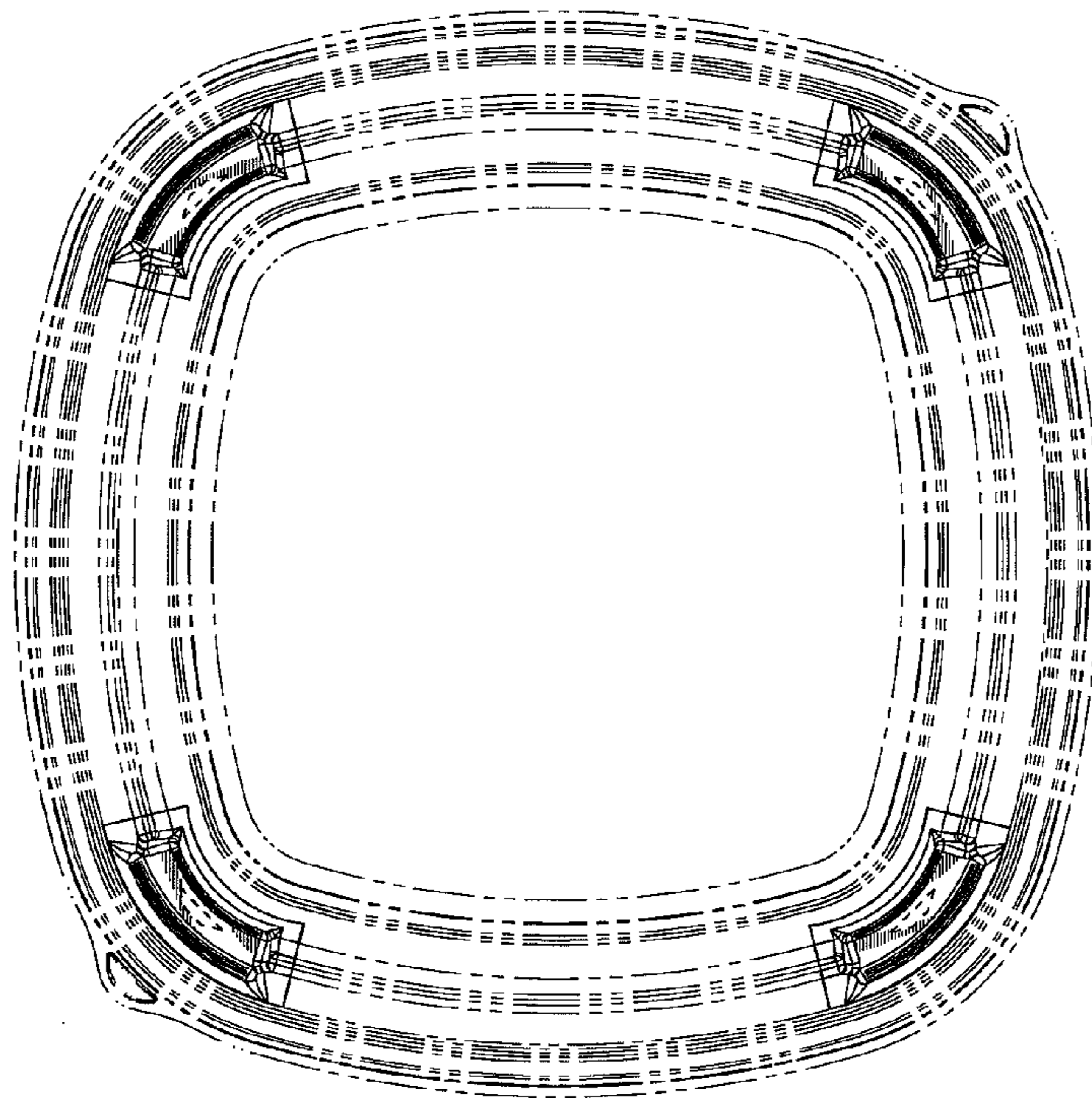


Fig.14

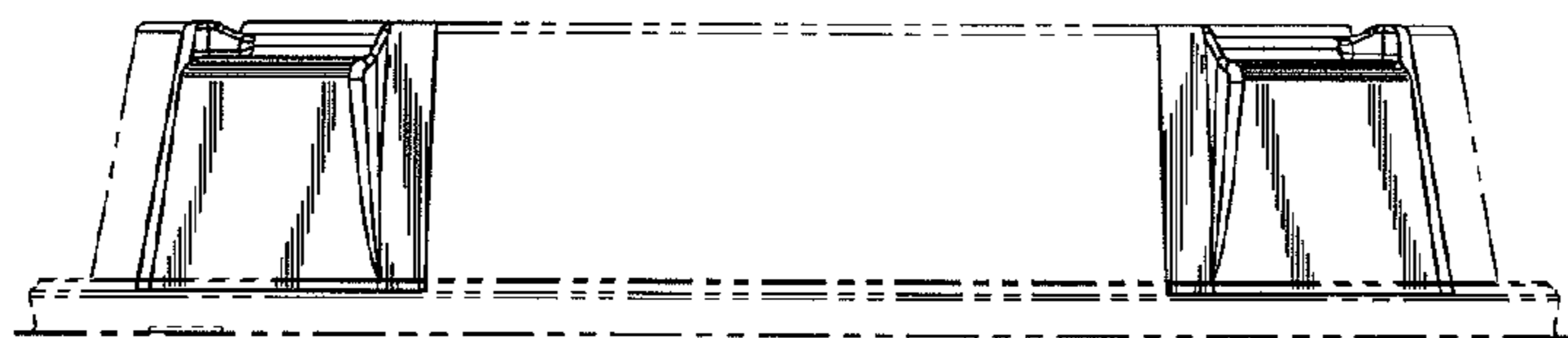


Fig.15

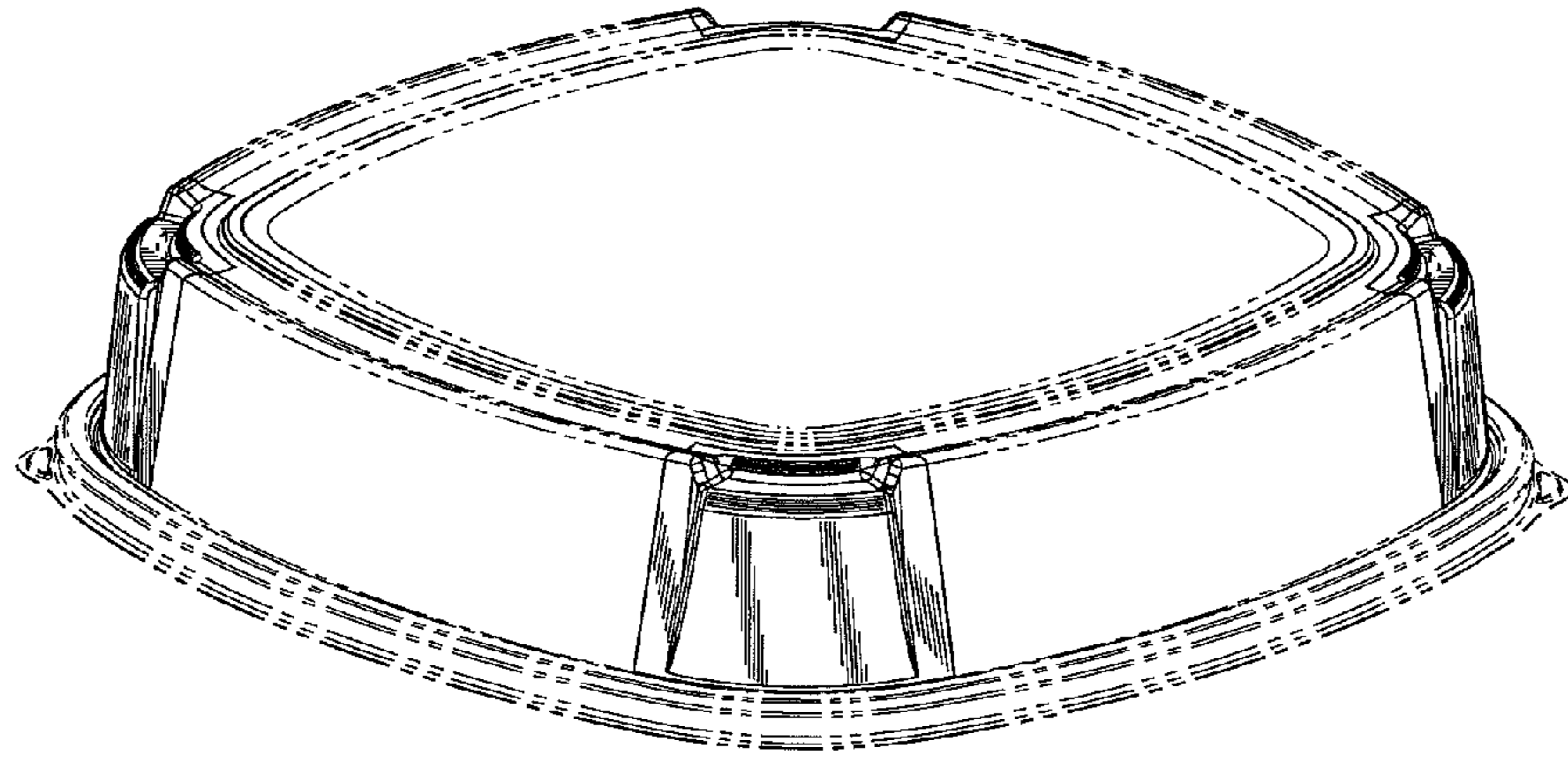


Fig.16

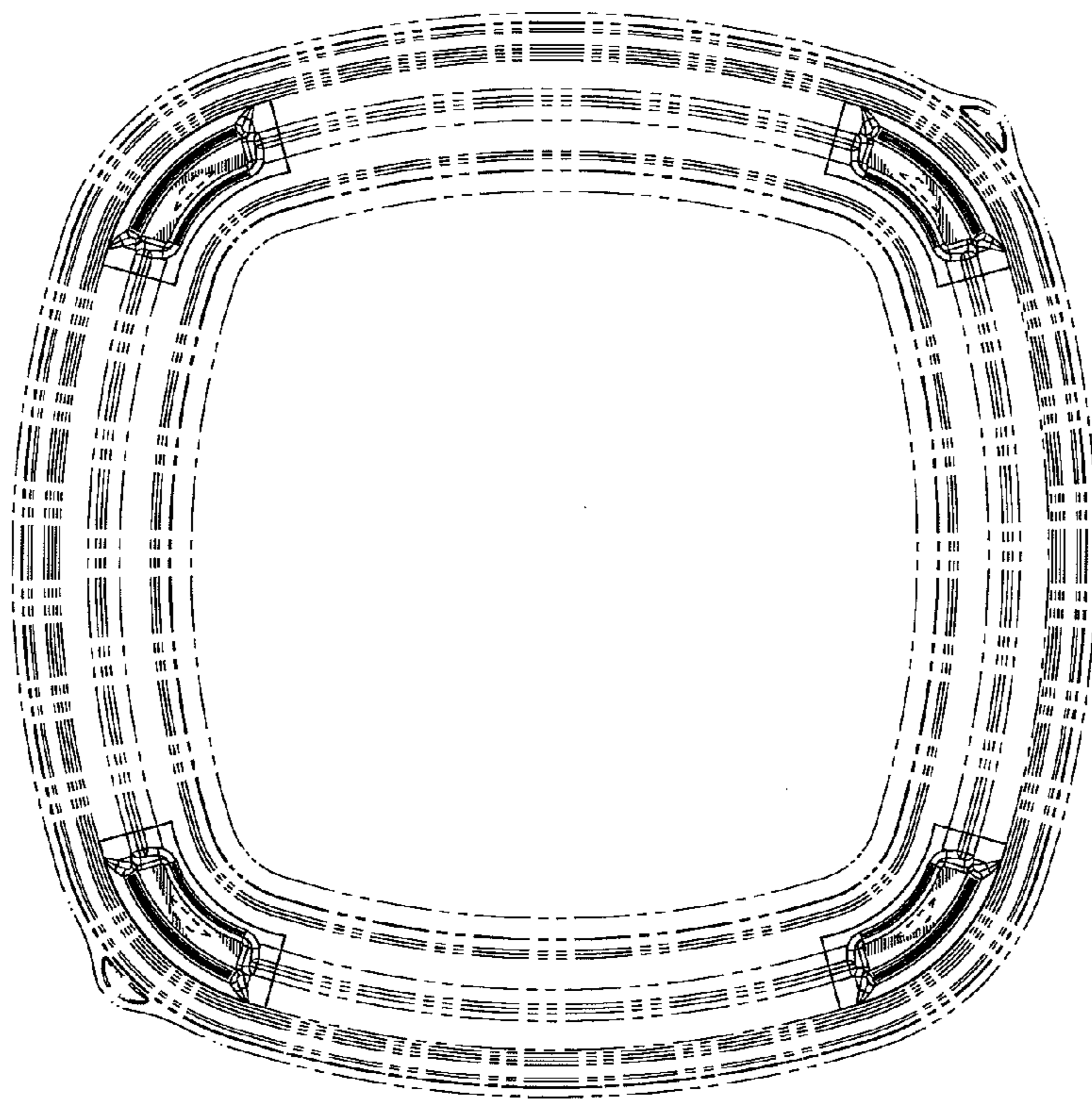


Fig.17



Fig.18