



US00D720988S

(12) **United States Design Patent**  
**Sierra Cardona**

(10) **Patent No.:** **US D720,988 S**  
(45) **Date of Patent:** **\*\* Jan. 13, 2015**

(54) **PRODUCT CONTAINER**

(71) Applicant: **John Jairo Sierra Cardona**, Bogotá (CO)

(72) Inventor: **John Jairo Sierra Cardona**, Bogotá (CO)

(73) Assignee: **Powerful Men LLC**, Miami, FL (US)

(\*\*) Term: **14 Years**

(21) Appl. No.: **29/439,499**

(22) Filed: **Dec. 12, 2012**

(51) **LOC (10) Cl.** ..... **09-03**

(52) **U.S. Cl.**  
USPC ..... **D9/424**

(58) **Field of Classification Search**  
CPC ..... B65D 2571/0066; B65D 2571/0029;  
B65D 71/0223; B65D 2543/0026; B65D  
2543/00092; B65D 2543/00509; B65D  
21/0233; B65D 1/265; B65D 81/3453; B65D  
25/107

USPC ..... D9/414, 424, 428, 429, 500, 502, 516;  
D7/509, 514, 529, 560, 586, 601, 602;  
D3/202; 220/669, 670, 674, 675

See application file for complete search history.

(56) **References Cited**

**U.S. PATENT DOCUMENTS**

3,589,552 A 6/1971 Fitzgerald et al.  
D258,338 S \* 2/1981 Gersin ..... D7/584  
D264,418 S \* 5/1982 Wathen, Jr. .... D7/565

4,679,699 A 7/1987 Malsbury et al.  
4,726,489 A 2/1988 Padovani  
6,779,673 B2 \* 8/2004 Melrose et al. .... 215/381  
D534,428 S \* 1/2007 Reed et al. .... D9/516  
D627,636 S \* 11/2010 Fang ..... D9/429  
D701,115 S \* 3/2014 Doerr et al. .... D9/424  
2007/0125777 A1 6/2007 Massop

**OTHER PUBLICATIONS**

Yoplait Yogurt, yogurt container, Internet image downloaded Mar. 12, 2013.

\* cited by examiner

*Primary Examiner* — Derrick Holland

*Assistant Examiner* — Lauren Calve

(74) *Attorney, Agent, or Firm* — Hasse & Nesbitt LLC; Daniel F. Nesbitt

(57) **CLAIM**

I claim the ornamental design for a product container, as shown and described.

**DESCRIPTION**

FIG. 1 is a perspective view of a product container of the new design.

FIG. 2 is a front side view thereof, the back side, right side, and left side being identical.

FIG. 3 is a top view thereof.

FIG. 4 is a bottom view thereof.

FIG. 5 is a perspective view of a product container of the new design according to a second embodiment.

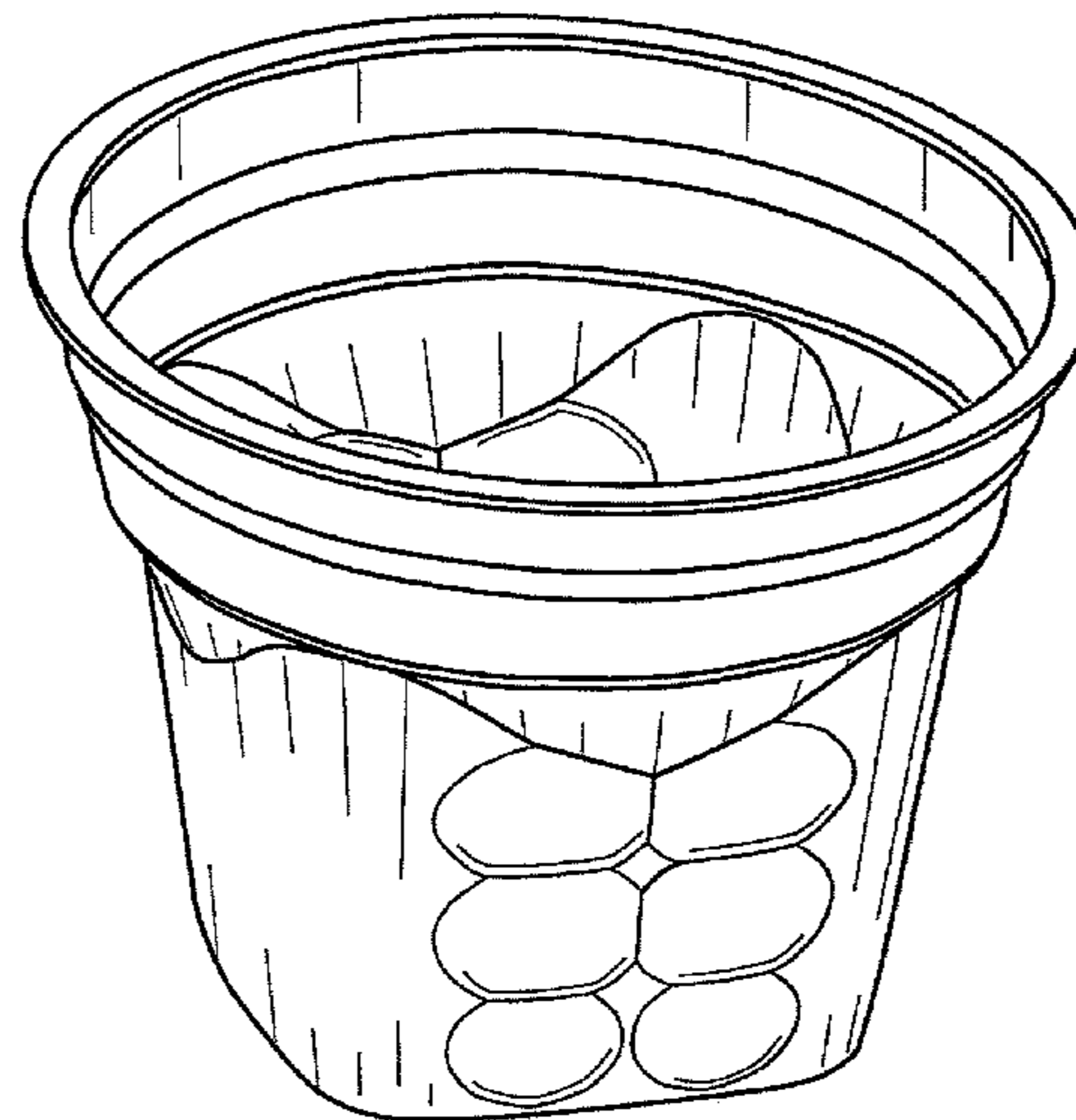
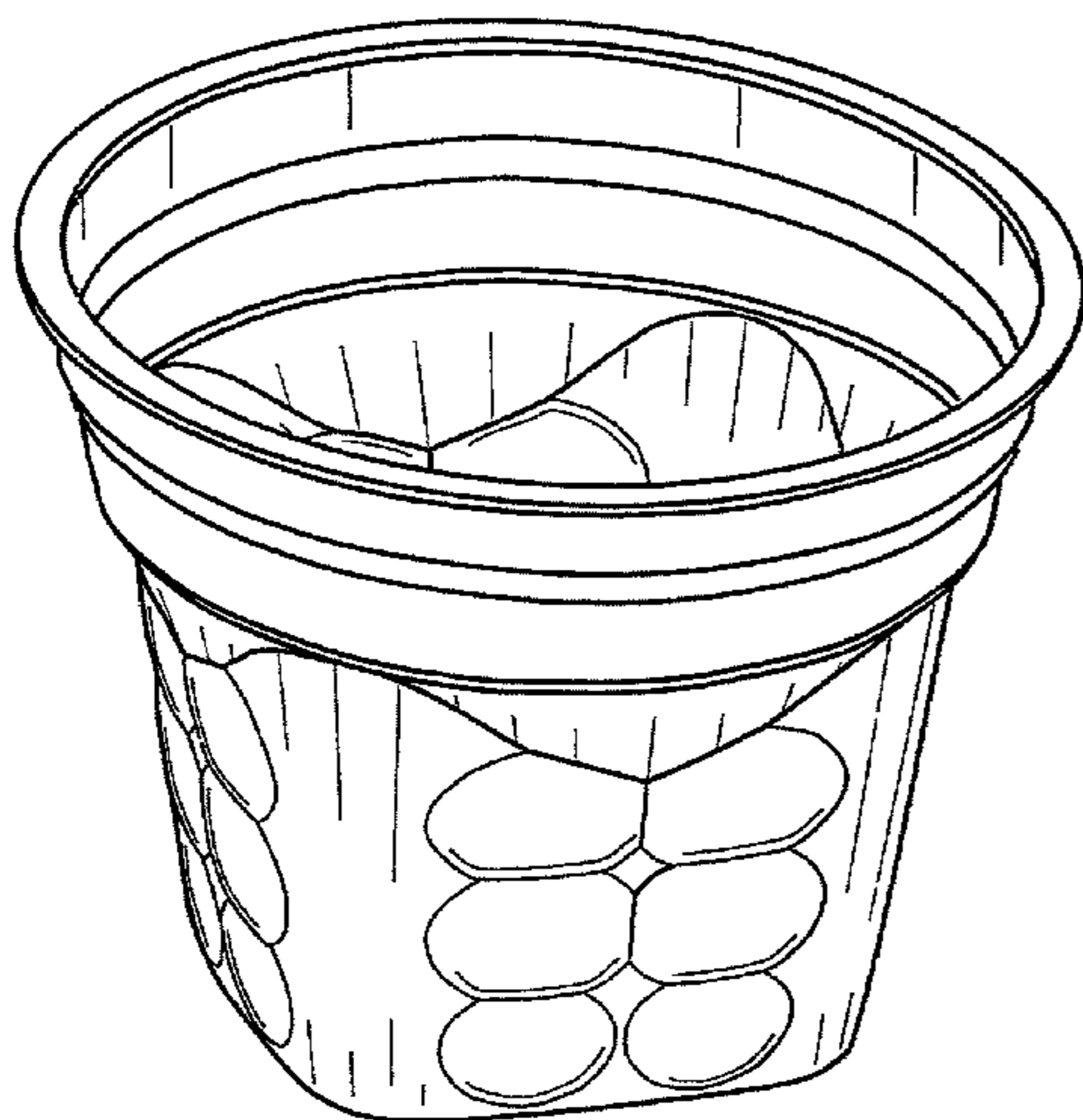
FIG. 6 is a front side view thereof, the back side being identical.

FIG. 7 is a right side view thereof, the left side being identical.

FIG. 8 is a top view thereof; and,

FIG. 9 is a bottom view thereof.

**1 Claim, 5 Drawing Sheets**



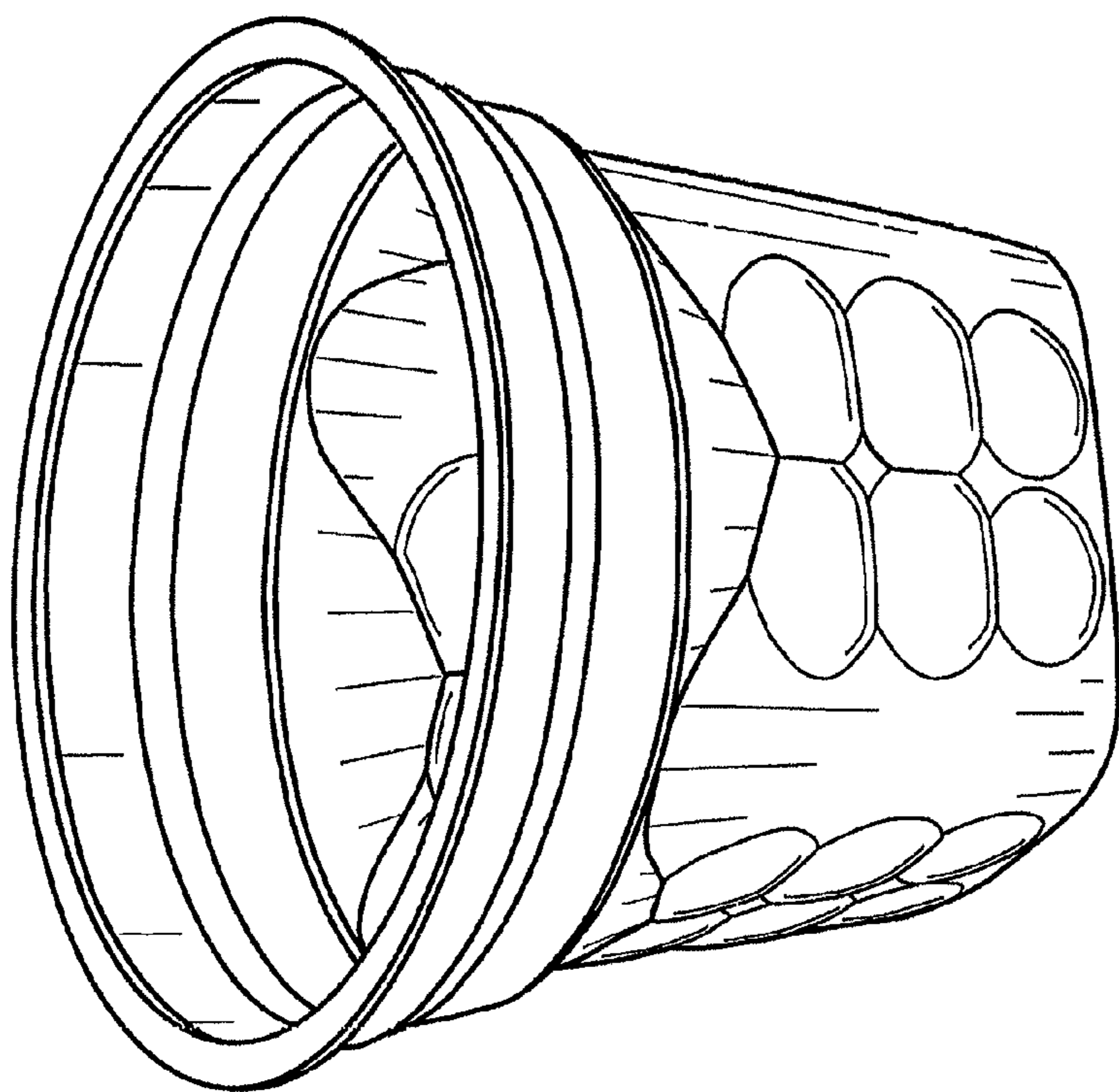


Fig. 1

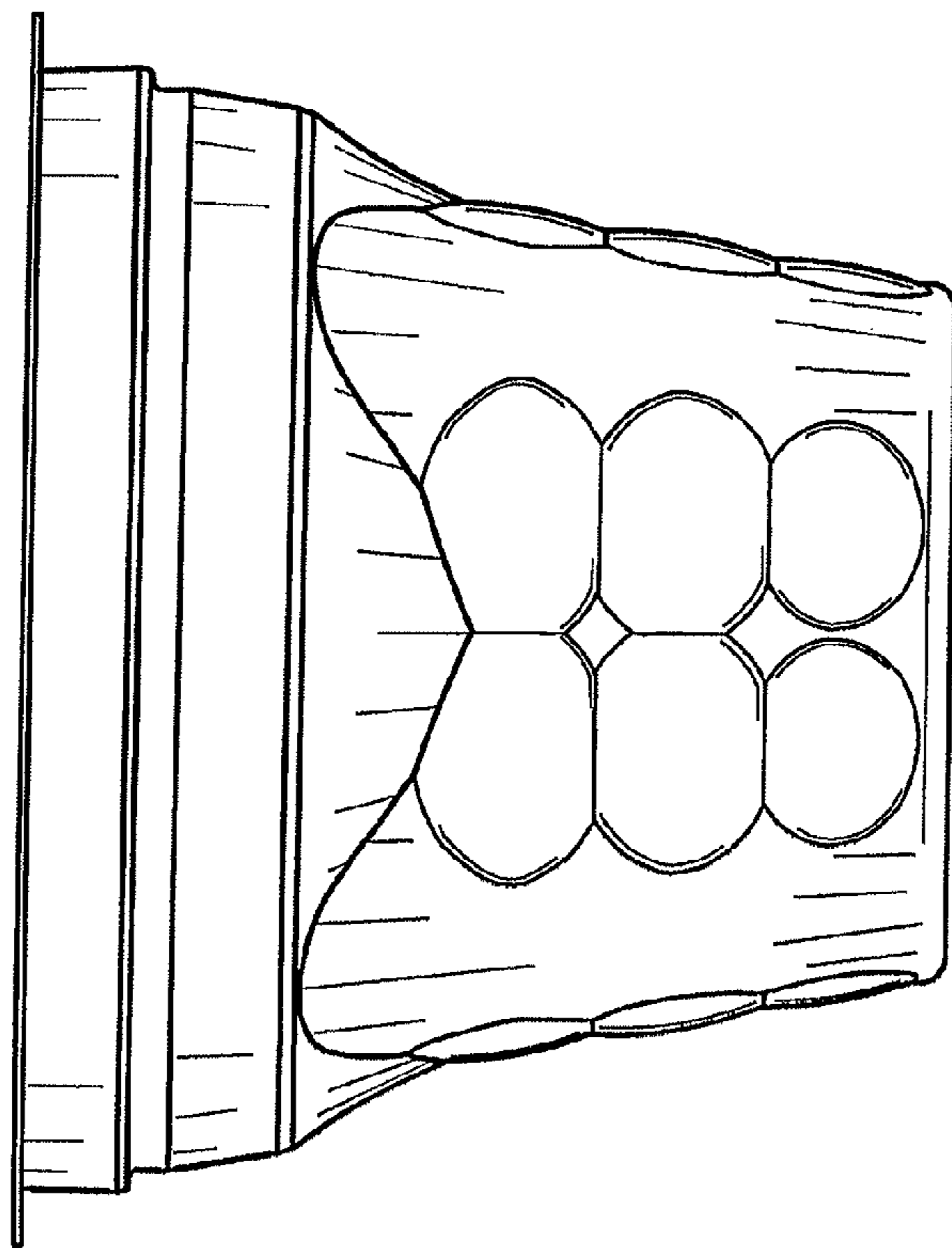


Fig. 2

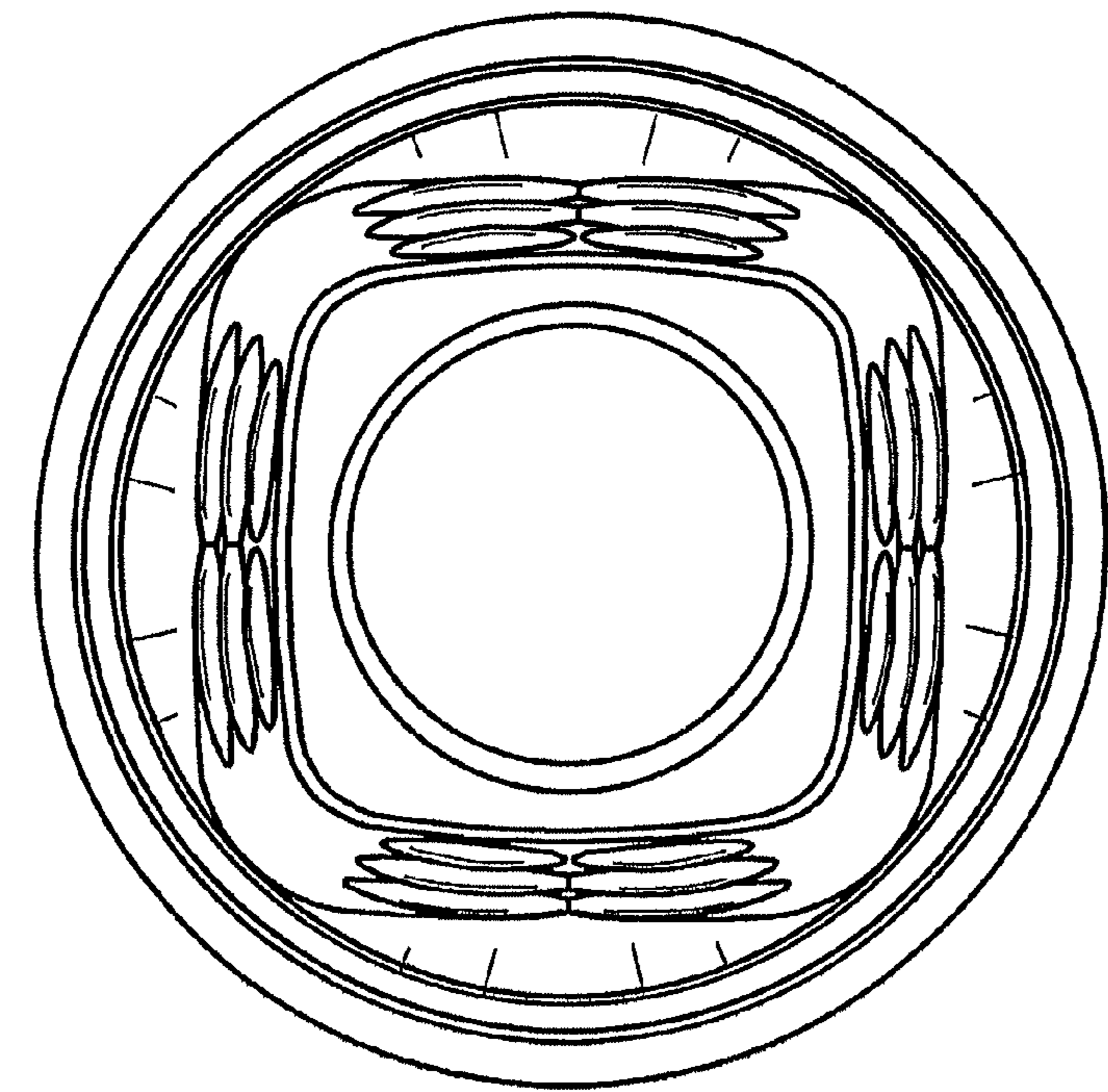


Fig. 4

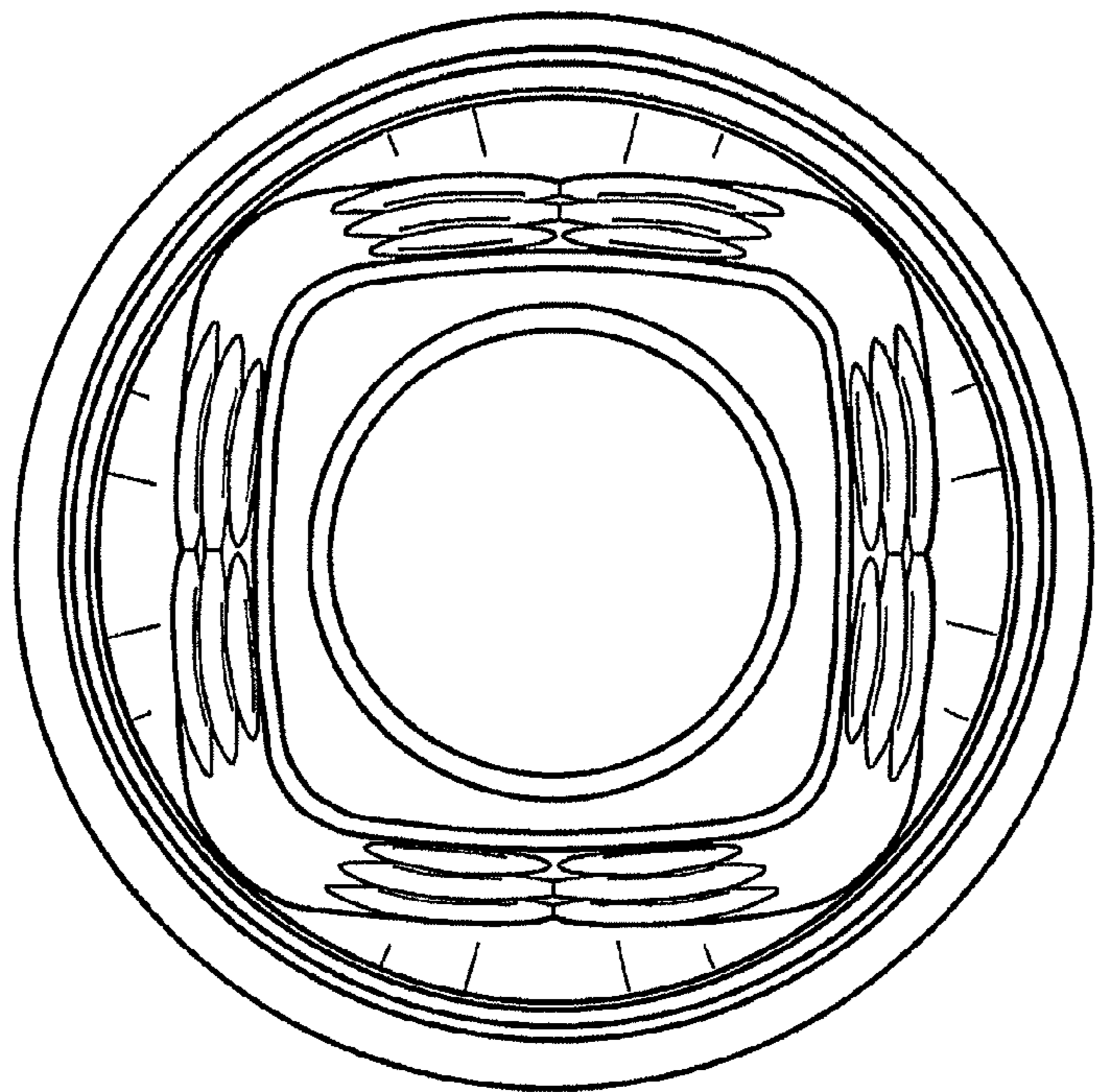


Fig. 3

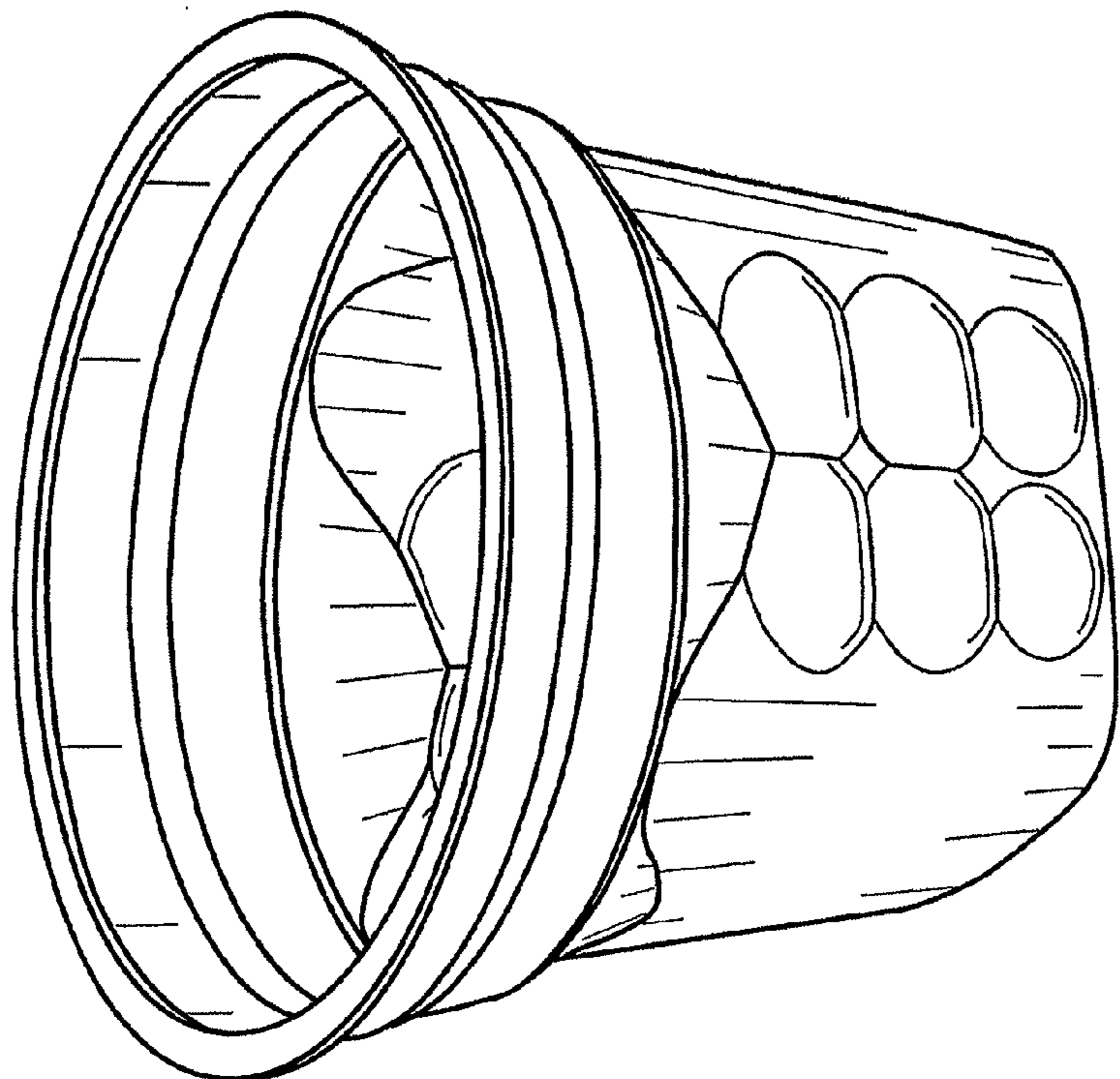


Fig. 5

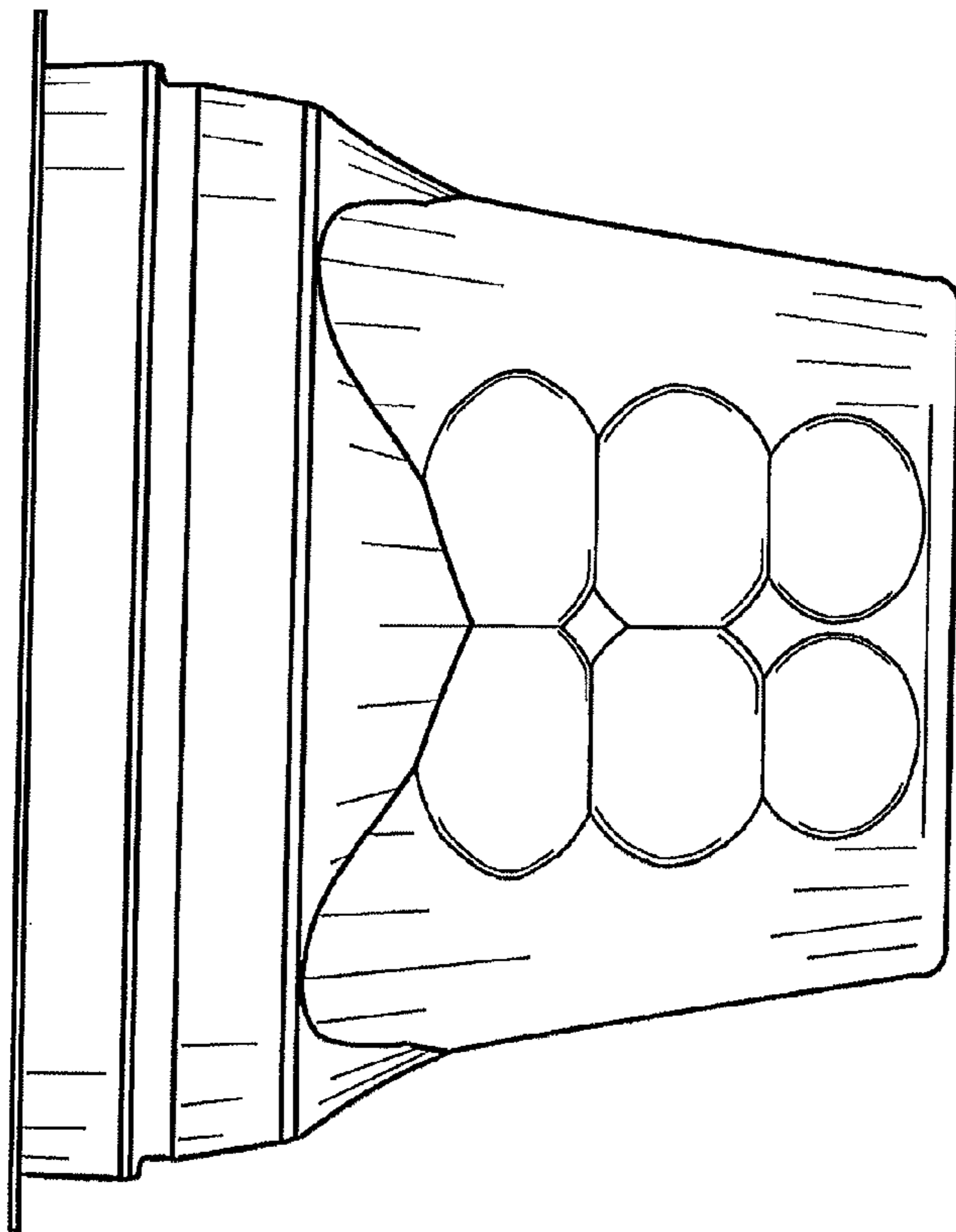


Fig. 6

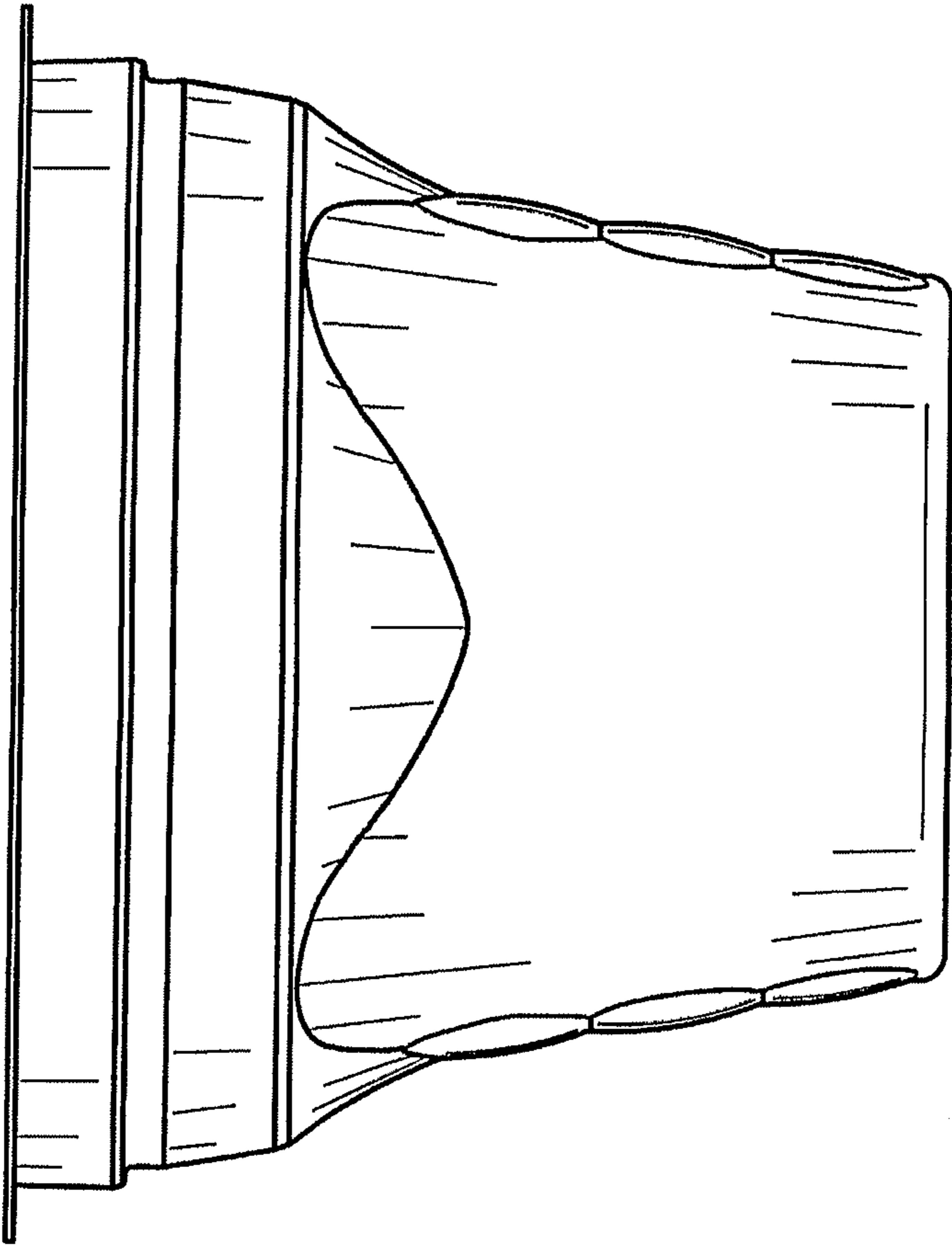


Fig. 7

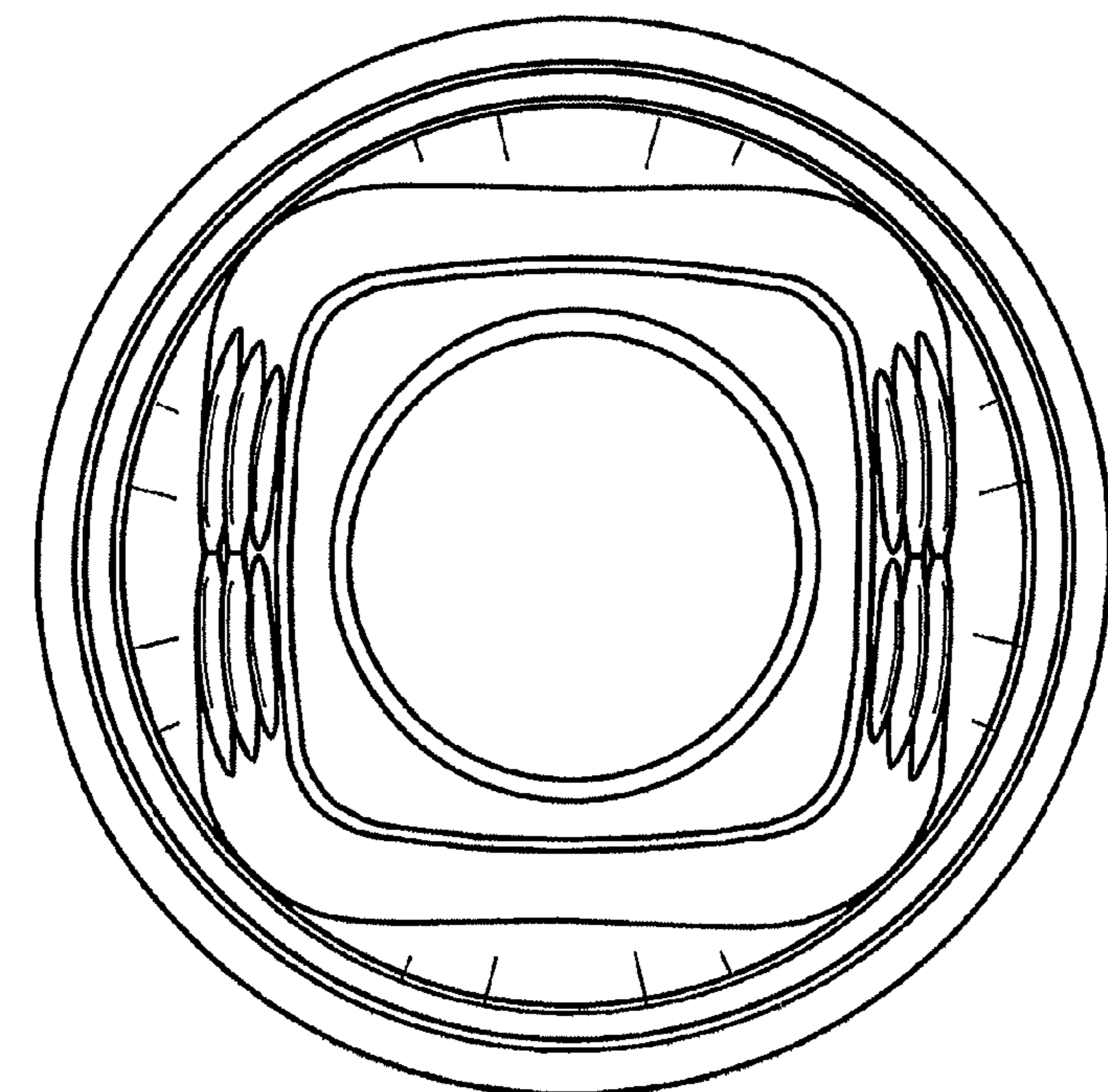


Fig. 9

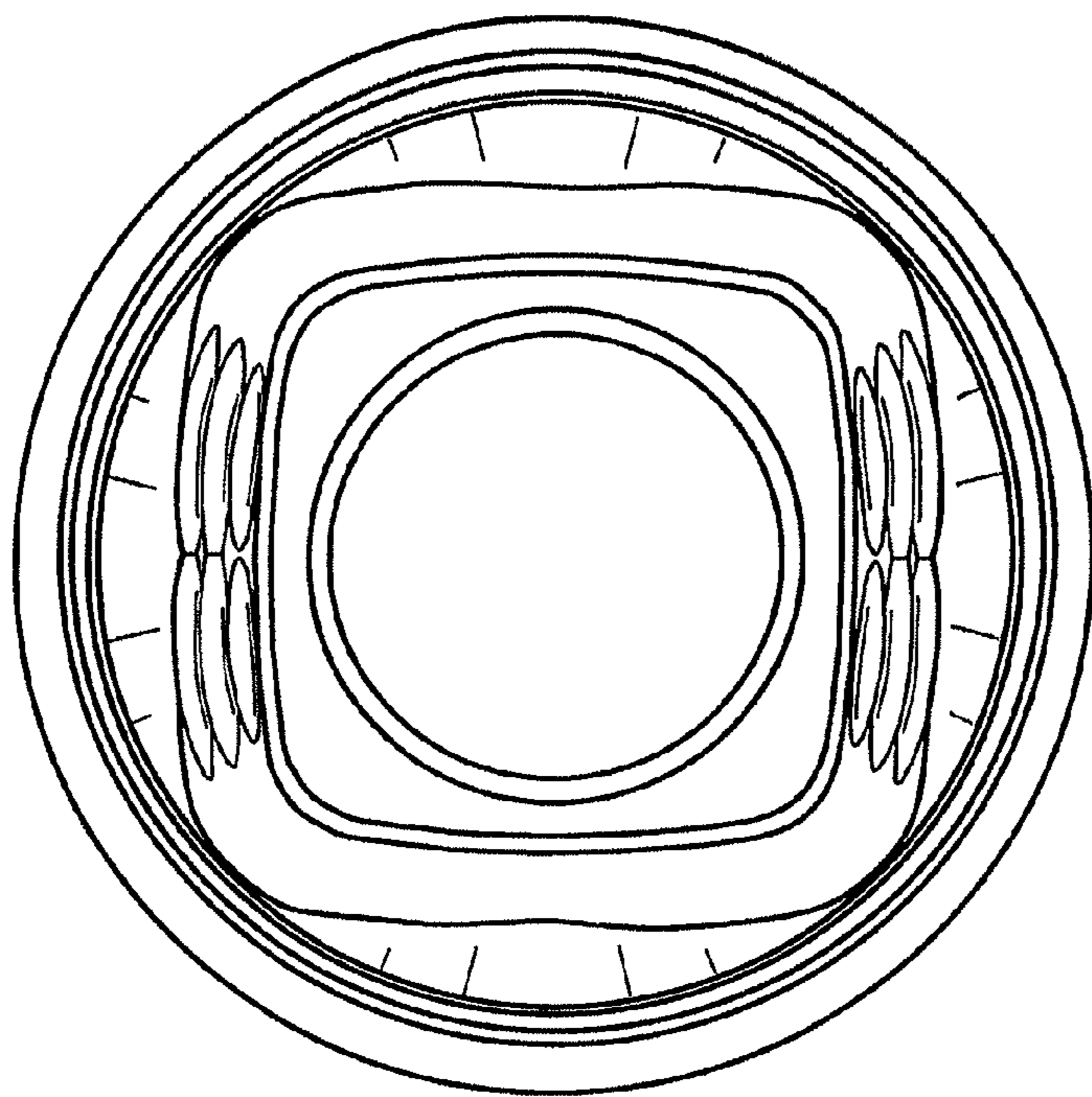


Fig. 8