



US00D720987S

(12) **United States Design Patent**  
**Wichowski**

(10) **Patent No.:** **US D720,987 S**  
(45) **Date of Patent:** **\*\* Jan. 13, 2015**

- (54) **CONTAINER PORTION**
- (71) Applicant: **Hoffmann Neopac AG**, Thun (CH)
- (72) Inventor: **Artur Wichowski**, Lohn-Ammannsegg (CH)
- (73) Assignee: **Hoffmann Neopac AG**, Thun (CH)
- (\*\*) Term: **14 Years**
- (21) Appl. No.: **29/446,685**
- (22) Filed: **Feb. 26, 2013**
- (30) **Foreign Application Priority Data**

Aug. 29, 2012 (WO) ..... DM/079006

- (51) **LOC (10) Cl.** ..... **09-03**
- (52) **U.S. Cl.**  
USPC ..... **D9/420**

- (58) **Field of Classification Search**  
CPC ..... B65D 75/24; B65D 75/32; B65D 75/322  
USPC ..... 229/100, 101, 101.3, 106, 108, 108.1,  
229/116.1, 116.3, 116.5, 121, 122, 201,  
229/213, 221, 222, 227, 922, 939, 942;  
206/225, 233, 278, 297, 299, 389, 391,  
206/409, 457, 494, 770, 737, 812, 822,  
206/824; D3/272, 273, 293-295; D9/414,  
D9/420, 424, 426, 431, 432, 434; D28/78,  
D28/83

See application file for complete search history.

- (56) **References Cited**  
U.S. PATENT DOCUMENTS

D182,255 S \* 3/1958 Smith ..... D9/420  
3,029,937 A \* 4/1962 Vogt ..... 206/525

D231,089 S *	4/1974	Hill	.....	D9/424
D245,579 S	8/1977	Jewell		
D275,165 S *	8/1984	Grusin	.....	D7/602
D280,138 S *	8/1985	Bakic	.....	D28/83
D343,768 S *	2/1994	Cautereels et al.	.....	D7/629
D547,175 S	7/2007	Berg		
D549,119 S	8/2007	Becker		
D592,399 S	5/2009	Sage		
D618,998 S *	7/2010	Pendergrass et al.	.....	D9/424
D640,130 S *	6/2011	Golota et al.	.....	D9/425
8,215,485 B2 *	7/2012	Maroofian et al.	.....	206/445
D701,456 S *	3/2014	Farley et al.	.....	D9/420

\* cited by examiner

*Primary Examiner* — Thomas Johannes

(74) *Attorney, Agent, or Firm* — Blue Filament Law PLLC;  
Avery N. Goldstein

(57) **CLAIM**

The ornamental design for a container portion, as shown and described.

**DESCRIPTION**

FIG. 1 is a front aerial perspective view of a container portion showing my new design with an unclaimed complementary joining portion;

FIG. 2 is a top view thereof without the unclaimed complementary joining portion;

FIG. 3 is a front view thereof, where a rear view is a mirror image thereto;

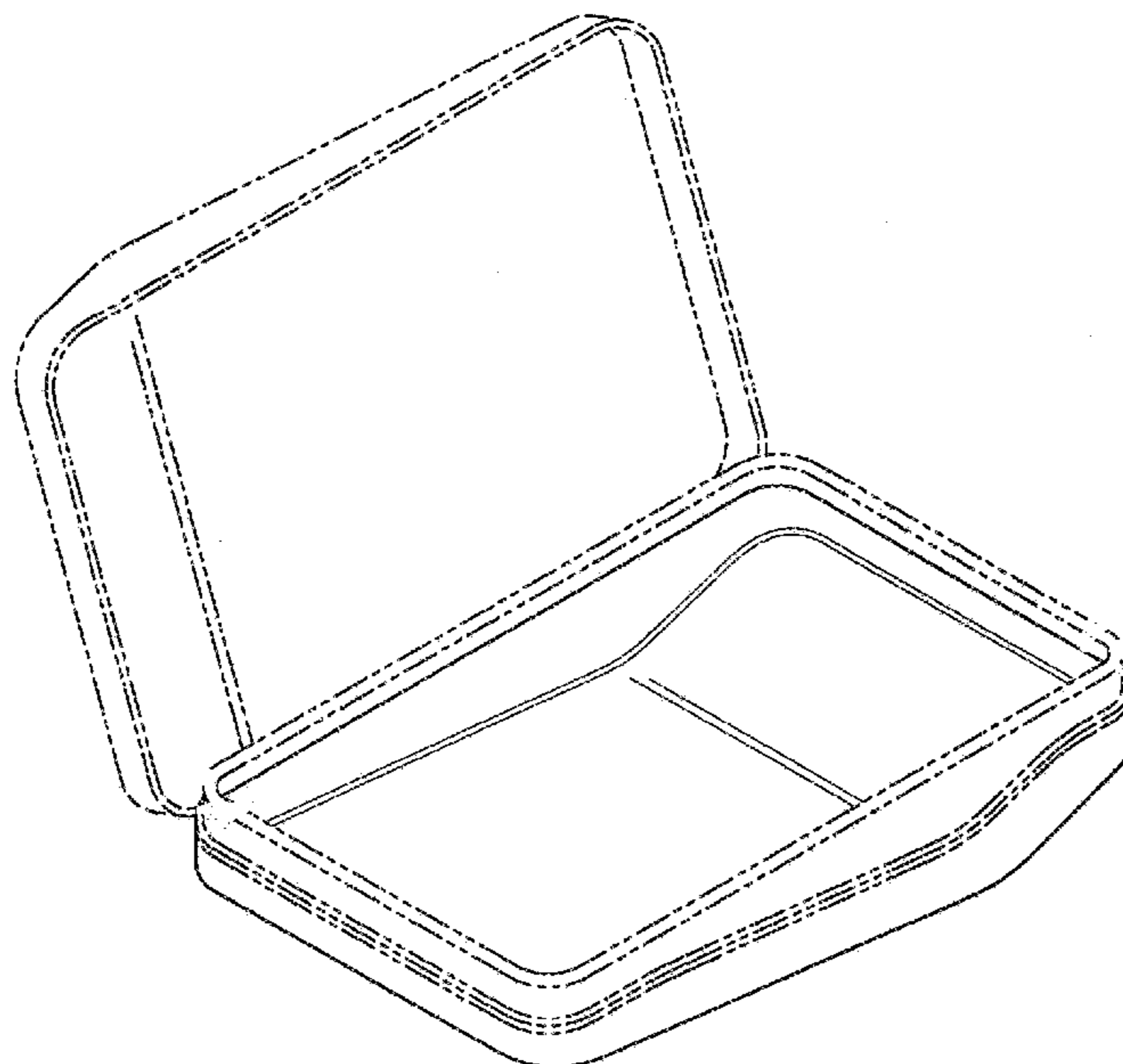
FIG. 4 is a first side view thereof;

FIG. 5 is an opposing side view thereof; and,

FIG. 6 is a bottom view thereof.

The broken line portion of the figure drawings is included to show unclaimed subject matter only and forms no part of the claimed design.

**1 Claim, 2 Drawing Sheets**



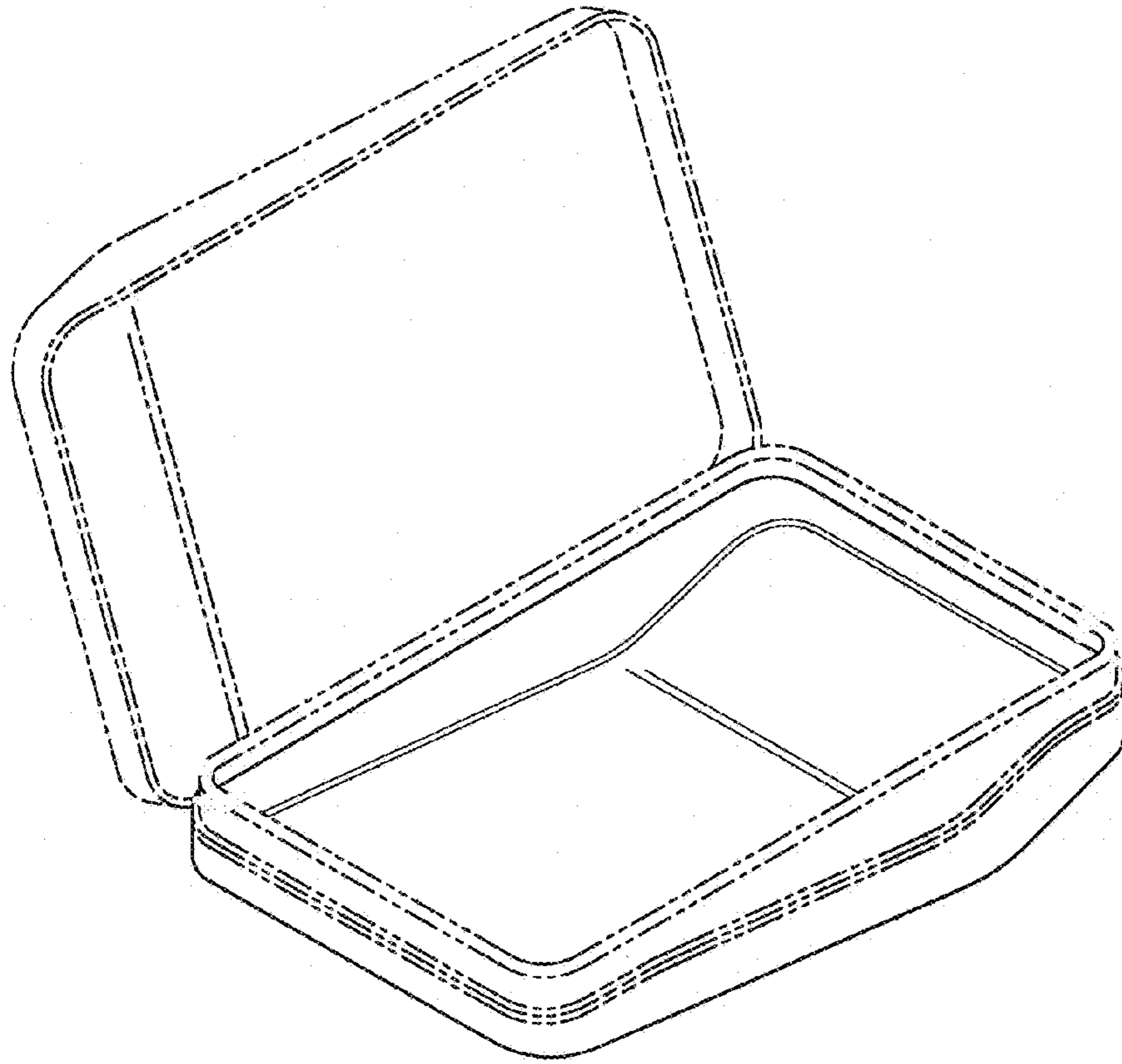


FIG. 1

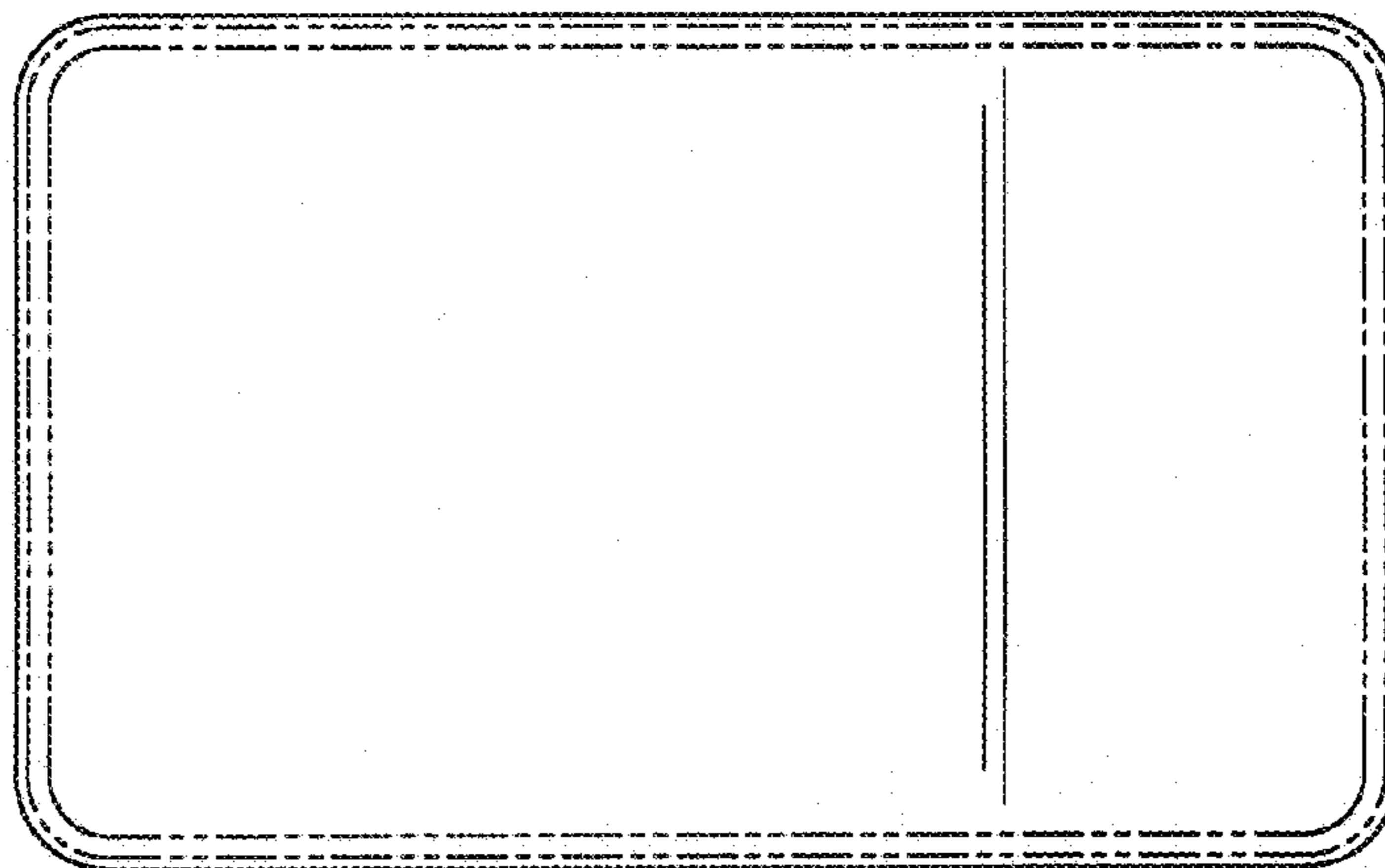


FIG. 2

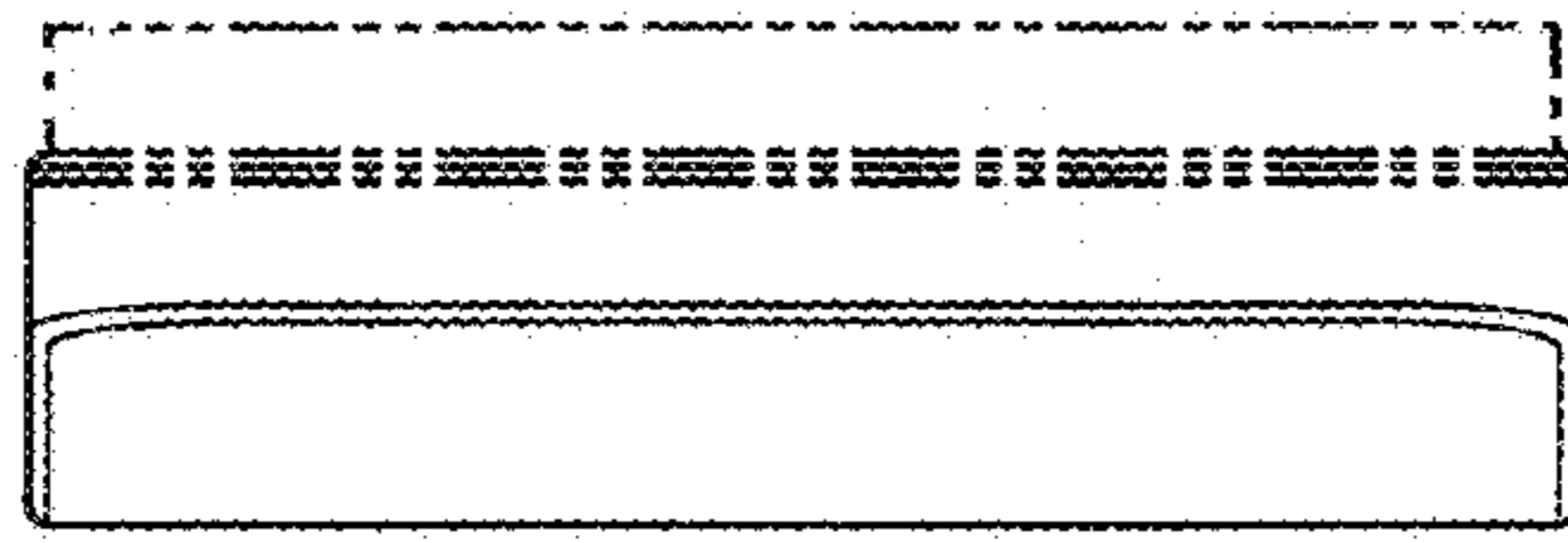


FIG. 3

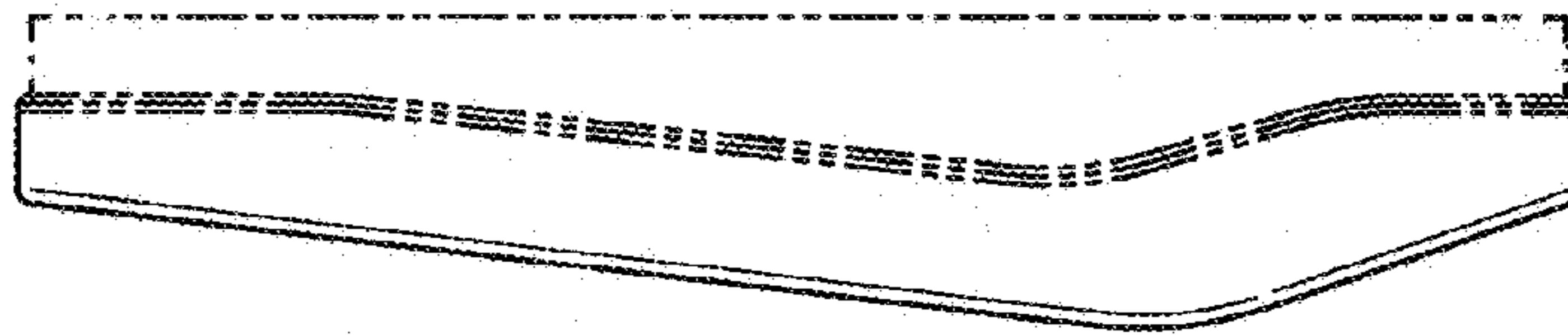


FIG. 4

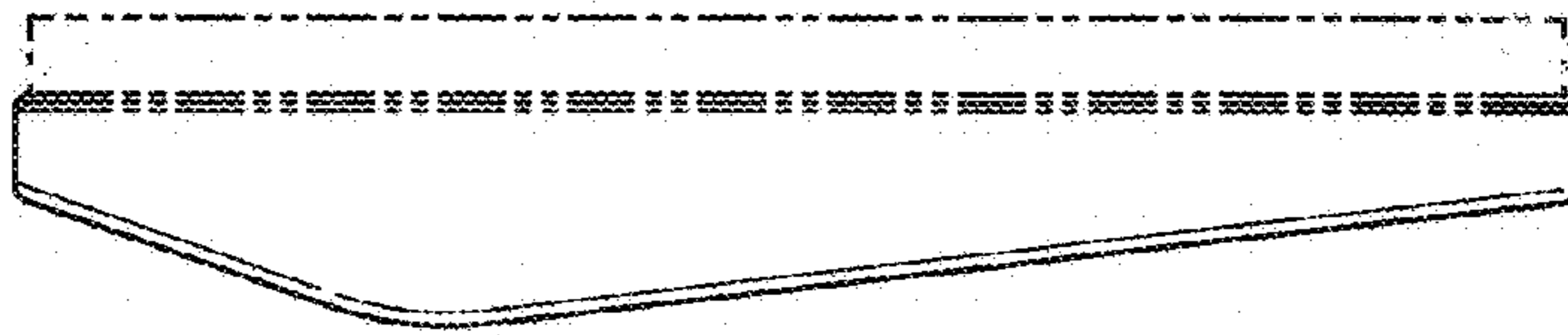


FIG. 5

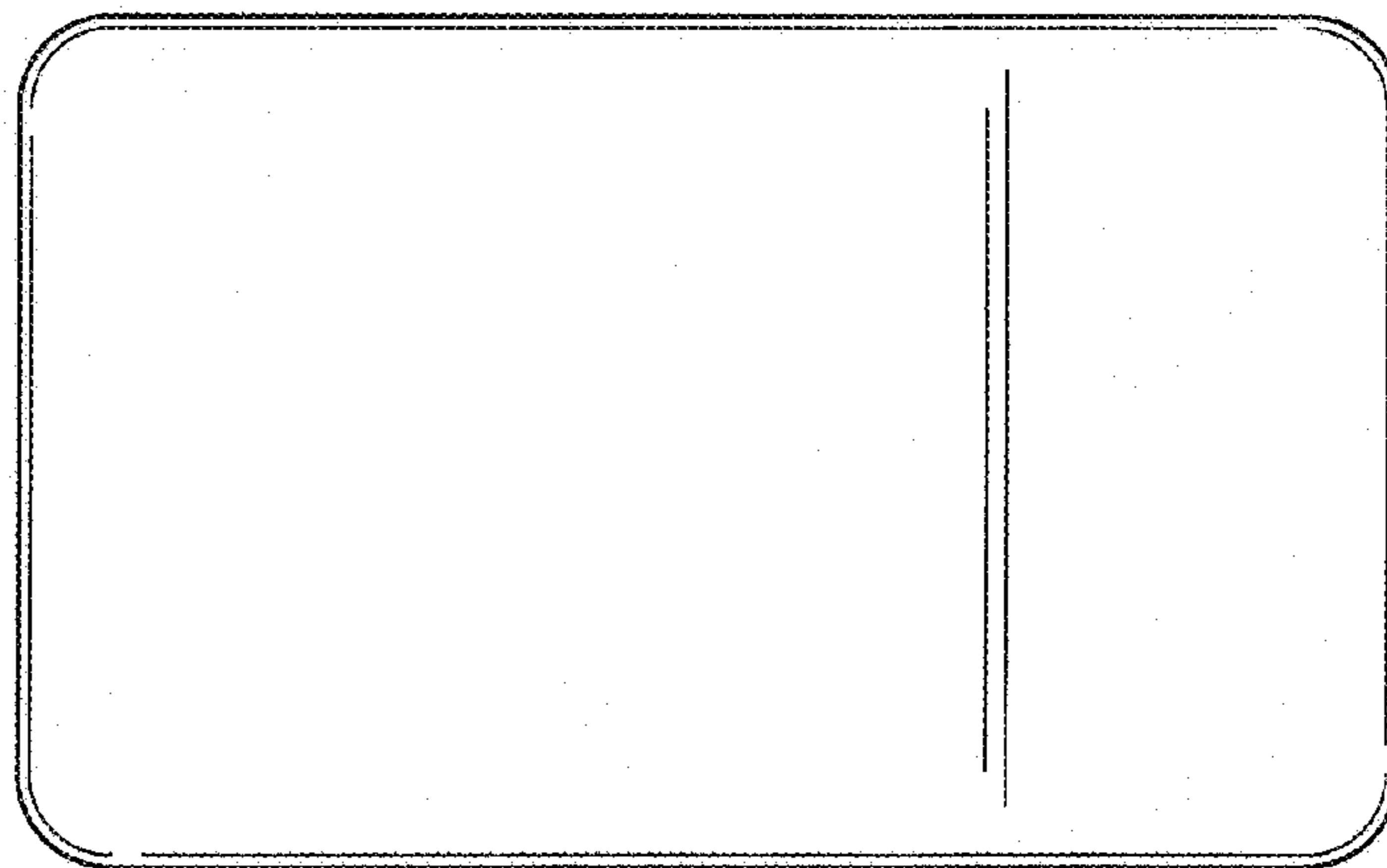


FIG. 6