



US00D720985S

(12) **United States Design Patent**
Veilleux

(10) **Patent No.:** **US D720,985 S**

(45) **Date of Patent:** **** Jan. 13, 2015**

(54) **PANEL HOOK DOUBLE SIDE**

(71) Applicant: **David Veilleux**, Stillwater, MN (US)

(72) Inventor: **David Veilleux**, Stillwater, MN (US)

(**) Term: **14 Years**

(21) Appl. No.: **29/482,969**

(22) Filed: **Feb. 24, 2014**

(51) **LOC (10) Cl.** **08-05**

(52) **U.S. Cl.**
USPC **D8/367**

(58) **Field of Classification Search**
CPC A47G 1/00; A47G 25/00
USPC D8/367, 354, 349, 373, 372; D6/323;
248/301-304, 339
See application file for complete search history.

(56) **References Cited**

U.S. PATENT DOCUMENTS

6,669,157 B1 * 12/2003 Willin et al. 248/311.2
D572,116 S * 7/2008 Schaefer D8/354
D601,880 S * 10/2009 Veilleux D8/367

D629,673 S * 12/2010 Shaha et al. D8/367
D655,150 S * 3/2012 Alderman D8/367
D688,936 S * 9/2013 Chen D8/354
D700,044 S * 2/2014 Goodman et al. D8/372

* cited by examiner

Primary Examiner — Cynthia Underwood

(74) *Attorney, Agent, or Firm* — James A. Italia; Italia IP

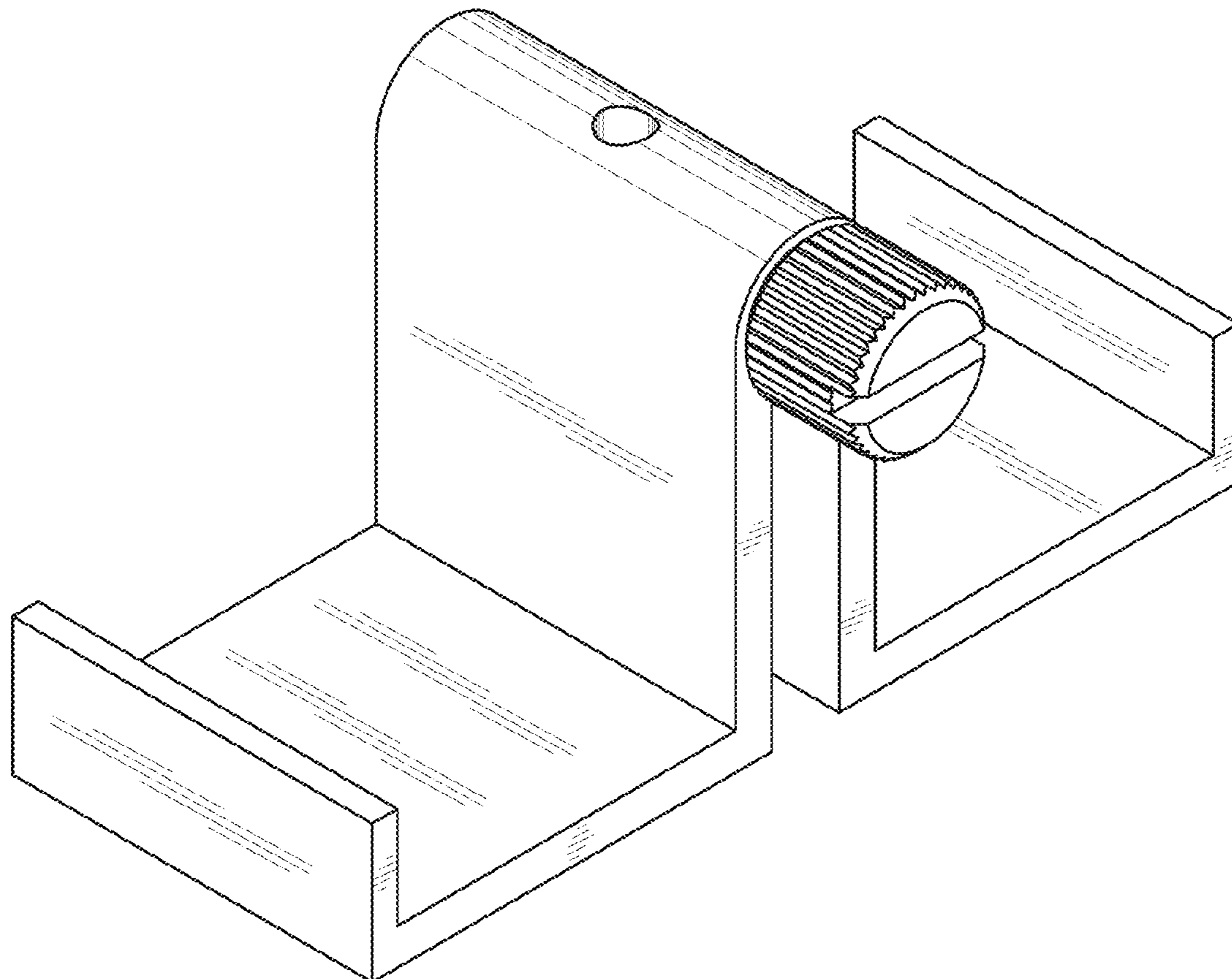
(57) **CLAIM**

The ornamental design for a panel hook double side, as shown and described.

DESCRIPTION

FIG. 1 is a perspective view of a panel hook double side, showing my new design;
FIG. 2 is a front elevational view of the invention;
FIG. 3 is a rear elevational view of the invention;
FIG. 4 is a right-side elevational view of the invention;
FIG. 5 is a left-side elevational view of the invention;
FIG. 6 is a top plan view of the invention; and,
FIG. 7 is a bottom plan view of the invention.
The broken line showing the environment is for illustrative purposes only and forms no part of the claimed design.

1 Claim, 4 Drawing Sheets



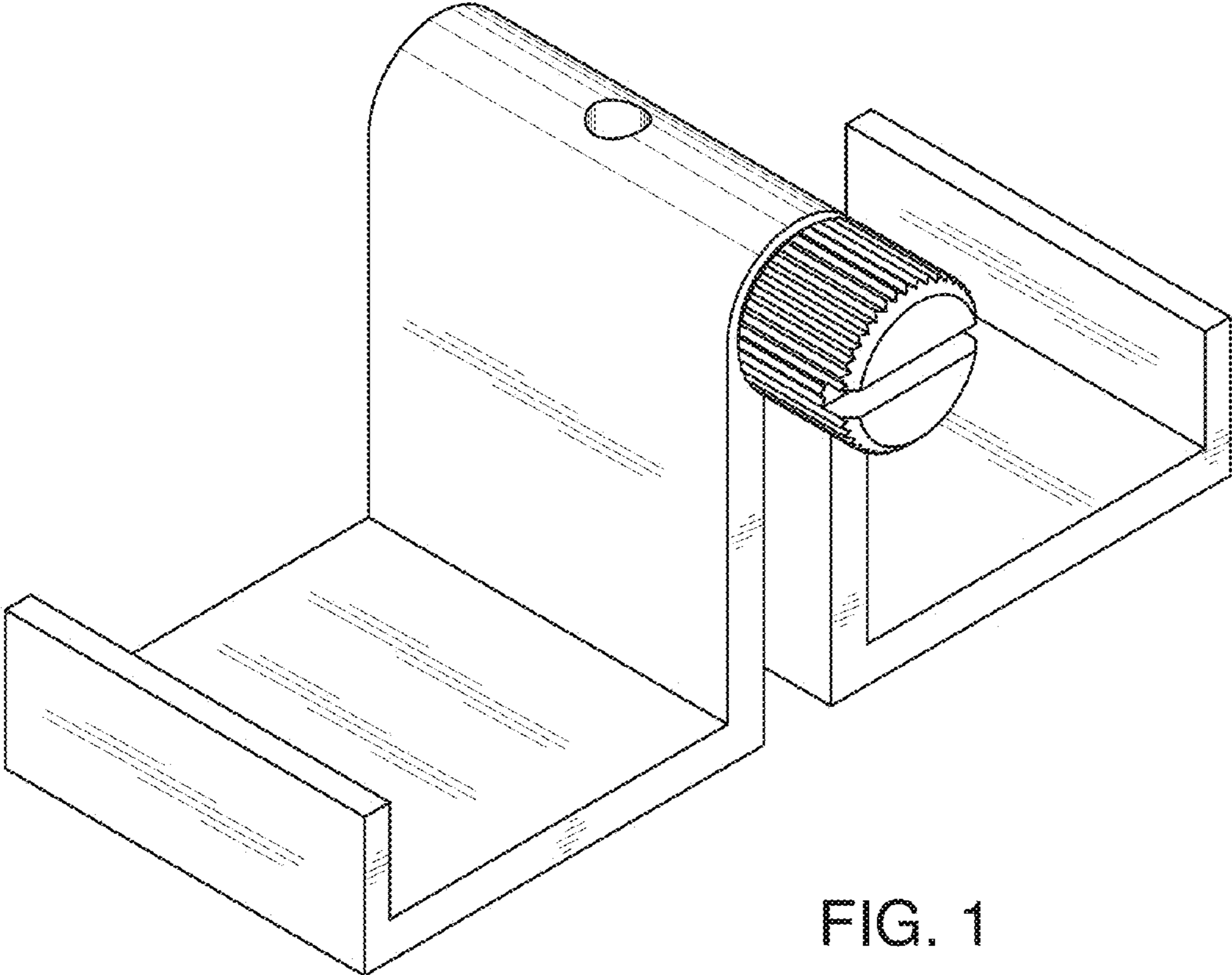


FIG. 1

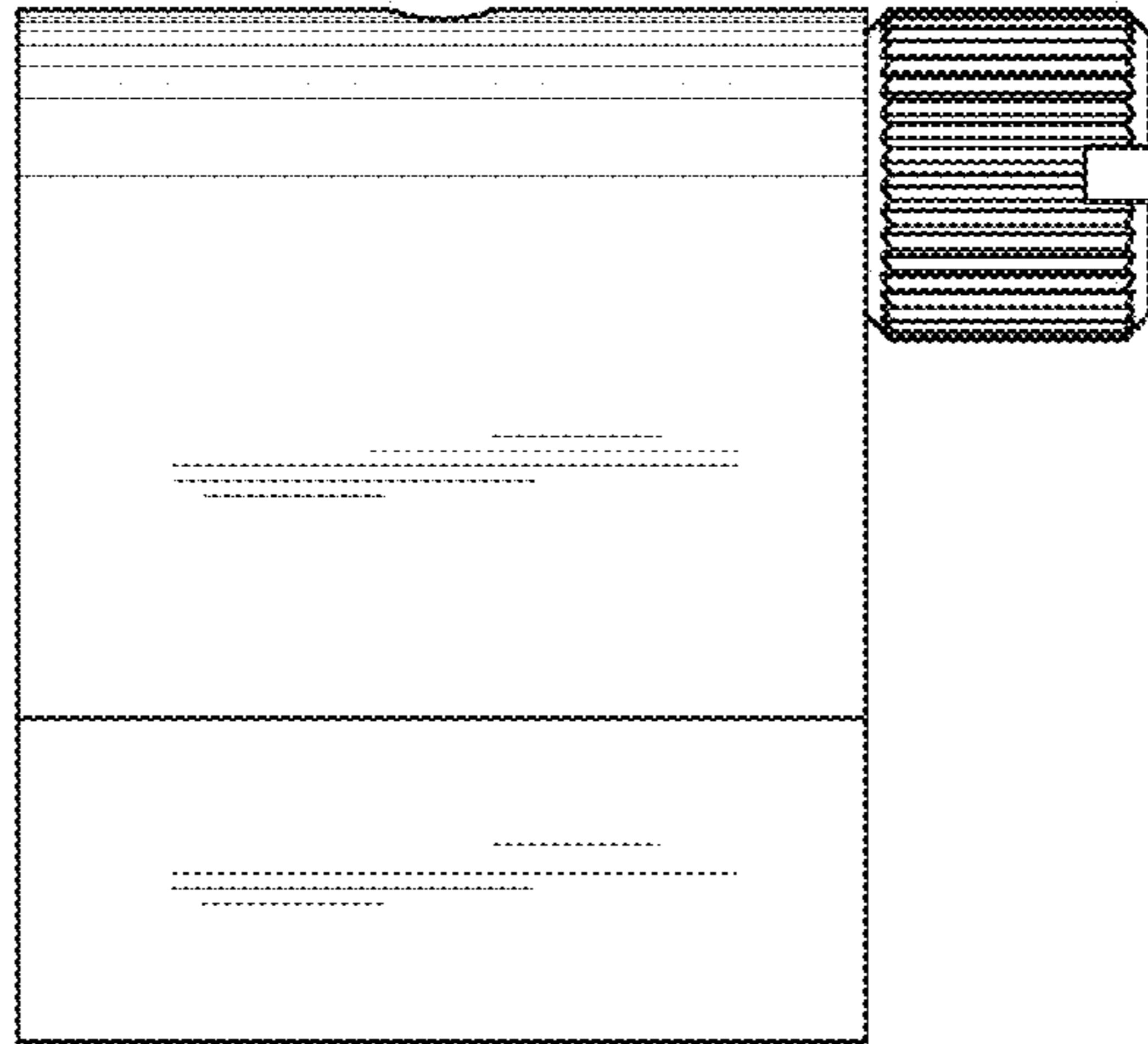


FIG. 2

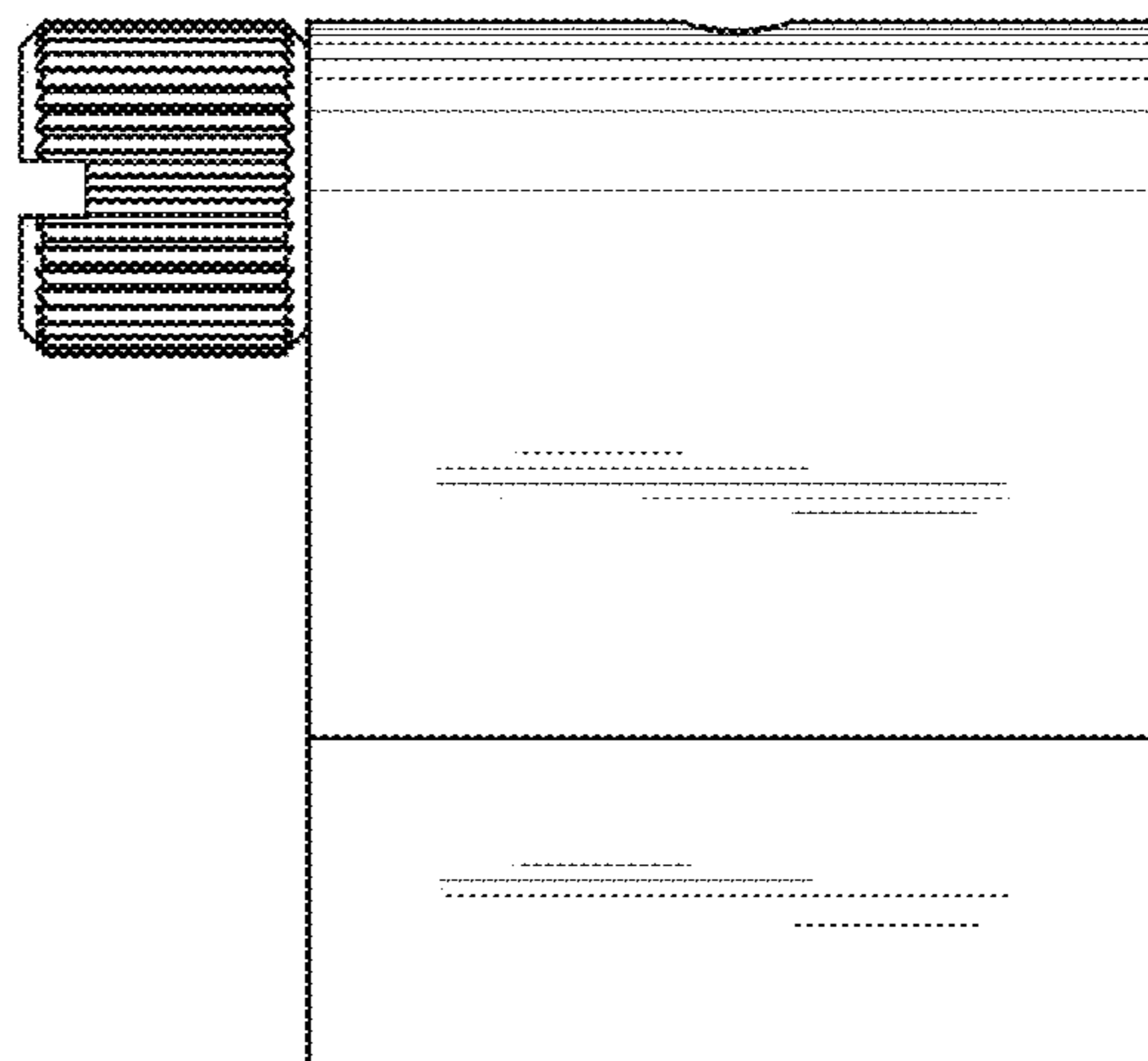


FIG. 3

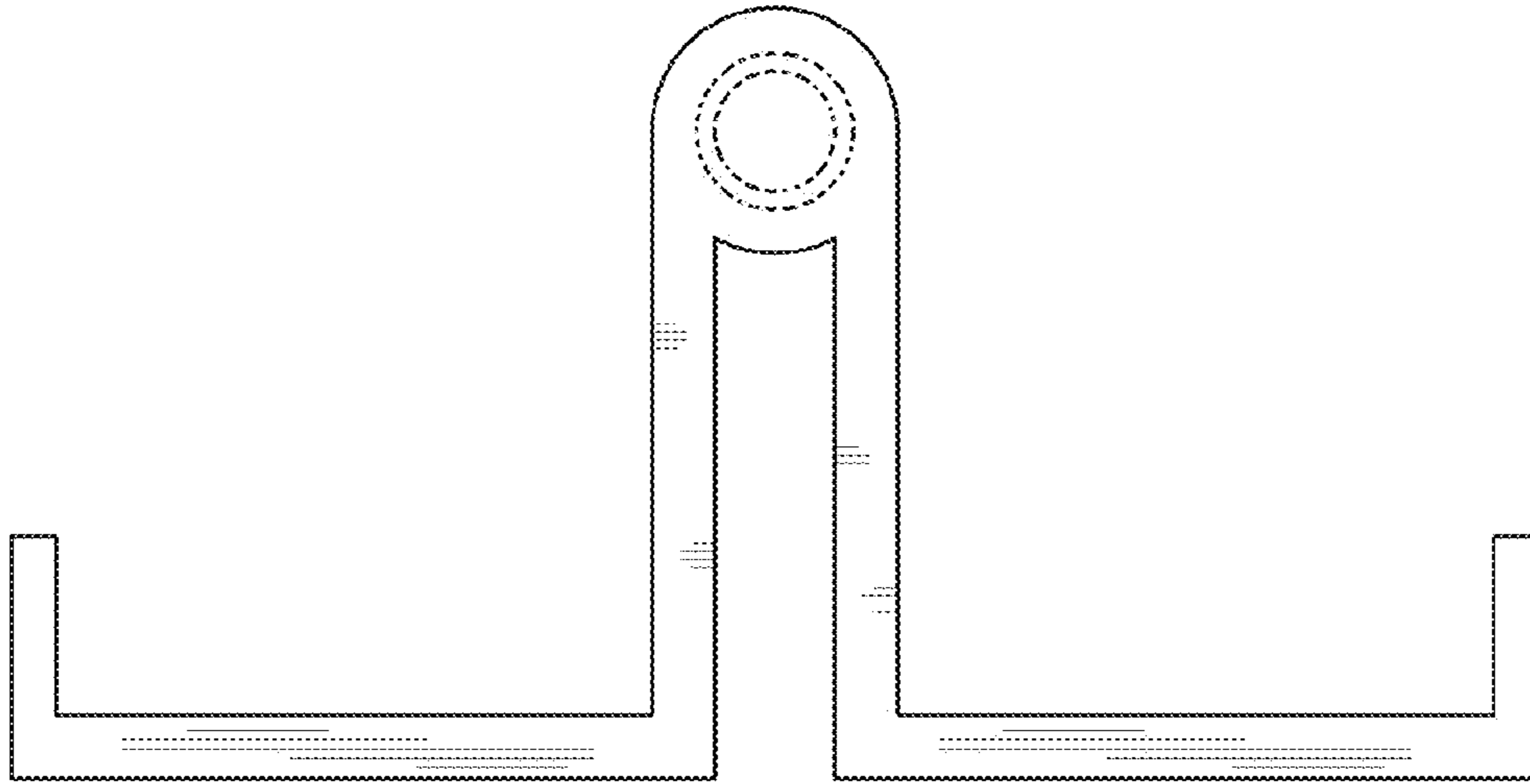


FIG. 4

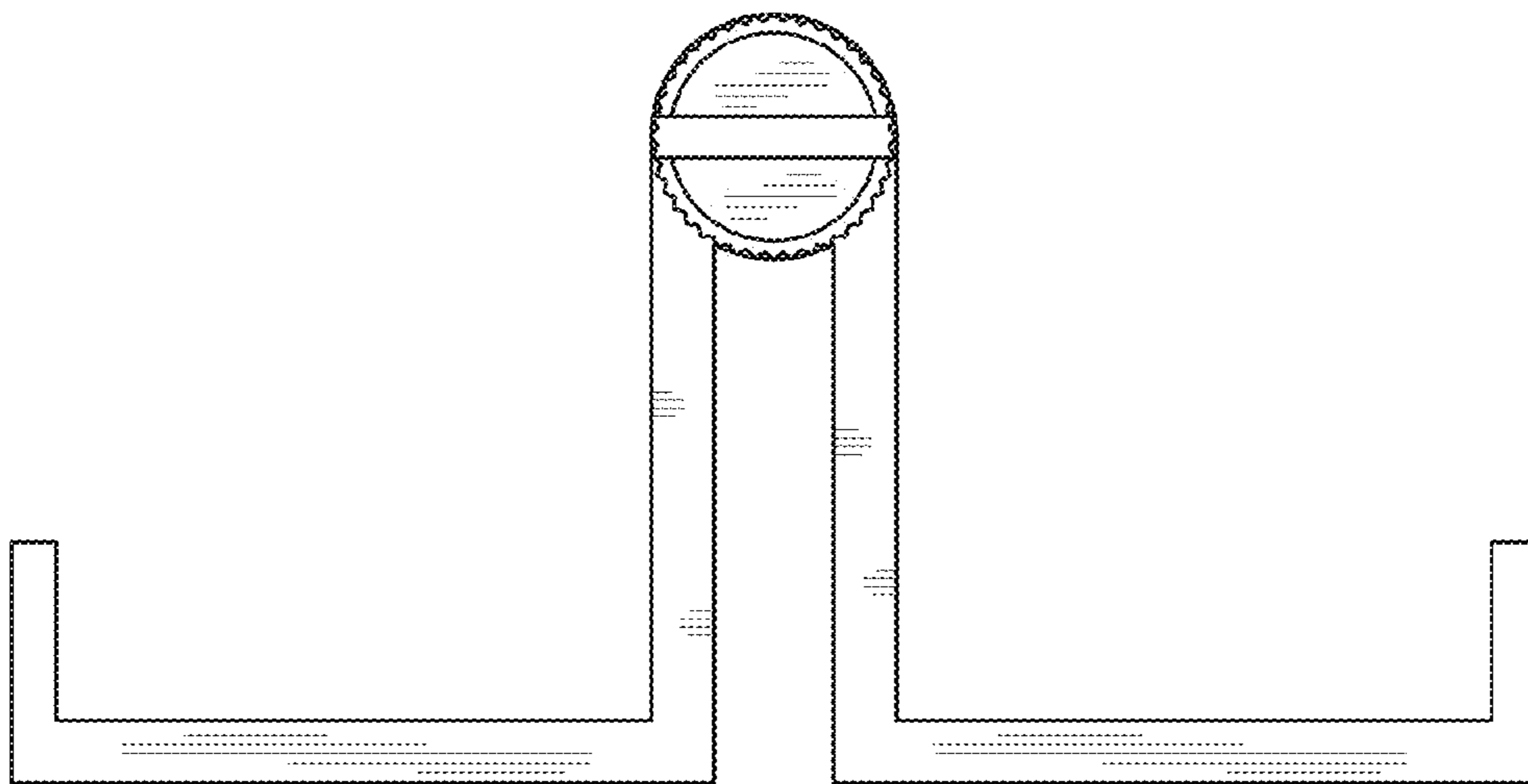


FIG. 5

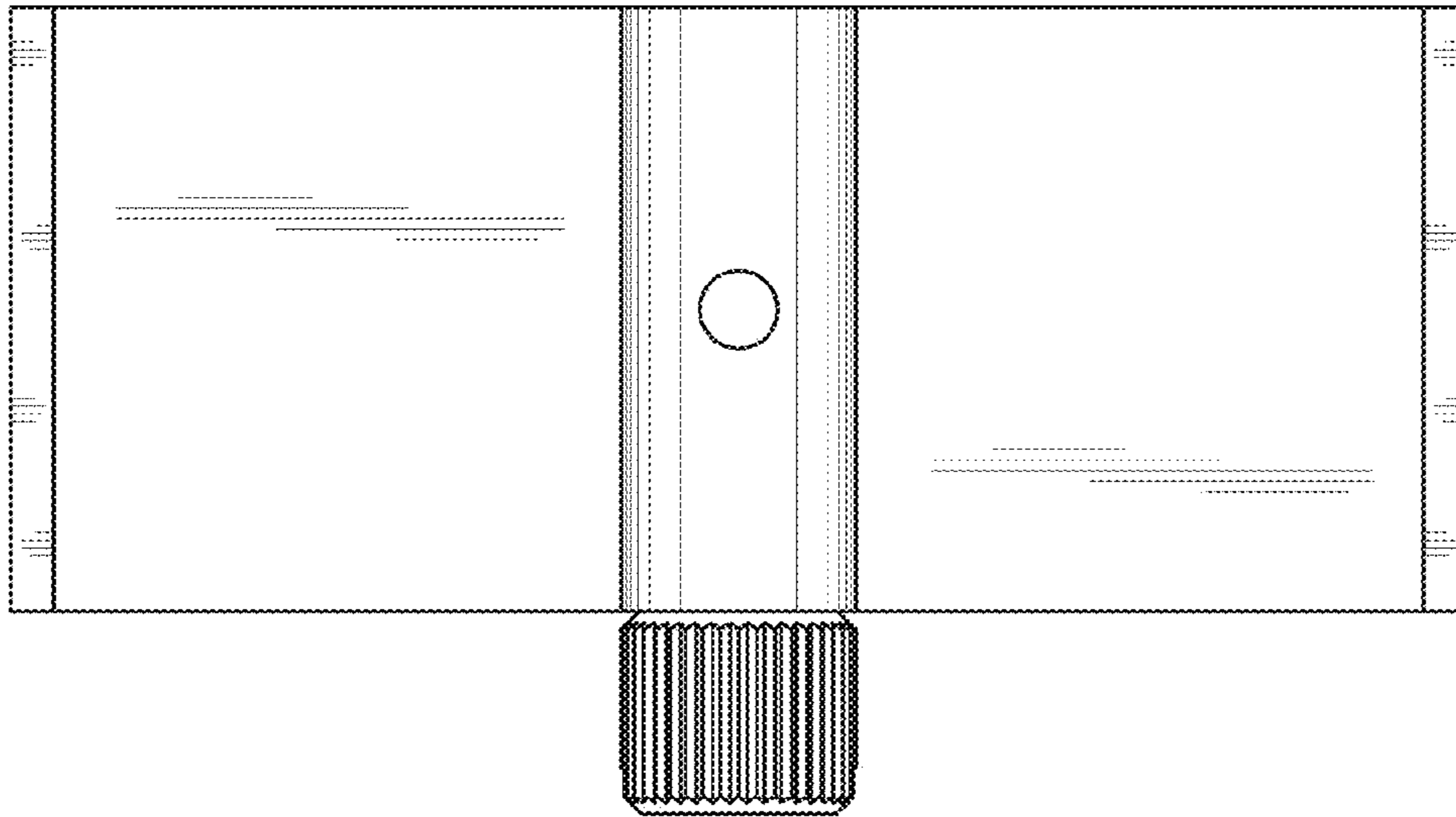


FIG. 6

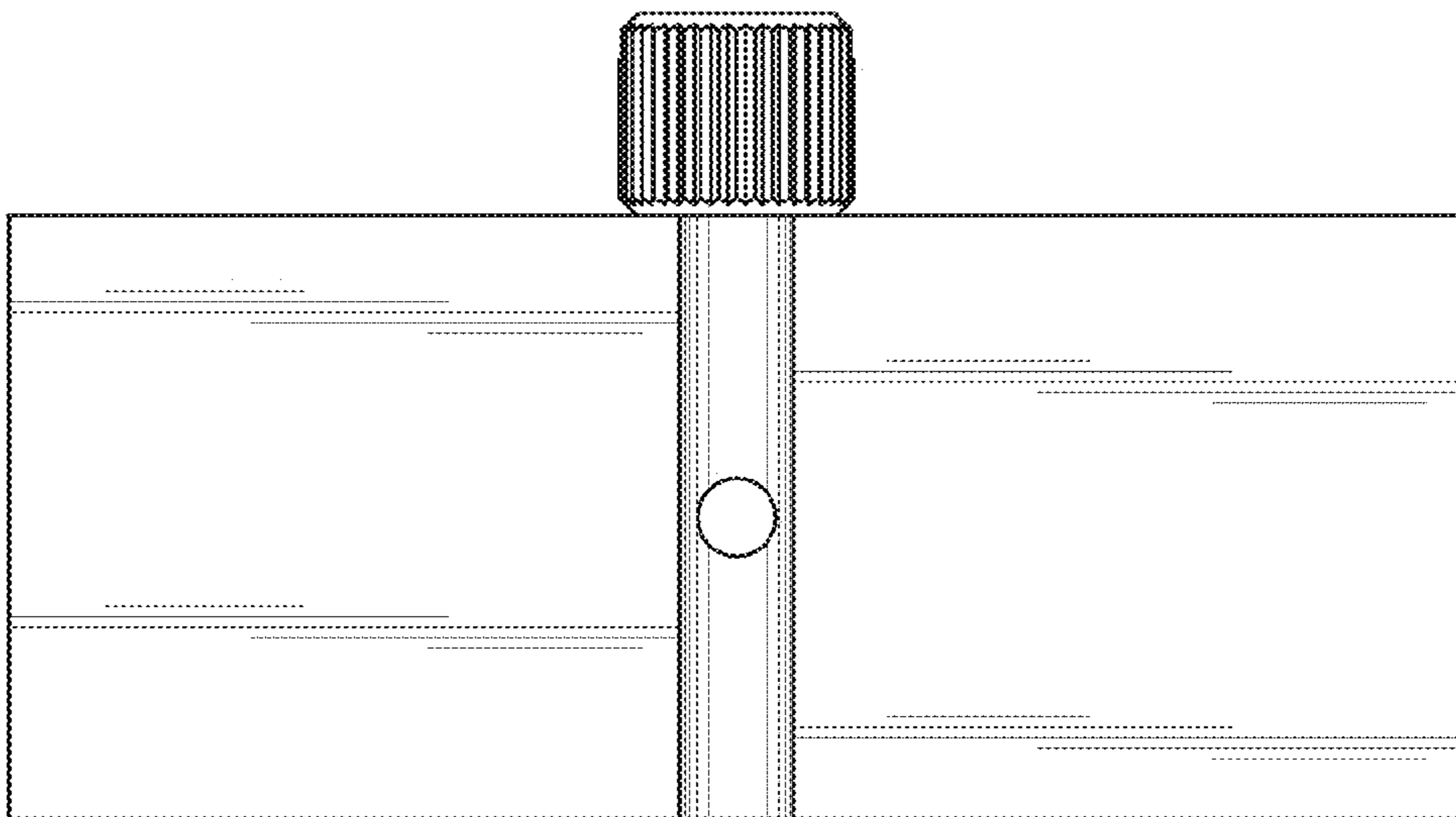


FIG. 7